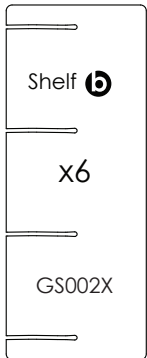
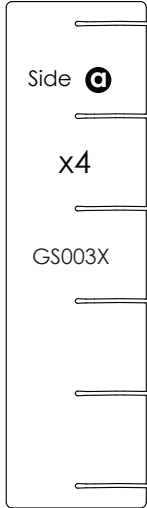
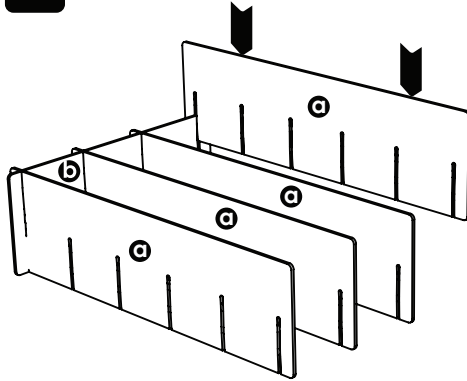


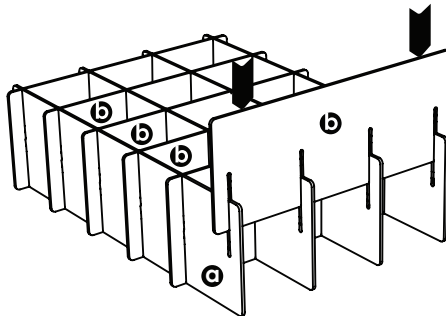
Parts



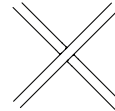
- 1** Assemble one shelf **b** and all 4 of the sides **a**.



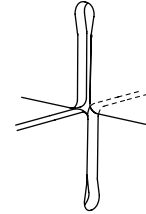
- 2** Slide in the remaining shelves **b**, one by one. Press them down tight until they are flush with the sides **a**.



Note: To assembly correctly, align the slots perpendicularly to each other.



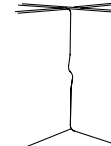
top view



Press the slots to the locked position. This will require some force. For easiest assembly, position yourself above the joint and use your weight to press down. There should be no room between the slots when you are done.



Unlocked



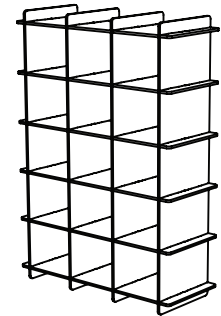
Locked

sprout

Simple. Modern. American Made.



Watch our Assembly Video at
sprout-kids.com/gssa
Or talk to our customer service agent at :
(877) 765-7860



- Adult assembly only
- Weight capacity 120 lbs
- Assemble completely before use