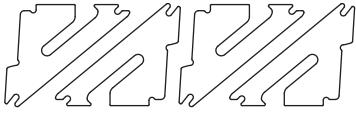


1 Insert each bracket into leg in and out 3x. This crushes the wood slightly and ensures a snug fit.

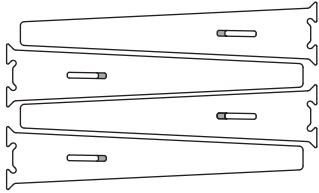
SLANTED SURFACE*
FACING OUTWARD

Parts

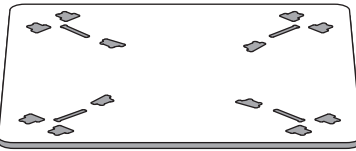
(a) (4) Brackets



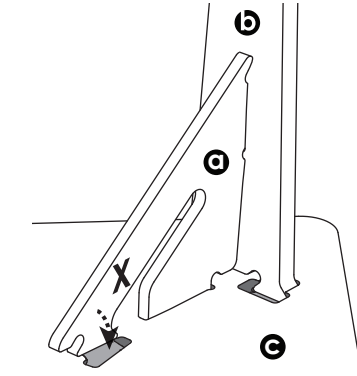
(b) (4) Legs



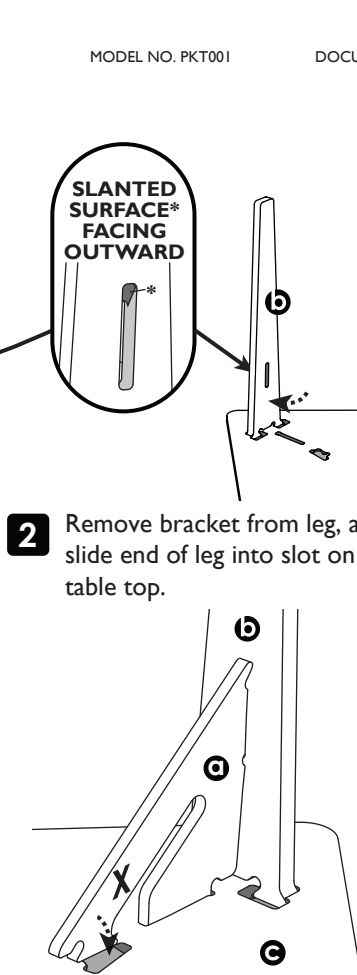
(c) (1) Tabletop



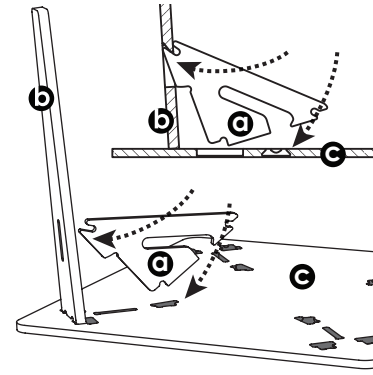
2 Remove bracket from leg, and slide end of leg into slot on table top.



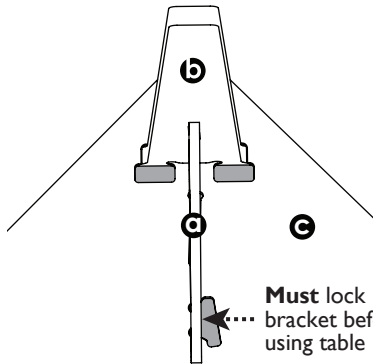
4 Bend tip **X** of bracket over and down into slot.



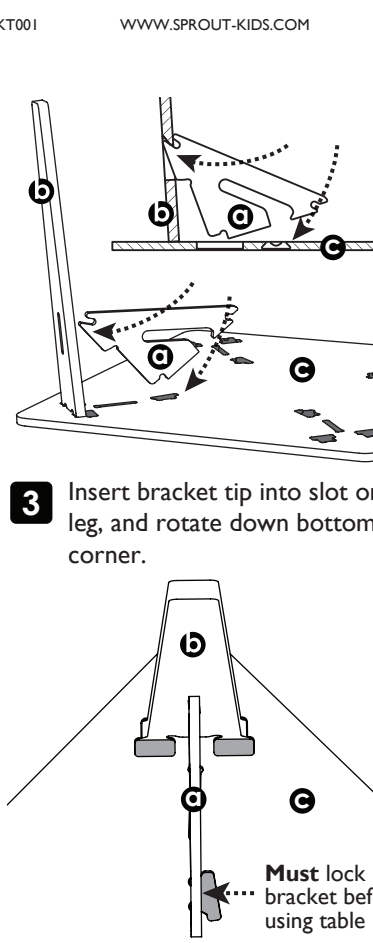
4 Bend tip **X** of bracket over and down into slot.



3 Insert bracket tip into slot on leg, and rotate down bottom corner.



5 Push bracket in to lock in place. Repeat steps 1-3 for each leg.



5 Push bracket in to lock in place. Repeat steps 1-3 for each leg.



Simple. Modern. American Made.



Need Help?

Watch our Assembly Video at sprout-kids.com/pbj

Or talk to our customer service agent at : +1 (833) 530-0033



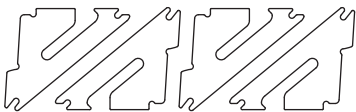
- ⚠ Adult assembly only
- ⚠ Assemble completely before use
- Weight capacity 150 lbs

1 Insert each bracket into leg in and out 3x. This crushes the wood slightly and ensures a snug fit.

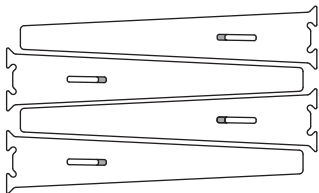
SLANTED SURFACE*
FACING OUTWARD

Parts

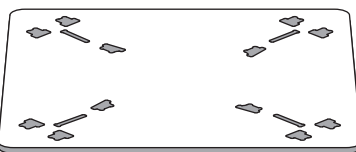
(a) (4) Brackets



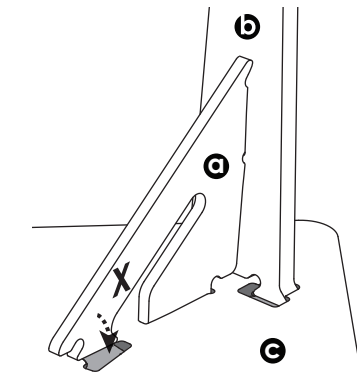
(b) (4) Legs



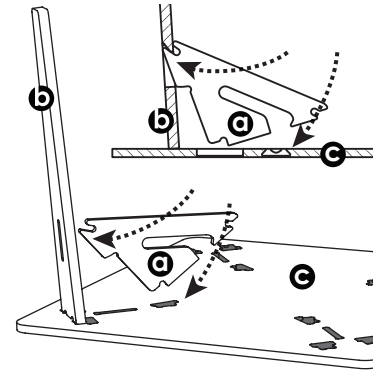
(c) (1) Tabletop



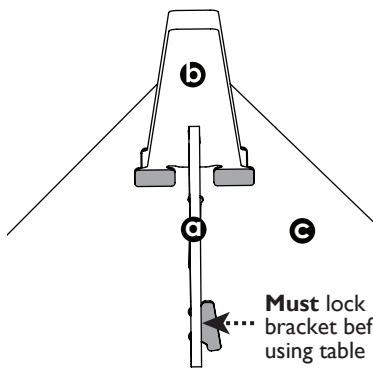
2 Remove bracket from leg, and slide end of leg into slot on table top.



4 Bend tip **X** of bracket over and down into slot.



3 Insert bracket tip into slot on leg, and rotate down bottom corner.



5 Push bracket in to lock in place. Repeat steps 1-3 for each leg.



Simple. Modern. American Made.



Need Help?

Watch our Assembly Video at sprout-kids.com/pbj

Or talk to our customer service agent at : +1 (833) 530-0033



- ⚠ Adult assembly only
- ⚠ Assemble completely before use
- Weight capacity 150 lbs