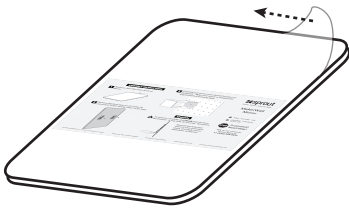
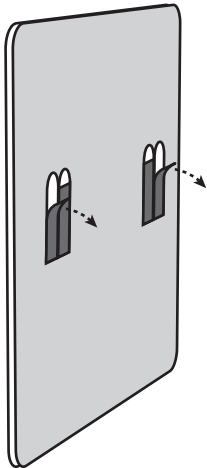


ASSEMBLY INSTRUCTIONS

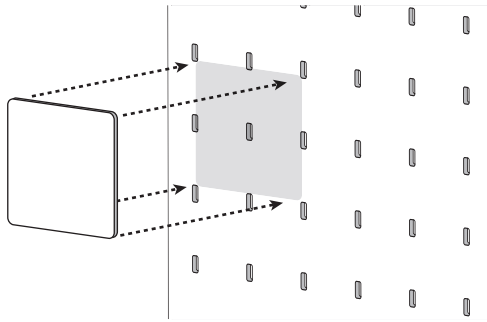
- 1 Remove clear film from front of Mirror.



- 2 Remove backing tape on (2) of the (4) Command Strips, saving other (2) for later.



- 3 Carefully put mirror onto desired location on slotboard. Make sure mirror is straight and aligned before pressing tight.



REMOVAL

- * To remove, carefully and **slowly** peel up from the bottom. It may take 30 seconds. Be patient.



Remove backing tape from (2) new command strips, and apply mirror elsewhere, as desired.



Simple. Modern. American Made.

MakerWall Mirror

- ⚠ Adult assembly only
- ⚠ Assemble completely before use

STOP Frustrated?
Need Help?

Talk to our customer service agent at:
+1 (833) 530-0033

QUARK ENTERPRISES, LLC PO BOX 1123, PROVO, UT 84601

MODEL NO. MKA-9.5H9.5W_MIRROR

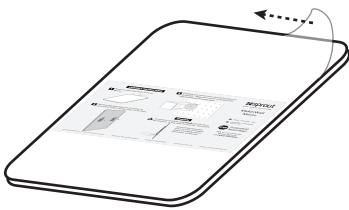
DOCUMENT: AI-MKA-MIRROR

WWW.SPROUT-KIDS.COM

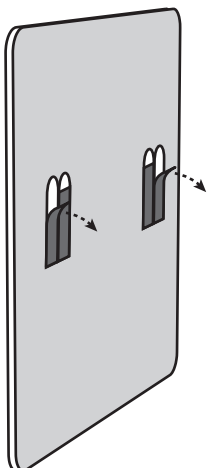
COPYRIGHT QUARK ENTERPRISES 2022

ASSEMBLY INSTRUCTIONS

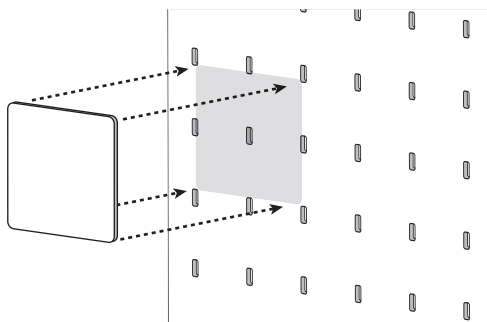
- 1 Remove clear film from front of Mirror.



- 2 Remove backing tape on (2) of the (4) Command Strips, saving other (2) for later.



- 3 Carefully put mirror onto desired location on slotboard. Make sure mirror is straight and aligned before pressing tight.



REMOVAL

- * To remove, carefully and **slowly** peel up from the bottom. It may take 30 seconds. Be patient.



Remove backing tape from (2) new command strips, and apply mirror elsewhere, as desired.



Simple. Modern. American Made.

MakerWall Mirror

- ⚠ Adult assembly only
- ⚠ Assemble completely before use

STOP Frustrated?
Need Help?

Talk to our customer service agent at:
+1 (833) 530-0033

QUARK ENTERPRISES, LLC PO BOX 1123, PROVO, UT 84601

MODEL NO. MKA-9.5H9.5W_MIRROR

DOCUMENT: AI-MKA-MIRROR

WWW.SPROUT-KIDS.COM

COPYRIGHT QUARK ENTERPRISES 2022