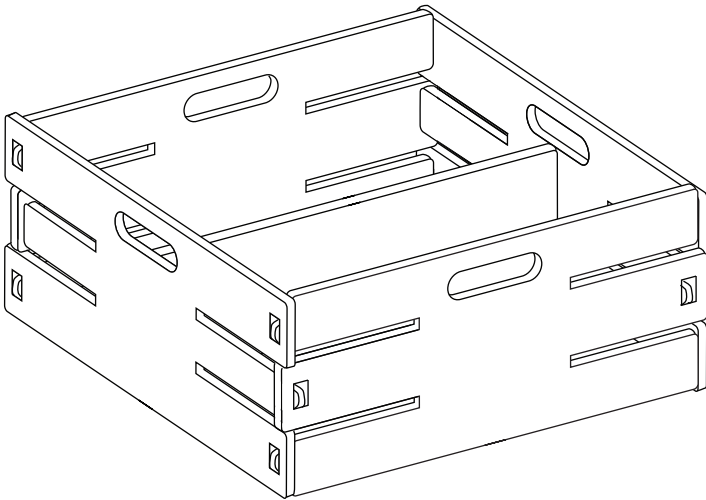




WOVEWOOD DIVIDED TRAY

ASSEMBLY INSTRUCTIONS



Creating a Place for Everything

We're Here to Help



Please reach out to our support team if you need any assistance along the way!



+1 (833) 530-0033



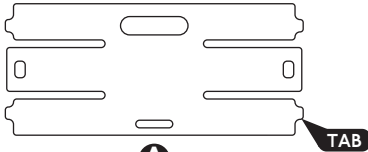
M-F 8-4 MST



support@sprout-kids.com

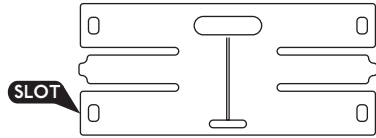
Assembly Instructions

Included Parts



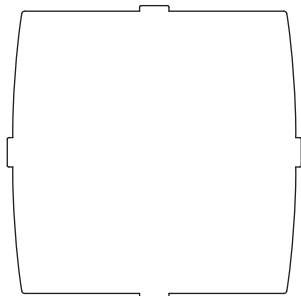
A

Ends (x2)



B

Sides (x2)



C

Bottom

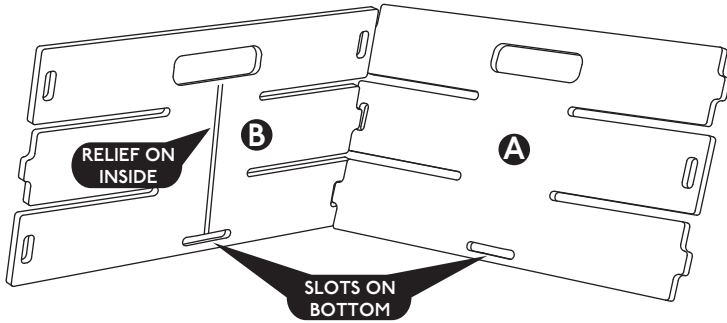


D

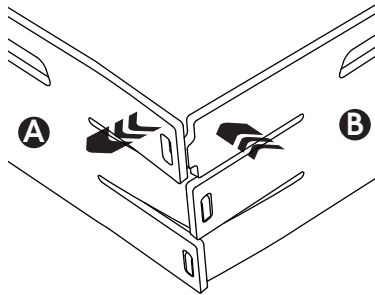
Divider

Begin Assembly

- 1 Grab an End **A** and a Side **B** . Position the parts with **slots on the bottom and Side relief towards the inside**. Insert lower two tabs into their appropriate slots on the opposite piece.

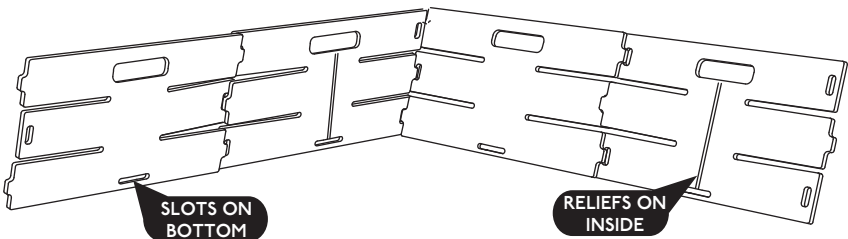


- 2 Gently flex the parts to weave the top tab into its slot.

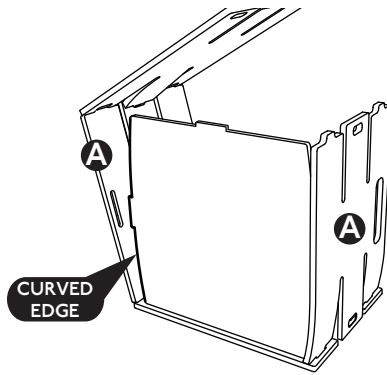


- 3 Repeat Steps 1 and 2 for other End **A** and Side **B** .

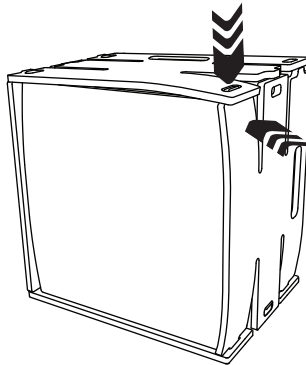
- 4 Repeat Steps 1 and 2 to weave the two sets of parts together in the middle.



- 5** Before weaving all the parts fully together, put Bottom **C** into place. Make sure the curved edges line up with both Ends **A** as shown, and then wrap parts around Bottom.



- 6** For last Side, catch bottom tab in hole, and then weave upward, as shown.



- 7** Place Divider **D** into tray diagonally and rotate into place.

