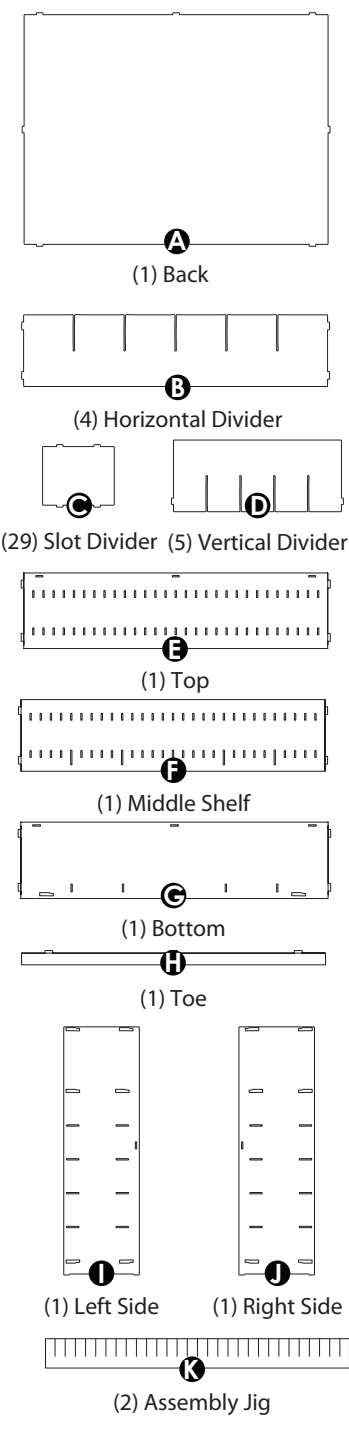
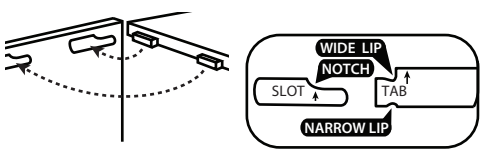


PARTS

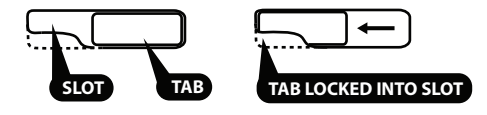


BEFORE YOU START

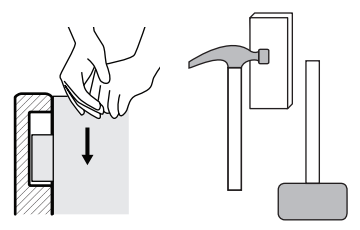
* Orient tabs so the side with the wider lip faces the same direction as the notch in the slot.



* Place tab into open slot then lock tabs into the notch as pictured below.

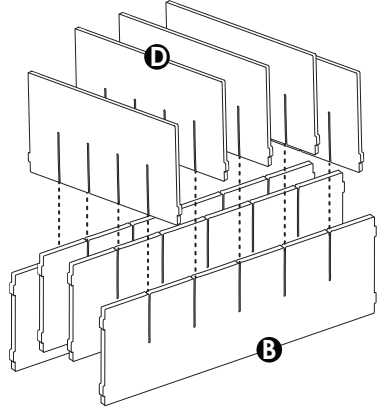


! When fully tightened, the edges should be flush. A rubber mallet can help push pieces together. A hammer can also be used with a scrap piece of wood or a cutting board placed over the surface being hammered to protect it.

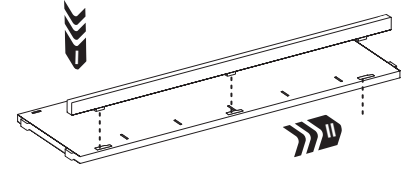


ASSEMBLY INSTRUCTIONS

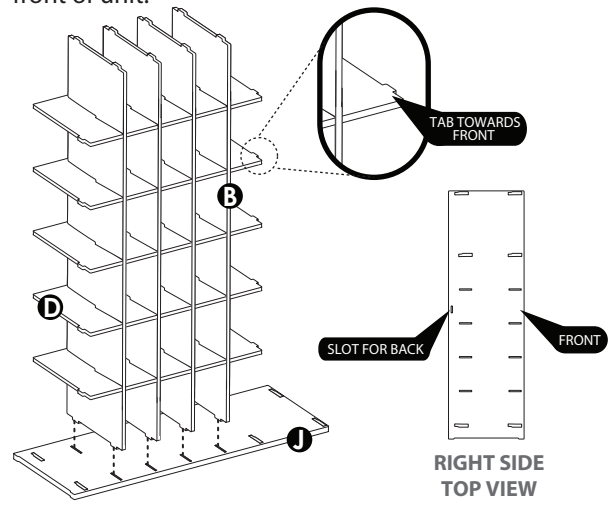
1 Place Vertical Dividers **D** into slots of Horizontal Dividers **B**, as shown.



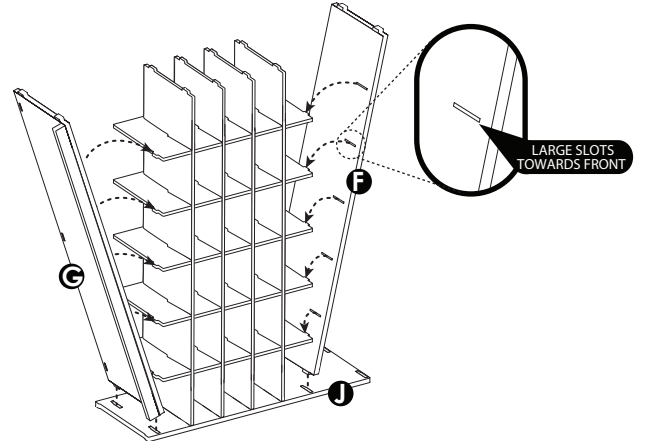
2 Push tabs on Toe **H** into slots on Bottom **C**, then tighten per *.



3 Insert tabs of assembled Vertical and Horizontal Dividers **D** and **B** into slots of Right Side **J**, as shown. Make sure Vertical Divider tabs are towards front of unit.



4 Place tabs for Bottom **C** and Middle Shelf **F** in slots of Right Side **J**, as shown. Large slots on Middle Shelf should be towards front of unit. Insert tabs of Dividers into slots on Bottom and Middle Shelf, and tighten Bottom **C** slightly.



30-CUBBY STUDENT FOLIO STORAGE

- ! Adult assembly only
- ! Assemble completely before use
- ! 2 people recommended for assembly

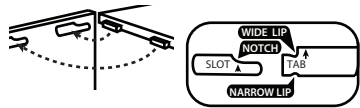


STOP Frustrated? Need Help?

Talk to our customer service agent at:
+1 (833) 530-0033
 Or watch our assembly video at:
sprout-kids.com/sfs

REMEMBER

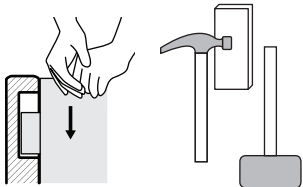
* Orient tabs so the side with the wider lip faces the same direction as the notch in the slot.



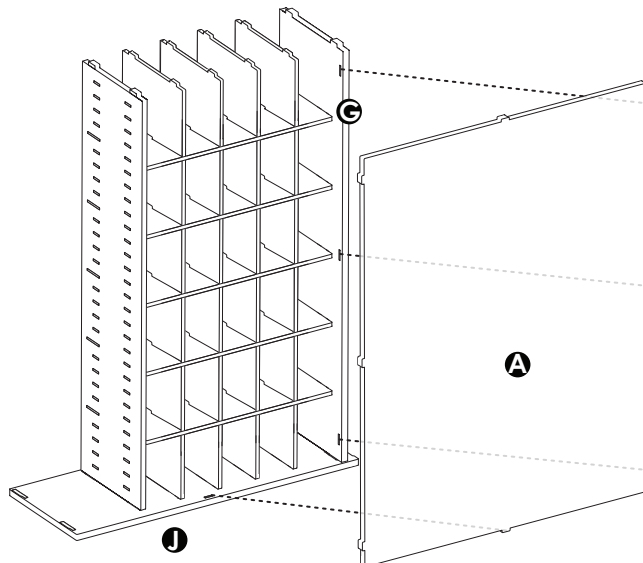
* Place tab into open slot then lock tabs into the notch as pictured above.



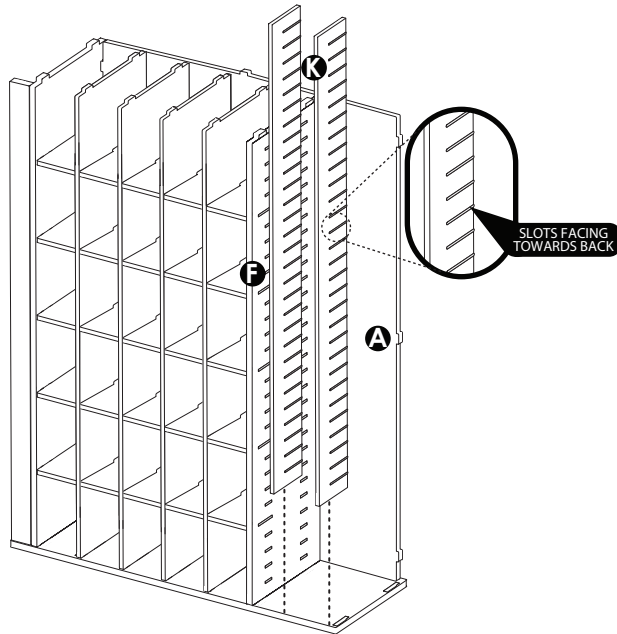
! When fully tightened, the edges should be flush. A rubber mallet can help push pieces together. A hammer can also be used with a scrap piece of wood or a cutting board placed over the surface being hammered to protect it.



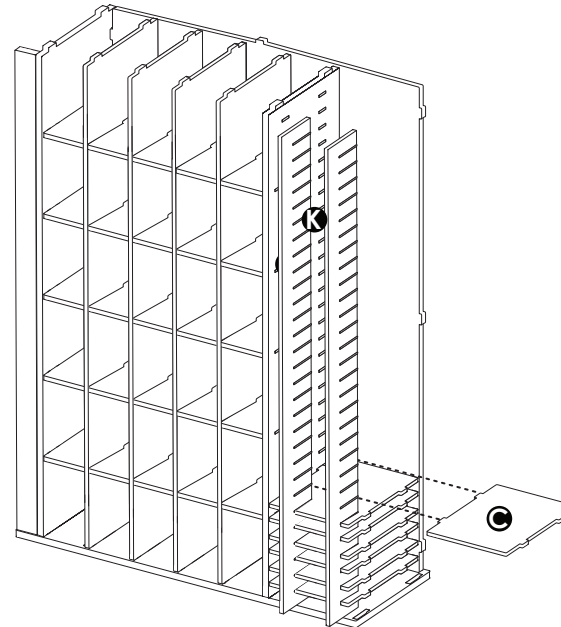
5 With another adult steadying the assembly, insert tabs of Back **A** into slots on Right Side **J** and Bottom **C**, as shown.



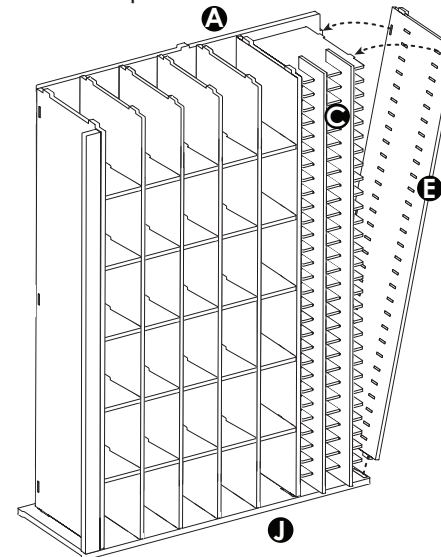
6 With another adult holding the assembly steady, place (1-2) Assembly Jigs **K** next to Middle Shelf **F** on the front edge of the unit with slots facing in towards the Back **A**.



7 With another adult holding the Assembly Jigs **K** steady, slide all Slot Dividers **C** into their slots on Middle Shelf **F**, as shown. Assembly Jigs will help hold the Slot Dividers in place.



8 With another adult holding the assembly steady, insert tabs of Top **E** into slots on Right Side **J**, as shown. Insert tabs of Slot Dividers **C** and Back **A** into slots on Top.



sprout

Simple. Modern. American Made.

30-CUBBY STUDENT FOLIO STORAGE

- ! Adult assembly only
- ! Assemble completely before use
- ! 2 people recommended for assembly

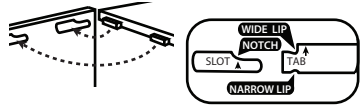


STOP Frustrated?
Need Help?

Talk to our customer service agent at:
+1 (833) 530-0033
Or watch our assembly video at:
sprout-kids.com/sfs

REMEMBER

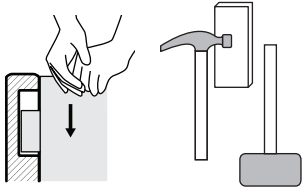
* Orient tabs so the side with the wider lip faces the same direction as the notch in the slot.



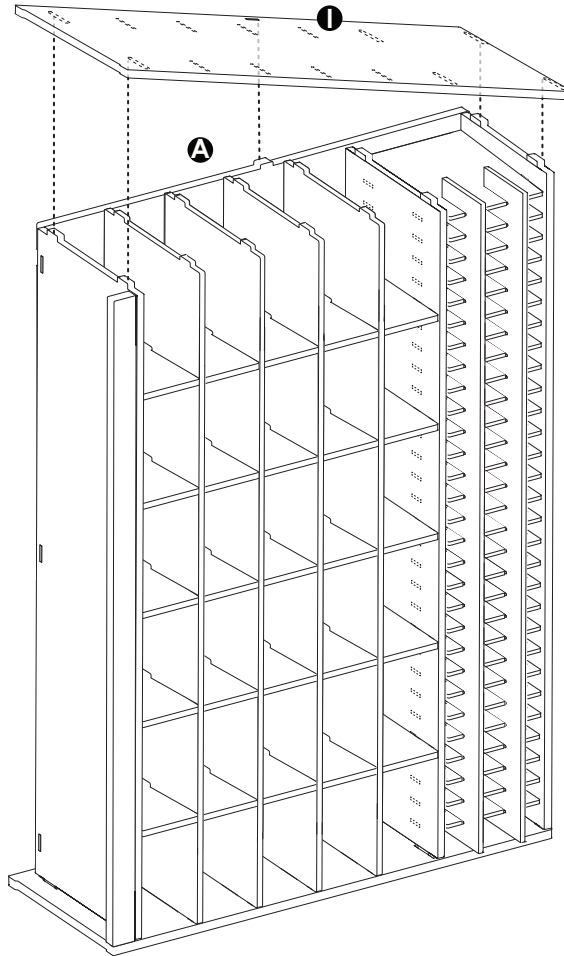
* Place tab into open slot then lock tabs into the notch as pictured above.



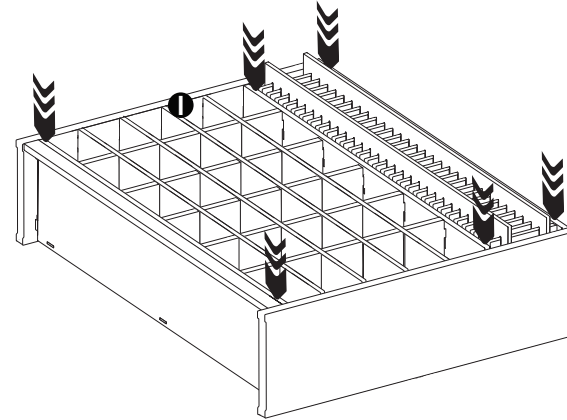
! When fully tightened, the edges should be flush. A rubber mallet can help push pieces together. A hammer can also be used with a scrap piece of wood or a cutting board placed over the surface being hammered to protect it.



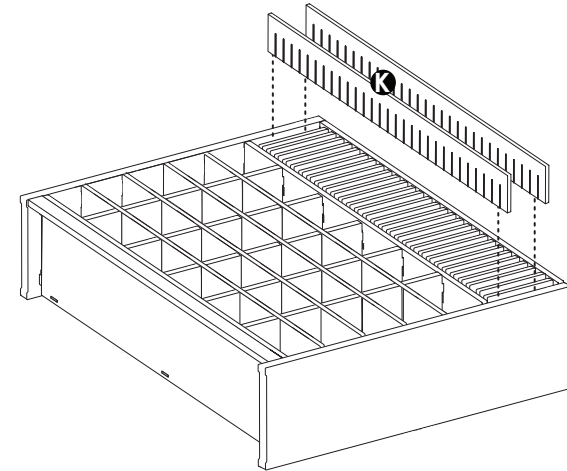
9 Place Left Side **I** onto all tabs, then tighten slightly. Carefully tilt assembly onto Back **A**.



10 Lock tabs on Left Side **I** and check that all other tabs are locked and edges are flush. Refer to **!**.



11 Carefully wiggle Assembly Jigs **K** to remove. With another adult, carefully tilt unit up onto feet.



sprout

Simple. Modern. American Made.

30-CUBBY STUDENT FOLIO STORAGE

- ! Adult assembly only
- ! Assemble completely before use
- ! 2 people recommended for assembly



STOP Frustrated?
Need Help?

Talk to our customer service agent at:
+1 (833) 530-0033
Or watch our assembly video at:
sprout-kids.com/sfs