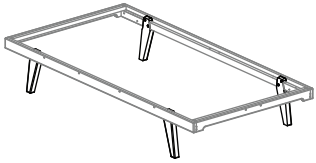




Cultivate Resilience



## SOSTA BED LEGS

### Order of Operations (May vary per configuration)

1. Platform
- 2. Legs**
3. Slat Rolls
4. Headboard
5. Endboard
5. Siderail
  - 5a. 1/3 Siderail
  - 5b. 1/3 Siderail (x2)
  - 5b. 3/4 Siderail
  - 5c. Full Siderail
6. Bunkbed Post Set
7. Bunkbed Ladder
8. Loft

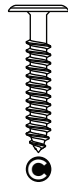
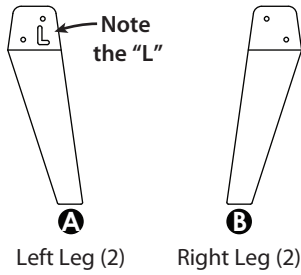


Need Help?

+1 (833) 530-0033

support@sprout-kids.com

### PARTS



Hex Screw (8)

### INCLUDED TOOLS



4mm Hex Wrench



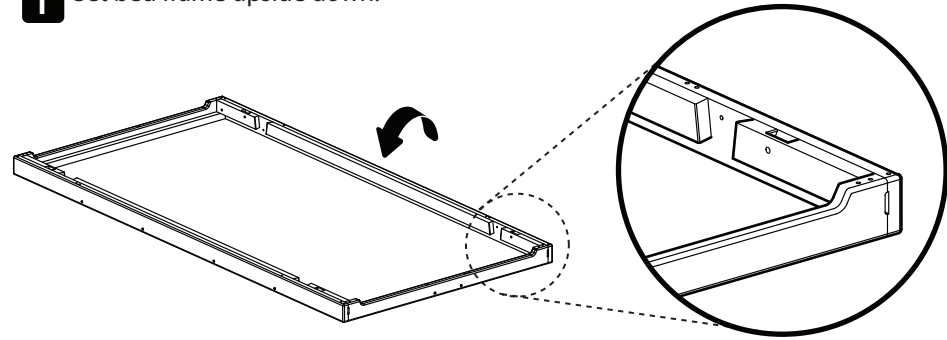
Hex Bit

### OPTIONAL

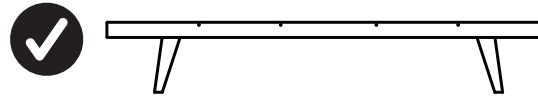
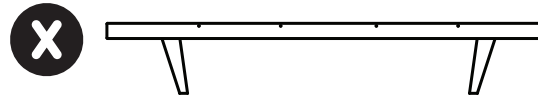


Drill

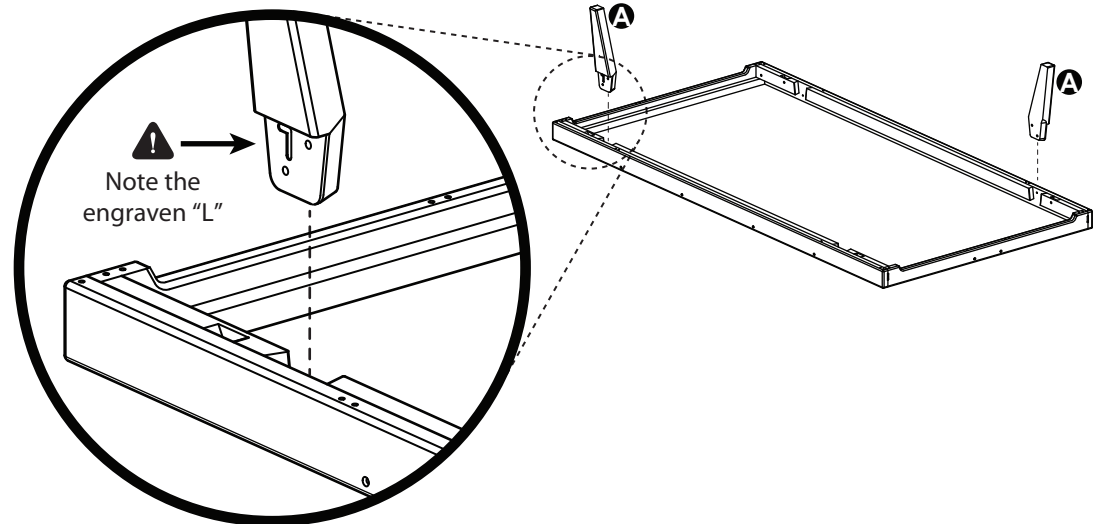
**1** Set bed frame upside down.



**2** When adding legs, ensure they point away from the center of the bed.

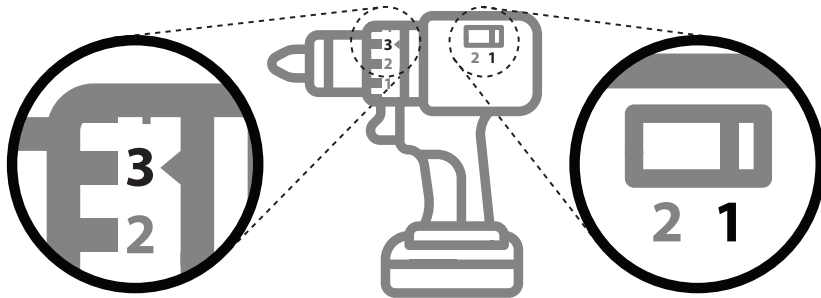


**3** Slide the (2) Left Legs **A** into bed fram sides at opposite corners as shown.



**4** If using a drill, set clutch on drill to **LOW SETTING** (around 3).

If your drill has two speeds, set it to the **SLOW SPEED** (1).

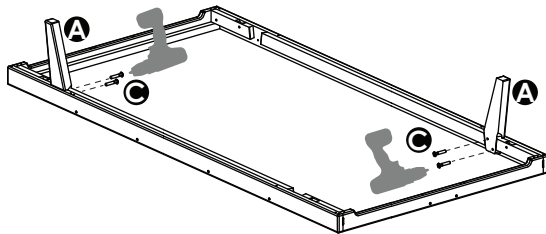


**A high clutch setting will strip screw heads and render parts useless!**

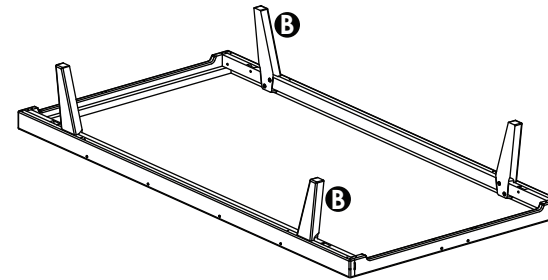
**CLUTCH TOO HIGH:** If the drill twists dramatically in your hand when drilling. Lower the clutch setting.

**CLUTCH TOO LOW:** If the screw does not screw in all the way. Adjust clutch up by 1 setting and try again.

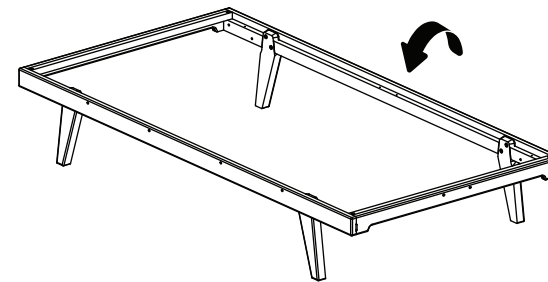
**5** Screw the (4) Hex Screws **C** in the (2) Left Legs **A**.



**6** Repeat steps 4-5 with the (2) Right Legs **B**.



**7** Flip frame over. Attach Slat Rolls (if not already attached) using Slat Roll instructions.



**Add a mattress and  
enjoy your new Artisan Bed!**

**We'd love to see how the  
Artisan Bed works in your space.  
Be sure to tag @sprout\_kids  
on Instagram!**

