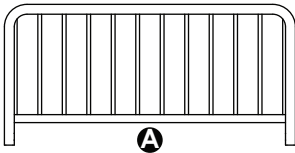
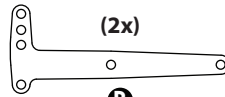


SOSTA BED
HEADBOARD / FOOTBOARD
ASSEMBLY GUIDE

PARTS



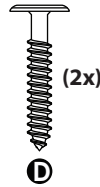
A
Headboard/Footboard



B
Bracket



C
1.2" Hex Screw



D
1.6" Hex Screw

INCLUDED TOOLS



4mm Hex
Wrench



Hex
Bit

OPTIONAL



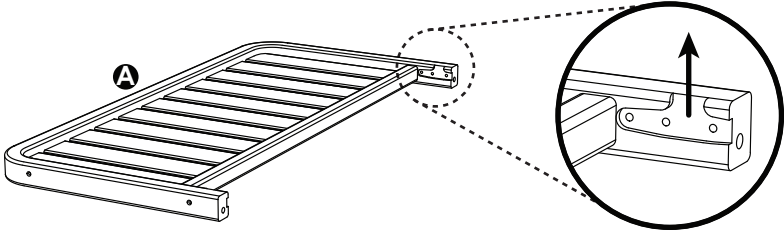
Power
Drill

ASSEMBLY VIDEO ►

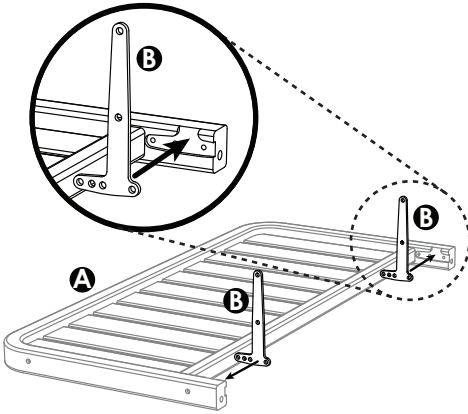
Enjoy the best assembly experience
sprout-kids.com/headboard



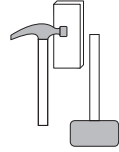
- 1 With groove opening face up, set Headboard/Footboard **A** on ground as shown.



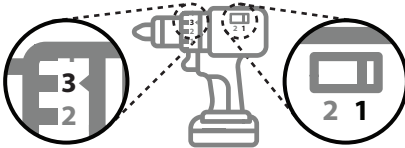
- 2 Place Bracket **B** firmly into groove. Repeat for both sides of the Headboard/Footboard **A**.



OPTIONAL: A rubber mallet can help push pieces together. A hammer can also be used with a scrap piece of wood or a cutting board placed over the surface being hammered for protection.



- 3 If using a drill, set clutch on drill to **LOW SETTING** (around 3).
If your drill has two speeds, set it to the **SLOW SPEED** (1).

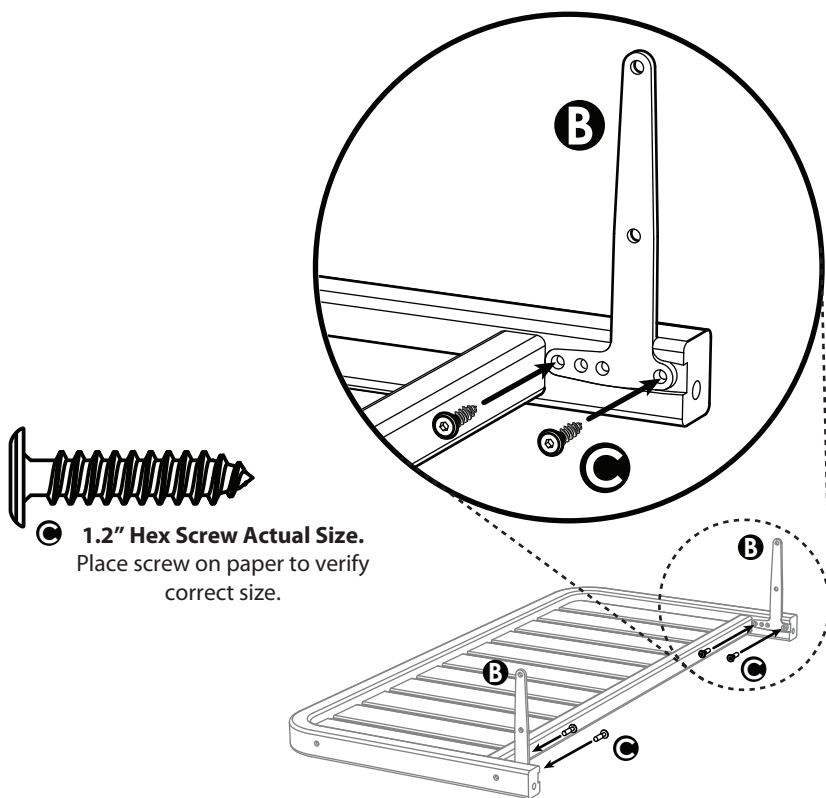


A high clutch setting will strip screw heads and render parts useless!

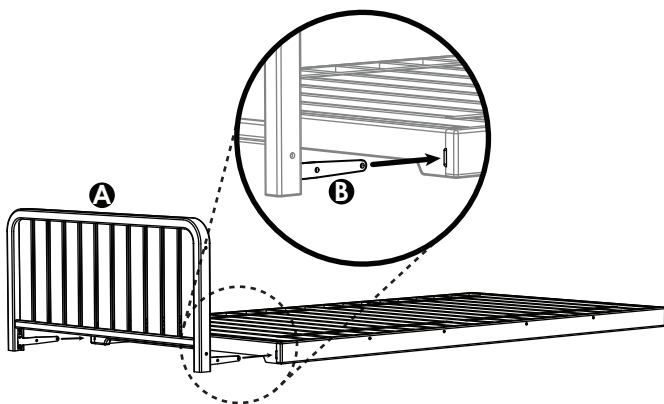
CLUTCH TOO HIGH: If the drill twists dramatically in your hand when drilling. Lower the clutch setting.

CLUTCH TOO LOW: If the screw does not screw in all the way. Adjust clutch up by 1 setting and try again.

- 4** Insert (2x) **1.2"** Hex Screws **C** as shown to secure Bracket **B**. Repeat for both Brackets **B**.



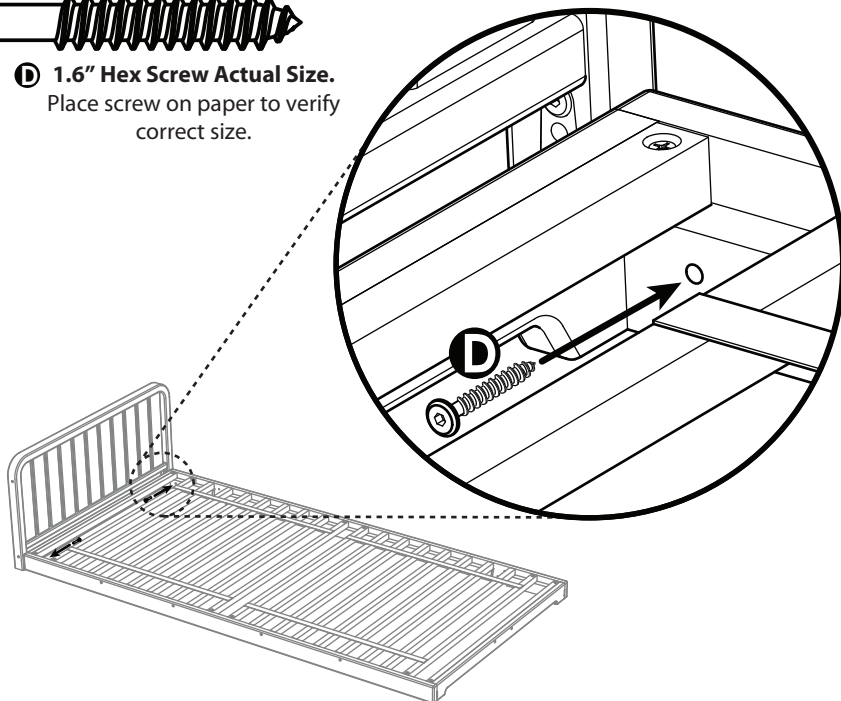
- 5** Flip Headboard/Footboard **A** upright and insert Bracket **B** ends firmly into bed frame slots (using a rubber mallet if necessary). Ensure Headboard/Footboard **A** is **flush** against bedframe before proceeding.



- 6** Insert **1.6"** Hex Screw **D** to secure Headboard/Footboard **A** to bed frame. Repeat for each side.



- D** **1.6" Hex Screw Actual Size.**
Place screw on paper to verify correct size.



- 7** For Safety Regulations and Standards:
sprout-kids.com/sosta/safety



If you have questions, reach out to support@sprout-kids.com