



SOSTA BUNK BED

ASSEMBLY & USE GUIDE



Growing together through every stage



Ensuring more than just a stylish addition to your space; the Sosta Bunk Bed was meticulously hand-crafted with premium materials to make an heirloom-quality piece that will grow with your family.



Made to grow with
your little one



Crafted from
Solid Wood



American made
and sourced

We're Here to Help



Please reach out to our team if you need anything along the way!



+1(833)530-0033



M-F 8-4 MST

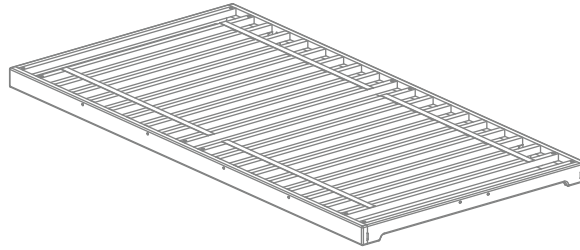


support@sprout-kids.com

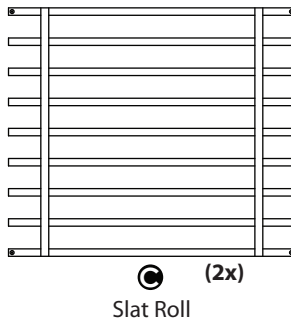
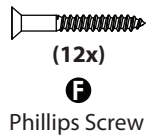
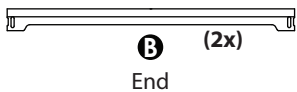


SOSTA BED PLATFORM ASSEMBLY GUIDE

ASSEMBLY VIDEO ▶
Enjoy the best assembly experience
sprout-kids.com/platform



PARTS



INCLUDED TOOLS



Long
Phillips Bit

REQUIRED



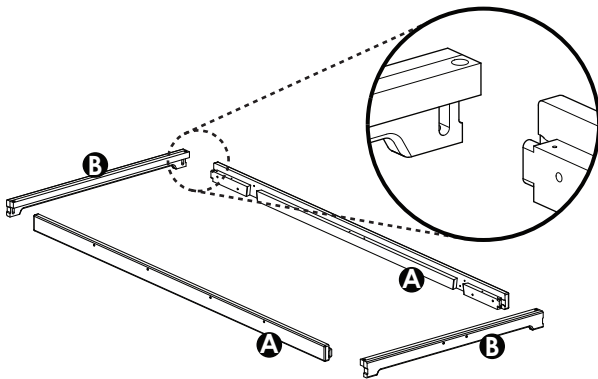
Phillips
Screwdriver

OR

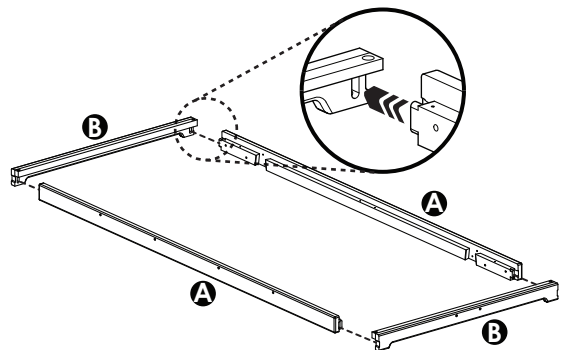


Power
Drill

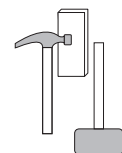
1 Lay out (2x) Sides **A** and (2x) Ends **B** as shown.



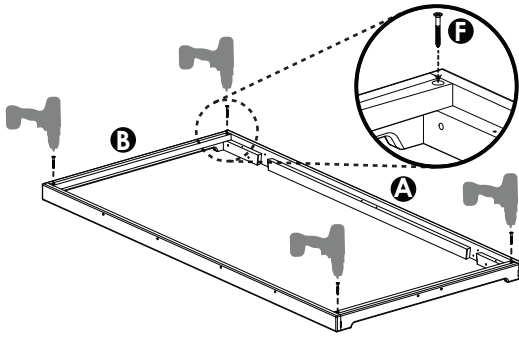
2 Starting with one End **B**, fully insert tabs of Sides **A** into slots on Ends **B** until flush. Repeat with other End **B**.



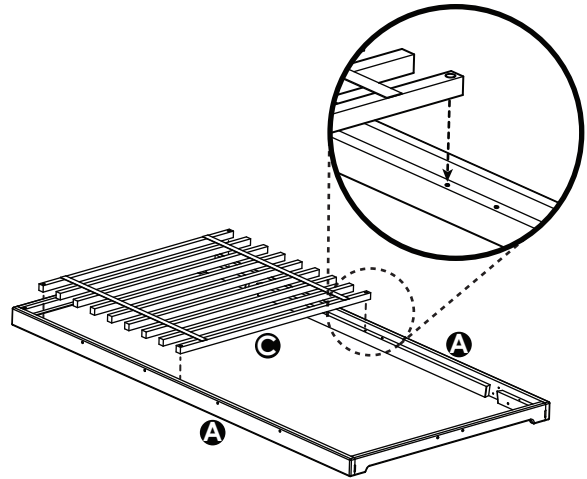
OPTIONAL: A rubber mallet can help push pieces together. A hammer can also be used with a scrap piece of wood or a cutting board placed over the surface being hammered for protection.



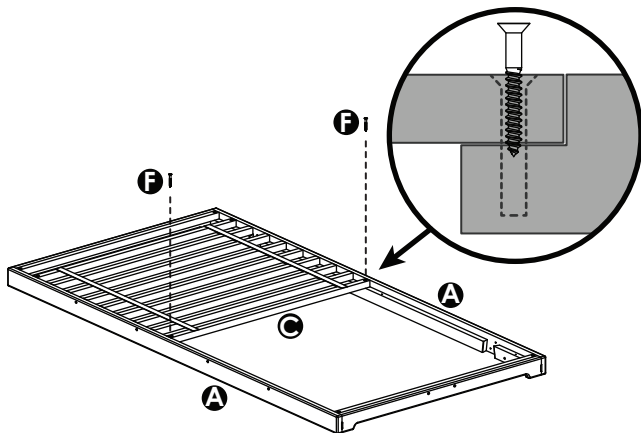
4 Screw a Phillips Screw **F** into corner of End **B** and Side **A**. Repeat with each corner.



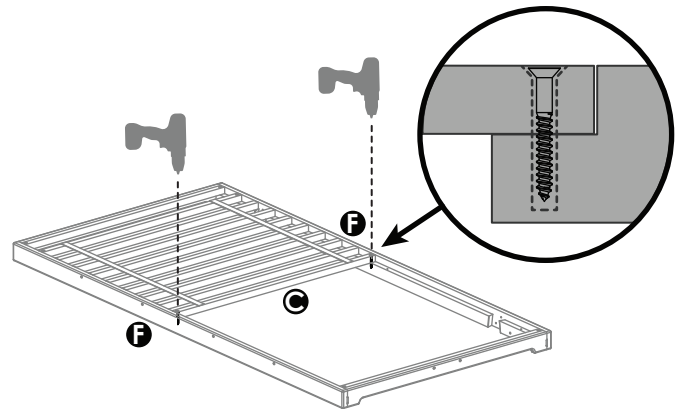
5 With webbing face up, align the Slat Roll **C** holes with the Holes in Side **A** as you lay one of the Slat Rolls **C** onto one half of the bed frame.



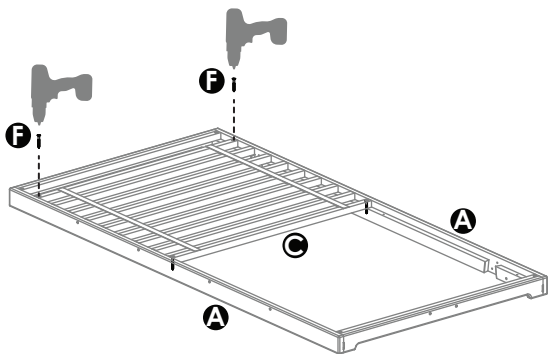
6 Insert the tips of (2x) Phillips Screws **F** through the Slat Roll **C** holes and vertically into the holes of Side **A**.



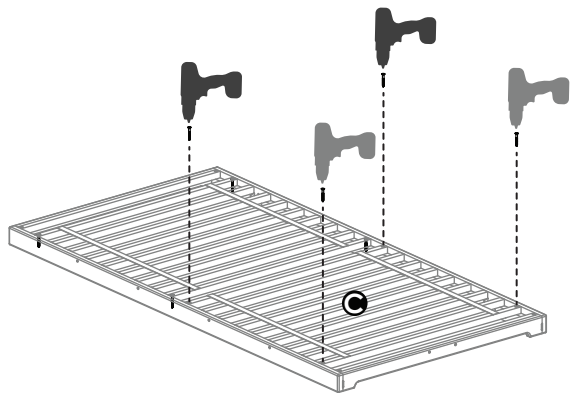
7 Screw the (2x) Phillips Screws **F** into the holes on the side of the Slat Roll **C** near the middle of the bed.



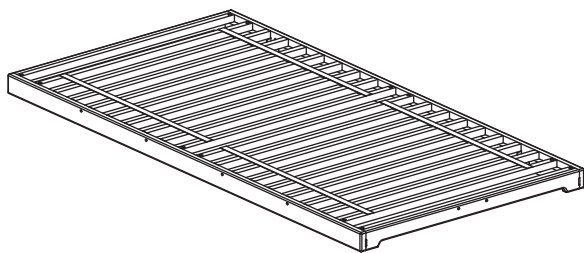
8 Set the tips of the additional (2x) Phillips Screws **F** through the other Slat Roll **C** holes and screw them into the holes of Side **A**.



9 Repeat steps 10-13 to attach remaining Slat Roll **C**.



10 You have completely assembled the platform. If you are left with an extra screw, don't worry! It was just there in case one got lost.





SOSTA BED

BUNK HEADBOARD

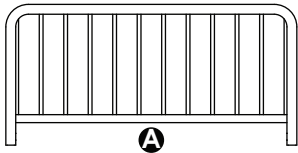
ASSEMBLY GUIDE

ASSEMBLY VIDEO ▶

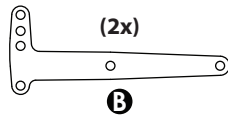
Enjoy the best assembly experience
sprout-kids.com/headboard



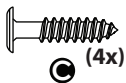
PARTS



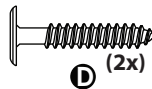
(2x) Headboard



(2x) Bracket



(4x) 1.2" Hex Screw



(2x) 1.6" Hex Screw

INCLUDED TOOLS



4mm Hex Wrench



Hex Bit

OPTIONAL

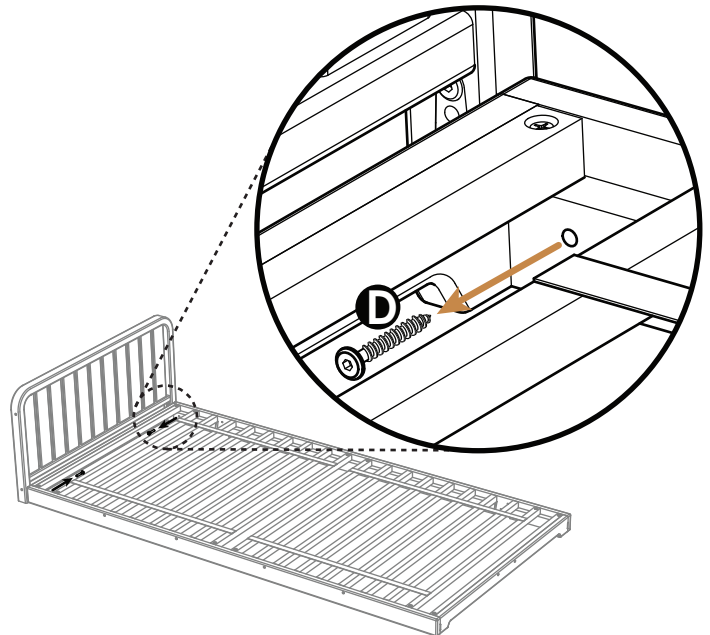


Power Drill

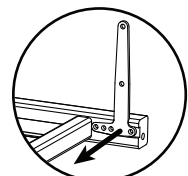
2 If you already have an assembled Sosta Bed, then first remove any sideboards.

If installing a headboard for the first time, **skip to Step 5.**

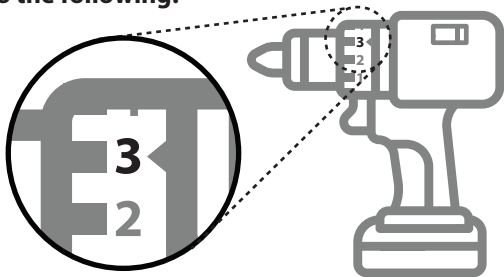
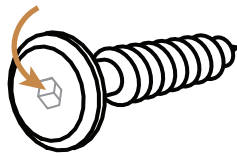
3 Next, remove any headboards. To remove, first unscrew the two **1.6" Hex Screws D** that secure the Headboard to the bed frame.



4 Remove the **1.2" Hex Screws C** securing the brackets to the headboard posts, and pop out brackets.



1 With the high-powered drills available today, the **most significant assembly issue** that can occur is **rounding-out** the hex shape in the head of a hex screw. If this occurs, it will be **very difficult** to remove the screw. To avoid this, **please do the following:**



I) Set the clutch on your drill to a **LOW SETTING** (we recommend 3).

II) Attempt to install your **first** hex screw. The clutch will **most likely** start slipping before it screws all the way in.

III) Adjust your clutch **up one setting at a time** until the screw goes completely in.

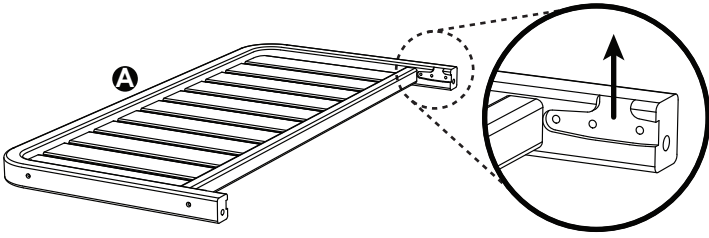
IV) After finding **the appropriate setting** per your experience with the first 3 screws, **DO NOT** adjust the clutch setting any more.

V) Later in assembly, if a screw does not screw in all the way, first **check the screw length** to ensure you are using the correct screw.

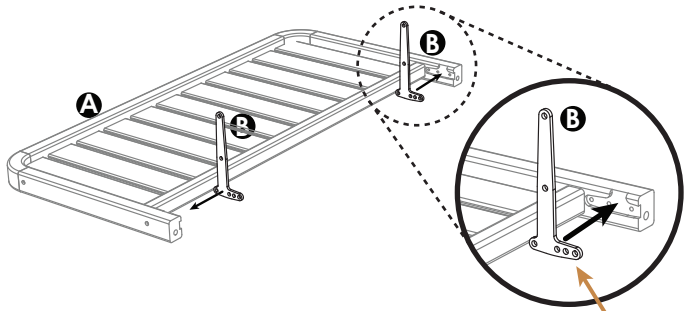
VI) If the screw is correct, then use the **Hex Wrench** to complete the installation of that screw.

VII) If the screw won't go in with the Hex Wrench, contact Customer Support at (833) 530-0033 Mon-Fri 9-4 MST.

5 With groove opening face up, set Headboard/Footboard **A** on ground, as shown.



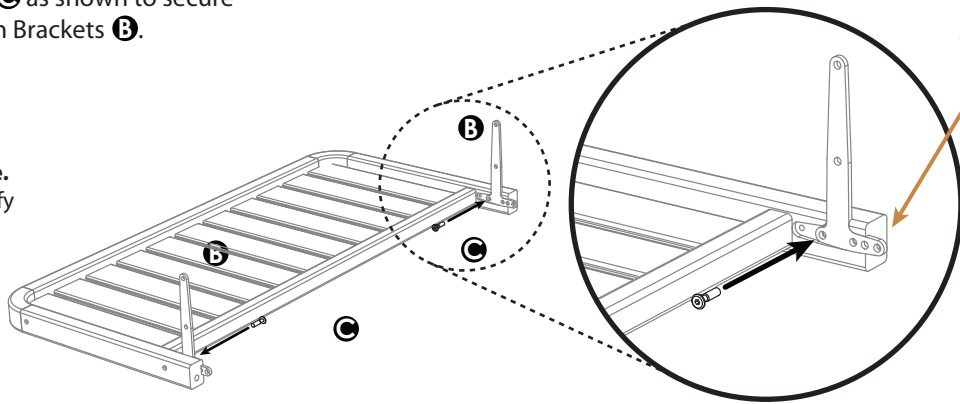
6 Place Bracket **B** firmly into groove with the **long tab facing DOWN**. Repeat for both sides of the Headboard/Footboard **A**.



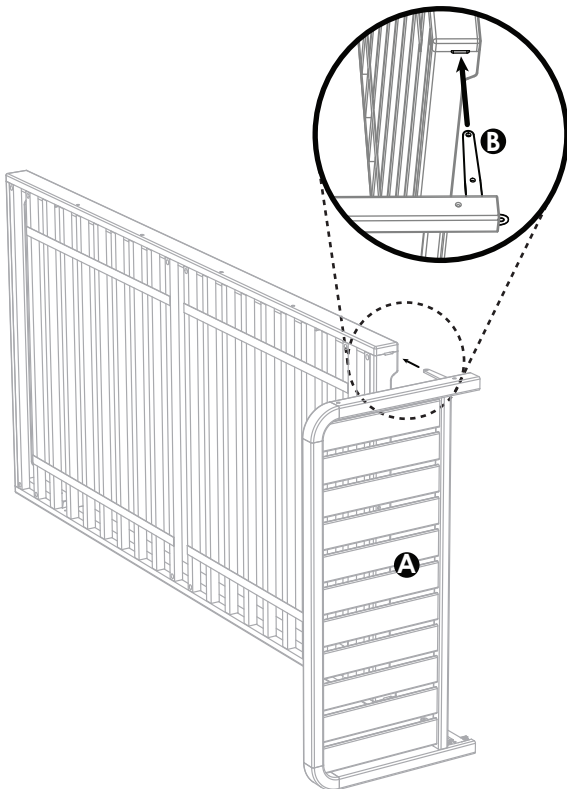
7 Insert (1x) 1.2" Hex Screw **C** as shown to secure Bracket **B**. Repeat for both Brackets **B**.



C 1.2" Hex Screw Actual Size.
Place screw on paper to verify correct size.



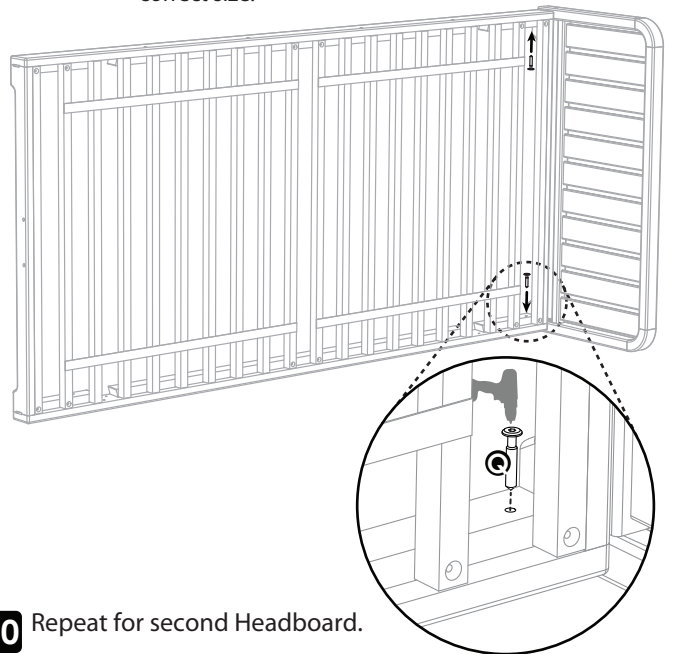
8 With the help of another adult, set bed frame on side, as shown, then insert Bracket **B** ends firmly into bed frame slots (using a rubber mallet if necessary). Ensure Headboard **A** is **flush** against bedframe before proceeding.



9 Insert (2) 1.6" Hex Screws **D** to secure Headboard **A** to bed frame.



D 1.6" Hex Screw Actual Size.
Place screw on paper to verify correct size.



10 Repeat for second Headboard.



SOSTA BED

FULL RAIL

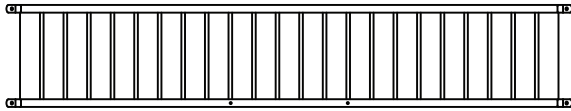
ASSEMBLY GUIDE

ASSEMBLY VIDEO ▶

Enjoy the best assembly experience
sprout-kids.com/fullrail



PARTS



A
Full Side Rail



B
1.6" Hex Screw (4x)



C
2" Hex Screw (2x)

INCLUDED TOOLS



4mm Hex Wrench



Hex Bit

OPTIONAL

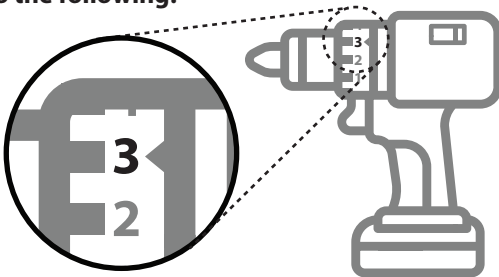
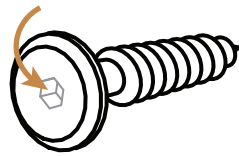


Power Drill



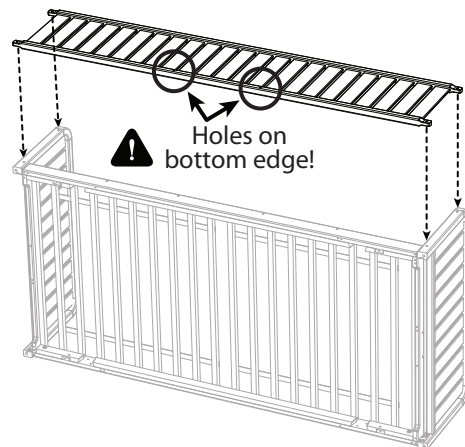
Phillips Screwdriver

1 With the high-powered drills available today, the **most significant assembly issue** that can occur is **rounding-out** the hex shape in the head of a hex screw. If this occurs, it will be **very difficult** to remove the screw. To avoid this, **please do the following:**



- I) Set the clutch on your drill to a **LOW SETTING** (we recommend 3).
- II) Attempt to install your **first** hex screw. The clutch will **most likely** start slipping before it screws all the way in.
- III) Adjust your clutch **up one setting at a time** until the screw goes completely in.
- IV) After finding **the appropriate setting** per your experience with the first 3 screws, **DO NOT** adjust the clutch setting any more.
- V) Later in assembly, if a screw does not screw in all the way, first **check the screw length** to ensure you are using the correct screw.
- VI) If the screw is correct, then use the **Hex Wrench** to complete the installation of that screw.
- VII) If the screw won't go in with the Hex Wrench, contact Customer Support at (833) 530-0033 Mon-Fri 9-4 MST.

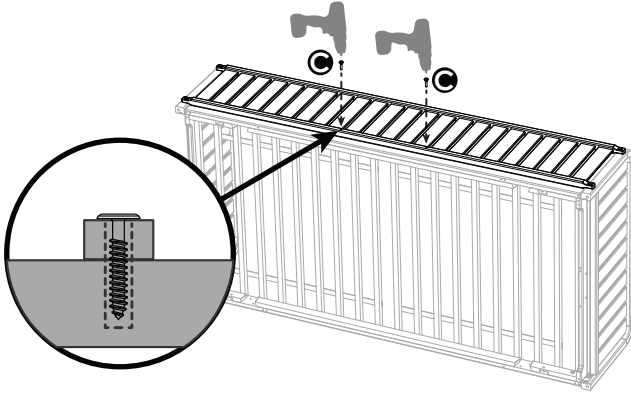
2 Align the holes of the Full Side Rail **A** with the holes in the Headboard & Footboard.



3 Screw the (2x) **2"** Hex Screws **C** into the center holes of the Full Side Rail **A**.



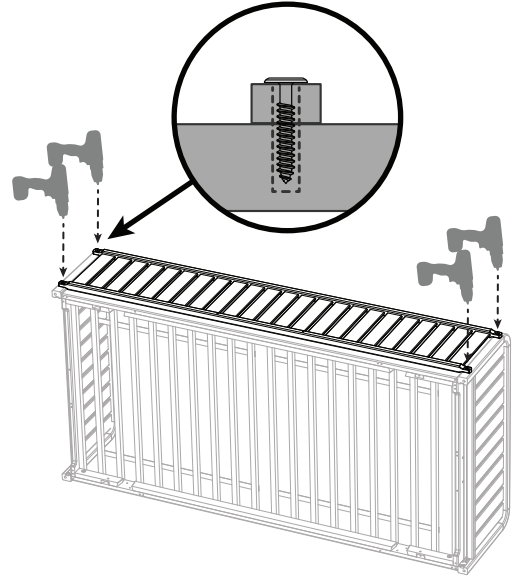
C **2" Hex Screw Actual Size**
Place screw on paper to verify correct size.



4 Screw (2x) **1.6"** Hex Screws **B** through the **top** holes of the Full Side Rail **A** and into the **top** holes of the Headboard and Footboard.



B **1.6" Hex Screw Actual Size.**
Place screw on paper to verify correct size.





ASSEMBLY VIDEO ▶

Enjoy the best assembly experience
sprout-kids.com/3-4-rail



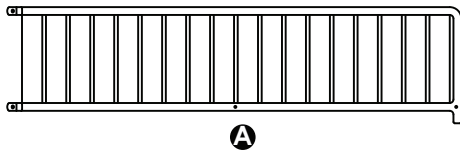
SOSTA BED

3/4 RAIL

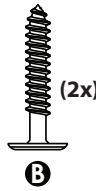
ASSEMBLY GUIDE



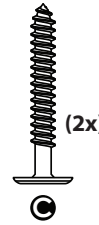
PARTS



3/4 Side Rail



1.6" Hex Screw



2" Hex Screw

INCLUDED TOOLS



4mm Hex Wrench



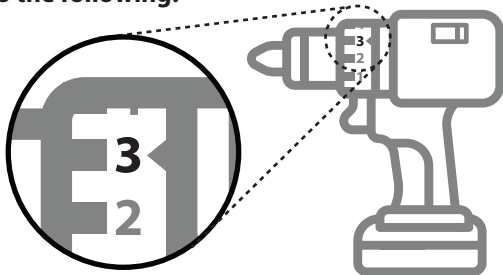
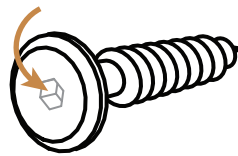
Hex Bit

OPTIONAL



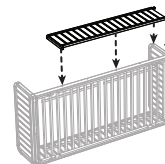
Power Drill

1 With the high-powered drills available today, the **most significant assembly issue** that can occur is **rounding-out** the hex shape in the head of a hex screw. If this occurs, it will be **very difficult** to remove the screw. To avoid this, **please do the following:**



- I) Set the clutch on your drill to a **LOW SETTING** (we recommend 3).
- II) Attempt to install your **first** hex screw. The clutch will **most likely** start slipping before it screws all the way in.
- III) Adjust your clutch **up one setting at a time** until the screw goes completely in.
- IV) After finding **the appropriate setting** per your experience with the first 3 screws, **DO NOT** adjust the clutch setting any more.
- V) Later in assembly, if a screw does not screw in all the way, first **check the screw length** to ensure you are using the correct screw.
- VI) If the screw is correct, then use the **Hex Wrench** to complete the installation of that screw.
- VII) If the screw won't go in with the Hex Wrench, contact Customer Support at (833) 530-0033 Mon-Fri 9-4 MST.

2 Align the holes of the 3/4 Side Rail **A** with the holes in the Headboard and Platform.

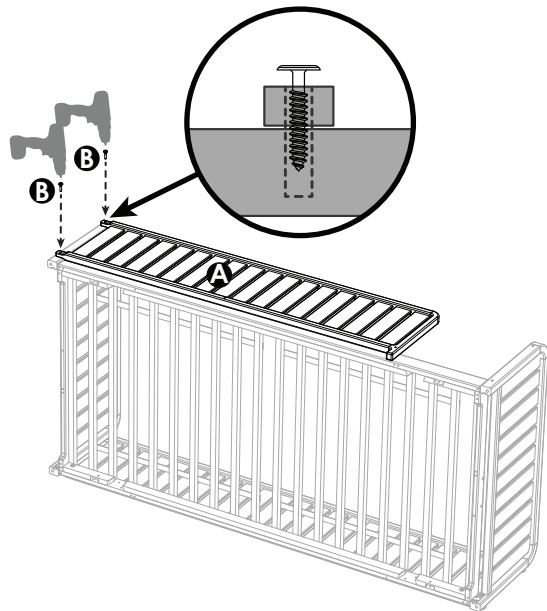


NOTE: The 3/4 Side Rail can be installed on the right side or left side, as desired.

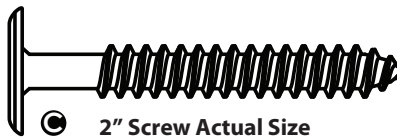
3 Partially screw (2x) 1.6" Hex Screws **B** through the side holes of the 3/4 Side Rail **A** and into the side holes of the Headboard.



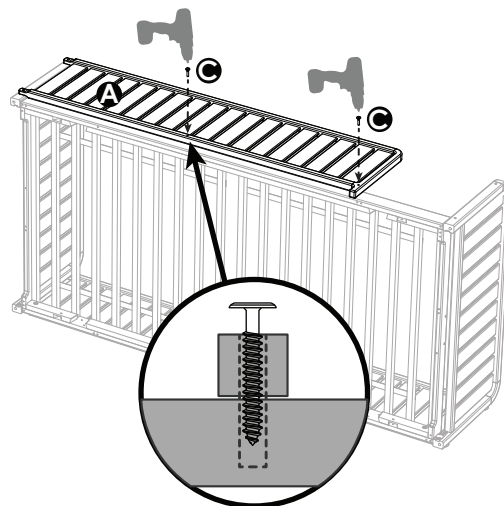
B 1.6" Screw Actual Size
Place screw on paper to verify correct size.



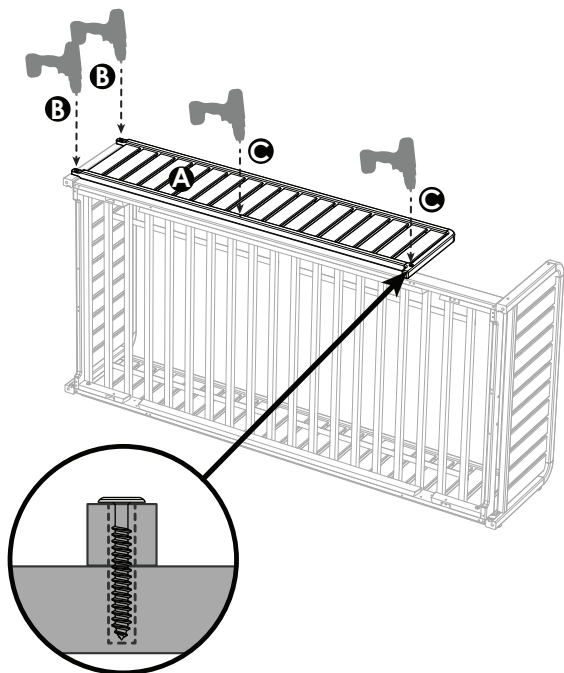
4 Partially screw (2x) 2" Hex Screws **C** through the bottom holes of the 3/4 Side Rail **A** and into the holes of the Platform.



C 2" Screw Actual Size
Place screw on paper to verify correct size.



5 Fully screw in each of the Hex Screws.

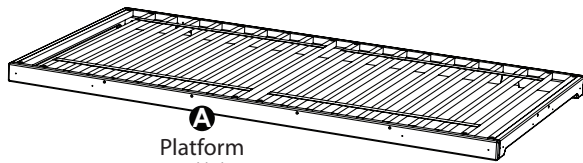




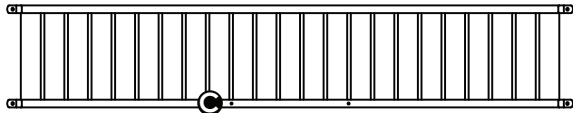
SOSTA BED
43" BUNK
ASSEMBLY GUIDE



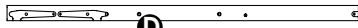
WOOD PARTS



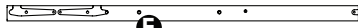
A
Platform
assembled per
Sosta Bed Platform Assembly Guide



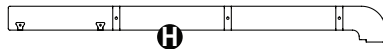
Full Side Rail



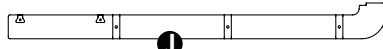
D
Left Post (2x)



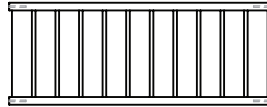
E
Right Post (2x)



H
Left Ladder Side



J
Right Ladder Side



B
Endboard (2x)



F
(3x)
Ladder Rung



G
(2x)
Right Diagonal Brace



K
(2x)
Left Diagonal Brace

"L" etched on top end of Left Diagonal Brace

INCLUDED TOOLS



4mm Ball-end
Hex Bit



4mm Hex
Wrench



Long
Phillips Bit

REQUIRED



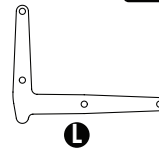
Phillips
Screwdriver

OR



Power
Drill

METAL BRACKETS



L
Post Bracket (4x)



M
Dovetail Bracket (2x)



N
L-Bracket (2x)

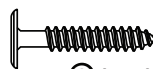
SCREWS & PINS



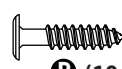
S (8x)
3.5" Hex Screw



R (2x)
2" Hex Screw



C (12x)
1.6" Hex Screw



P (10x)
1.2" Hex Screw

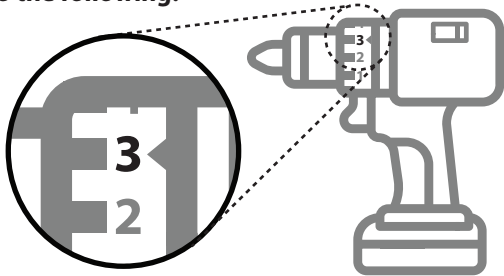
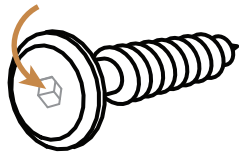


U (8x)
3/4" Phillips Screw



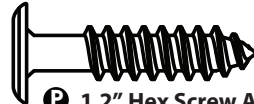
T (4x)
4" Pins

1 With the high-powered drills available today, the **most significant assembly issue** that can occur is **rounding-out** the hex shape in the head of a hex screw. If this occurs, it will be **very difficult** to remove the screw. To avoid this, **please do the following:**

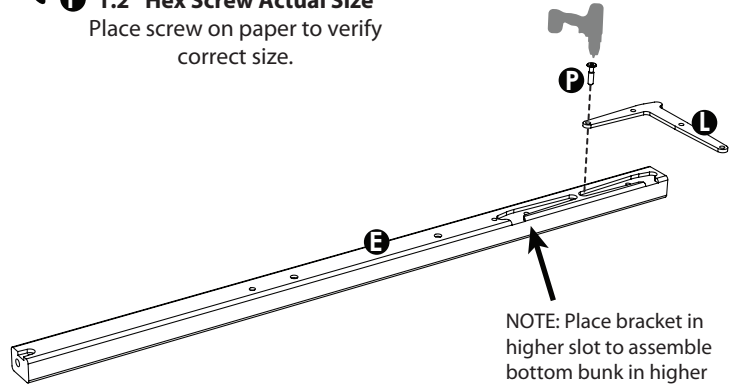


- I)** Set the clutch on your drill to a **LOW SETTING** (we recommend 3).
- II)** Attempt to install your **first** hex screw. The clutch will **most likely** start slipping before it screws all the way in.
- III)** Adjust your clutch **up one setting at a time** until the screw goes completely in.
- IV)** After finding **the appropriate setting** per your experience with the first 3 screws, **DO NOT** adjust the clutch setting any more.
- V)** Later in assembly, if a screw does not screw in all the way, first **check the screw length** to ensure you are using the correct screw.
- VI)** If the screw is correct, then use the **Hex Wrench** to complete the installation of that screw.
- VII)** If the screw won't go in with the Hex Wrench, contact Customer Support at (833) 530-0033 Mon-Fri 9-4 MST.

2 Insert Post Brackets **L** into lower slot on Right Posts **E** and Left Posts **D**. Secure with a single 1.2" Hex Screw **P** in the top hole, as shown.

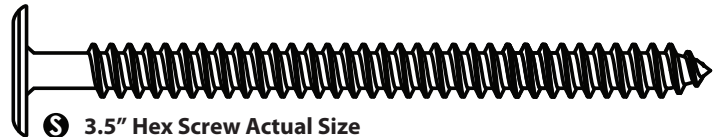


P 1.2" Hex Screw Actual Size
Place screw on paper to verify correct size.

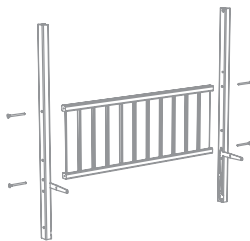


NOTE: Place bracket in higher slot to assemble bottom bunk in higher position.

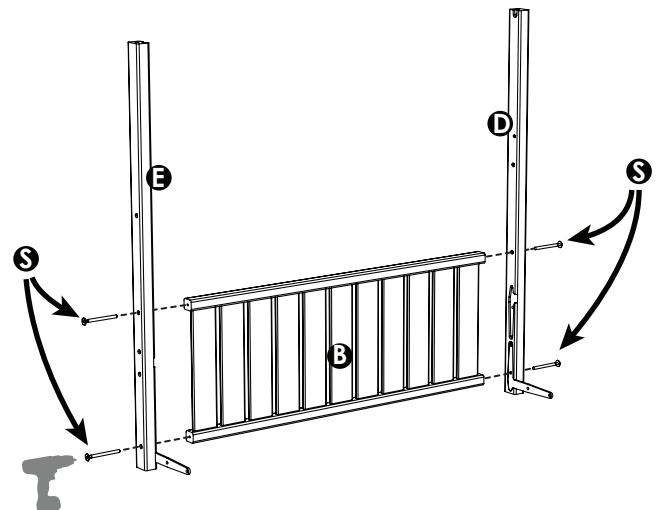
3 Use (4) 3.5" Hex Screws **S** to attach Endboard **B** to the Right Post **E** and Left Post **D**. Repeat with other end.



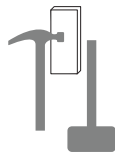
S 3.5" Hex Screw Actual Size
Place screw on paper to verify correct size.



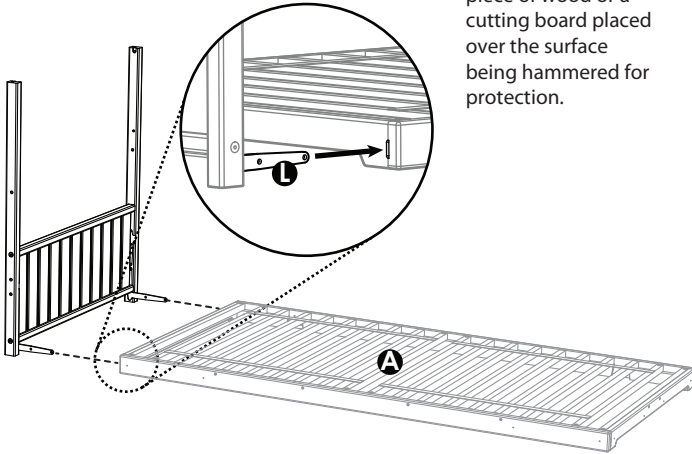
NOTE: With bracket in higher slot, insert screws as shown above.



4 Insert Post Brackets into bed frame slots. Ensure posts are **flush** against bedframe before proceeding (using a rubber mallet if necessary). **Repeat with other side.**



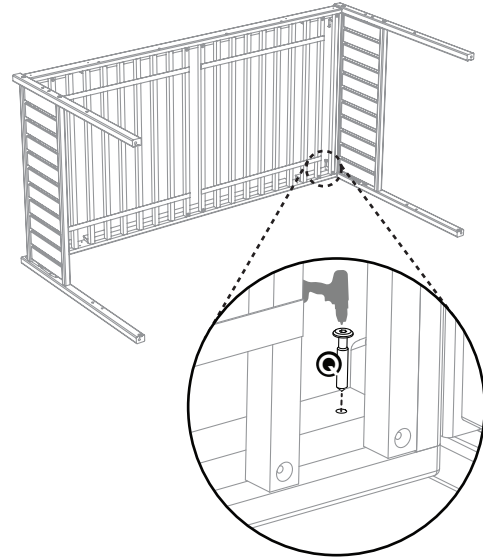
OPTIONAL: A rubber mallet can help push pieces together. A hammer can also be used with a scrap piece of wood or a cutting board placed over the surface being hammered for protection.



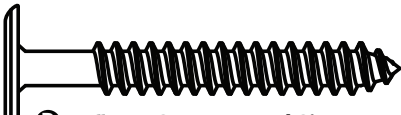
5 Flip frame onto its side, then insert 1.6" Hex Screw **C** to secure end frame to bed frame. Repeat for the other (3) corners.



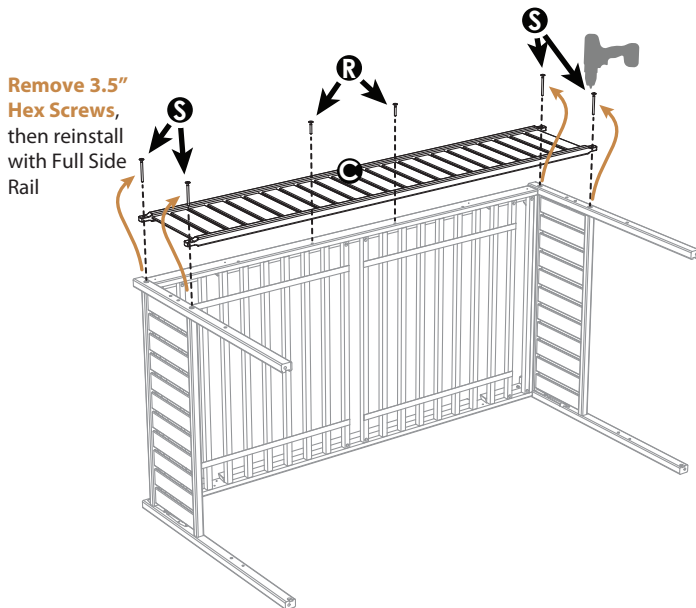
C 1.6" Hex Screw Actual Size
Place screw on paper to verify correct size.



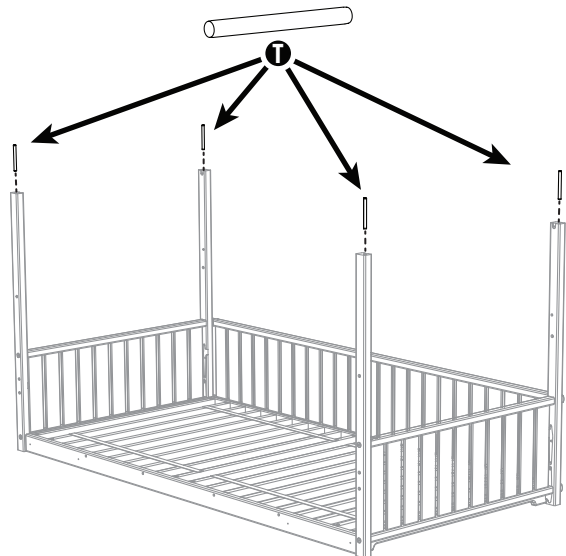
6 Remove all (4) 3.5" Hex Screws **S** from one side of the bed, then install the Full Side Rail **C** with the same screws, as shown. Last, install (2) 2" Hex Screws **R** into holes on lower rail of Full Side Rail.



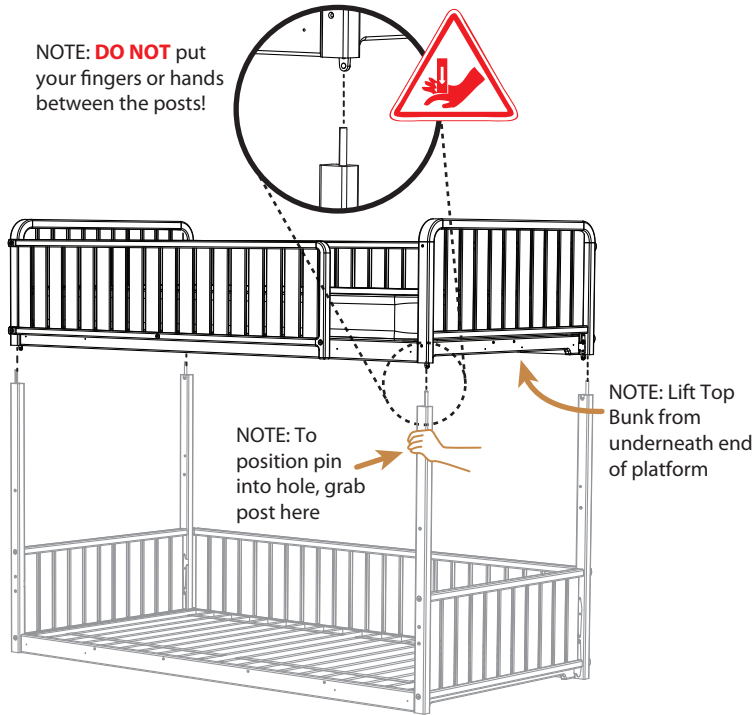
R 2" Hex Screw Actual Size
Place screw on paper to verify correct size.



7 Flip frame back up, then insert (4) 4" pins **T** into top of all four posts. Pins should insert approximately halfway (about 2 inches).

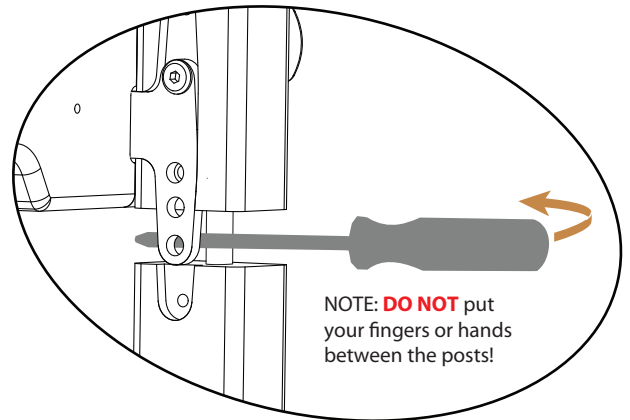


8 With help from another adult, lift up Top Bunk, and place over 4" Pins on Posts.

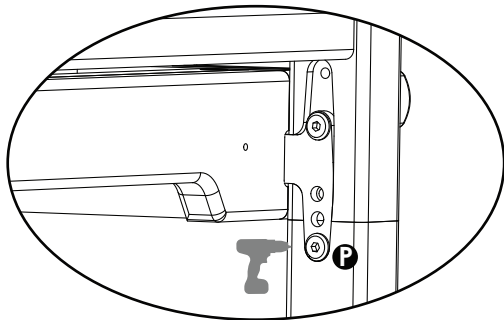
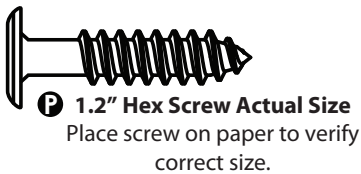


9 Once each corner is correctly set over its pin, push down until flush.

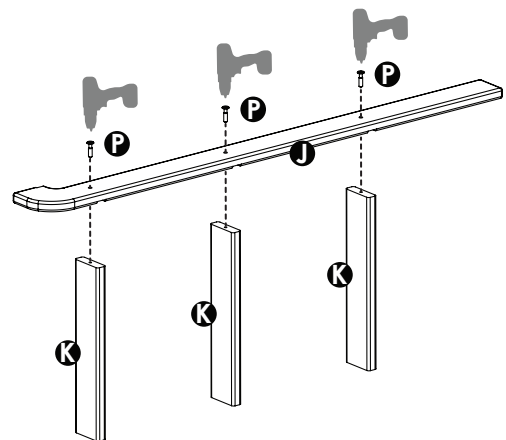
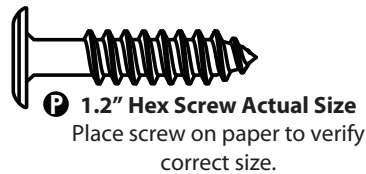
NOTE: If brackets don't slide into slot on top of post, then carefully insert screwdriver and rotate against pin to push the bracket outwards.



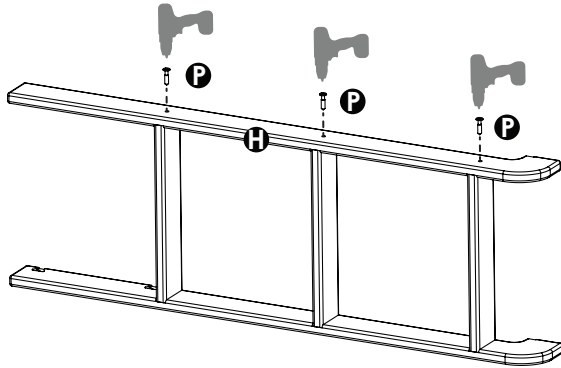
10 Tighten existing screw on downward-facing bracket, as shown. Then insert additional 1.2" Screw **P** into bottom hole to secure the top bunk to the post frame. Repeat on other (3) brackets.



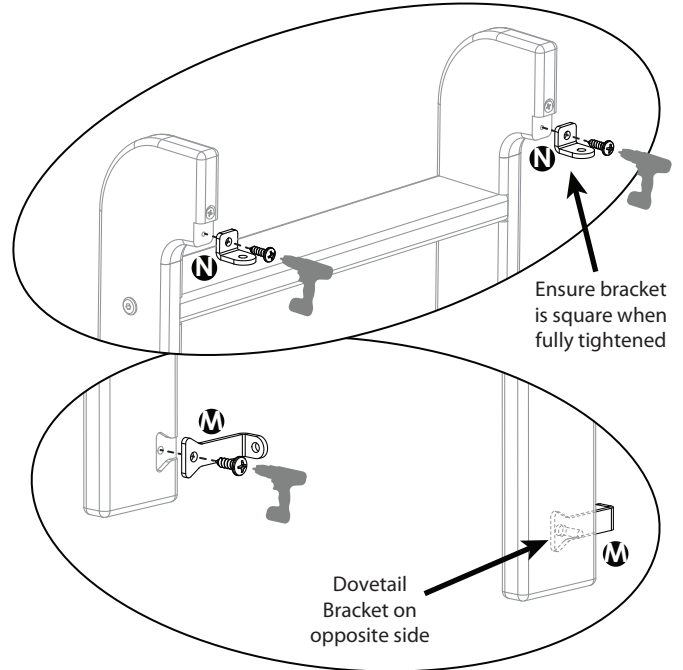
11 Insert 1.2" Hex Screw **P** through Ladder Side into hole on end of Rungs **K**, as shown. Tighten until flush.



12 Repeat for the other Ladder Side. Ensure the ladder sides are oriented with the large portion at the same end.



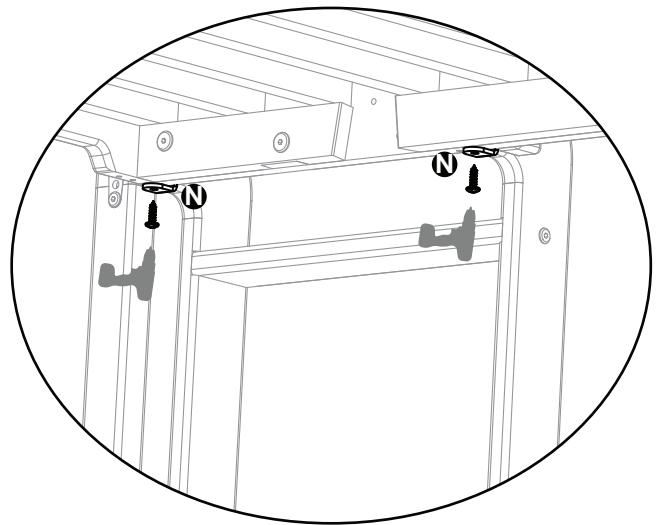
13 Secure L-Brackets (N) to top of ladder using Phillips Screw, as shown. Secure (2) Dovetail Brackets (M) to base of Ladder Sides using Phillips Screw (U), as shown. Use the **Long Phillips Bit** for the ladder assembly.



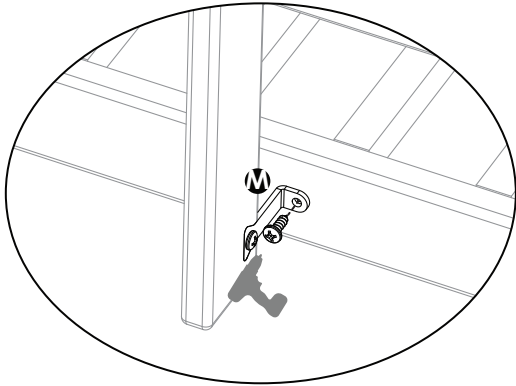
14 Place Ladder into position as shown, with L-brackets fitting underneath top platform, and Dovetail brackets resting against bottom platform.



15 Attach L-brackets (N) to top platform with Phillips Screws (U), as shown. Phillips screws will go through hole in L-bracket into pilot hole on underside of platform.



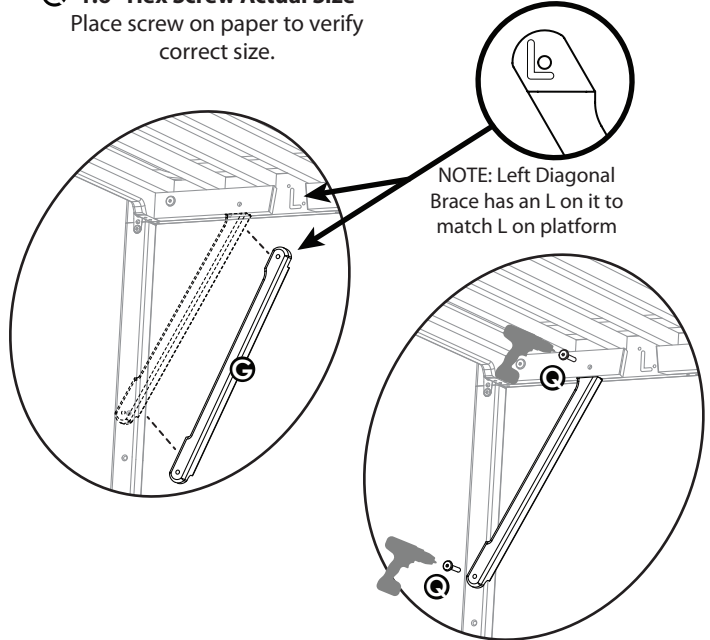
- 16** Attach Dovetail brackets **M** to bottom platform with Phillips Screws **U**, as shown. Phillips screws will go through hole in Dovetail bracket into pilot hole on side of platform.



- 17** Insert Left Diagonal Brace **C** into hole on upper platform in the orientation shown. Insert (2) 1.6" Hex Screws **C** to secure. **Repeat with all (4) corners**, using Right Diagonal Braces on Right Posts, and Left Diagonal Braces on Left Posts.



C 1.6" Hex Screw Actual Size
Place screw on paper to verify correct size.

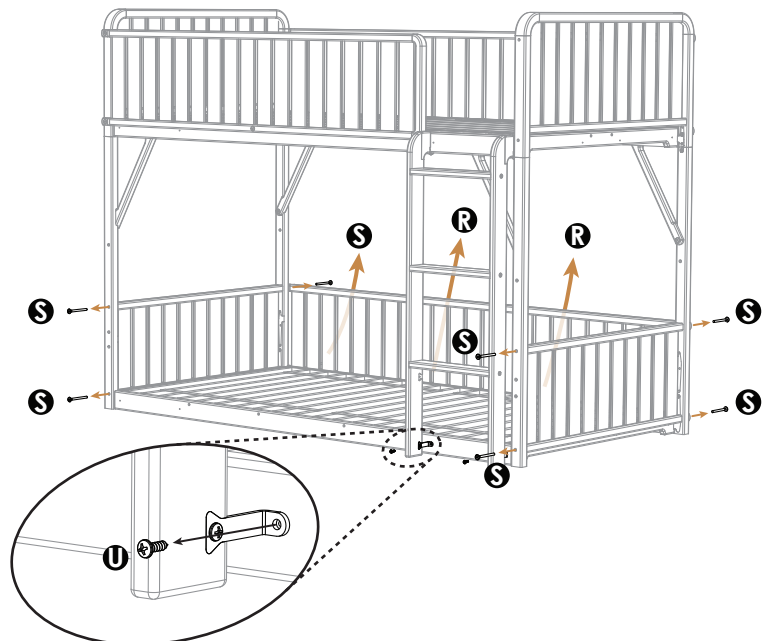


- 18** Hand-tighten all Hex Screws with the Hex Wrench to prevent squeaking. Please see back panel for **safety information**. You are done!

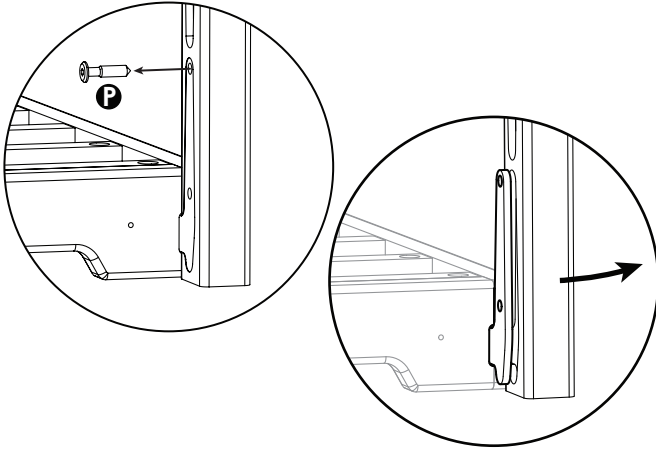


RAISING THE BOTTOM BUNK

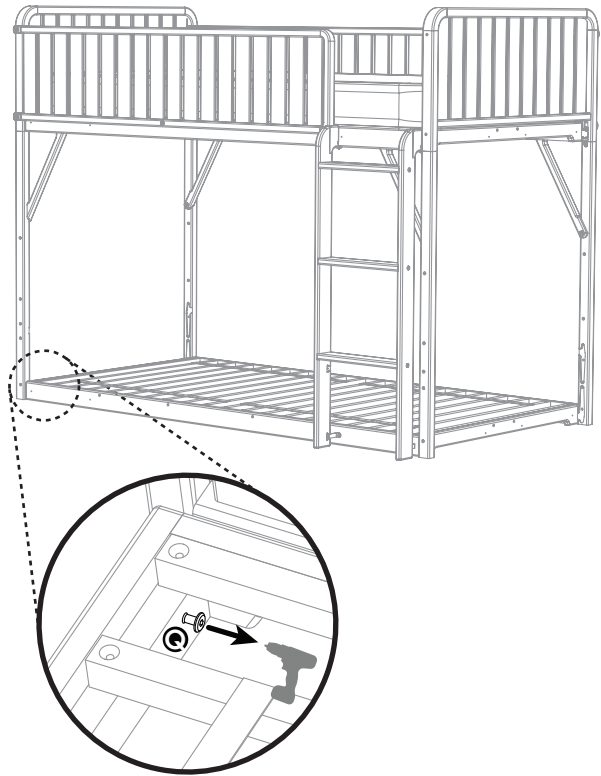
- 19** Remove Phillips screws **U** that connect ladder to bottom platform, and Hex Screws **S** & **R** that connect Full Side Rail & Lower Endboards to Posts. Then set aside Endboards and Full Side Rail.



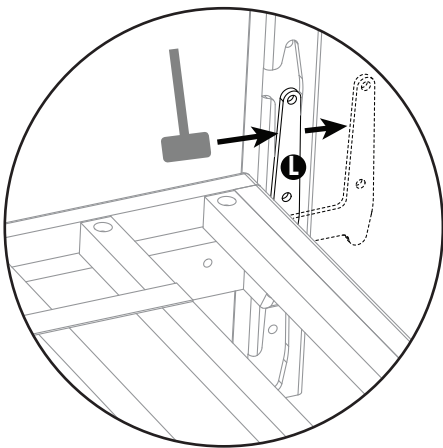
20 Remove 1.2" Hex Screw **P** holding bracket into post. Then carefully push bunk post away from bracket, removing bracket from slot. **Repeat for other 3 posts.**



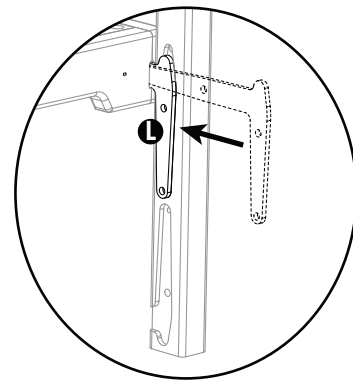
21 Carefully remove (4) 1.6" Hex Screws **C** holding brackets into platform.



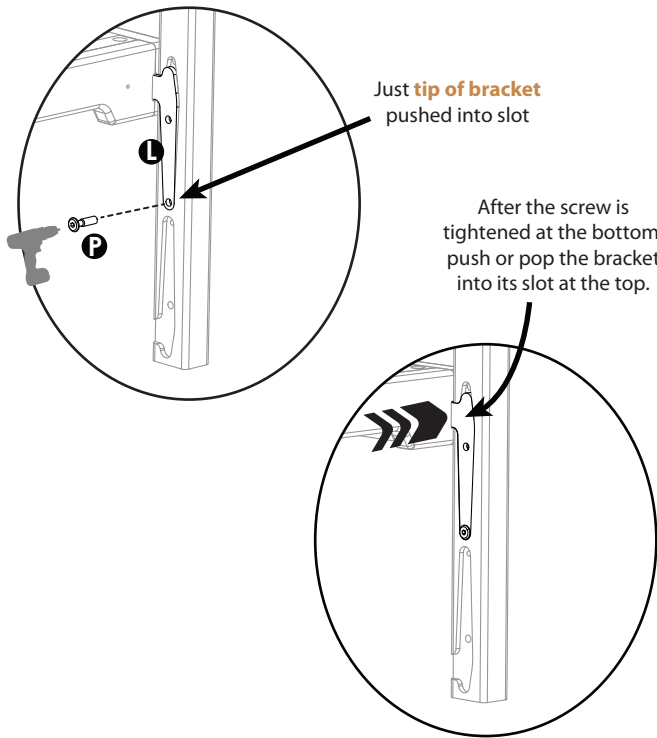
22 Using mallet or hammer, remove (4) brackets **L** from platform. Be careful to **not hit the post.**



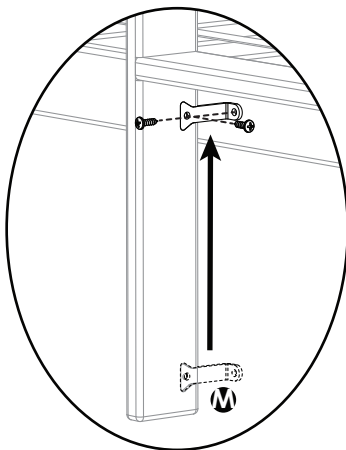
23 With help from another adult, lift up platform. Insert (4) brackets **L** with **long-arm facing downward.**



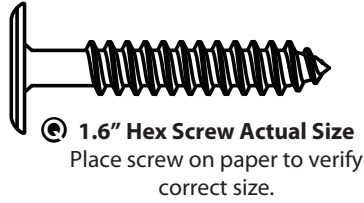
24 While still carefully supporting the platform, **push the tip** of the Bracket **L** into its slot, then insert 1.2" Hex Screw **P** through Bracket into Post to secure. **Repeat with the other 3 Posts.**



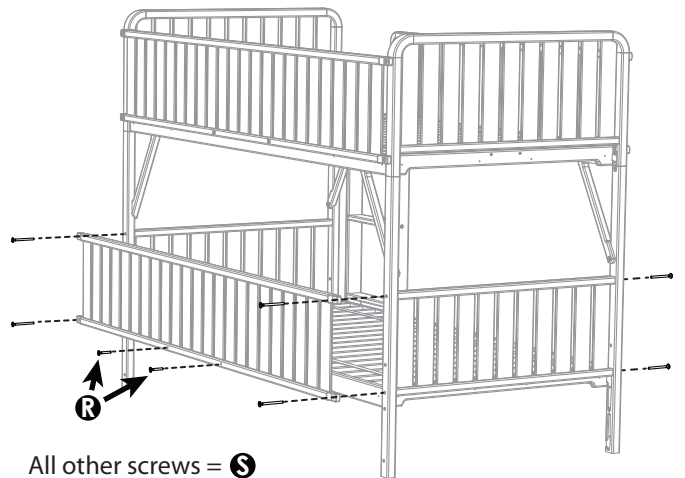
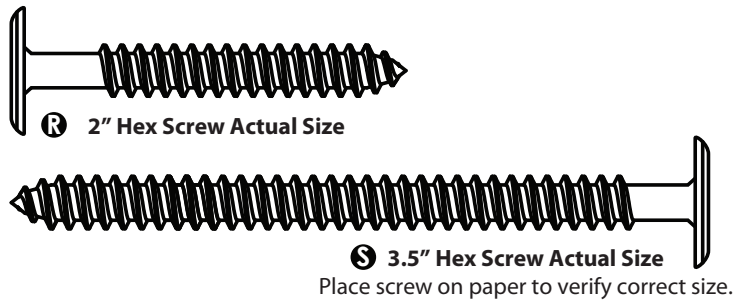
26 Move (2) Dovetail Brackets **M** to higher position, and reattach to platform using Phillips Screws **U**.



25 Carefully re-install (4) 1.6" Hex Screws **C** removed on Step 21, securing the bracket to the platform.



27 Re-attach Endboards and Sideboards in upper position. You're done!



Safety Information

To ensure you have an enjoyable, safe Sosta Bunk Bed experience, please thoroughly read and follow the information provided below. Sprout is not liable for any injury or damage caused by mis-use or incorrect assembly.

Mattress Guidelines for Safe Use

- ◆ **Always** use the recommended mattress size to help prevent entrapment or falls.
- ◆ The top & bottom bunks of this bed are designed for Twin Mattresses measuring **75" L x 38" W**. For additional mattress information visit sprout-kids.com/mattress
- ◆ Recommended Mattress Thickness: **4" - 8"**
- ◆ **Never** use a mattress that exceeds 8" on the top bunk. The top surface of the mattress must be at least **5"** (127mm) **below** the upper edge of the guardrails.
- ◆ **Never** use a bunkie board or a mattress box spring.
- ◆ **Never** use water or sleep rotation mattresses.

Bunk Bed Safe Use Guidelines

- ◆ **Only 1 person on the top bunk at a time.**
- ◆ **Never** allow children under 6 years of age to use the upper bunk.
- ◆ **Always** use the ladder for entering and leaving the upper bunk.
- ◆ Use of a night light is recommended as an added safety precaution for the child using the upper bunk.
- ◆ **Always** use guardrails on both long sides of the upper bunk. If the bunk bed is placed next to the wall, the guardrail that runs the full length of the bed should be placed against the wall to prevent entrapment between the bed and the wall.
- ◆ **Never** allow horseplay on or under the bed and prohibit jumping on the bed.
- ◆ **STRANGULATION HAZARD**–Never attach or hang items to any part of the bunk bed that are not designed for use with the bed; for example, but not limited to, hooks, belts, and jump ropes.
- ◆ **Follow** the information on the warnings appearing on the upper bunk end structure and on the package. **Do not remove the warning label from bed.**
- ◆ **This Bunk Bed was NOT designed to be used as a Loft Bed, and cannot be converted into a Loft Bed without the proper parts.** Do not use this Bunk Bed without having both platforms properly assembled and fully installed.
- ◆ Periodically check and ensure that the guardrail, ladder, and other components are in their proper position, free from damage, and that all connectors are tight.
- ◆ **To request replacement parts in cases of damage or defect, contact Sprout.**
Email: support@sprout-kids.com, Phone: 833-530-0033 Mon-Fri 9-4 PM MST
- ◆ **Never** use substitute parts.
- ◆ **Weight Limits:** Top Bunk - 250 lbs., Bottom Bunk - 400 lbs.

Keep these instructions for future reference.