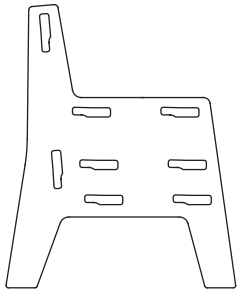
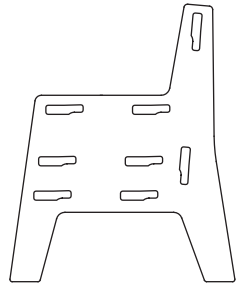


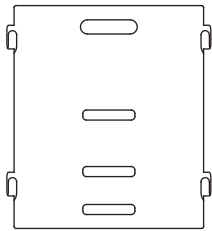
PARTS



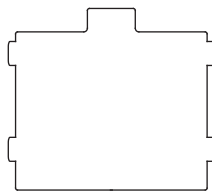
A
Right Side



B
Left Side



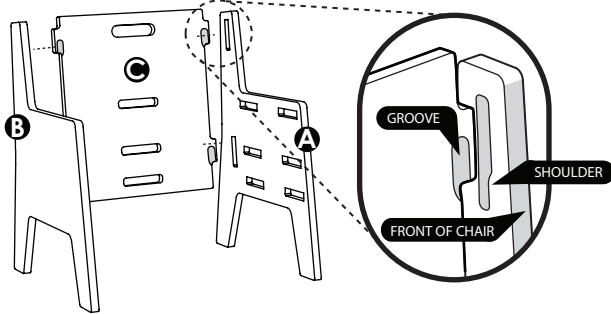
C
Back



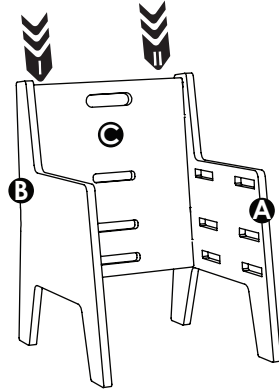
D
Seat

ASSEMBLY INSTRUCTIONS

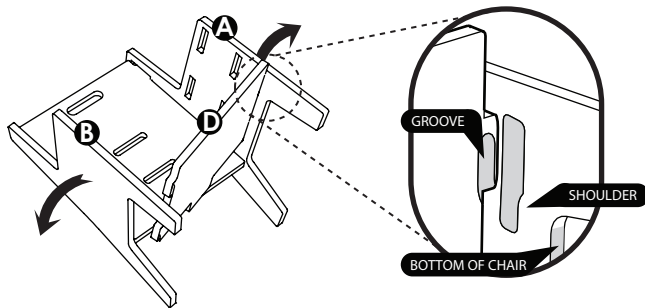
- 1** Put tabs on Back **C** into slots on Sides **A** & **B**. Make sure the grooves are facing towards the front of the chair.



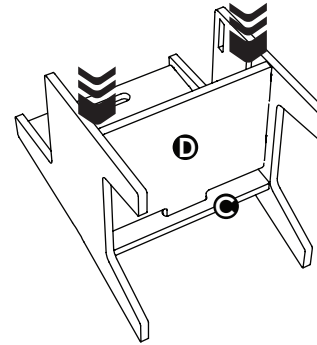
- 2** Tighten joints on one side (I) then on the other side (II) by pushing down top corner of Back **C**.



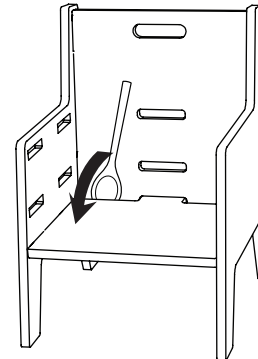
- 3** Lay chair on its back. Gently bend Sides **A** & **B** apart to fit Seat **D** tabs into slots. Make sure the grooves are facing towards the bottom of the chair. The slots used determine seat height.



- 4** Firmly push down on Seat **D** to lock into place. Large tab of Seat **D** goes in slot on Back **C**.



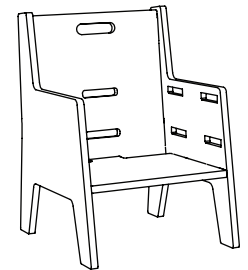
- 5** To remove seat, use an object that will not scratch the wood as a lever to loosen tabs, as shown.



sprout

Simple. Modern. American Made.

WEANING CHAIR



- ⚠ Adult assembly only
- ⚠ Assemble completely before use
- ⚠ Weight capacity 150 lbs

STOP Frustrated?
Need Help?

Talk to our customer
service agent at:
+1 (833) 530-0033
Or email us at:

support@sprout-kids.com

Watch our assembly video at:

sprout-kids.com/pbja