



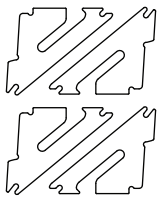
Cultivate Resilience



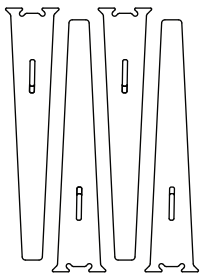
WORK TABLE

PARTS

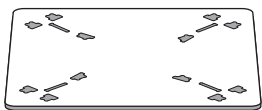
A Brackets (4)



B Legs (4)



C Tabletop

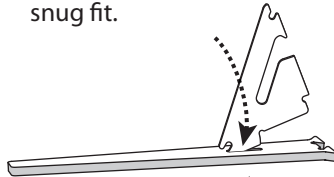


ASSEMBLY VIDEO ▶

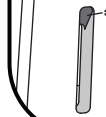
Enjoy the best assembly experience
sprout-kids.com/wta



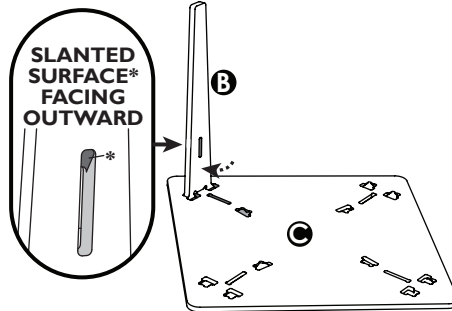
1 Insert each bracket into leg in and out 3x. This crushes the wood slightly and ensures a snug fit.



SLANTED SURFACE* FACING OUTWARD



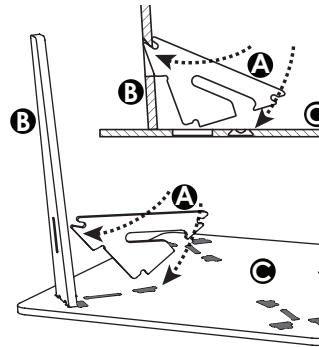
2 Remove bracket from leg, and slide end of leg into slot on tabletop.



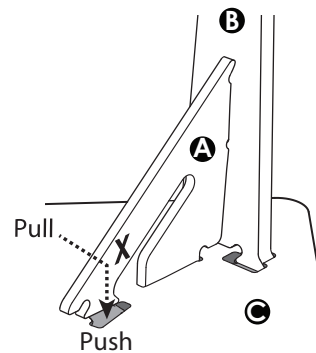
SLANTED SURFACE* FACING OUTWARD



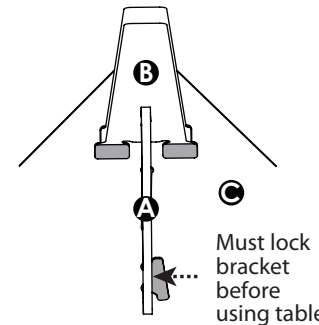
3 Insert bracket tip into slot on leg, and rotate down bottom corner.



4 Pull tip X of bracket over and push down into slot.



5 Push bracket in to lock in place.



6 Repeat steps 2-5 for each leg and you're done!

NEED HELP?



+1 (833) 530-0033
support@sprout-kids.com
Available M-F 8-4 MST

WARRANTY & CARE

Preserve your **5 year warranty** (if you purchased from Sprout) and prolong the life of your table by following our care and cleaning tips.

Learn how to care for your table with our detailed guide.
sprout-kids.com/cleaning



Use mild cleaners only



Use a damp cloth & wipe dry



Weight limit 150 lbs

DESIGNED FOR GROWTH

Learn how to adjust the table height for your child's growth.
sprout-kids.com/legs



INSPIRE SOMEONE

We'd love to see what you've created! If you choose to share a picture or video with your new table, tag or DM us.

@sprout_kids

SHARE YOUR INSIGHTS

You're invited to join the Sprout Advisory Board and help shape future products.
sprout-kids.com/board

