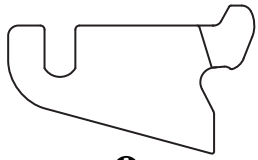
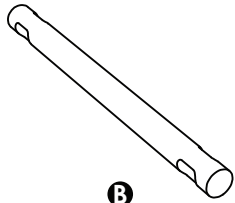


PARTS



A

(2) Brackets

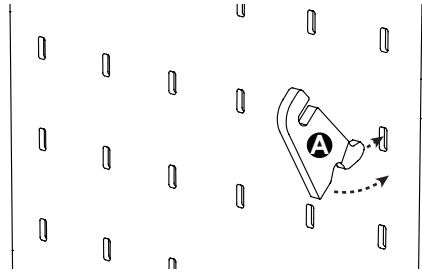


B

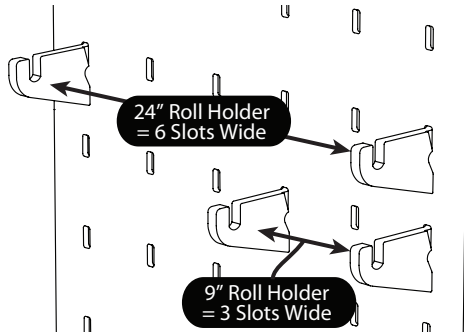
Dowel

ASSEMBLY INSTRUCTIONS

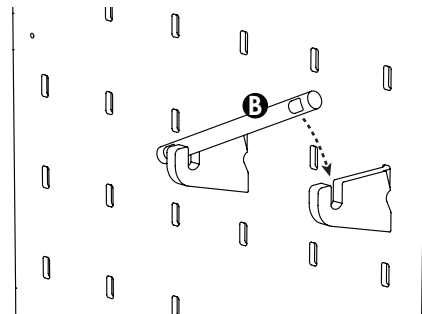
- 1** Insert (1) Bracket **A** into desired location on slotboard.



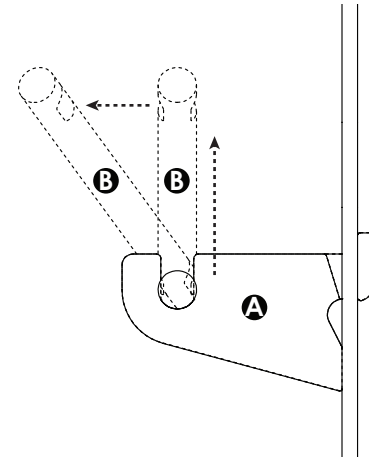
- 2** Insert the other Bracket **A** into slot the correct distance away.



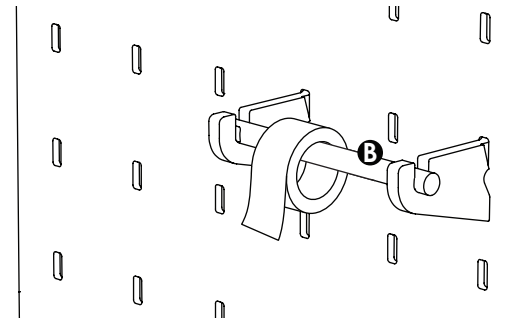
- 3** Place grooved end of Dowel **B** into slots on Brackets **A**, as shown.



- 4** To place tape, ribbon, etc onto the dowel, pull one end up and over as shown.



- 5** Replace the end of the Dowel **B** into the slot on the bracket.



sprout

Simple. Modern. American Made.

MakerWall Roll Holder

⚠ Adult assembly only

⚠ Assemble completely before use

STOP Frustrated?
Need Help?

Talk to our customer service agent at:
+1 (833) 530-0033