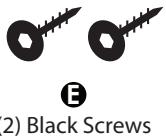
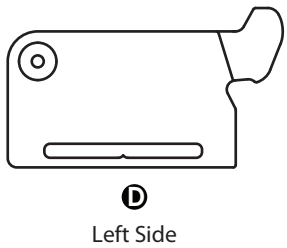
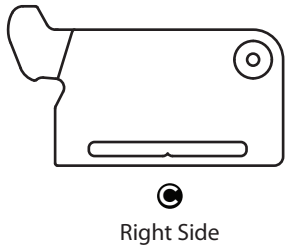
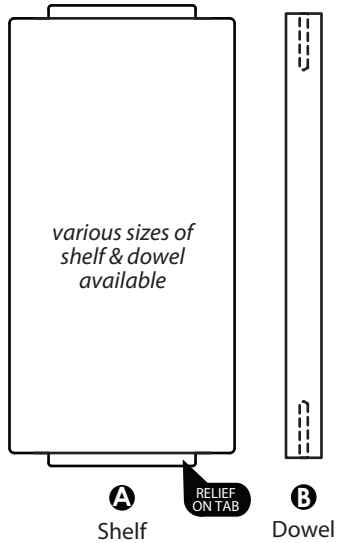
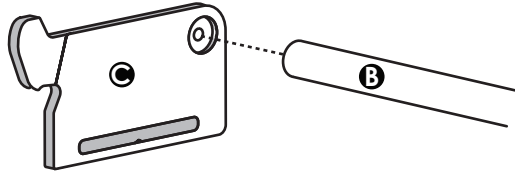


PARTS

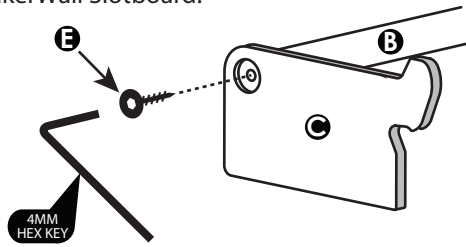


ASSEMBLY INSTRUCTIONS

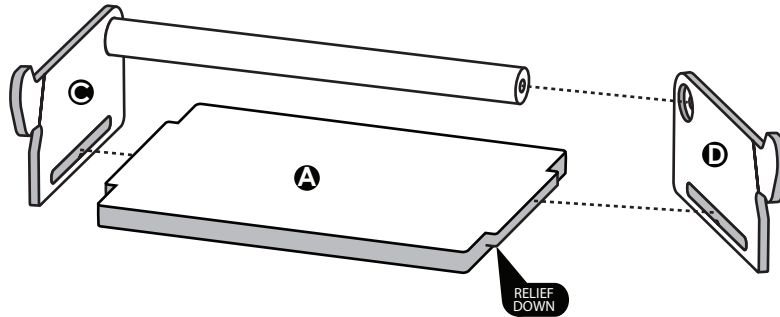
- 1** Put dowel **B** into inside hole on right side **C**.



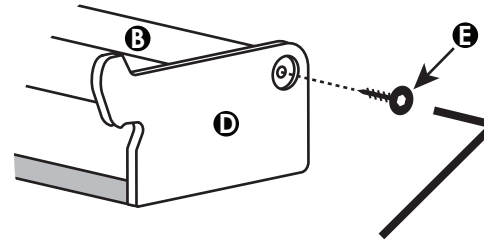
- 2** Screw Black Screw **E** through Right Side **C** into Dowel **B**. Tighten all the way using the 4mm Hex Key or 4mm Hex Driver that came with the MakerWall Slotboard.



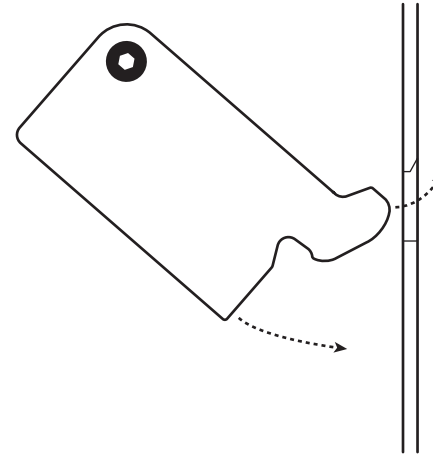
- 3** With the relief on the tab facing downward, press the tab of Shelf **A** into slot on Right Side **C**. Then press in Left Side **D** on the opposite end.



- 4** Repeat Step 2 with Left Side **D**. Tighten the Black Screw **E** all the way.



- 5** Position the jar shelf on the slotboard as desired.



sprout
Simple. Modern. American Made.

MakerWall Jar Shelf

⚠ Adult assembly only

⚠ Assemble completely before use

STOP Frustrated?
Need Help?

Talk to our customer service agent at:
+1 (833) 530-0033