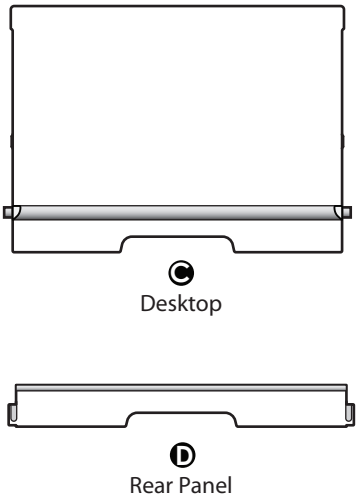
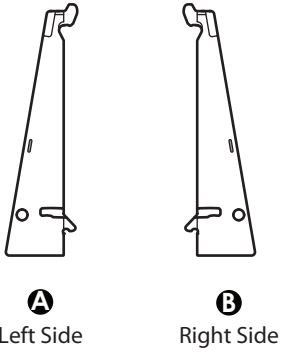
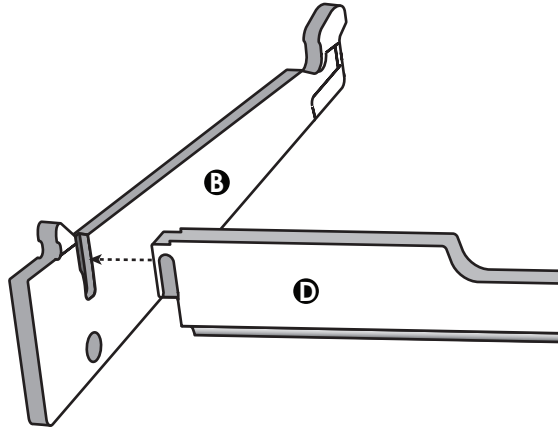


PARTS

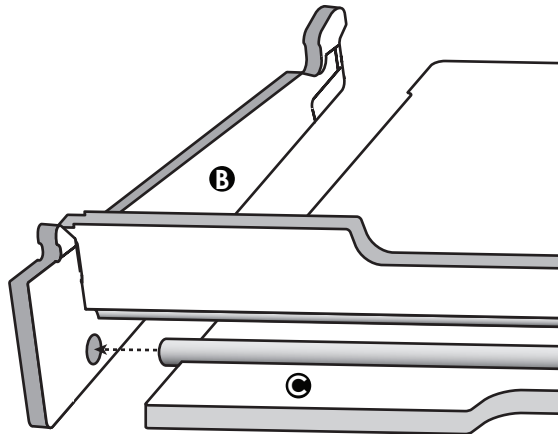


ASSEMBLY INSTRUCTIONS

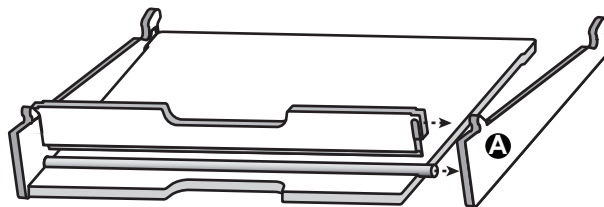
- 1** Insert tab on Rear Panel **D** into slot on Right Side **B**, as shown. Do not tighten.



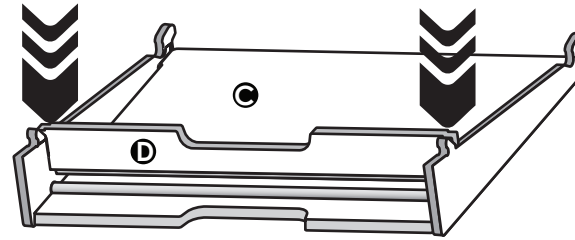
- 2** Insert dowel on Desktop **C** into circular hole on Right Side **B**, as shown.



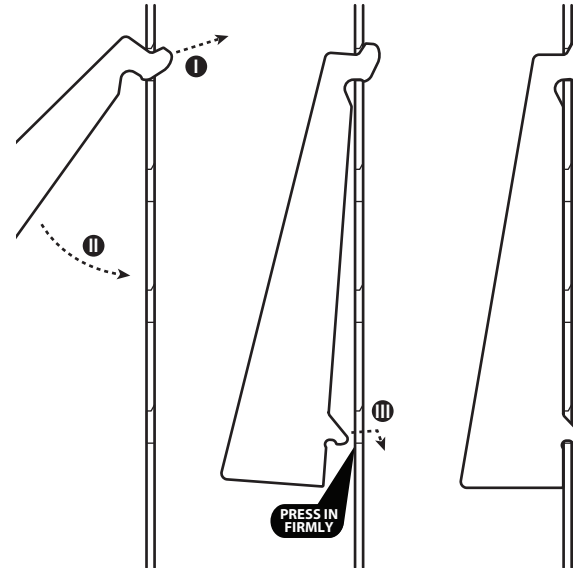
- 3** Repeat Steps 1-2 for the Left Side **A**.



- 4** Push down Rear Panel **D** on **both sides** until flush with dowel on Desktop **C**.



- 5** Picking up entire Folding Desk Attachment, and holding the top together, insert into Slotboard, as shown.



sprout

Simple. Modern. American Made.

MakerWall Folding Desk

⚠ Adult assembly only

⚠ Assemble completely before use

STOP Frustrated?
Need Help?

Talk to our customer
service agent at:
+1 (833) 530-0033