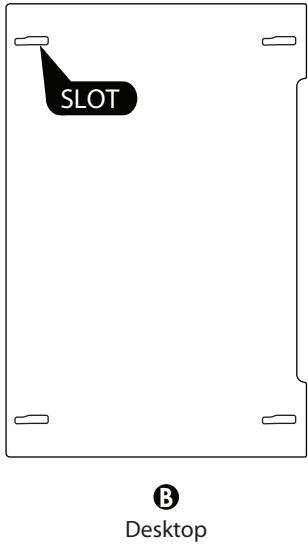
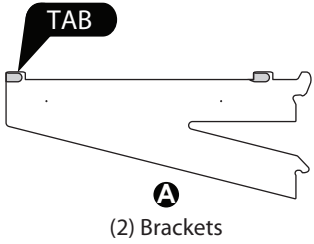
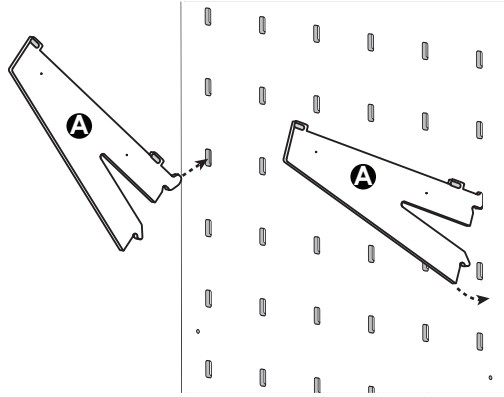


PARTS

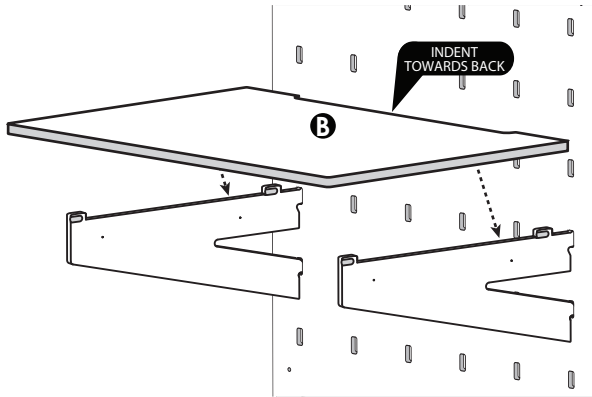


ASSEMBLY INSTRUCTIONS

- 1 Insert Brackets **A** into slotboard at desired height. Ensure there are **4 empty slots** between the two bracket locations.



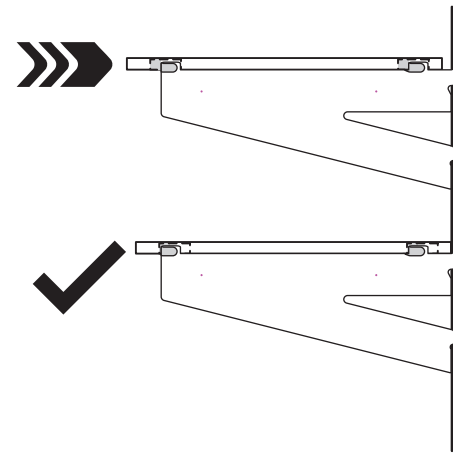
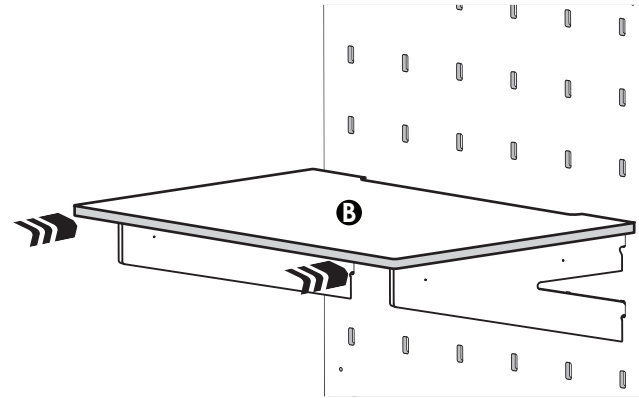
- 2 Gently set Desktop **B** on top of brackets with the indented side facing back towards the slotboard, and the shelf slots facing down.



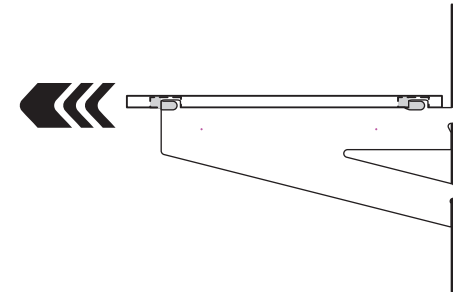
- 3 Place tabs into open slot.



- 4 Push desktop tight against slotboard to tighten the joints.



- * **For disassembly**, loosen tabs and remove desktop from brackets before removing brackets from slotboard.



sprout
Simple. Modern. American Made.

MakerWall Desk

- ⚠ Adult assembly only
- ⚠ Assemble completely before use

STOP Frustrated?
Need Help?

Talk to our customer
service agent at:
+1 (833) 530-0033