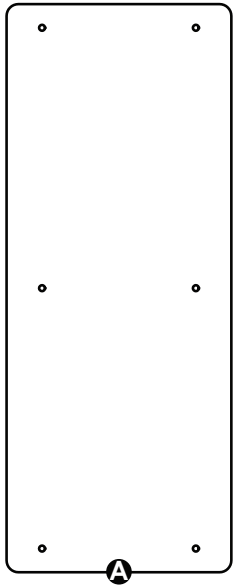
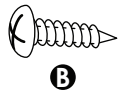


## PARTS



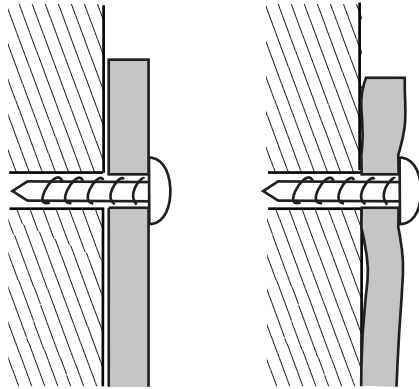
(1) Mirror



(6) Mirror Screws

## BEFORE YOU START

**\*** Do not tighten the screw too tight. This will cause the Mirror to bend and warp.

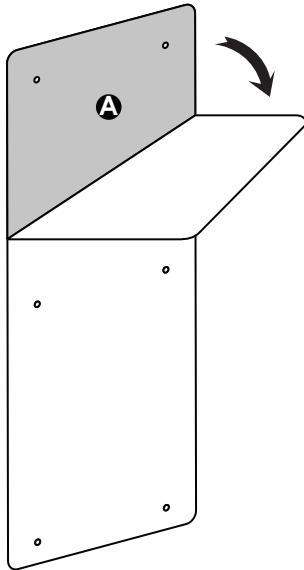


3

7

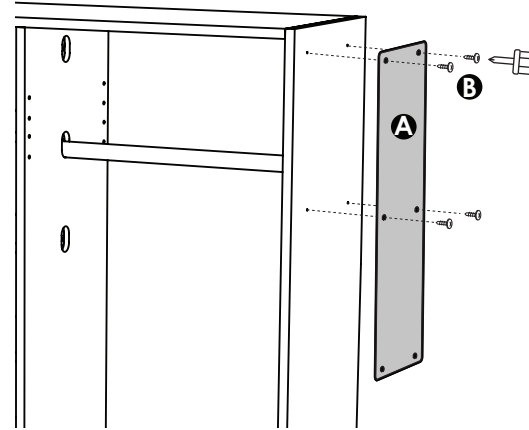
## ASSEMBLY INSTRUCTIONS

**1** Gently remove protective film on Mirror **A**.

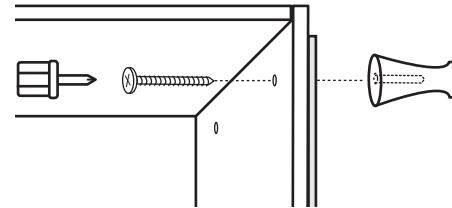


**2** Install Mirror **A** by threading (4) Mirror Screws\* **B** onto side of Wardrobe into indicated holes.

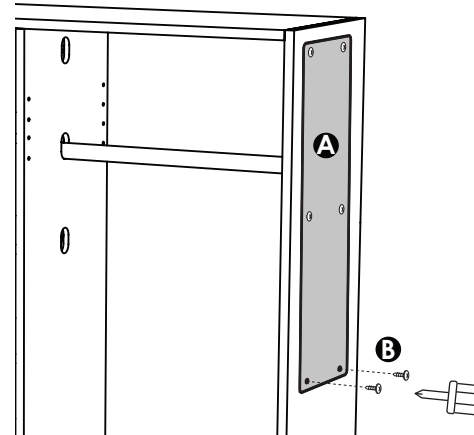
**Note:** Mirror can be installed on either side.



**\*** If desired, use a Peg & Peg Screw in place of a Mirror Screw, as shown.



**3** For additional stability, thread (2) Mirror Screws **B** through bottom holes on Mirror **A** and into side of Wardrobe, as shown.



**sprout**

Simple. Modern. American Made.

## WARDROBE MIRROR

**!** Adult assembly only

**!** Assemble completely before use



**STOP** Frustrated?  
Need Help?

Talk to our customer service agent at:

**+1 (833) 530-0033**

Or email us at:

**support@sprout-kids.com**