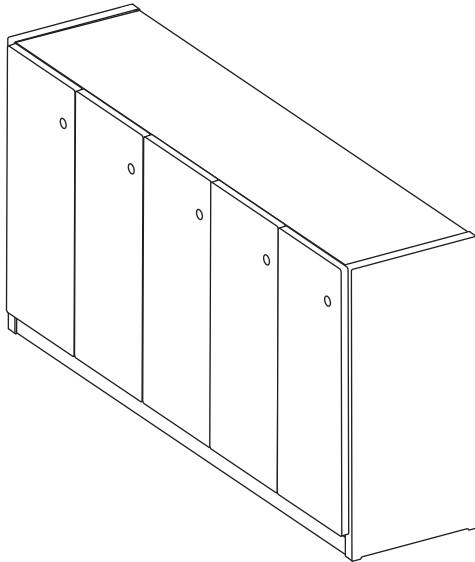




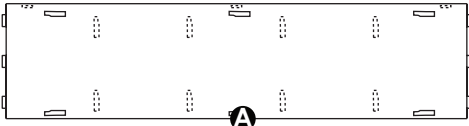
Simple. Modern. American Made.

Single Row Lockers

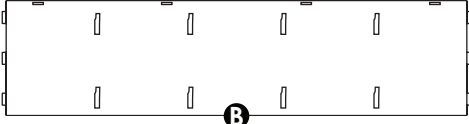


Adult assembly only
2 Adults required for assembly
Assemble completely before use

PARTS



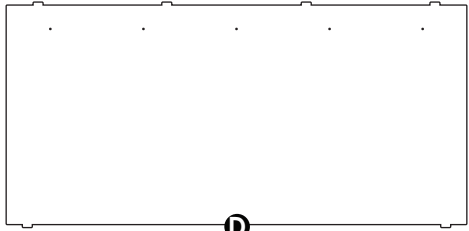
(1) Bottom



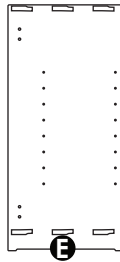
(1) Top



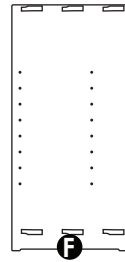
(2) Toes



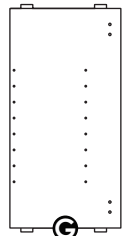
(1) Back



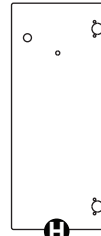
(1) Left Side



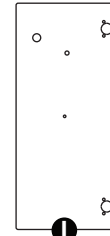
(1) Right Side



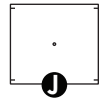
(4) Vertical Dividers



(4) Door



(1) End Door



(10) Shelves



(40) Shelf Pins



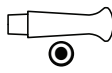
(5) Long Screws



(5) Washers



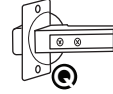
(5) Pegs with Hole



(5) Pegs with Knob



(10) Hinge Clips



(10) Hinges

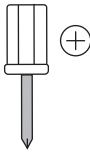


(40) Short Screws

BEFORE YOU START



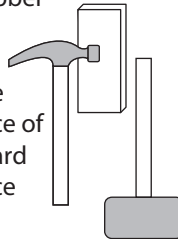
REQUIRED: A phillips head screwdriver.
A drill with a phillips head driver can also be used, but is not required.



REQUIRED: Wood glue is used to permanently attach the door pegs. Using other glue types may affect curing and workability time.



RECCOMENDED: A rubber mallet can help push pieces together. A hammer can also be used with a scrap piece of wood or a cutting board placed over the surface being hammered for protection.





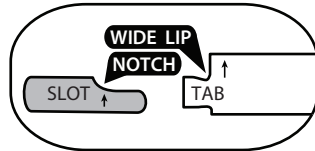
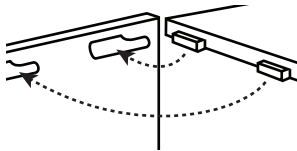
Frustrated?
Need Help?

Talk to our customer service agent at:
+1 (833) 530-0033

TAB ORIENTATION

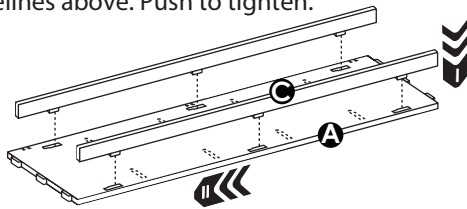


When inserting tabs into slots make sure the side with the wider lip on the tab faces the same direction as the notch in the slot.

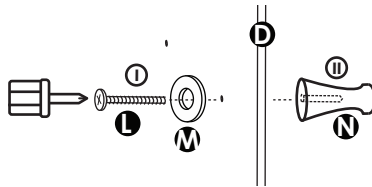


PREPARE PARTS

- 1 Install Toes **C** by placing tabs into slots on Bottom **A** as shown below. Ensure to orient parts according to guidelines above. Push to tighten.



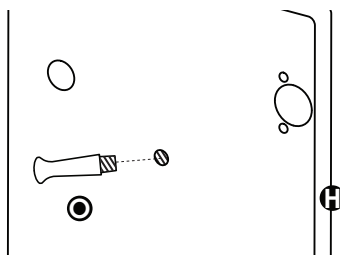
- 2 Install Pegs **N** on Back **D** by inserting Long Screw **L** through holes with Washer **M**, then thread on Peg.



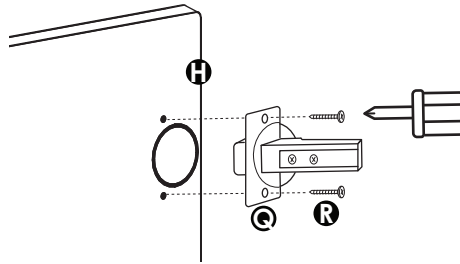
- 3 Install Pegs **C** on Doors **H** and **I** by applying a dot of glue to bottom of the slot and a thin layer to end of the Peg. Insert Peg into slot on each door. Wipe off excess glue with a damp cloth. **Ensure to apply glue just before connecting parts together.**



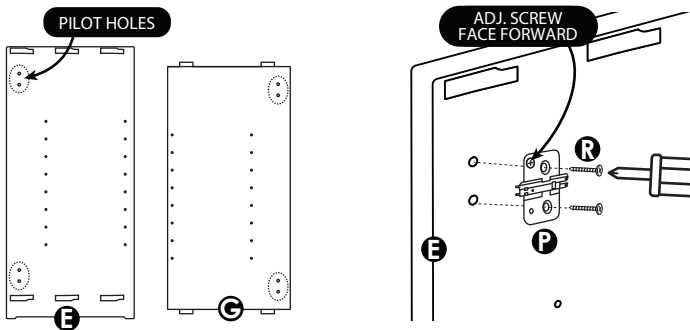
GLUE



- 4** Install Hinges **Q** into slots on Doors **H** and **I** by screwing (2) Short Screws **R** into pilot holes on Door, as shown below.

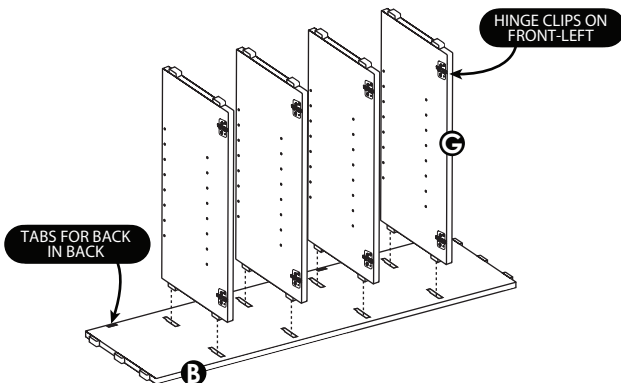


- 5** Install Hinge Clips **P** by screwing (2) Short Screws **R** into pilot holes indicated on Left Side **E** and Vertical Dividers **G**. Make sure that the Adjustment Screw is facing forward, as shown.

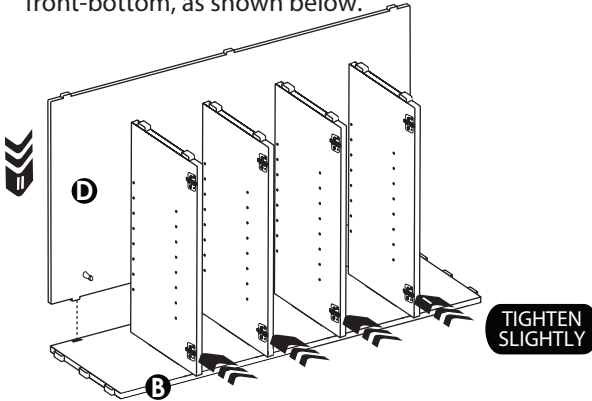


ASSEMBLY INSTRUCTIONS

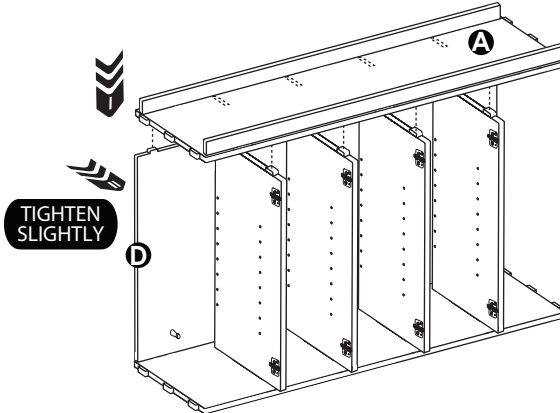
- 1** With the help of another adult, insert tabs on Vertical Dividers **G** into slots on Top **B**. Ensure that Dividers are oriented so that Hinge Clips are on the front-left. Top should be oriented with slots for Back in the back.



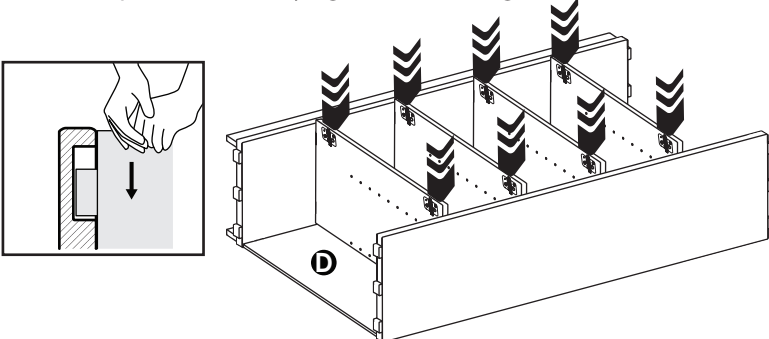
- 2** Tighten the assembly **slightly**. Place tabs on Back **D** into slots on Top **B**. Have another adult help steady the assembly. Ensure the Back is oriented with Pegs on the front-bottom, as shown below.



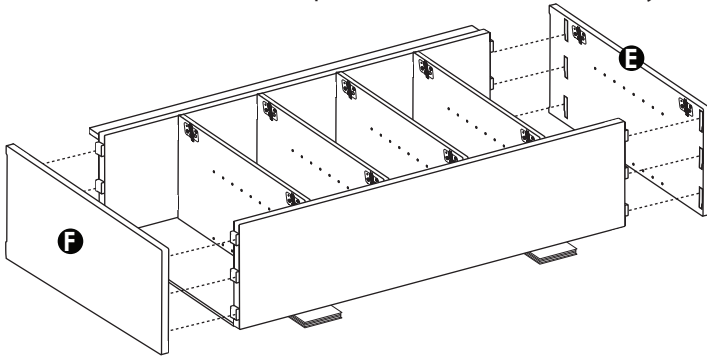
- 3** With the help of another adult, pop Bottom **A** onto tabs, starting at one end working down. Ensure slots for Back **D** are on the correct side. Tighten **slightly**.



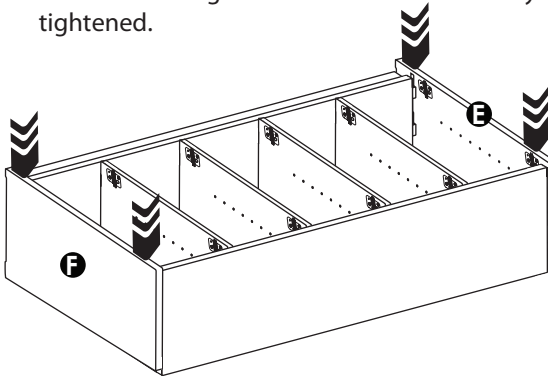
- 4** With the help of another adult, carefully tilt assembly onto Back **D**. Push down on each corner to lock into place. When fully tightened, the edges should be flush.



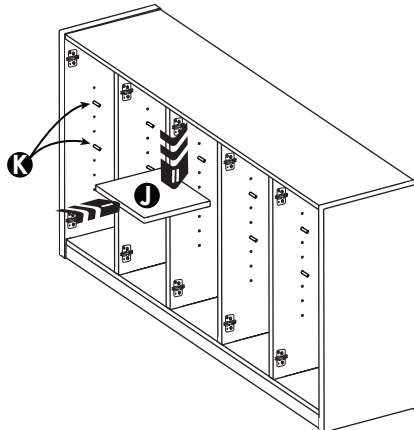
- 5** With the help of another adult, pop Sides **E** and **F** onto tabs on each side of the assembly. A book can be placed under each side to provide more room if necessary.



- 6** Lock Sides **F** and **E** into place by pushing down on each corner. Edges should be flush when fully tightened.

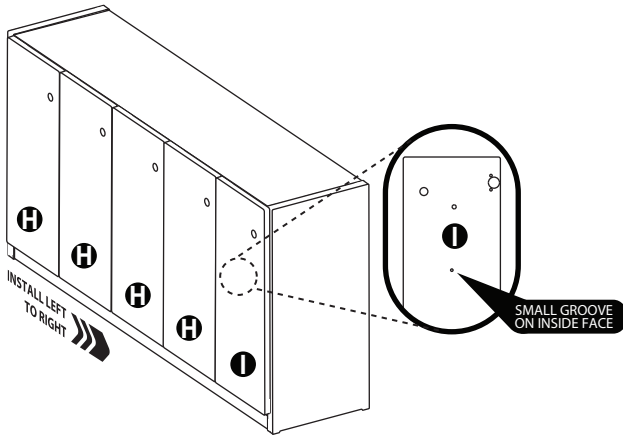


- 7** With the help of another adult, carefully tilt assembly up onto feet. Insert Shelf Pins **K** into holes at the desired height and rest Shelf **J** on Pins. Each locker should have (2) Shelves, and each Shelf will use (4) Pins.

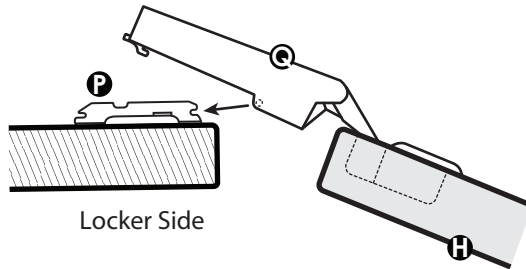


DOOR ASSEMBLY

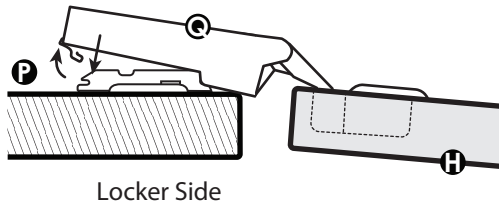
- 1 Doors **H** and **I** will need to be installed from left to right. Note that the End Door **I** has a small circular groove on the inside face, as depicted below.



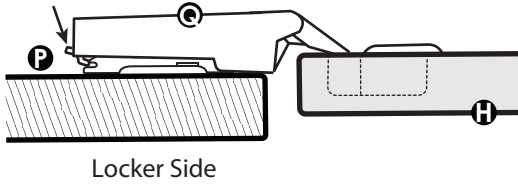
- 2 To attach Door **H**, carefully attach Hinge **C** to Hinge Clip **P** by inserting as shown below.



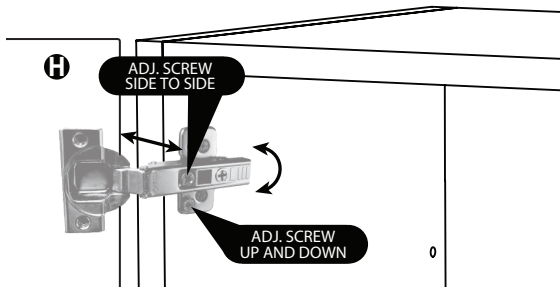
- 3 Once in position, push the Hinge **C** lever and rotate Hinge flush with the Locker Side until Hinge is locked into Hinge Clip **P**.



- 4** To take Door **H** off push on lever and rotate Hinge **C** to release it from Hinge Clip **P**.



- 5** Adjust Door **H** to align flush with outer edges of unit using the Adjustment Screws as shown below.



- *** Repeat steps with the rest of the Doors **H** and **I**.