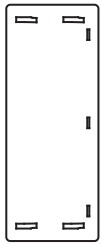


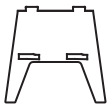
Parts



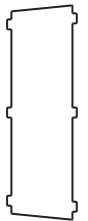
A (1) Bench Top



B (1) Bottom Shelf

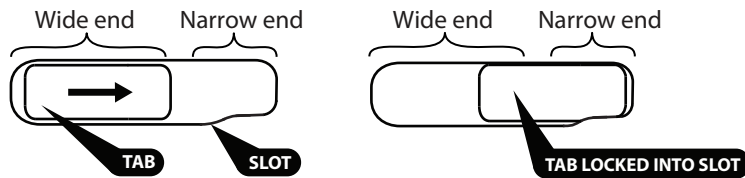


C (2) Sides



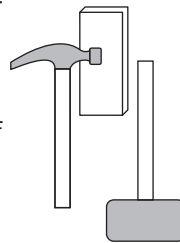
D (1) Back Panel

BEFORE YOU START



***** To tighten a joint, place tabs into the **wide end** of the slot and slide toward **narrow end** until locked, as shown.

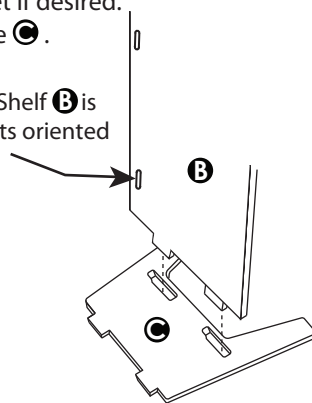
! RECOMMENDED: A rubber mallet can help push pieces together. A hammer can also be used with a scrap piece of wood or a cutting board placed over the surface being hammered for protection.



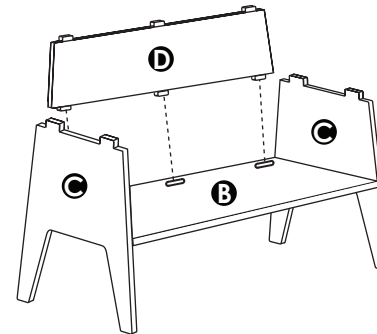
ASSEMBLY INSTRUCTIONS

1 Insert tabs of Bottom Shelf **B** into slots of one Side **C**. Then tighten per *****, using a rubber mallet if desired. Repeat for other Side **C**.

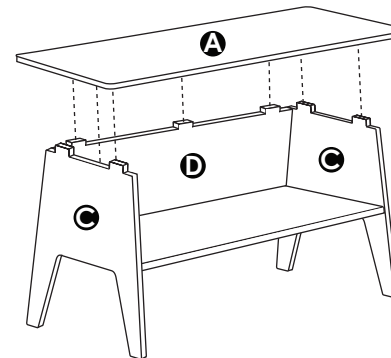
! Make sure Bottom Shelf **B** is positioned with slots oriented as shown.



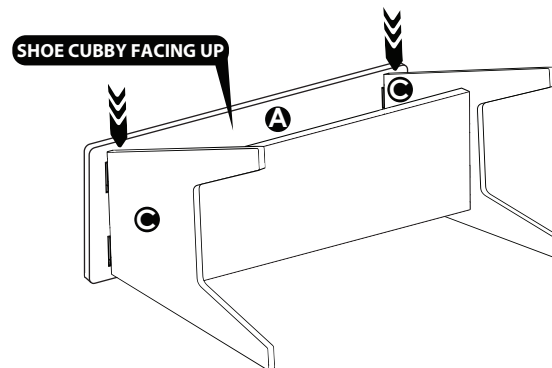
2 Place tabs of Back Panel **D** into slots on the top surface of Bottom Shelf **B**.



3 Put slots on Bench Top **A** over tabs on Sides **C** and Back Panel **D**.

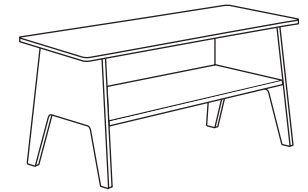


5 Lay bench on back, with shoe cubby facing up. Press down firmly on Sides **C** to tighten per *****, as shown. If desired, use a rubber mallet.



sprout
Simple. Modern. American Made.

Kids Shoe Bench



- !** Adult assembly only
- !** Assemble completely before use
- !** Rubber mallet recommended for assembly

STOP Frustrated?
Need Help?

Talk to our customer service agent at:
+1 (833) 530-0033