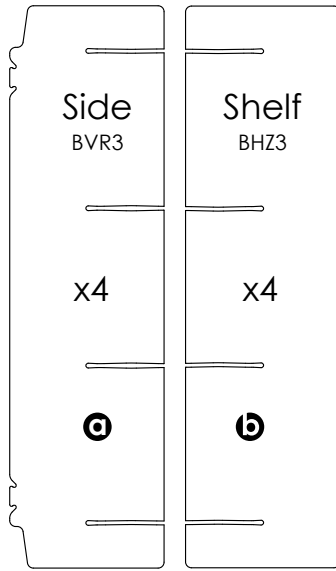
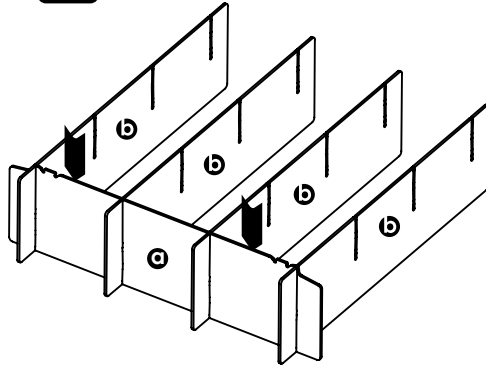


Parts

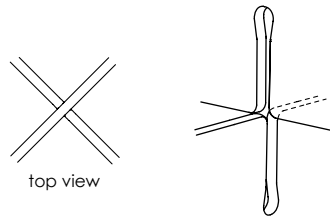


Instructions

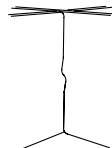
1 Assemble 1 side **a** and all 4 of the **b** shelves.



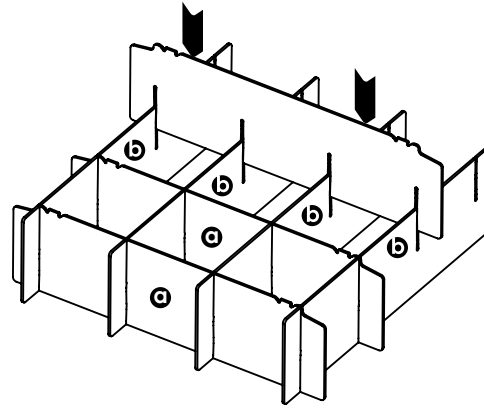
Note: To assemble correctly, align the slots perpendicularly to each other.



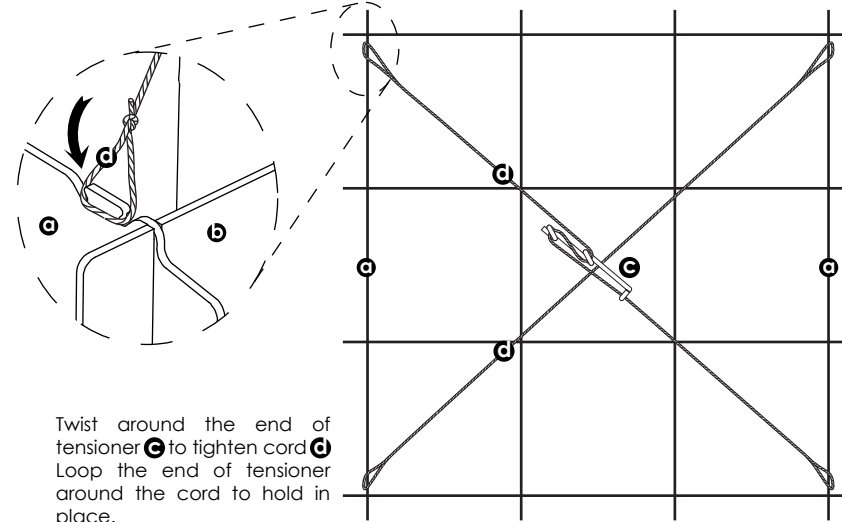
Press the slots to the locked position. This will require some force. **For easiest assembly, position yourself above the joint and use your weight to press down.** There should be no room between the slots when you are done.



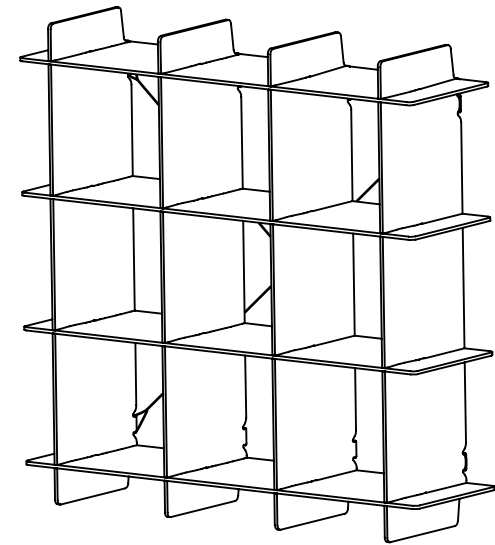
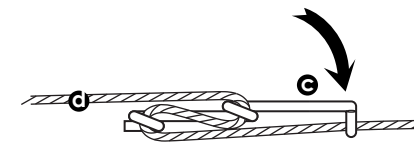
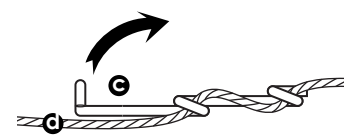
2 Slide in the remaining **a** sides, one by one. Press them down tight until they are flush with the shelves **b**.



3 Loop the ends of the tension cords **c** around the tabs on the perimeter sides **a**, making an X across the back of the cubby shelf.



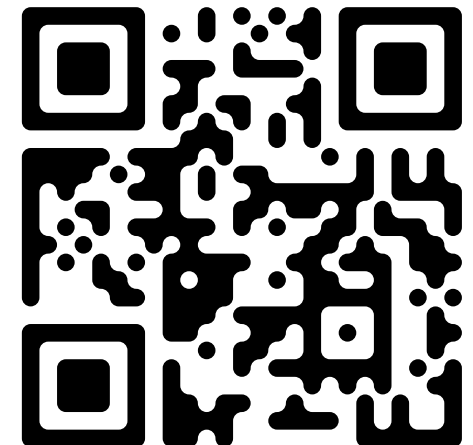
Twist around the end of tensioner **c** to tighten cord **c**. Loop the end of tensioner around the cord to hold in place.



! If the furniture seems unstable, ensure that the Tension Lock tabs are completely pressed into place. If you have any concerns, contact us at: www.sprout-kids.com/contact

X Disassembly

To disassemble, remove tensioner cords and lay the cubby shelf face up on the ground. Pull up on one of the shelves to separate from the rest, alternately lifting from one side to the other. Do the same for each shelf.



sprout-kids.com/gra