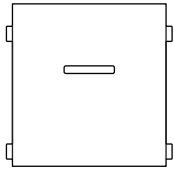
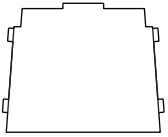


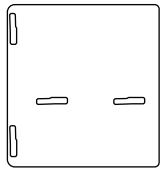
## Parts



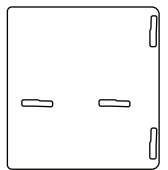
**a**  
Back (1)



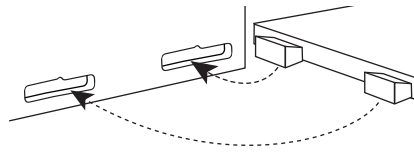
**b**  
Seat (1)



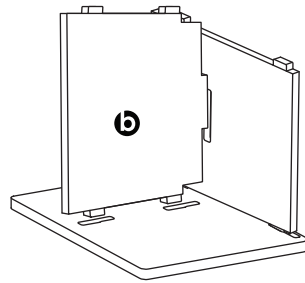
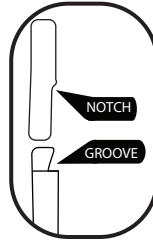
**c**  
Right Side (1)



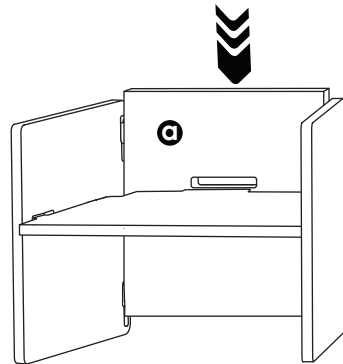
**d**  
Left Side (1)



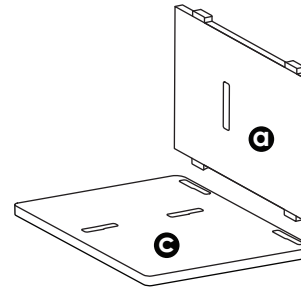
**\*** Each time you insert tabs into the slots, make sure the side with the groove on the tab faces the same direction as the notch in the slot.



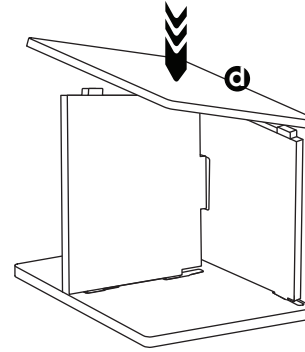
**2** Pop the tabs on Seat **b** into corresponding slots on Right Side **c**.



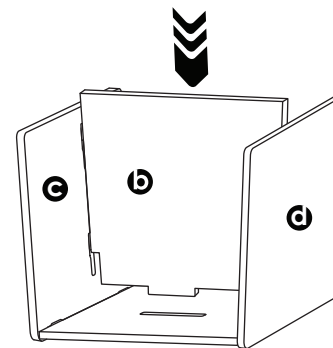
**4** Carefully tip chair right side up and press down on Back **a** until flush with Sides **c** and **d**.



**1** Refer to **\***. Pop the tabs on Back **a** into corresponding slots on Right Side **c**.



**3** Insert the tabs on Back **a** and Seat **b** into slots on Left Side **d**.



**5** Carefully tip chair onto its back and press down on Seat **b** until flush with Sides **c** and **d**.

**sprout**

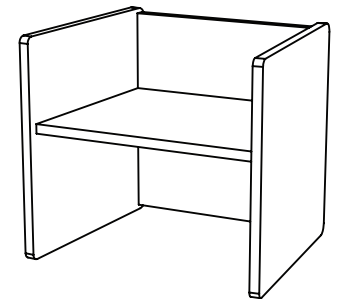
Simple. Modern. American Made.

**STOP** Frustrated?  
Need Help?

Talk to our  
customer service agent at:  
**+1 (833) 530-0033**

- !** Adult assembly only
- !** Assemble completely before use
- !** Assemble on a hard floor

## Flip Chair



**8** Set completed chair upright.