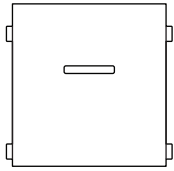
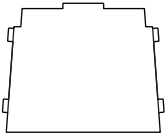


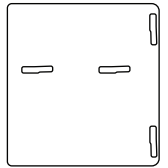
Parts



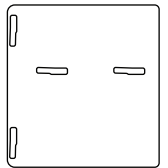
a
Back (1)



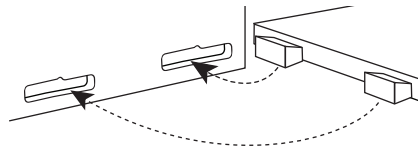
b
Seat (1)



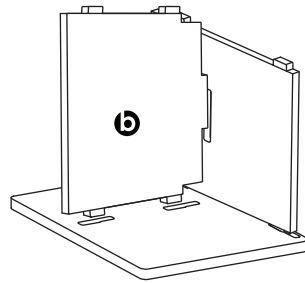
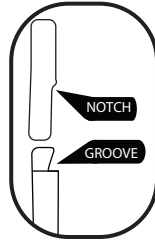
c
Left Side (1)



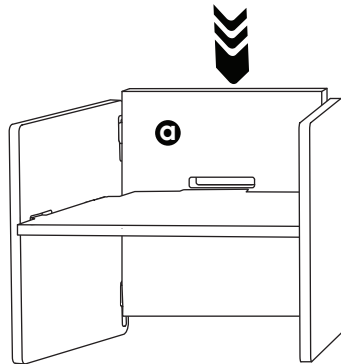
d
Right Side (1)



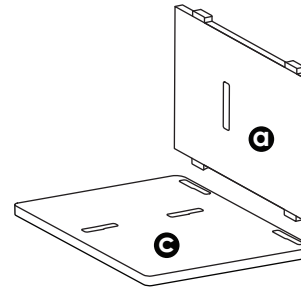
***** Each time you insert tabs into the slots, make sure the side with the groove on the tab faces the same direction as the notch in the slot.



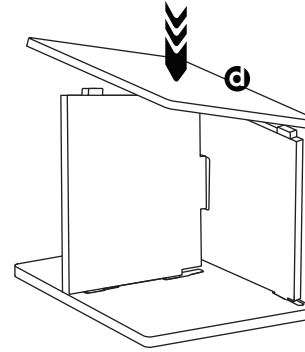
2 Pop the tabs on Seat **b** into corresponding slots on Left Side **c**.



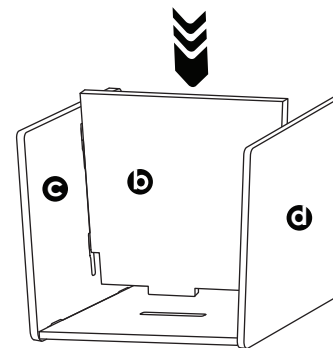
4 Carefully tip chair right side up and press down on Back **a** until flush with Sides **c** and **d**.



1 Refer to *****. Pop the tabs on Back **a** into corresponding slots on Left Side **c**.



3 Insert the tabs on Back **a** and Seat **b** into slots on Right Side **d**.



5 Carefully tip chair onto its back and press down on Seat **b** until flush with Sides **c** and **d**.

sprout

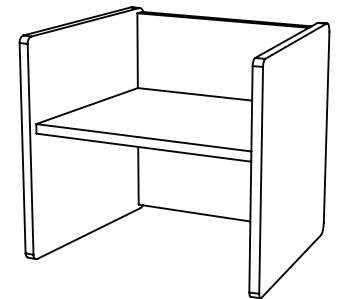
Simple. Modern. American Made.

Need Help?

Talk to our customer service agent at:
+1 (385) 208-1463

- ⚠** Adult assembly only
- ⚠** Assemble completely before use
- ⚠** Assemble on a hard floor

Flip Chair



8 Set completed chair upright.