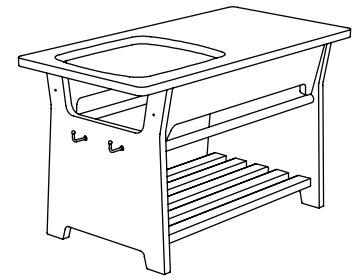




Simple. Modern. American Made.

# Dish and Hand Washing Station



- ⚠ Adult assembly only
- ⚠ Assemble completely before use
- ⚠ Assemble on a hard floor
- ⚠ Do not use this product without Adult Supervision

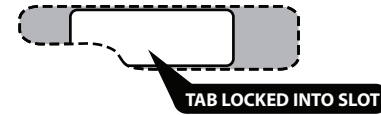
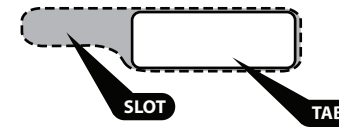
**STOP** Frustrated? Need Help?

Talk to our customer service agent at:

**+1 (833) 530-0033**

Or email us at:

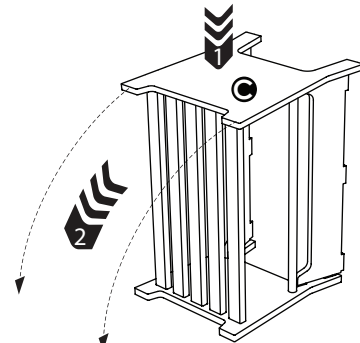
**support@sprout-kids.com**



**7** Using a rubber mallet, push the **Table Top C** sideways so the tabs lock in with the notch as pictured above.

**8** If necessary, carefully place unit on its end, and push down on top edge of **Side Panels** to tighten.

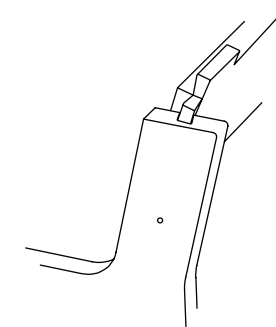
**9** As desired, insert screw-in hooks into holes on outside of **Side Panels**. If necessary, tighten with pliers with jaws wrapped with cloth.



**4** Set second **Side Panel C** into position. It helps to start at one side fitting the dowels into the holes and work your way across one at a time. Carefully set upright.

**5** Press down on **Braces A & B** to lock into place. Thread screws into slats with hex wrench.

**6** Align up slots on **Table Top C** with tabs on **Braces A & B**. Push down until flush with top of **Side Panels**.



**1** Grooves on **Support Panels** should be oriented inwards as pictured above.

**2** Insert tabs on **Braces A & B** into slots on **Side Panel C** press down to lock.

**3** Insert **Slats with holes D** into outer most slots on **Side Panel C**. Insert remaining **Slats E** and **Dowels F** into designated places.

