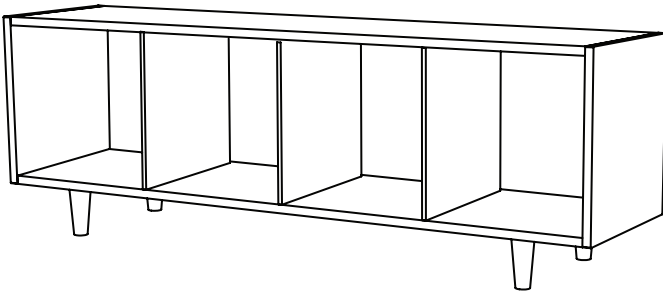




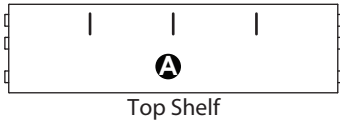
Simple. Modern. American Made.

Four Cube Bench

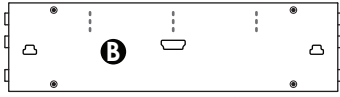


Adult assembly only
2 Adults recommended for assembly
Assemble completely before use

Parts



Top Shelf



Bottom Shelf



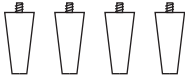
Back



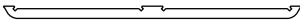
D
(2) Sides



E
(3) Dividers



F
(4) Legs



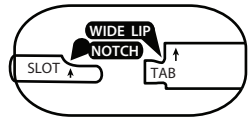
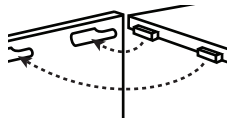
G
Rib



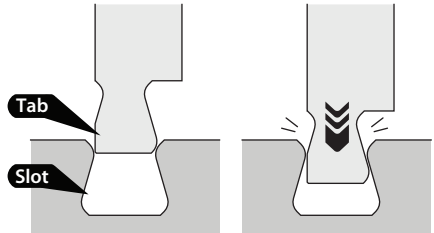
RECOMMENDED: A rubber mallet can help push pieces together. A hammer can also be used with a scrap piece of wood or a cutting board placed over the surface being hammered for protection.



When inserting tabs into slots make sure the side with the wider lip on the tab faces the same direction as the notch in the slot.



Tab will 'pop' into slot when force is applied.



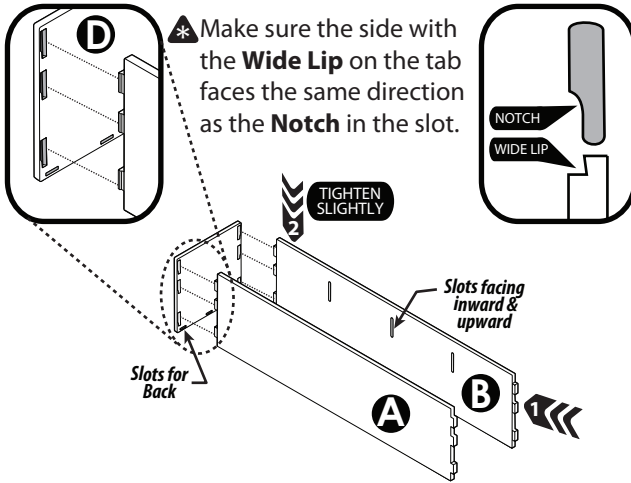
**Frustrated?
Need Help?**

Talk to our customer service agent at:
+1 (833) 530-0033

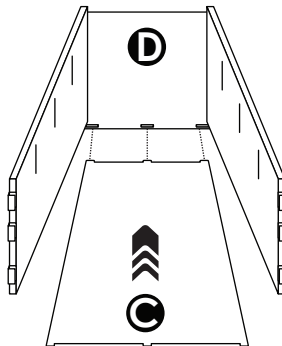
Or email us at:
support@sprout-kids.com

ASSEMBLY INSTRUCTIONS

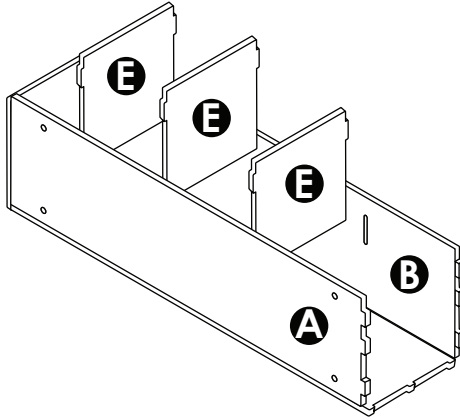
- 1 Refer to . Pop the tabs on **Top Shelf A** and **Bottom Shelf B** into slots on one **Side D**. Ensure slots on shelves are facing **inward** and **upward**. Push down on ends of top and bottom shelf to tighten slightly.



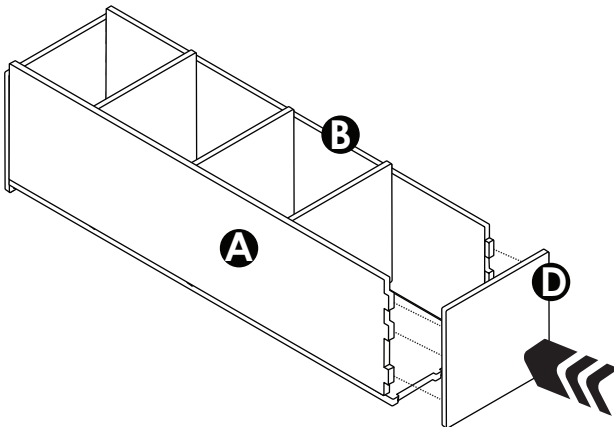
- 2 Insert **Back Panel C** into three slots on **Side D**, as shown.



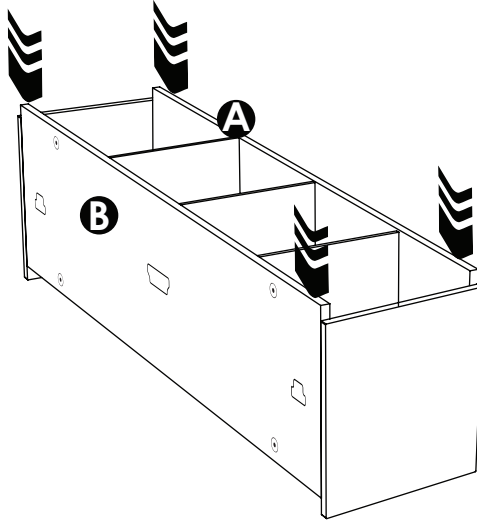
- 3** Insert **Dividers E** into slots on the **Top A** and **Bottom B**.



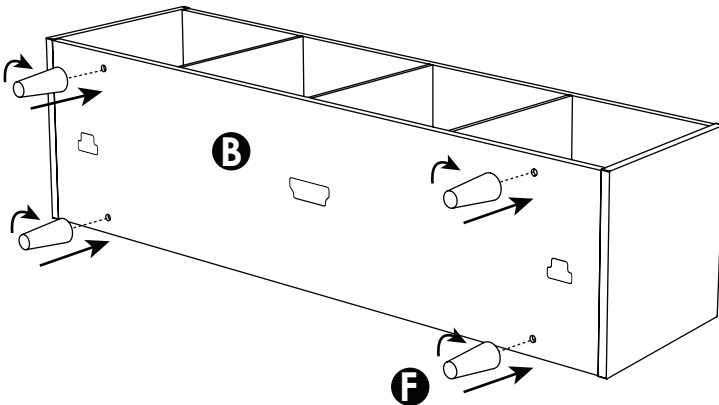
- 4** Pop slots of other **Side D** onto tabs of **Top A**, **Bottom B**, and **Back C**.



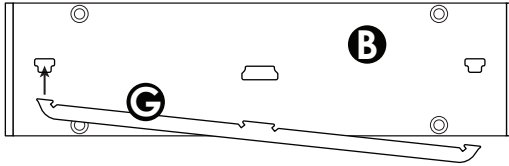
- 5** To tighten, press down on ends of **Top A** and **Bottom B** until they are flush with sides.



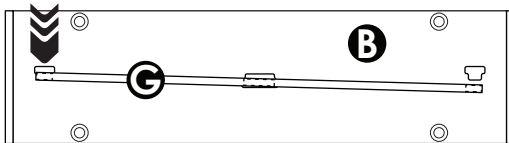
- 6** Screw in the four **Legs F** into **Bottom Shelf B** until tight, as shown.



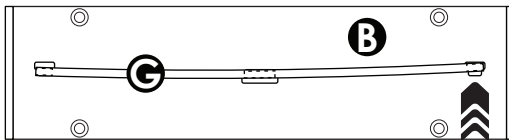
- 7** Put left tab on Rib **G** into left slot on Bottom Shelf **B**.



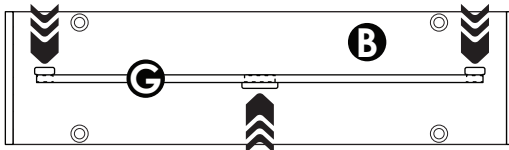
- 8** With the left tab mostly in its slot, bring Rib **G** up and pop the middle tab partially into its slot.



- 9** With the middle tab partially in its slot, bend the right tab of Rib **G** back up to its slot and pop it in.



- 10** With all three tabs in their slots, straighten Rib **G**.





Simple. Modern. American Made.