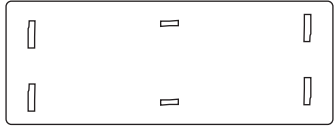
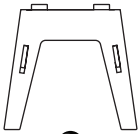


## PARTS



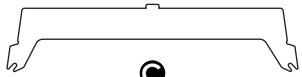
**A**

(1) Top



**B**

(2) Legs

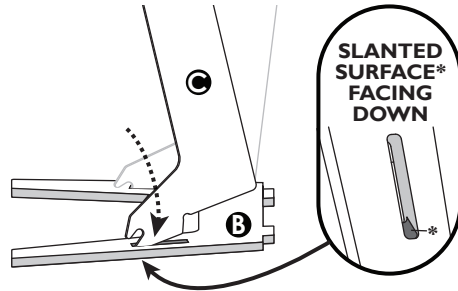


**C**

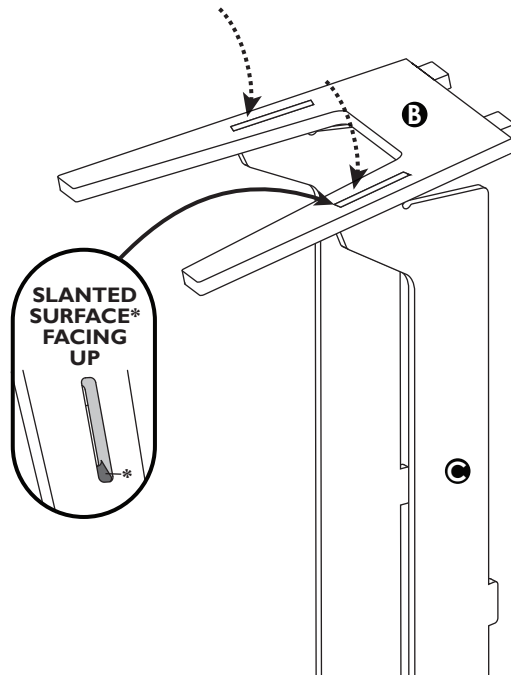
(2) Braces

## ASSEMBLY INSTRUCTIONS

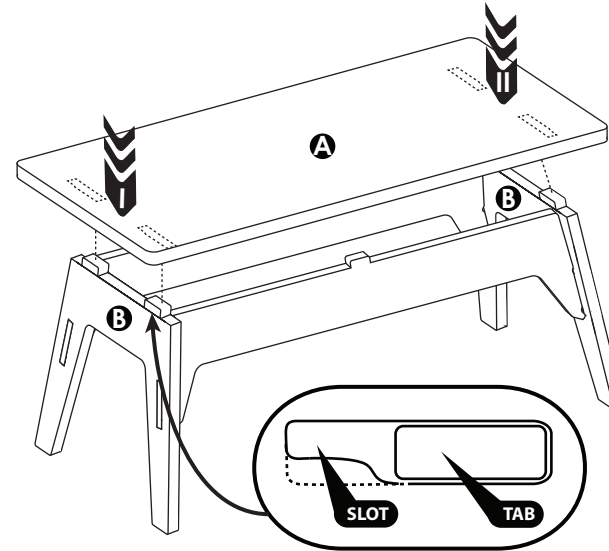
- 1 Lay one of the Legs **B** on the floor, with the slanted surface facing downwards towards ground. Insert both Braces **C** into the slots, as shown below.



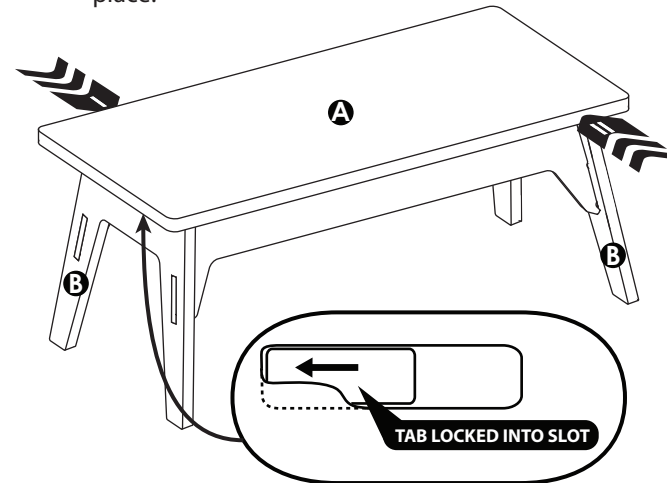
- 2 Install the other Legs **B** by inserting Legs over Braces **C**. Ensure that the slanted surface on Legs is facing upwards.



- 3 Carefully flip unit so that it is upright. Install the Top **A** one side at a time by turning it slightly to pop slots on Top onto tabs of Legs **B**, as shown.



- 4 Lock tabs on Legs **B** fully into place by pushing in Top **A** on each side one at a time, as shown below. Use a soft rubber mallet if needed. Tabs are fully locked when you cannot bump Top out of place.



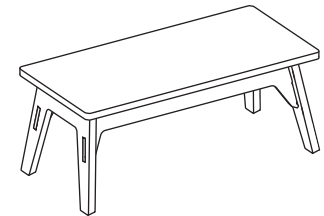
**sprout**

Simple. Modern. American Made.

## CLASSROOM BENCH

**!** Adult assembly only

**!** Assemble completely before use



**STOP** Frustrated?  
Need Help?

Talk to our customer service agent at:

+1 (833) 530-0033

Or email us at:

support@sprout-kids.com