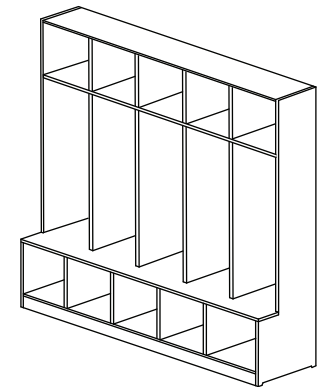


Coat Cubby

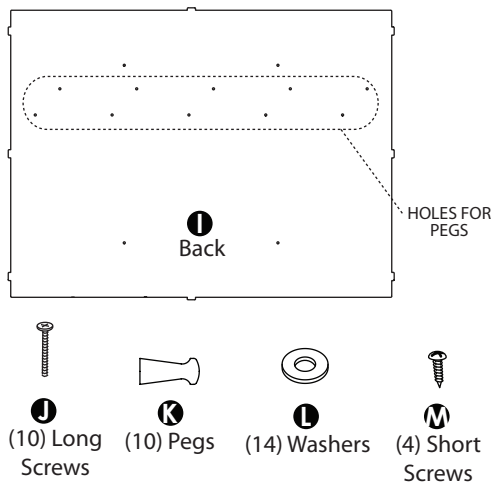
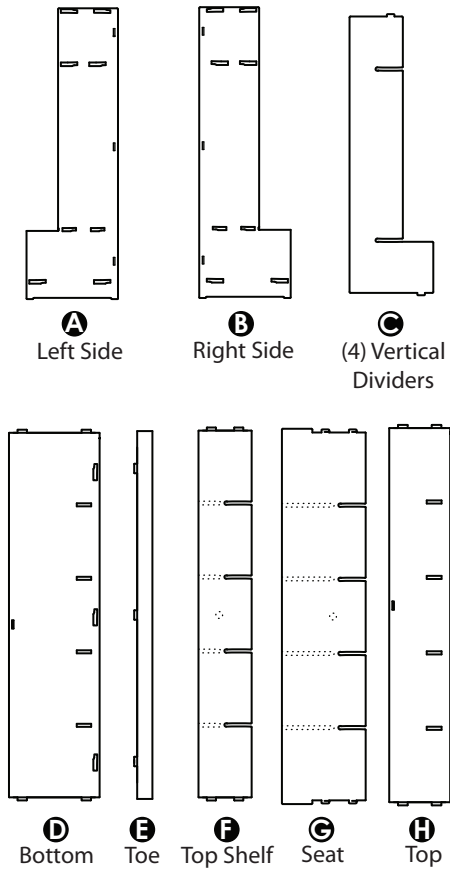
- ⚠ Adult assembly only
- ⚠ Assemble completely before use
- ⚠ 2 people recommended for assembly.



STOP Frustrated?
Need Help?

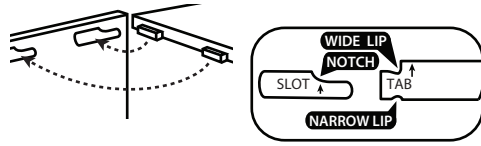
Talk to our customer service agent at:
+1 (833) 530-0033

PARTS



BEFORE YOU START

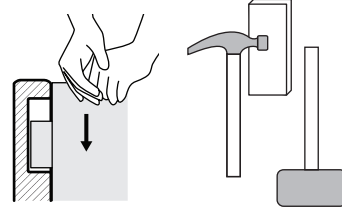
* Orient tabs so the side with the wider lip faces the same direction as the notch in the slot.



* Place tab into open slot then lock tabs into the notch as pictured above.

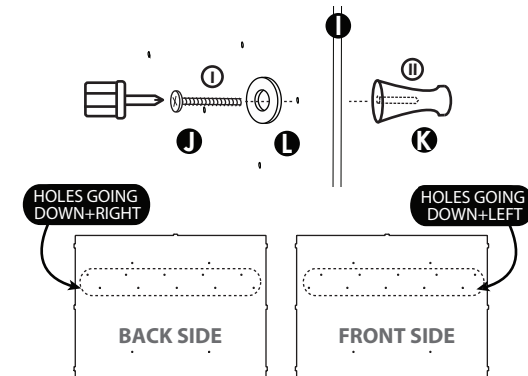


! When fully tightened, the edges should be flush. A rubber mallet can help push pieces together. A hammer can also be used with a scrap piece of wood or a cutting board placed over the surface being hammered to protect it.

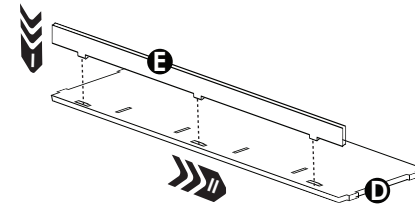


ASSEMBLY INSTRUCTIONS

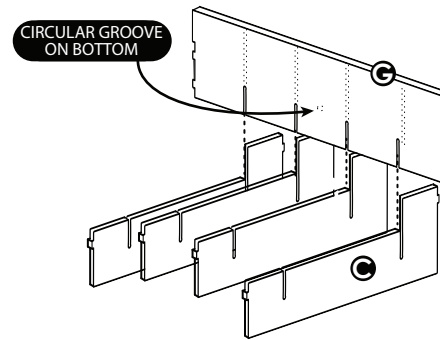
1 Install Pegs (K) on Back (I) by inserting Long Screw (J) through (10) diagonal holes with Washer (L), then thread on Peg. Ensure Pegs are on front side and in the correct holes, as shown.



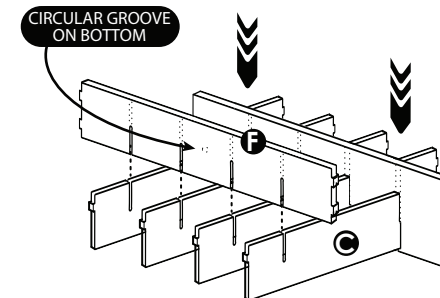
2 Place Toe (E) into slots on Bottom (D) as shown below and push to tighten.



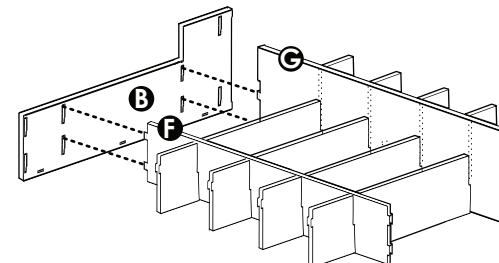
3 With another adult, place Seat (G) into slots of Dividers (C) as shown, inserting (2) Dividers at a time. Make sure the Seat groove is facing the bottom of the unit, as shown.



4 Place Top Shelf (F) into slots of Dividers (C). Make sure the Top Shelf groove is facing the bottom of the unit. Tighten by pushing down on the Top Shelf and Seat (G).



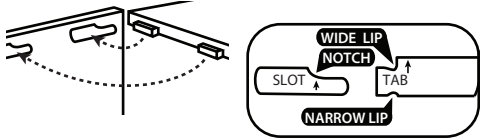
5 Insert and lock tabs of Top Shelf (F) and Seat (G) into slots of Side (B), as shown below.



REMEMBER



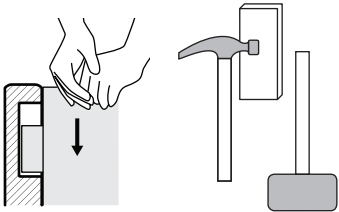
Orient tabs so the side with the wider lip faces the same direction as the notch in the slot.



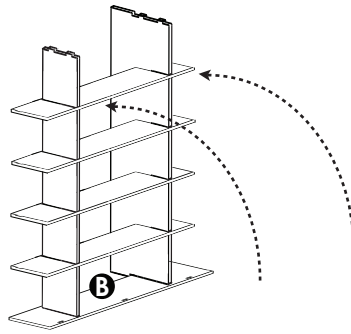
Place tab into open slot then lock tabs into the notch as pictured above.



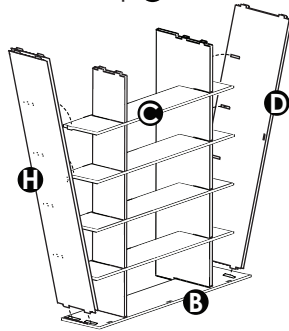
When fully tightened, the edges should be flush. A rubber mallet can help push pieces together. A hammer can also be used with a scrap piece of wood or a cutting board placed over the surface being hammered to protect it.



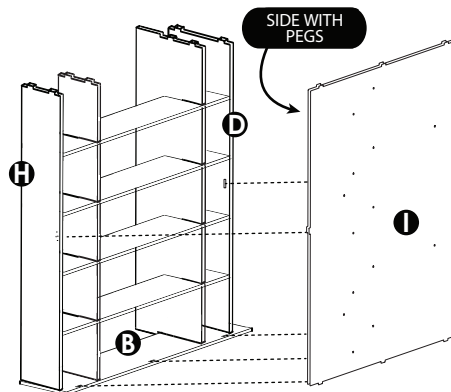
- 6** With another adult, carefully tilt the assembly onto the face of Side **B**.



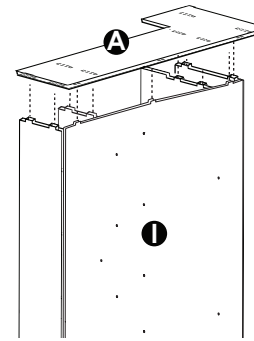
- 7** Insert tabs on Top **H** and Bottom **D** into slots on Side **B**. Lock tabs of Dividers **C** into slots on Top **H** and Bottom **D**.



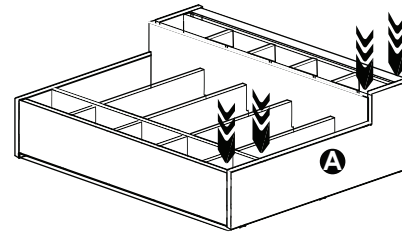
- 8** Place tabs on Back **I** into slots on Side **B**, Top **H**, and Bottom **D**. Have another adult help steady the assembly. Make sure the side with pegs is facing the unit.



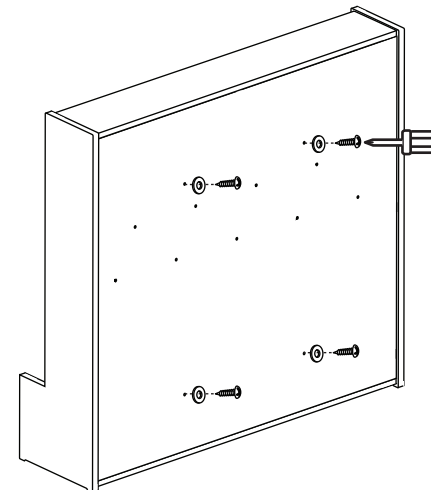
- 9** Place Side **A** onto tabs as shown below. Then carefully tilt assembly onto Back **I**.



- 10** Lock tabs on Side **A** and check that all other tabs are locked and edges are flush. Then carefully tilt unit up onto feet.



- 11** Finish installing Back **I** by inserting Short Screws **M** **straight** through holes with Washer **L**, as shown. Screw until tight.



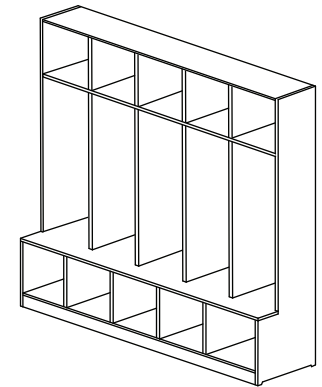
Please be aware that improperly installed screws run a risk of splitting the wood and being a potential safety hazard to children.

sprout

Simple. Modern. American Made.

Coat Cubby

- ⚠ Adult assembly only
- ⚠ Assemble completely before use
- ⚠ 2 people recommended for assembly.



STOP Frustrated?
Need Help?

Talk to our customer service agent at:
+1 (833) 530-0033