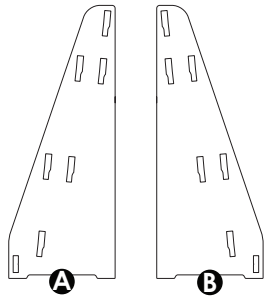
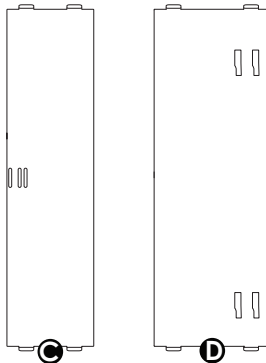


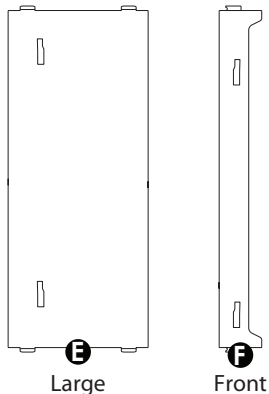
## PARTS



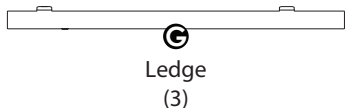
Left Side **A** Right Side **B**



Small Panel **C** Medium Panel **D**



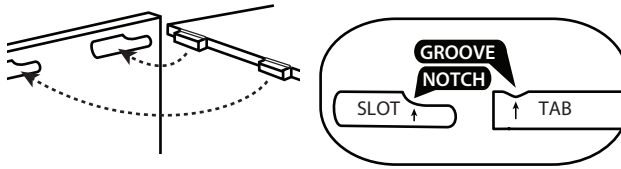
Large Panel **E** Front Panel **F**



Ledge **G**  
(3)

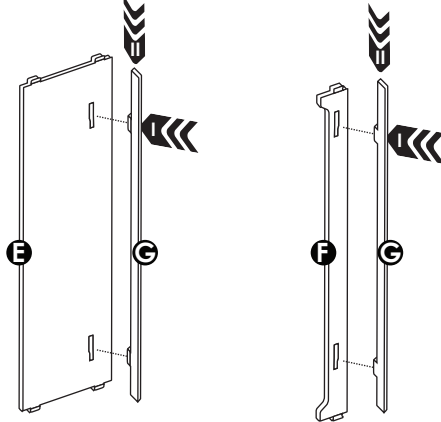
## BEFORE YOU START

- \* When inserting tabs into slots make sure the side with the groove on the tab faces the same direction as the notch in the slot.

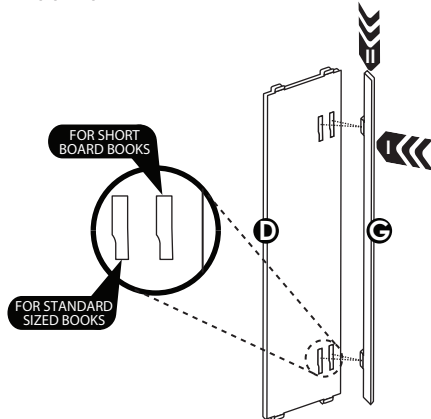


## ASSEMBLY INSTRUCTIONS

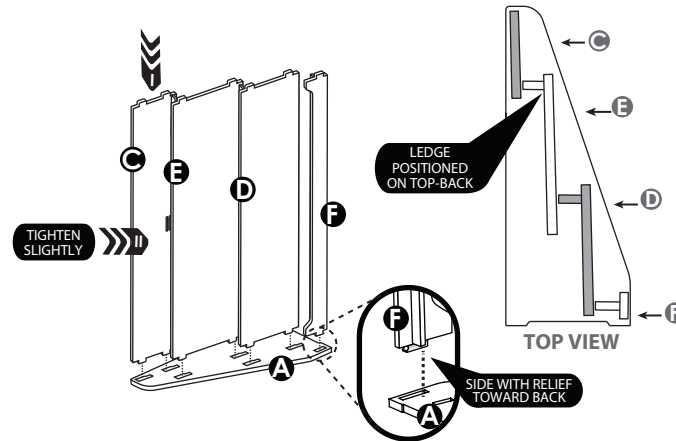
- 1 Insert Ledges **G** into the slots on the Large Panel **E**, and the Front Panel **F**. Push down until flush on end to tighten.



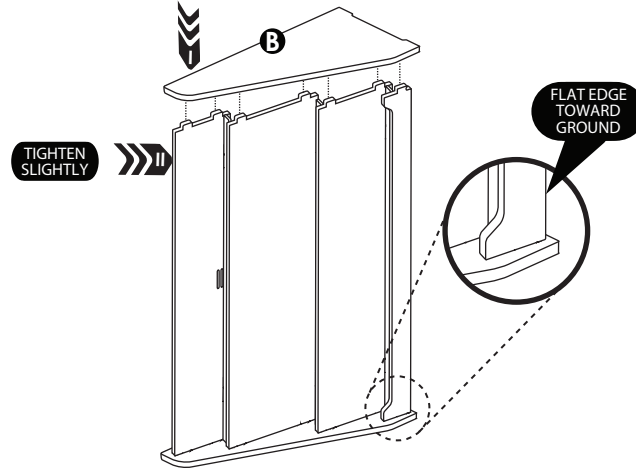
- 2 Decide how deep/shallow you want the middle shelf to be, and insert the final Ledge **G** into the appropriate set of slots on Medium Panel **D**.



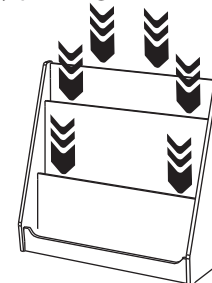
- 3 With another adult helping hold the assembly steady, insert Front **F** into its slot on Left Side **A** in the orientation shown. Insert the rest of the Panels as shown in the **TOP VIEW**. Note that ledges should be near the **top** on the **back side** of the panels.



- 4 Carefully place Right Side **B** over tabs of Back Panels. Tabs pop into the large side of the slots.



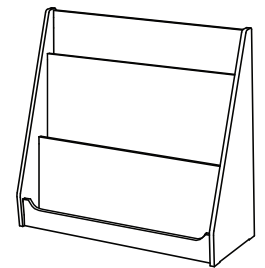
- 5 Carefully lay unit flat on ground, then tighten each Back Panel by pushing down.



Simple. Modern. American Made.

# Small Lexico Book Display Shelf

- ⚠ Adult assembly only
- ⚠ Assemble completely before use
- ⚠ 2 people recommended for assembly



## STOP Frustrated? Need Help?

Talk to our customer service agent at:  
**+1 (833) 530-0033**  
 Or email us at:  
**support@sprout-kids.com**  
 Watch our assembly video at:  
**sprout-kids.com/lex**

See reverse side for Wall Anchor Instructions