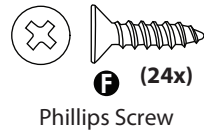
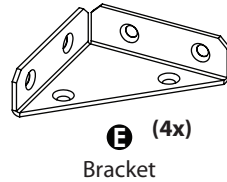
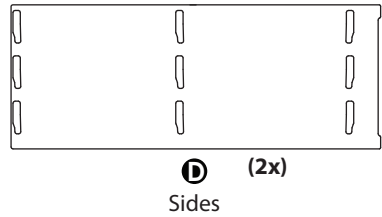
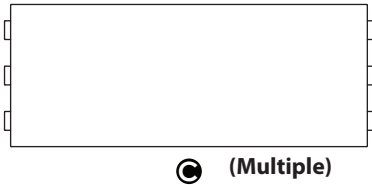
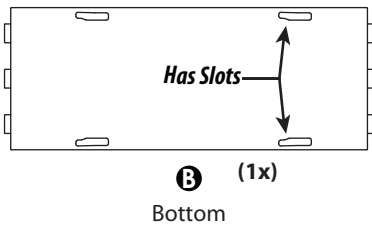
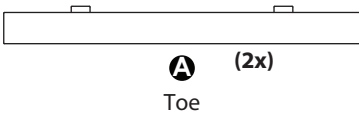


SCHOOL MONTESSORI
OPEN BACK SHELVING
ASSEMBLY GUIDE

PARTS



RECOMMENDED



Wood Glue



Rubber Mallet



Two Adults

REQUIRED



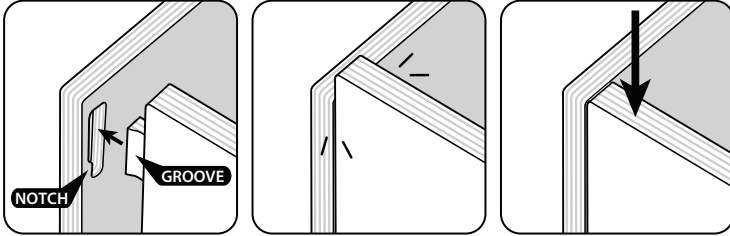
Power Drill

BEFORE YOU START



1. With the “Groove” facing the “Notch”, push Tab into Slot until it “pops” in place.

2. Apply force on part to secure.



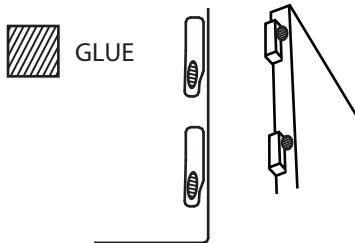
RECOMMENDED: Wood glue is used to permanently attach the shelving pieces together, helping make this shelving unit rigid. The glue’s drying also makes this assembly time-sensitive. To help the process go smoothly, **read all instructions before proceeding.**



Using other glue types may affect curing and workability time.

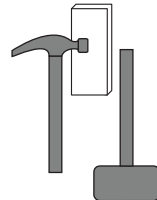


For steps using glue, apply a pea-sized amount to the thin end of slots. With the tabs oriented vertically, apply a pea-sized amount at the top of each tab (inside its groove). The glue will run down and coat the rest of the tab during assembly. **Apply glue just before connecting pieces.**




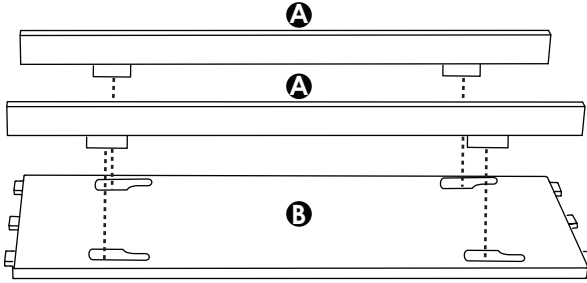
RECOMMENDED: A rubber mallet can help push pieces together.

A hammer can also be used with a scrap piece of wood or a cutting board placed over the surface being hammered for protection.

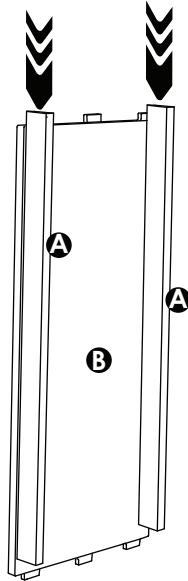




ASSEMBLY INSTRUCTIONS

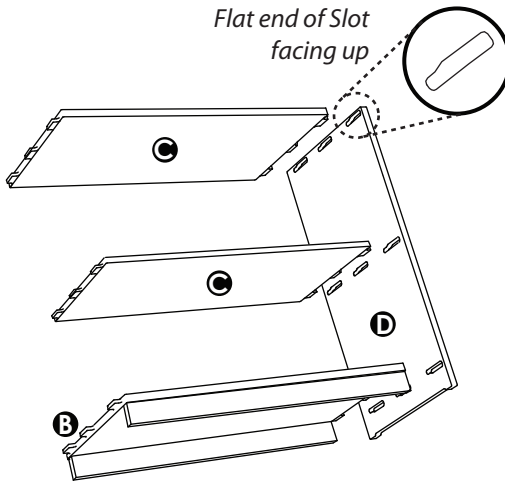
- 1 Push tabs on Toes **A** into slots on bottom **B**. Tabs and slots must be lined up correctly or they will not properly tighten. See  for tab orientation.



- 2 Turning the part upright, push down on Toes **A** until the ends are flush with the ends of Bottom Shelf **B**. Repeat with second toe.



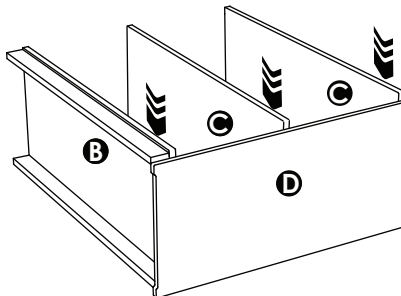
- 3** A second adult is recommended to hold shelves in place. Refer to  for tab orientation. Apply glue to slots on Side **D** and tabs on Shelves **C** and Bottom **B**. Refer to . Pop tabs into corresponding slots.



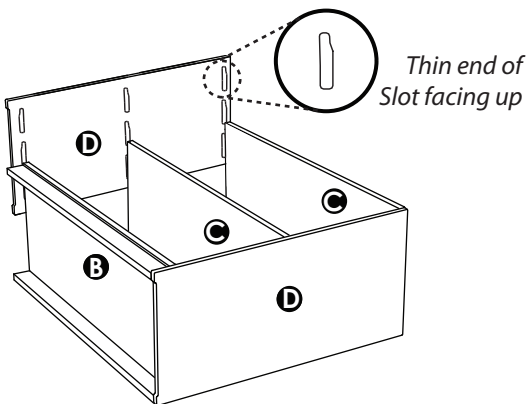
- 4** Press or hammer down Shelves **C** and Bottom **B** to tighten until they make contact with the ground. They will be flush with the underside of Side **D**. Parts will be snug.

Remove excess glue from joints with a damp cloth.

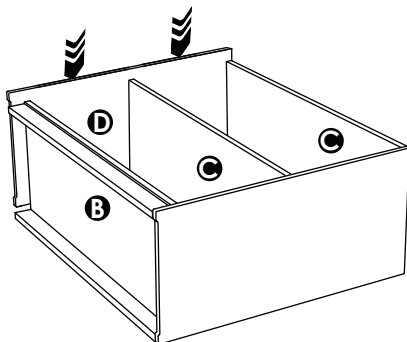
If unable to get parts to be flush with each other disassemble immediately. Remove glue with a damp cloth and contact Customer Service.



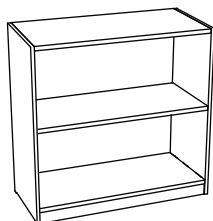
- 5** One adult holds steady Side **D**, Shelves **C** and Bottom **B**. Apply glue to the tabs on **C** and **B** and the slots of the other Side **D**. Pop tabs into corresponding slots.



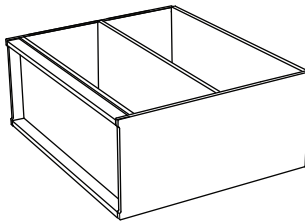
- 6** To tighten, press or hammer down the second Side **D** until it makes contact with the floor. Parts will be snug. Remove excess glue from joints with a damp cloth.



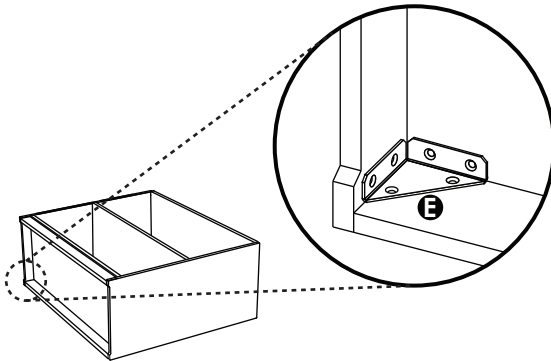
- 7** Carefully set shelving unit upright. Remove excess glue with damp cloth. Check that everything is fully tightened.



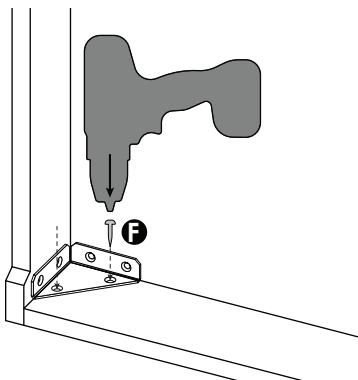
8 Tilt the assembled shelf on its back.



9 Place one of the Brackets **E** into the corner on the underside of the shelf like so. The triangular face of the bracket should be against the toe piece.

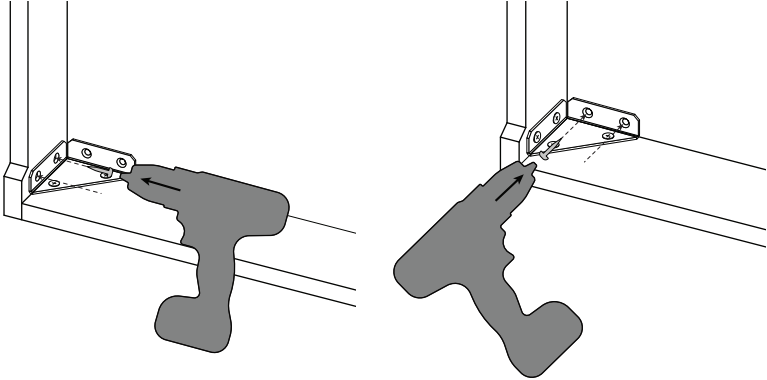


10 Using a drill or power screwdriver, install 2 Screws **F** into the holes on the triangular face. There are no pre-drilled holes in the wood, so try to make the screws as straight as possible.

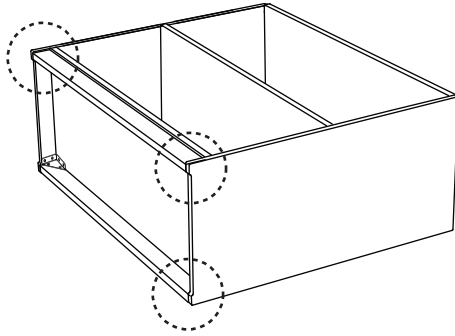


11

Install 2 more Screws **F** into the holes on one of the small sides of the bracket, then the other.

**12**

Repeat for the other 3 corners. Allow glue to set for 1 hour before use.



NEED HELP?



+1 (833) 530-0033
support@sprout-kids.com
Available M-F 8-4 MST

WARRANTY

Learn about your warranty.
sprout-kids.com/warranty



CARE

Learn how to care
for your shelving with
our detailed guide.
sprout-kids.com/cleaning



Use mild
cleaners only



Use a damp
cloth & wipe dry

INSPIRE SOMEONE

We'd love to see your shelving in action! If you choose to share a picture or video with your new shelving, tag or DM us.



@sprout_kids

SHARE YOUR INSIGHTS

You're invited to join the
Sprout Advisory Board and
help shape future products.
sprout-kids.com/board

