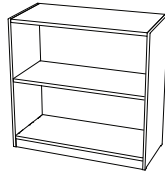


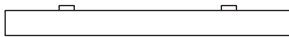


Cultivate Resilience



SCHOOL MONTESSORI  
**CLOSED BACK SHELVING**  
ASSEMBLY GUIDE

**PARTS**



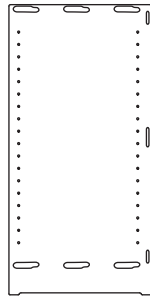
**A** Toe (1)



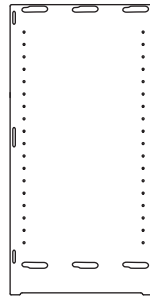
**B** Bottom Shelf (1)



**C** Top Shelf (1)



**D** Left Side (1)



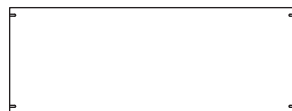
**E** Right Side (1)



**F** Full Back (1)



**G** Pins (4)



**H** Adjustable Shelf (1)

**RECOMMENDED**

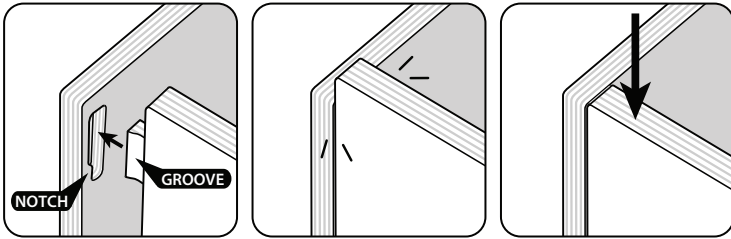


Rubber Mallet

## BEFORE YOU START

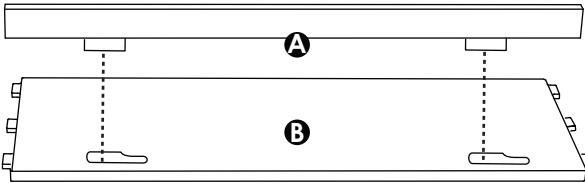


1. With the "Groove" facing the "Notch", push Tab into Slot until it "pops" in place.
2. Apply force on part to secure.



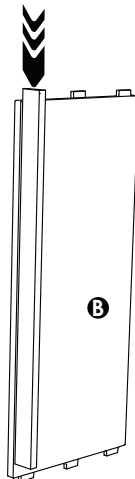
1

- 1 Push tabs on Toe **A** into slots on Bottom Shelf **B**. Tabs and slots must be lined up correctly or they will not properly tighten.

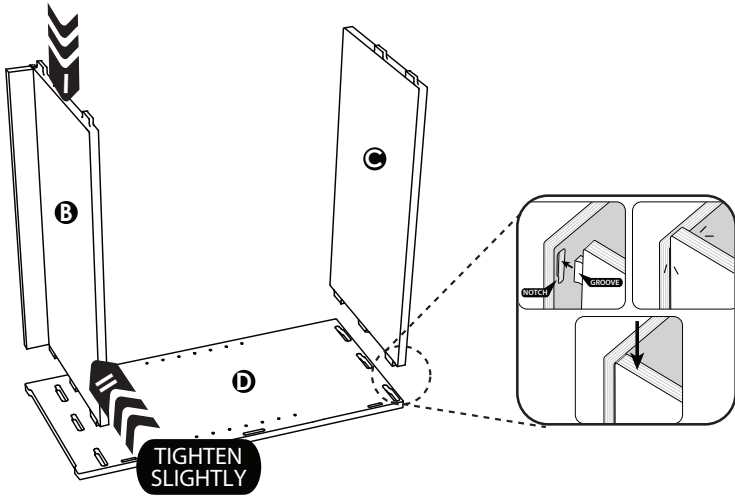


2

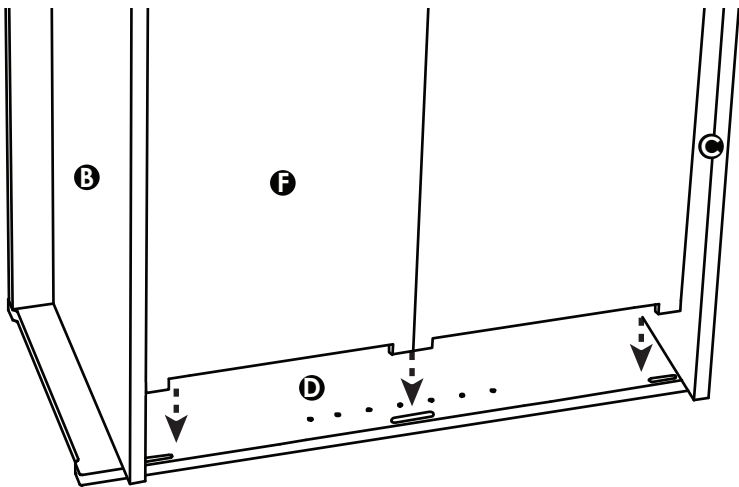
- 2 Turning the part upright push down on Toe **A** until the ends are flush with the ends of Bottom Shelf **B**.



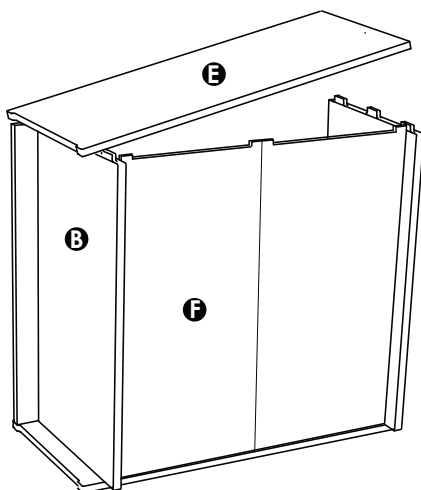
- 3** Pop the tabs on Top Shelf **C** and Bottom Shelf **B** into corresponding slots on Left Side **D**, as shown. Left Side **D** slots will not be visible if Shelves are installed correctly. A second adult is needed to hold shelves in place.



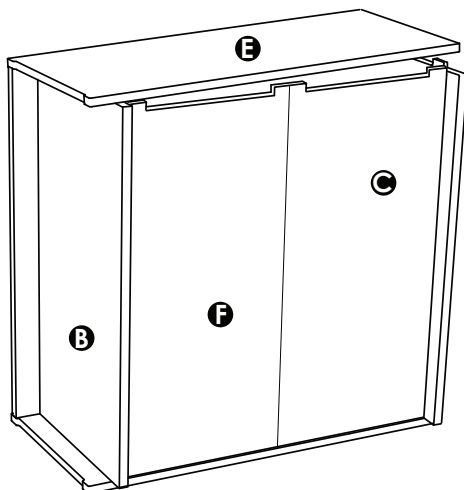
- 4** Insert Back **F** tabs into matching slots in Side **D**. A Full Back comes as one piece. A Split Full Back comes in two pieces that share the middle slot when inserted.



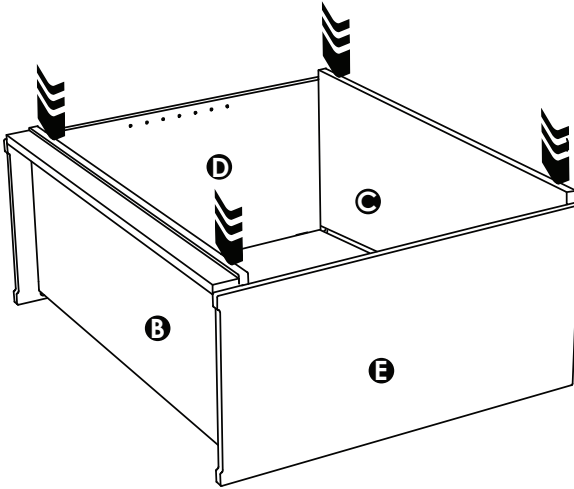
- 5** As one adult holds the back and shelves steady, insert bottom slots on Right Side **E** into the tabs on Bottom Shelf **B**.



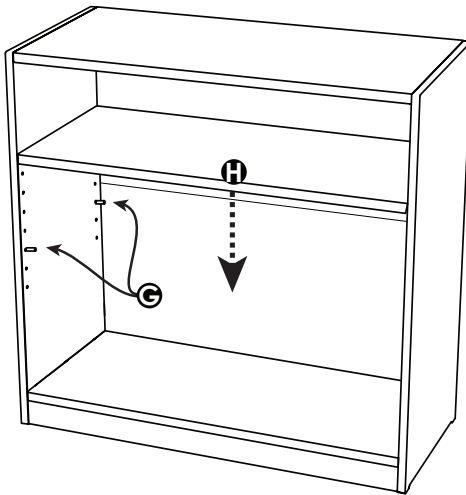
- 6** With the help of a second person, insert tabs on Back **F** and Top **C** into slots in Side **E**.



- 7** Carefully tip shelving unit onto its back on a hard floor and press down on ends of Bottom **B** and Top **C** until flush with Sides **D** and **E** to tighten.



- 8** Carefully set shelving unit upright. Insert Pins **C** into holes at the desired height and rest Shelf **H** on pins.



## NEED HELP?



+1 (833) 530-0033  
✉ support@sprout-kids.com  
🕒 Available M-F 8-4 MST

## WARRANTY

Learn about your warranty.  
[sprout-kids.com/warranty](https://sprout-kids.com/warranty)



## CARE

Learn how to care  
for your shelf with  
our detailed guide.

[sprout-kids.com/cleaning](https://sprout-kids.com/cleaning)



Use mild  
cleaners only



Use a damp  
cloth & wipe dry

## INSPIRE SOMEONE

We'd love to see your Closed Back Shelf in action! If you choose to share a picture or video with your new table, tag or DM us.



@sprout\_kids

## SHARE YOUR INSIGHTS

You're invited to join the  
Sprout Advisory Board and  
help shape future products.  
[sprout-kids.com/board](https://sprout-kids.com/board)

