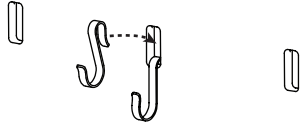
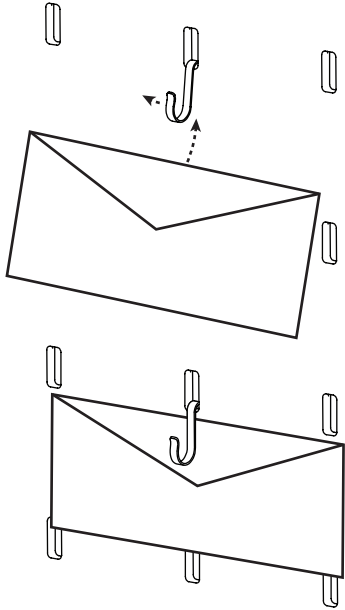


### THREE WAYS TO USE

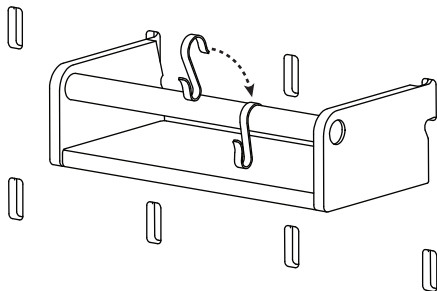
- A** Insert small end of Accessory Hook into Slot on Slotboard. Pull down into place. Hang items as desired.



- B** Insert hook & pull forward slightly to slide a piece of paper underneath for safekeeping or display.



- C** Place large end of Accessory Hook over dowel on Jar Shelf, as shown. Hang items as desired.



Simple. Modern. American Made.

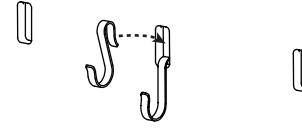
## MakerWall Accessory Hook

**STOP** Frustrated?  
Need Help?

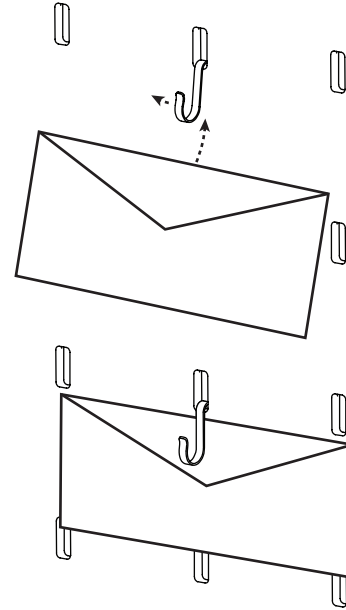
Talk to our customer  
service agent at:  
**+1 (833) 530-0033**

### THREE WAYS TO USE

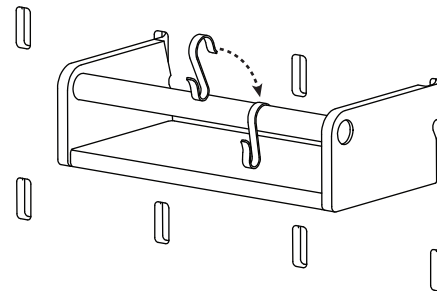
- A** Insert small end of Accessory Hook into Slot on Slotboard. Pull down into place. Hang items as desired.



- B** Insert hook & pull forward slightly to slide a piece of paper underneath for safekeeping or display.



- C** Place large end of Accessory Hook over dowel on Jar Shelf, as shown. Hang items as desired.



Simple. Modern. American Made.

## MakerWall Accessory Hook

**STOP** Frustrated?  
Need Help?

Talk to our customer  
service agent at:  
**+1 (833) 530-0033**