

Iceberg Series: PH-480



Breweries • Wineries • Distilleries

TANKTEMP.COM

503.389.8818

Voltages			
	240/1/60	240/3/60	480/3/60
MCA	N/A	N/A	30
MOP	N/A	N/A	40

System Data			
Dimensions	48"L x 26"W x 40.75"H	Electrical Enclosure	Nema 3R
Frame	Stainless Steel	Shipping Weight	400 lbs.
Housing	Stainless Steel	Electric Heaters	3000 W x6
Circulation & Process Pump	1/2 HP	Heating BTU	61,000 BTU/HR
Glycol Connection Size		3/4" Brass Male Quick connects, 3-port manifold	

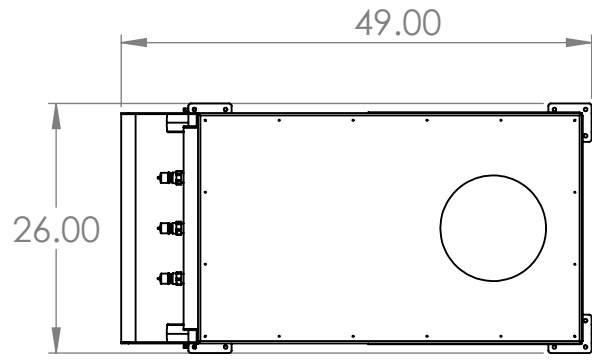
Chiller Specifications	
Chiller package includes the following:	
Glycol Pump	Single Berkeley pump, 30 GPM at 25 psi
Storage Tank	42-gallon Stainless Steel Insulated
Control Panel	on/off switches, indicators lights, digital thermostat with temperature display.
Factory Tested	Factory charged with refrigerant and tested
Enclosure	1.5" Stainless Steel tubing frame with removable panels for service work
Control System	Ranco temperature control with digital display
Warranty	2-year limited warranty on parts & labor for normal commercial usage

2

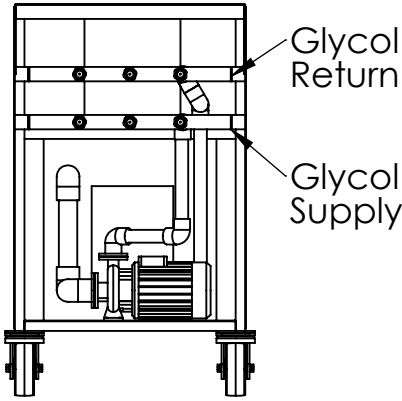
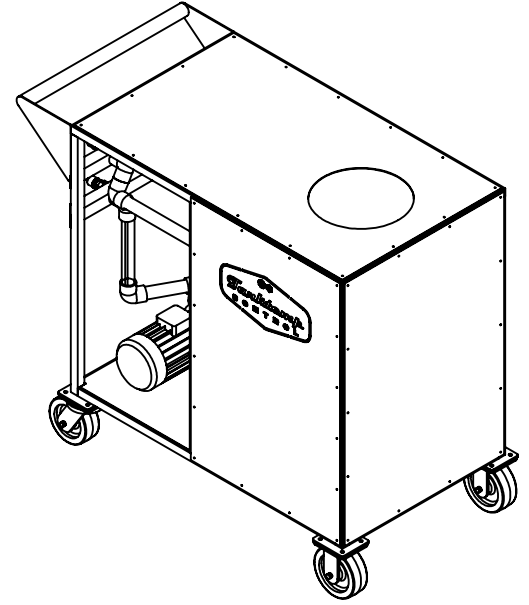
1

B

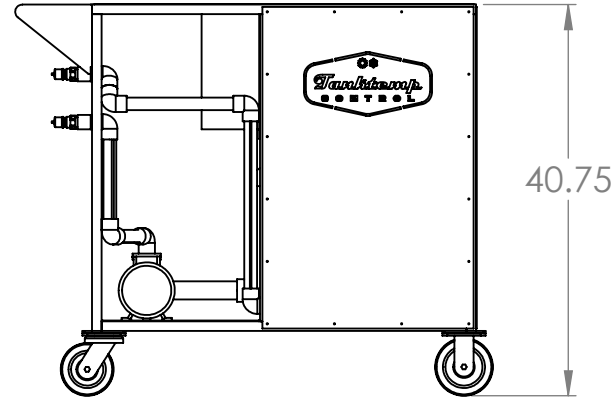
B



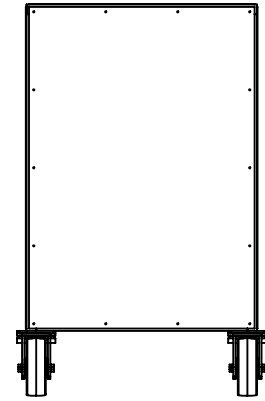
TOP VIEW



LEFT VIEW



FRONT VIEW



RIGHT VIEW

A

A

2

1

SOLO PH SERIES	
PORTABLE HEATER	Breweries • Wineries • Distilleries TANKTEMP.COM 233.309.2310