

Iceberg Series: PH-240



Breweries • Wineries • Distilleries

TANKTEMP.COM

503.389.8818

| Voltages | | | |
|----------|----------|----------|----------|
| | 240/1/60 | 240/3/60 | 480/3/60 |
| MCA | N/A | 30 | N/A |
| MOP | N/A | 40 | N/A |

| System Data | | | |
|----------------------------|-----------------------|---|---------------|
| Dimensions | 48"L x 26"W x 40.75"H | Electrical Enclosure | Nema 3R |
| Frame | Stainless Steel | Shipping Weight | 400 lbs. |
| Housing | Stainless Steel | Electric Heaters | 3000 W x3 |
| Circulation & Process Pump | 1/2 HP | Heating BTU | 30,000 BTU/HR |
| Glycol Connection Size | | 3/4" Brass Male Quick connects, 3-port manifold | |

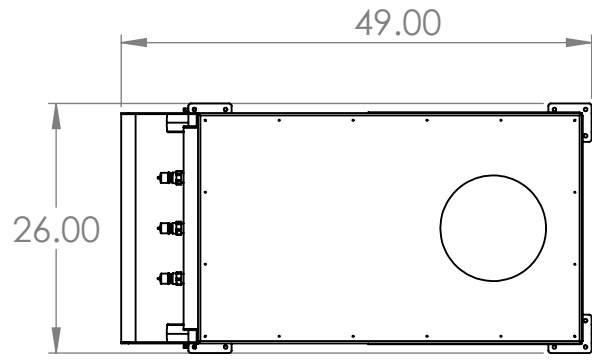
| Chiller Specifications | |
|---|--|
| Chiller package includes the following: | |
| Glycol Pump | Single Berkeley pump, 30 GPM at 25 psi |
| Storage Tank | 42-gallon Stainless Steel Insulated |
| Control Panel | on/off switches, indicators lights, digital thermostat with temperature display. |
| Factory Tested | Factory charged with refrigerant and tested |
| Enclosure | 1.5" Stainless Steel tubing frame with removable panels for service work |
| Control System | Ranco temperature control with digital display |
| Warranty | 2-year limited warranty on parts & labor for normal commercial usage |

2

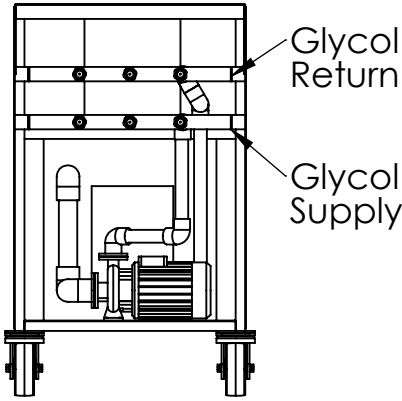
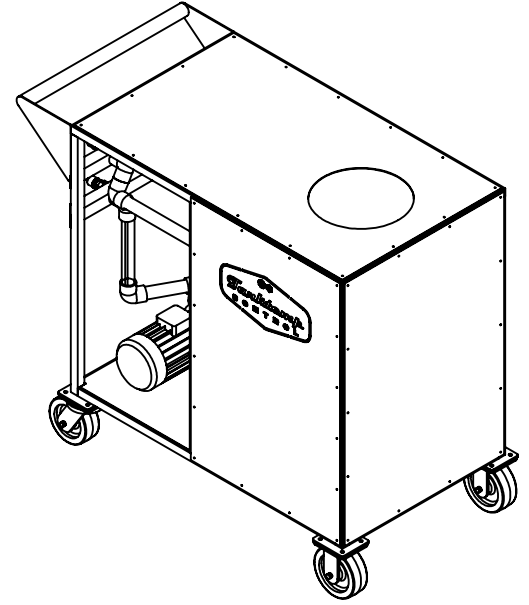
1

B

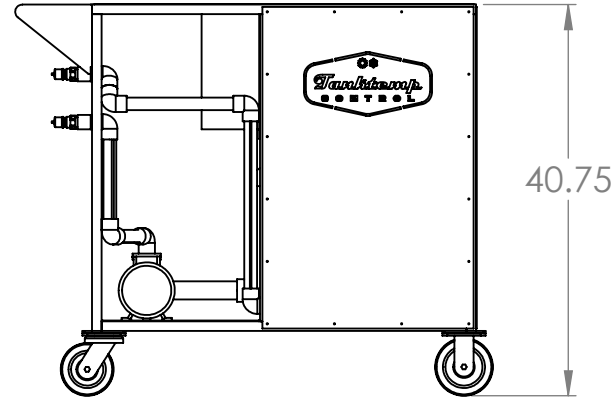
B



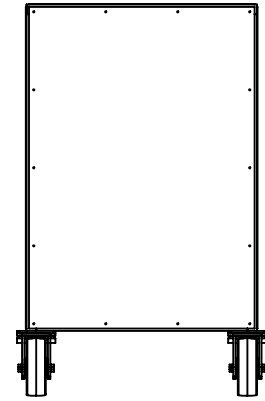
TOP VIEW



LEFT VIEW



FRONT VIEW



RIGHT VIEW

A

A

2

1

| | |
|--------------------|---|
| SOLO PH SERIES |  |
| PORTABLE HEATER | Breweries • Wineries • Distilleries TANKTEMP.COM 233.309.2310 |