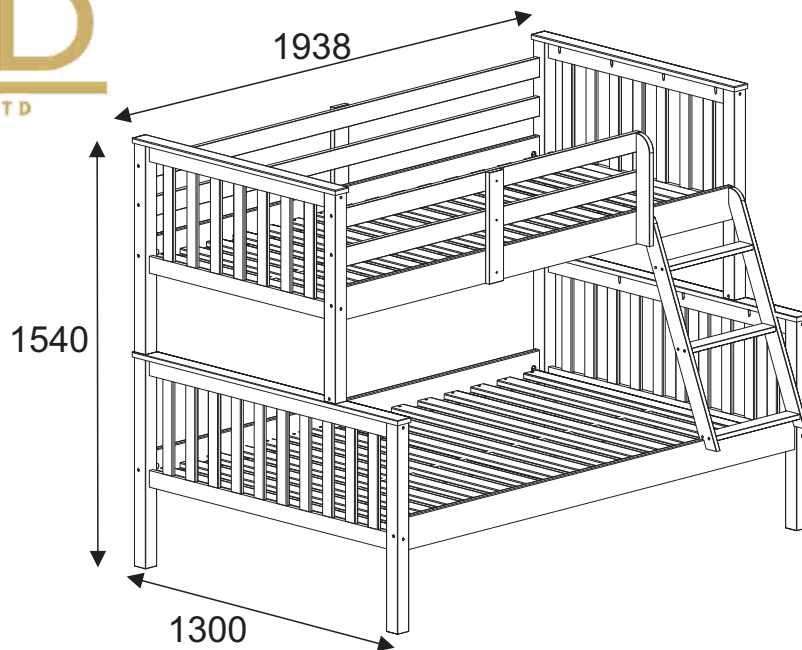


ATHENS TRIPLE BUNK BED ASSEMBLY INSTRUCTIONS

MPD
FURNITURE LTD



IMPORTANT:
READ CAREFULLY - RETAIN FOR FUTURE REFERENCE

- THE UPPER BED OF THE BUNK IS NOT SUITABLE FOR CHILDREN UNDER SIX YEARS OF AGE DUE TO THE RISK OF INJURY FROM FALLING.

- Strangulation Hazard- never attach or hang items to any part of the bunk bed: for example, hooks, belts, cords, harness ETC.
- The recommended mattress size for this bunk bed is 6'3" x 3' x 6" (1900mmx900mmx150mm).
- The maximum mattress thickness is 6".
- The maximum mattress height is clearly marked on the bunk and **MUST NOT BE EXCEEDED.**
- Children can become trapped between the bed and the wall. To avoid risk of serious injury the distance between the top safety barrier and the wall shall not exceed 75mm or shall be more than 230mm.
- The bunk bed should not be used if any structural part is broken or missing.
- Assemble on a soft clean surface.
- Do not use any tools other than those shown.
- Any spanners or Allen Keys required are included with the fittings kit.
- Do not for any reason use a power tool to assemble this product, Its use will invalidate any claim you may have and could make this product unsafe.
- Assembly fittings should always be tightened properly and care should be taken that no fittings are loose.
- Depending on the amount of use this product receive it may be necessary to tighten up the fittings from time to time. This is completely normal for any at pack furniture. **DO NOT OVERTIGHTEN FIXINGS.**
- Two persons required to assemble this product.
- For cleaning you may use a damp cloth (not wet).

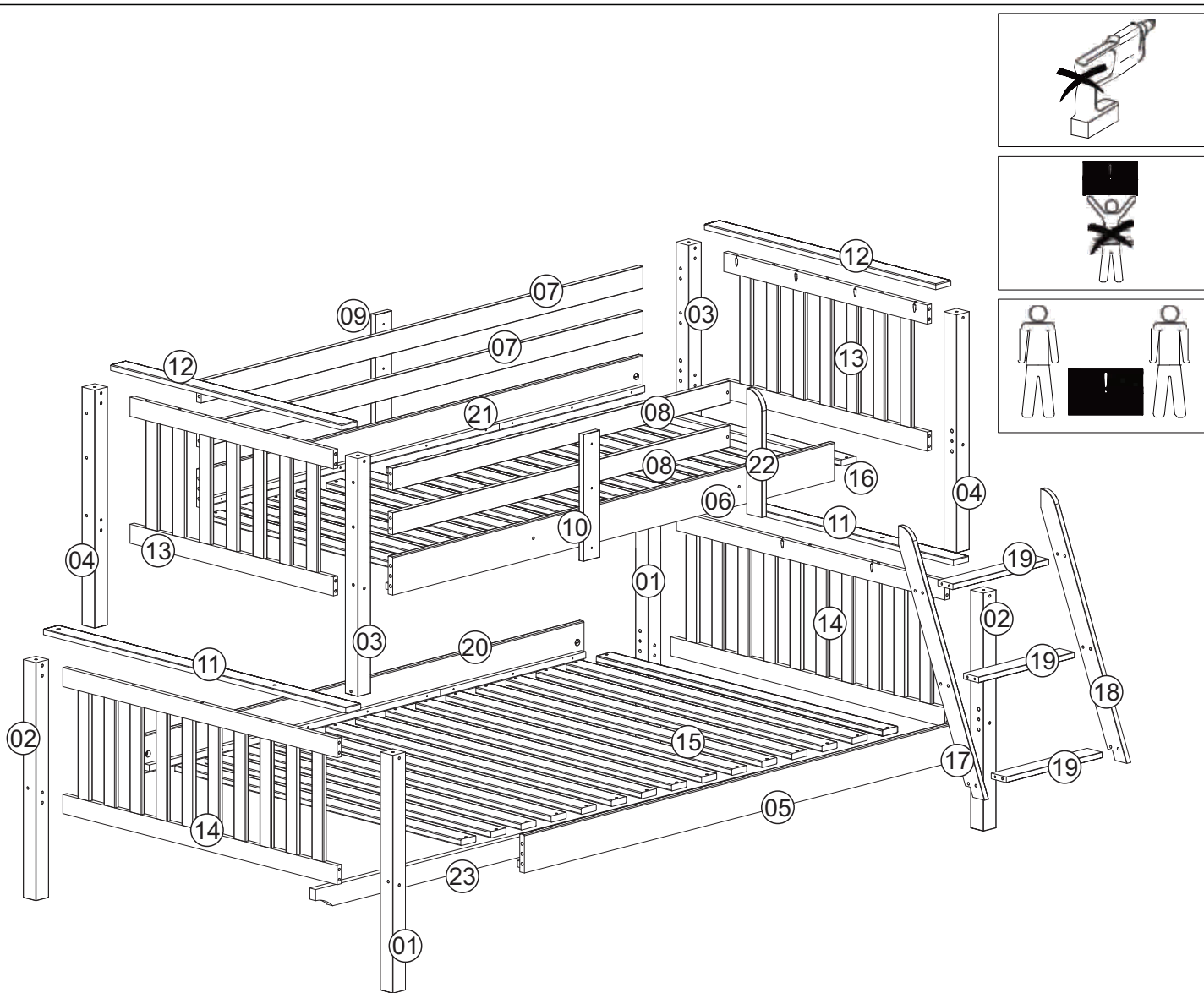
- To clean, wipe a sponge and warm soapy water. Do not use solvent based cleaners or detergents as they can bleach or damage the product.

ATHENS TRIPLE BUNK BED WITH REVERSIBLE LADDER



ATHENS TRIPLE BUNK BED WITH REVERSIBLE LADDER

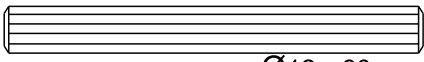

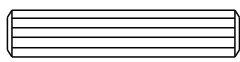


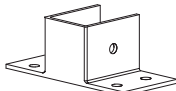
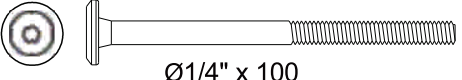
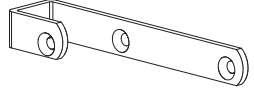



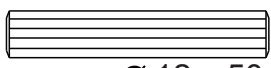

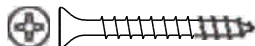
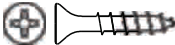


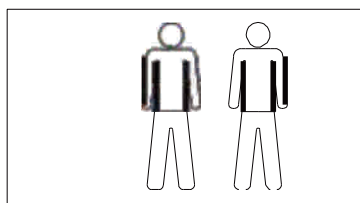


PARTS LIST

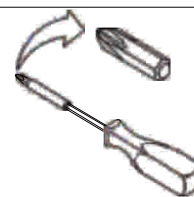
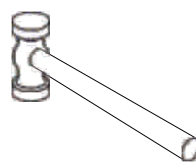
part number	name of part	quantity	part number	name of part	quantity
01	Lower Right Headboard Post	02	15	4' Slats	14
02	Lower Left Headboard Post	02	16	3' Slats	14
03	Upper Left Headboard Post	02	17	Left Ladder Rail	01
04	Upper Right Headboard Post	02	18	Right Ladder Rail	01
05	Lower Front Side Rail	01	19	Ladder Rung	03
06	Top Front Side Rail	01	20	Lower Back Side Rail	01
07	Long Safety Rail	02	21	Top Back Side Rail	01
08	Short Safety Rail	02	22	Short Safety Rails Support	01
09	Brace	01	23	Centre Rail	01
10	Brace	01			
11	Bottom Headboard Plinth	02			
12	Top Headboard Plinth	02			
13	Upper Headboard Panel	02			
14	Lower Headboard Panel	02			

FITTINGS LIST

L	 Ø12 x 90	04	O	 GLUE	01
K	 Ø10 x 35	46	H	 Ø 7,0 x 100 mm	22
M	 Slat Spacer	02	F		02
A	 Ø1/4" x 100	08	N		02
B	 1/4"	08	G		02
E	ALLEN KEY 	01	P	 Ø 12 x 50	04
C	 Ø7,0 x 50 mm	17			
D	 Ø4,0 x 30	89			
I	 Ø 3,5 x 16 mm	20			



2,5m x 3m



* Use of power tools to assemble this product will invalidate any claim and damage this product making it unsafe !!!

* Please assemble on a clean soft surface to avoid damage.

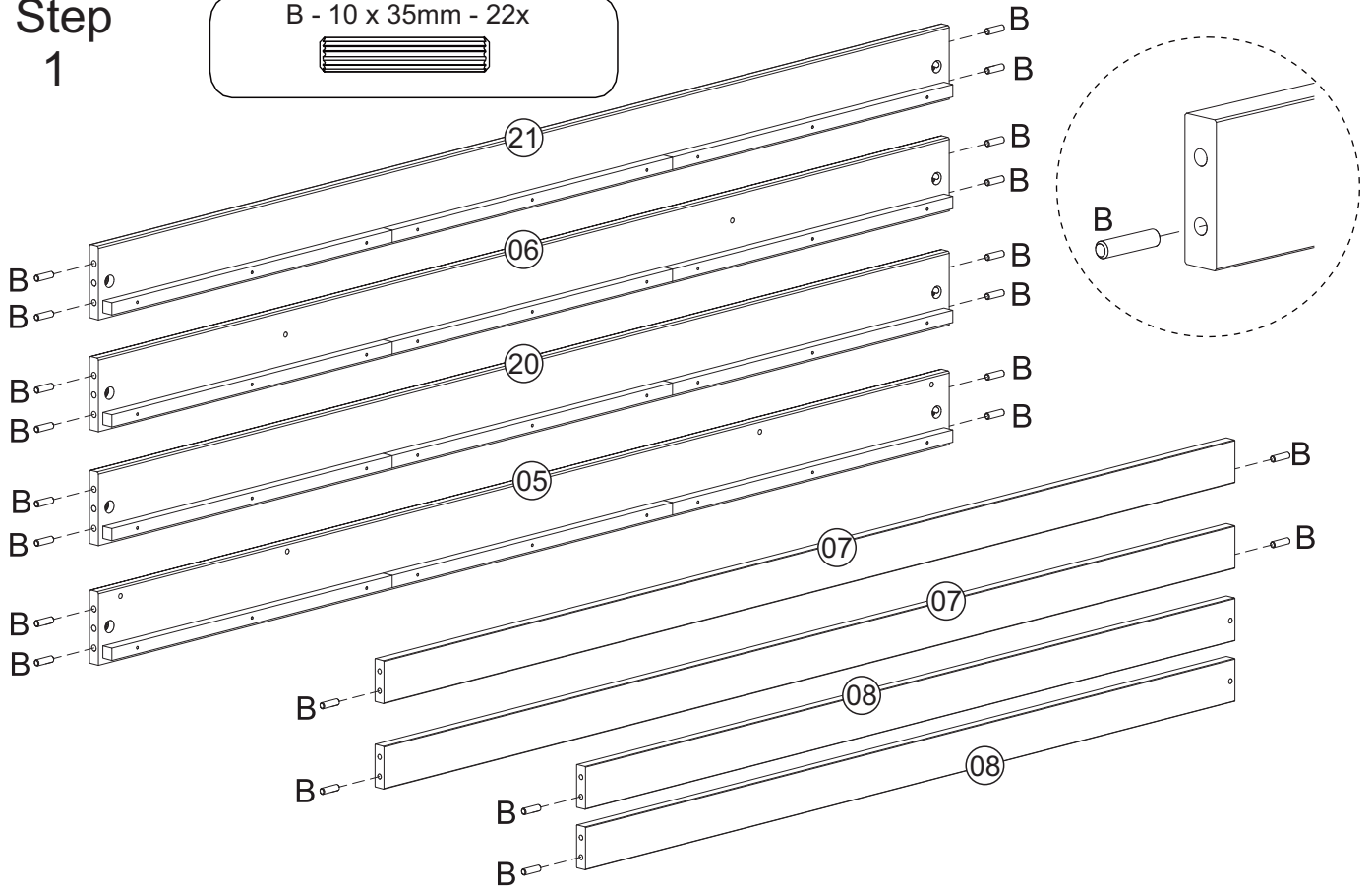
* Please check contents and read the instructions before commencing assembly.

* Assemble this product following the enclosed instructions carefully.

* Please take care to avoid damaging panels during assembly.

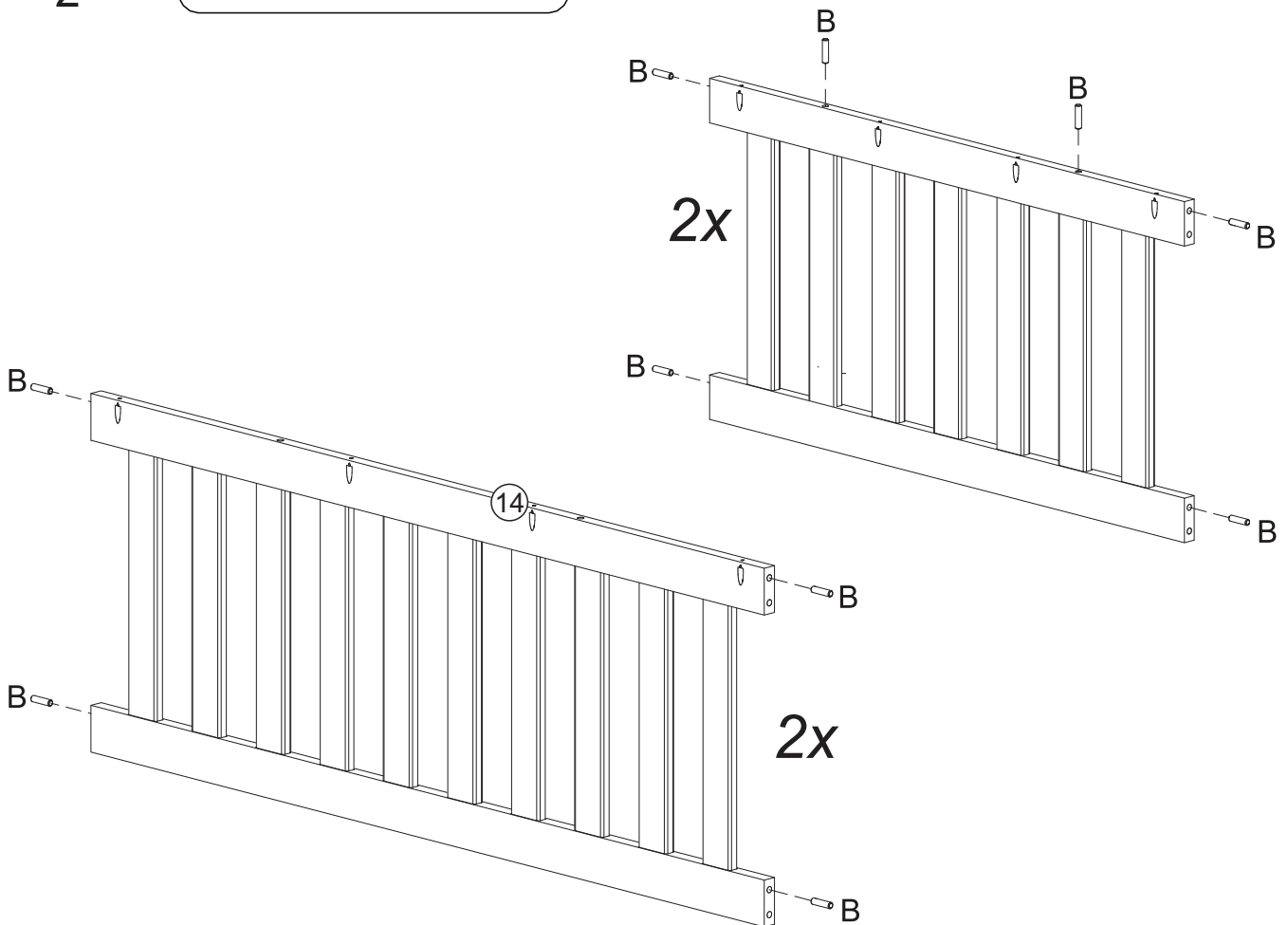
Step 1

B - 10 x 35mm - 22x



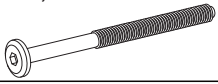
Step 2

B - 10 x 35mm - 20x



Step 3


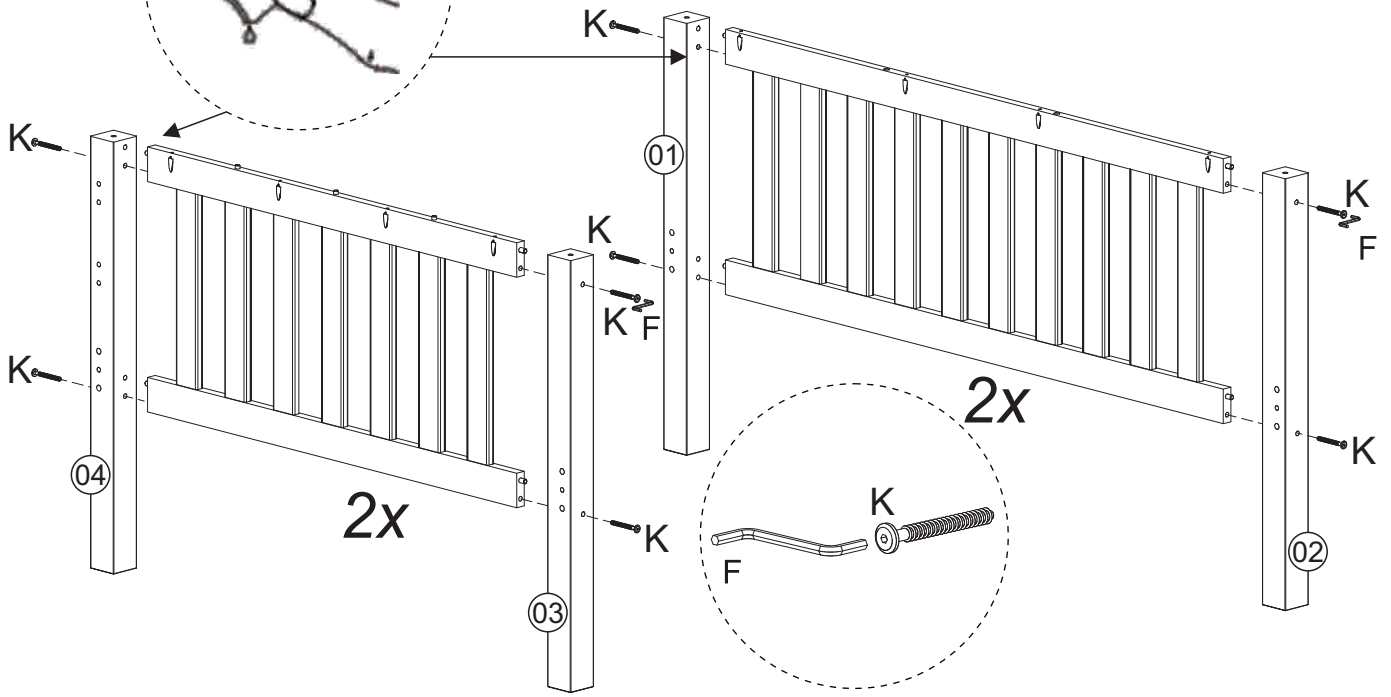
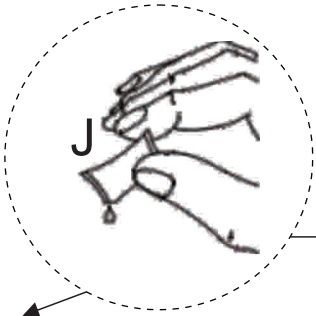
K - 7,0 x 100mm - 16x



J - 1x
20g
GLUE

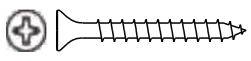


F - 1x





Step 4

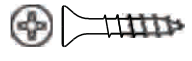
H - 4,0 x 35 mm - 8x




L 2x




I - 3,5 x 16mm - 8x




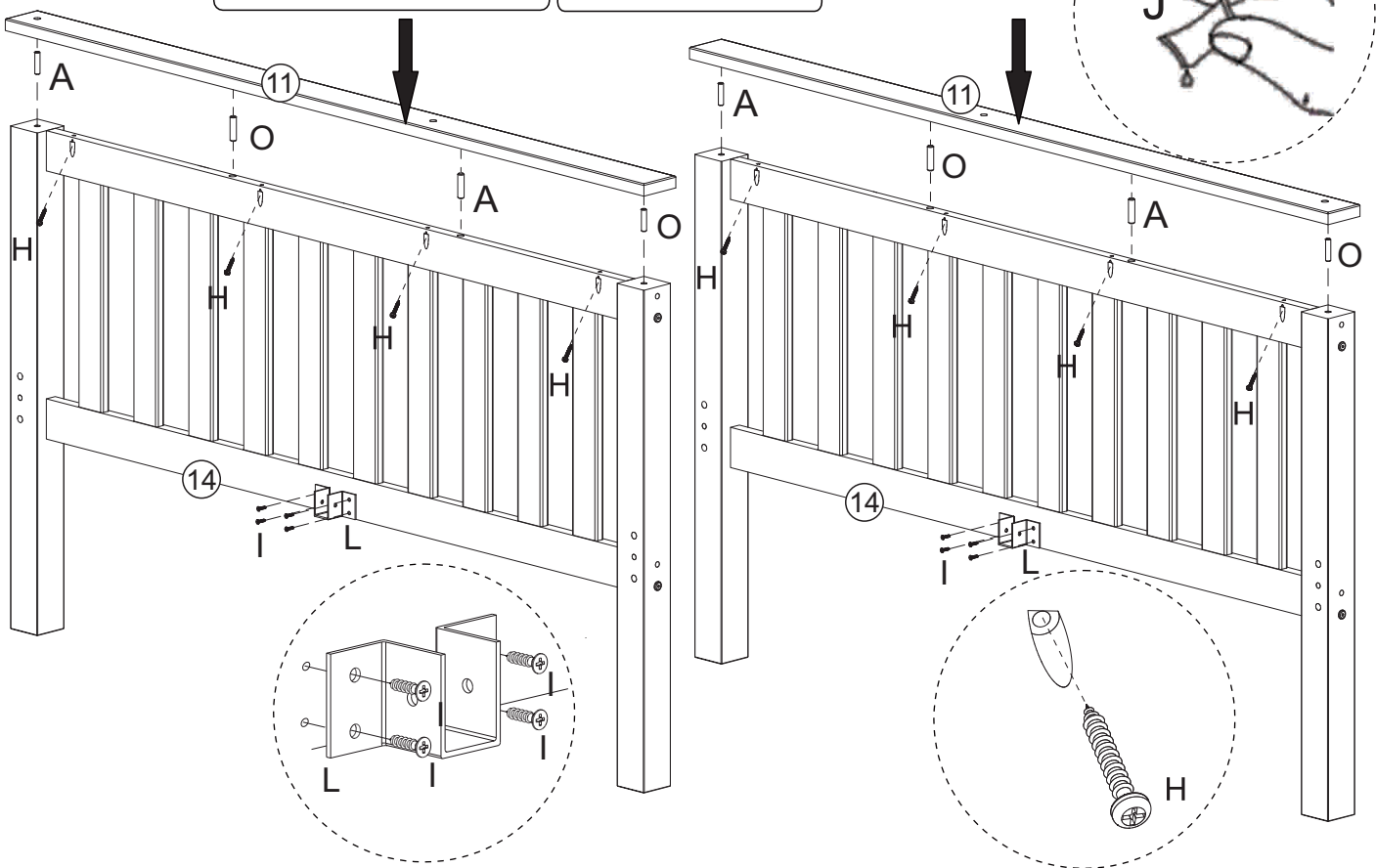
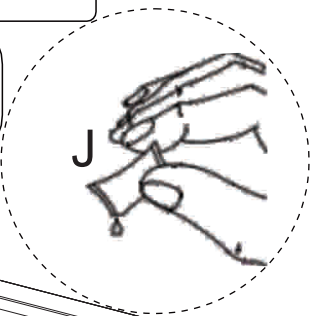
A - 12 x 90mm - 4x



J - 1x
20g
GLUE



O - 12 x 50mm - 04x

Step 5

H - 4,0 x 35 mm - 8x

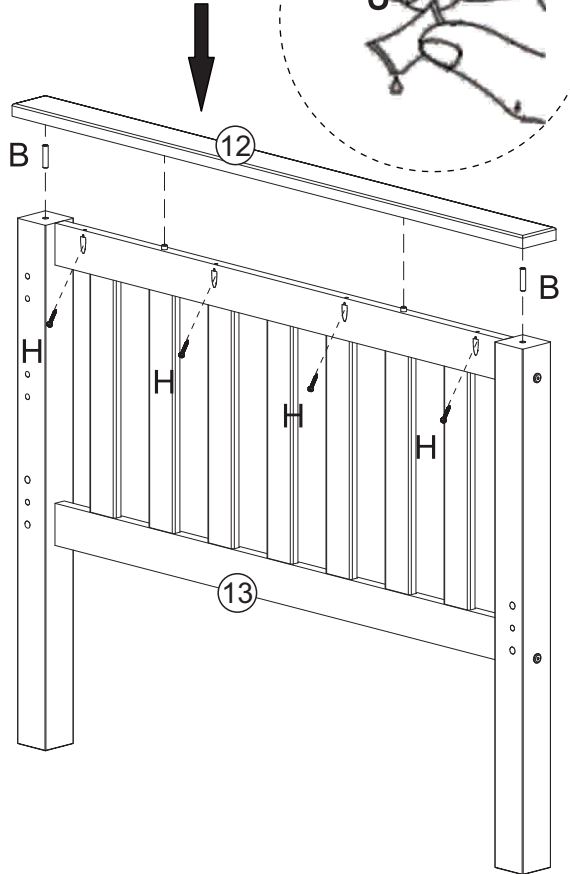
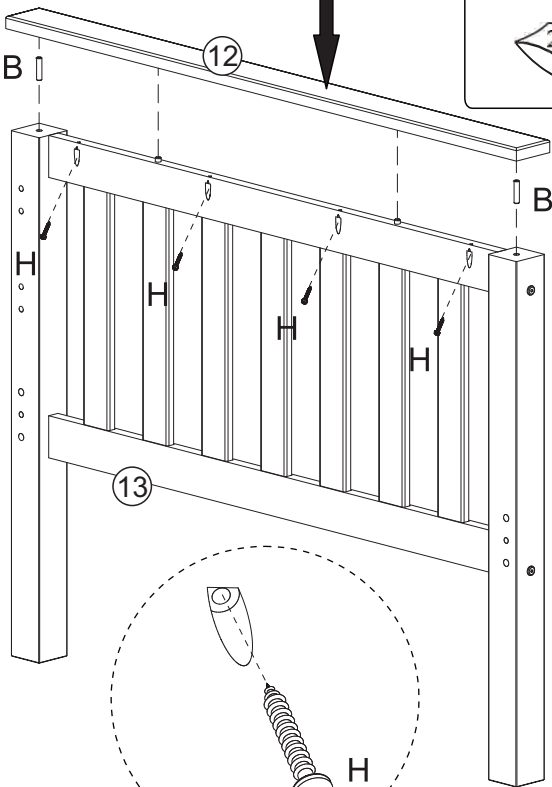


B - 10 x 35mm - 4x



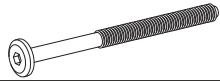
J - 1x

GLUE



Step 6

D - 1/4 x 100mm - 04x



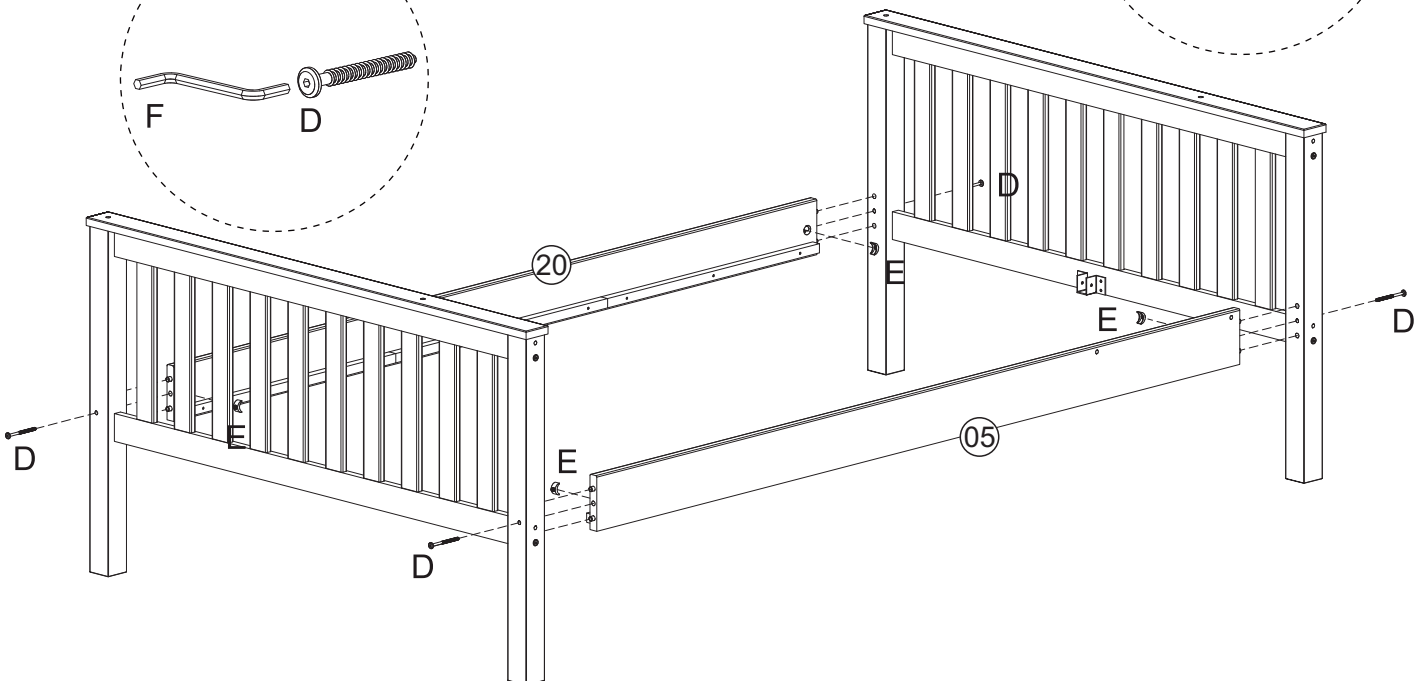
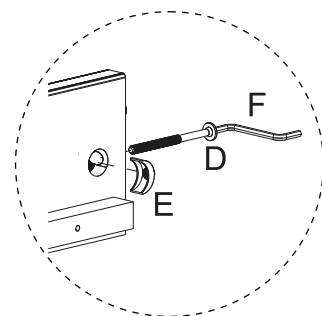
F - 1x



E - 1/4" - 4x

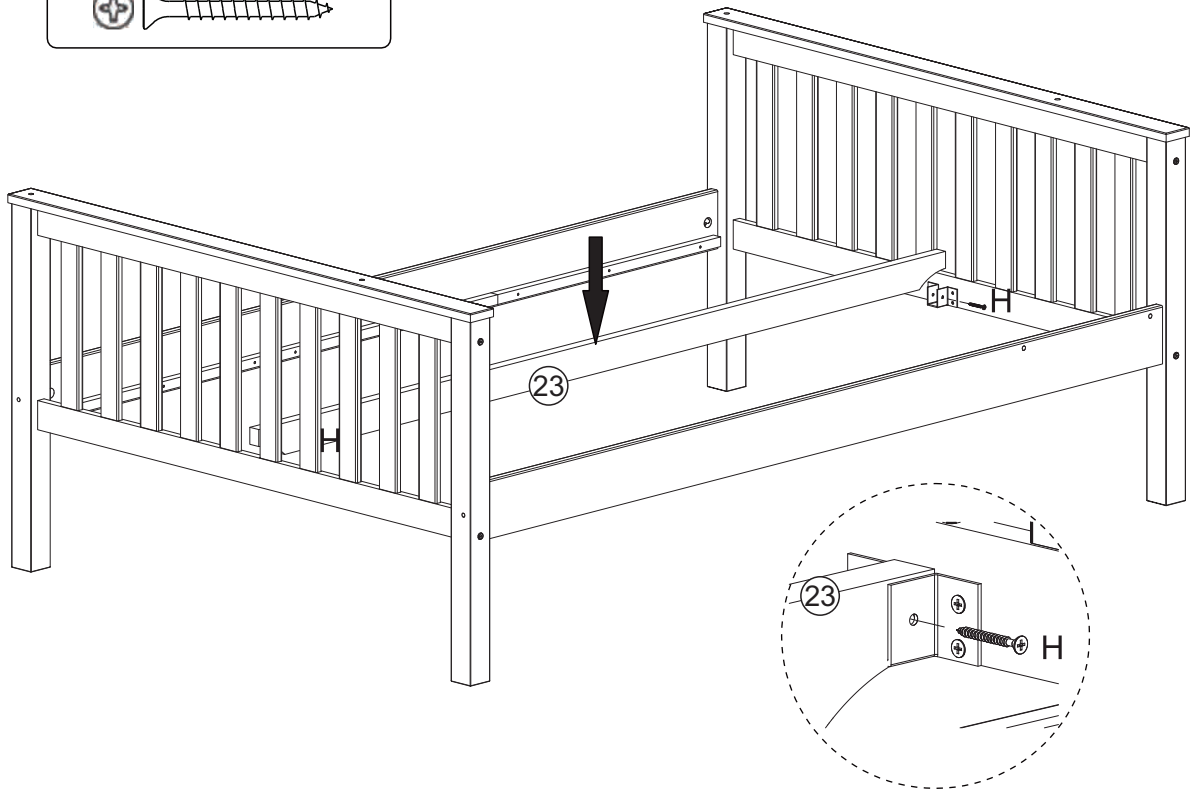
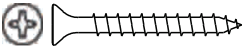


1/4"



Step
7

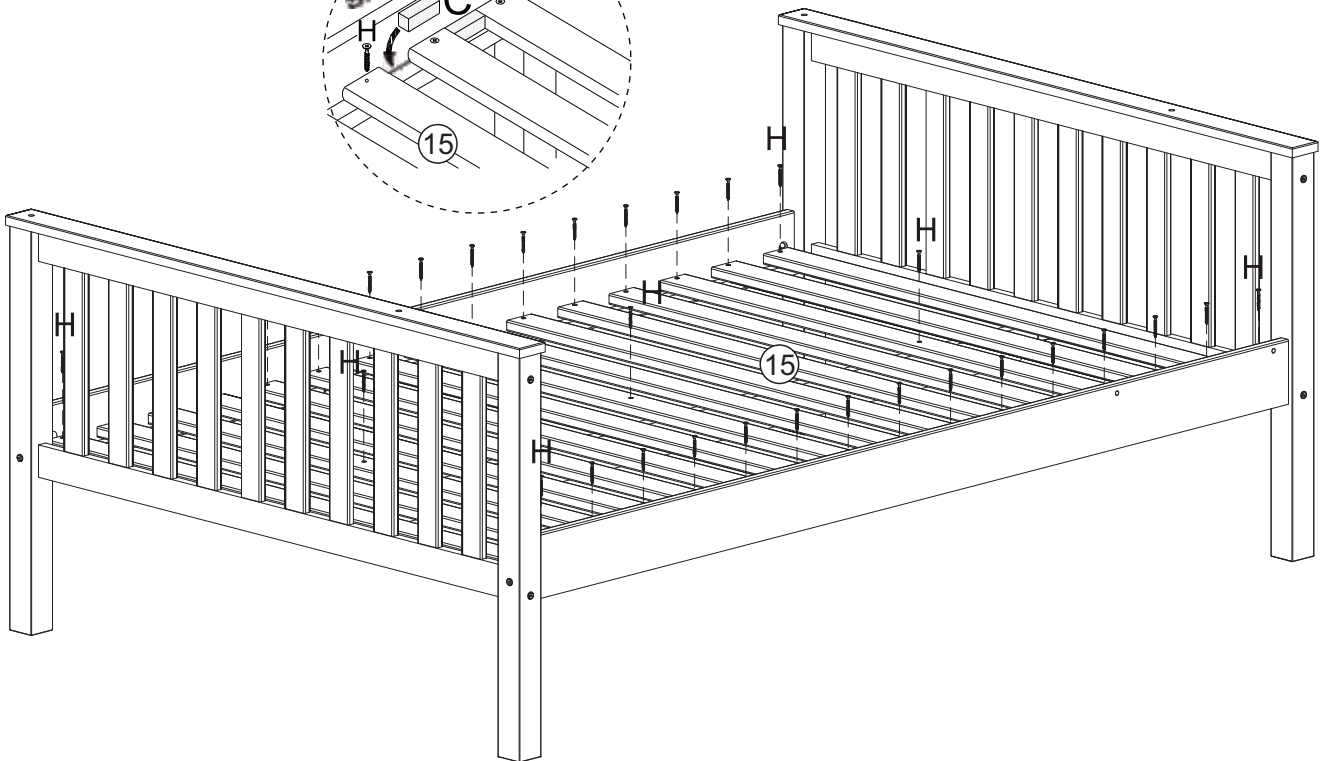
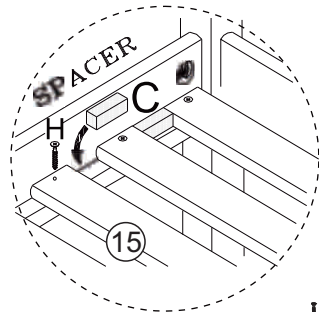
H - 4,0 x 35 mm - 02x



Step
8

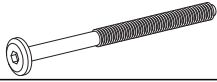
C - 2x
Slat Spacer

H - 4,0 x 35mm - 59x



Step 9

D - 1/4 x 100mm - 04x



F - 1x

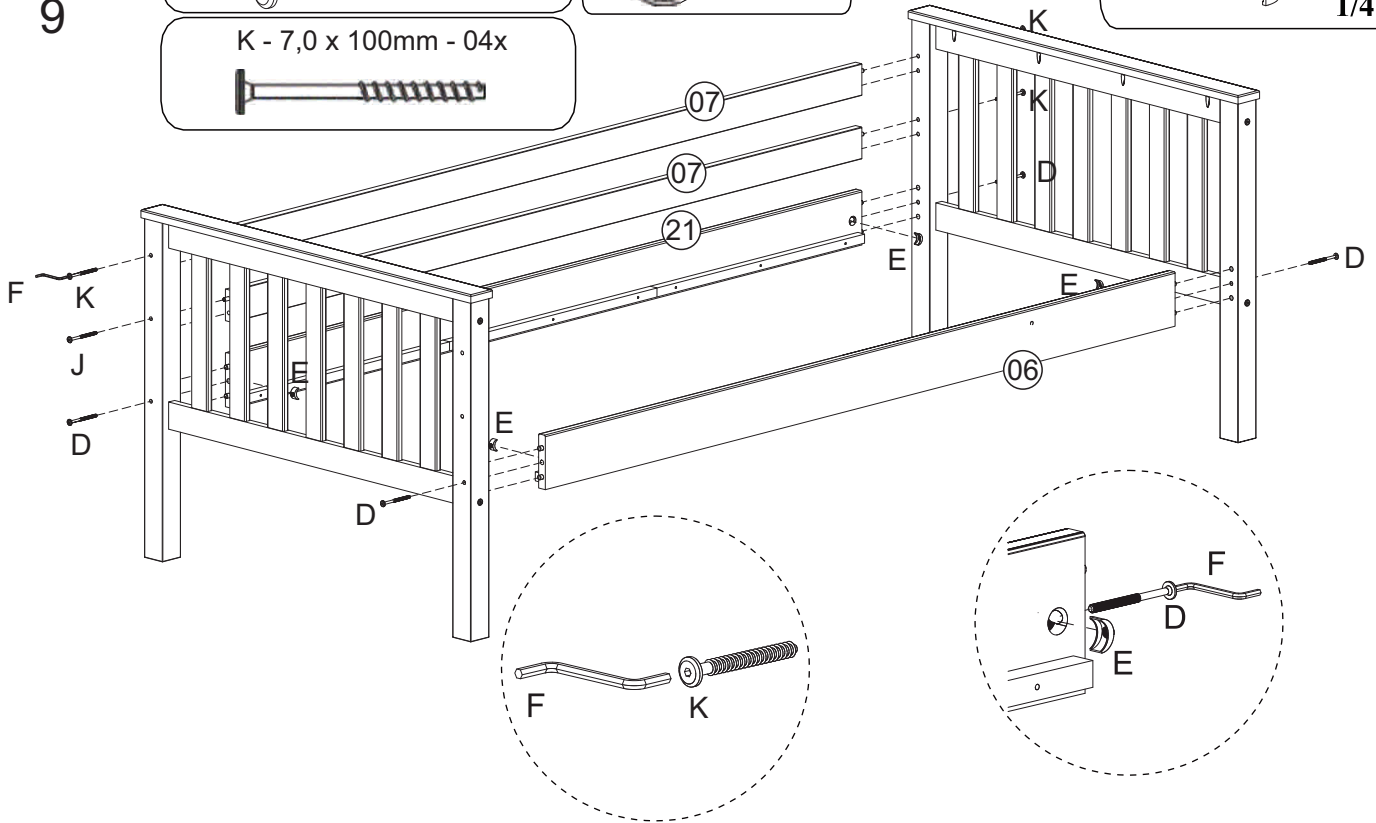


E - 1/4" - 4x



1/4"

K - 7,0 x 100mm - 04x



Step 10

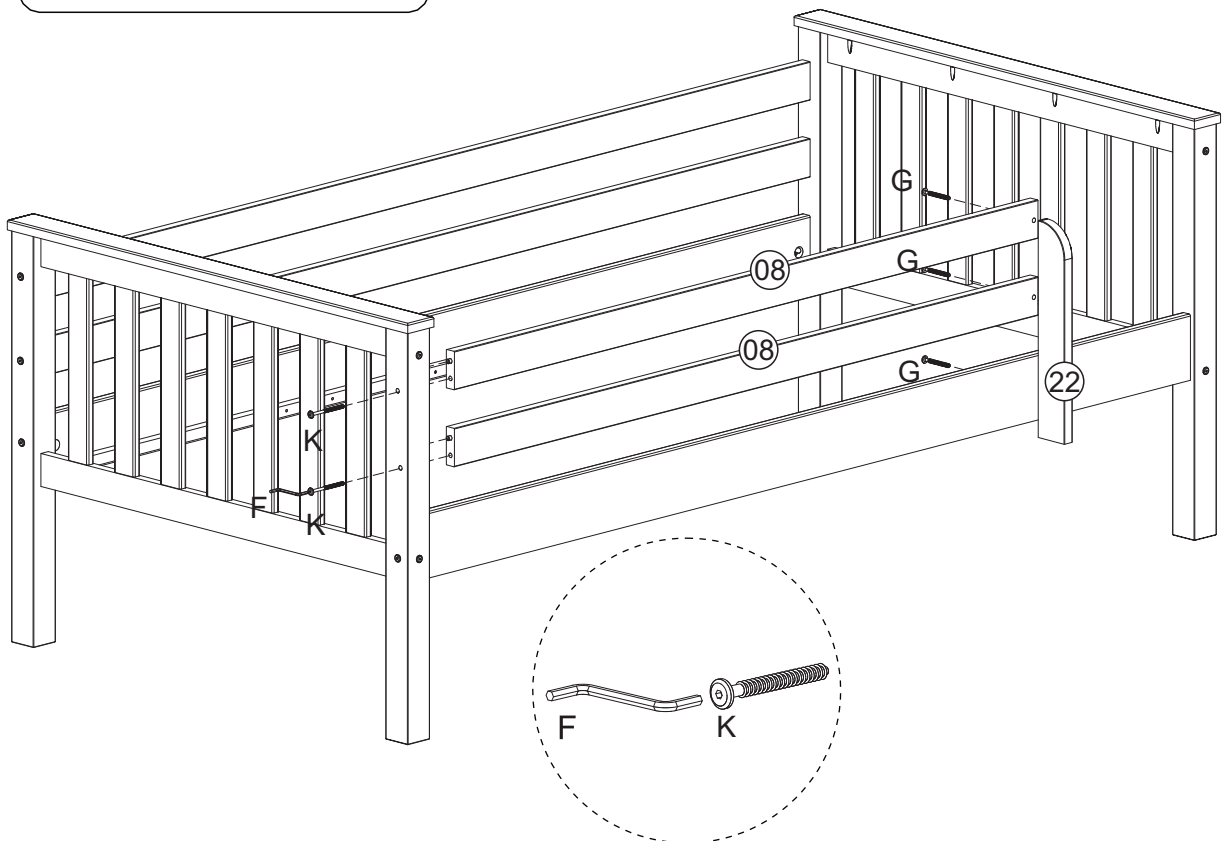
G - 7,0 x 50mm - 03x



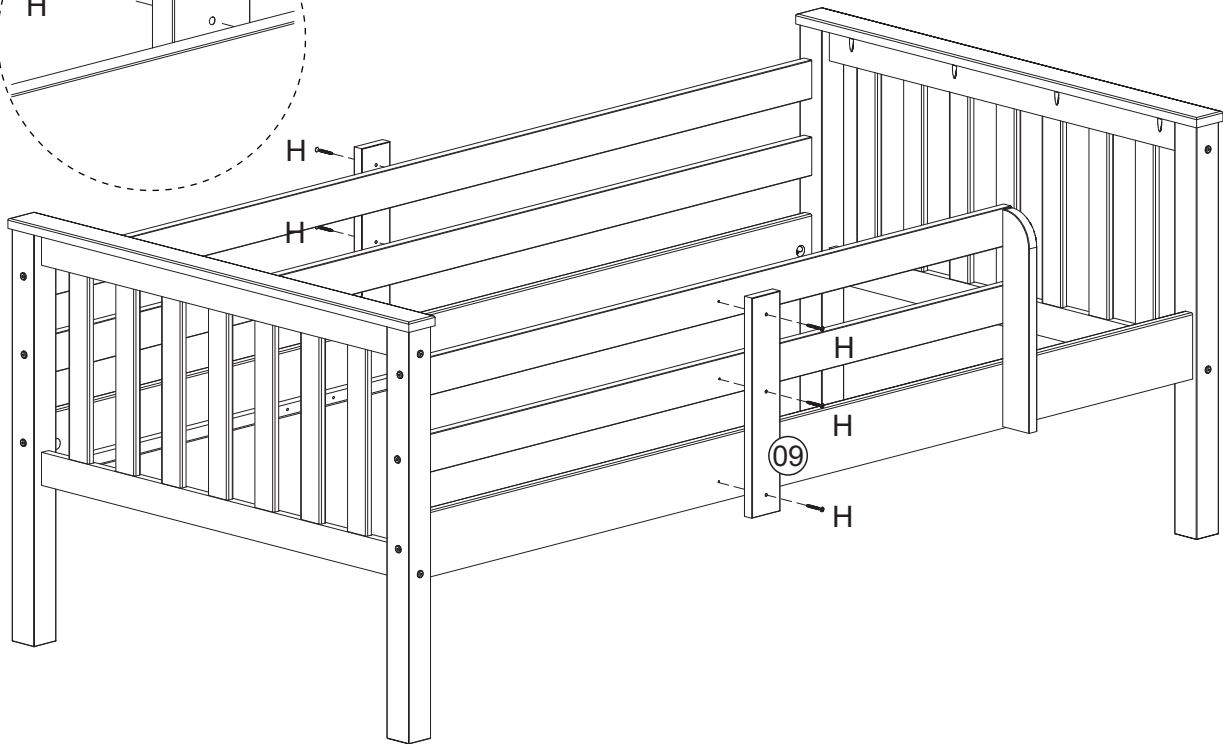
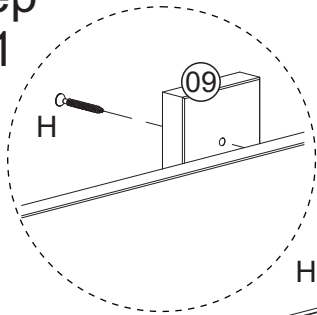
F - 1x



K - 7,0 x 100mm - 04x



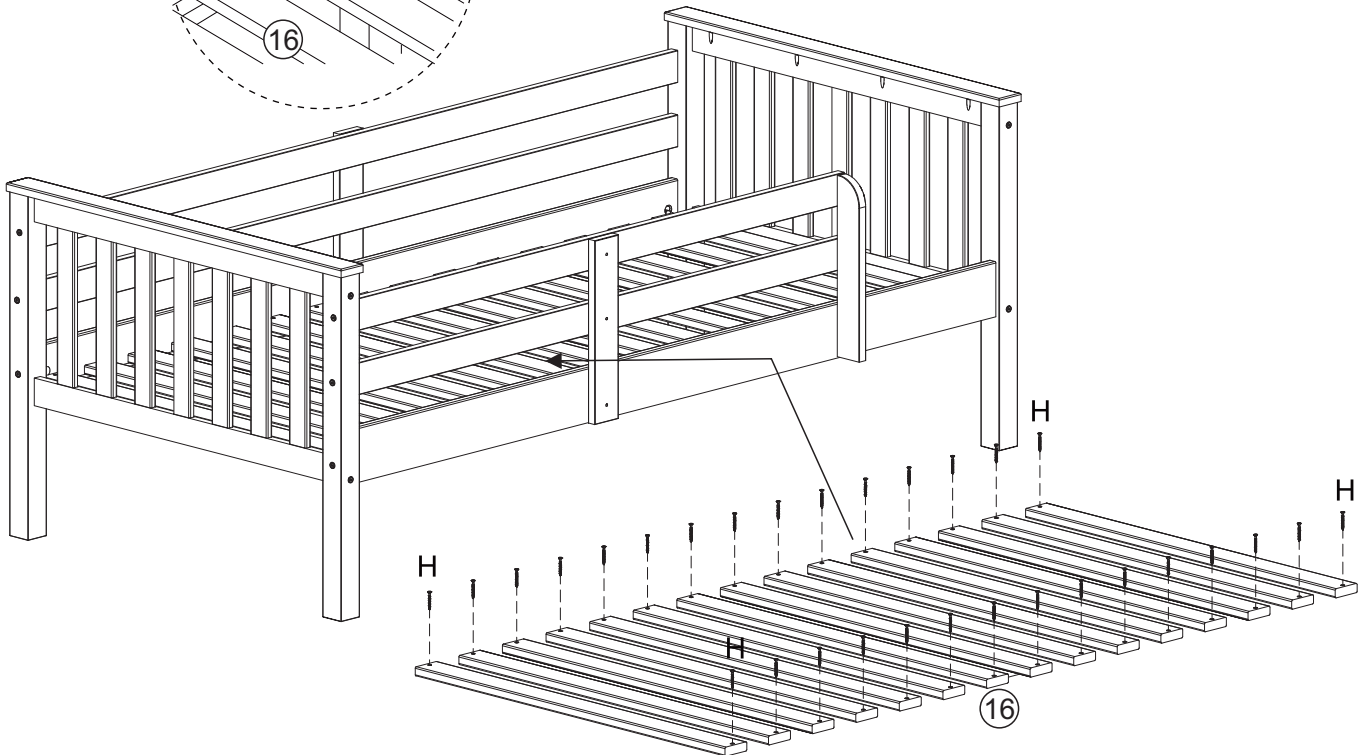
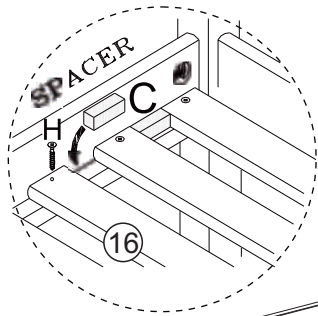
Step
11



H - 4,0 x 35mm - 06x



Step
12

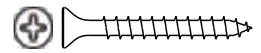


C - 2x



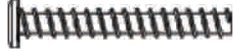
Slat Spacer

H - 4,0 x 35mm - 30x



Step 13

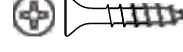
G - 7,0 x 50mm - 12x



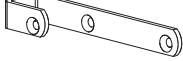
F - 1x



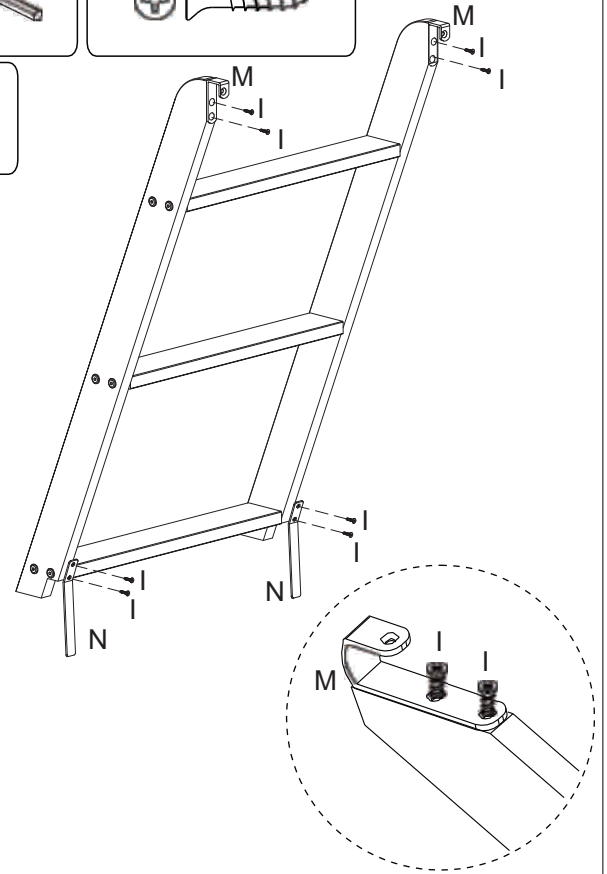
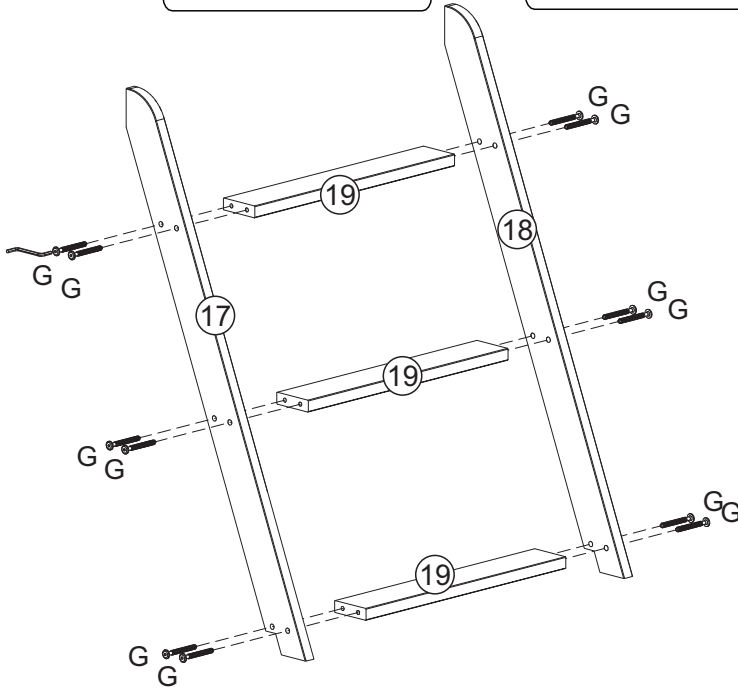
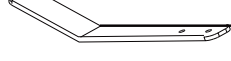
I - 3,5 x 16mm - 08x



M - 2x

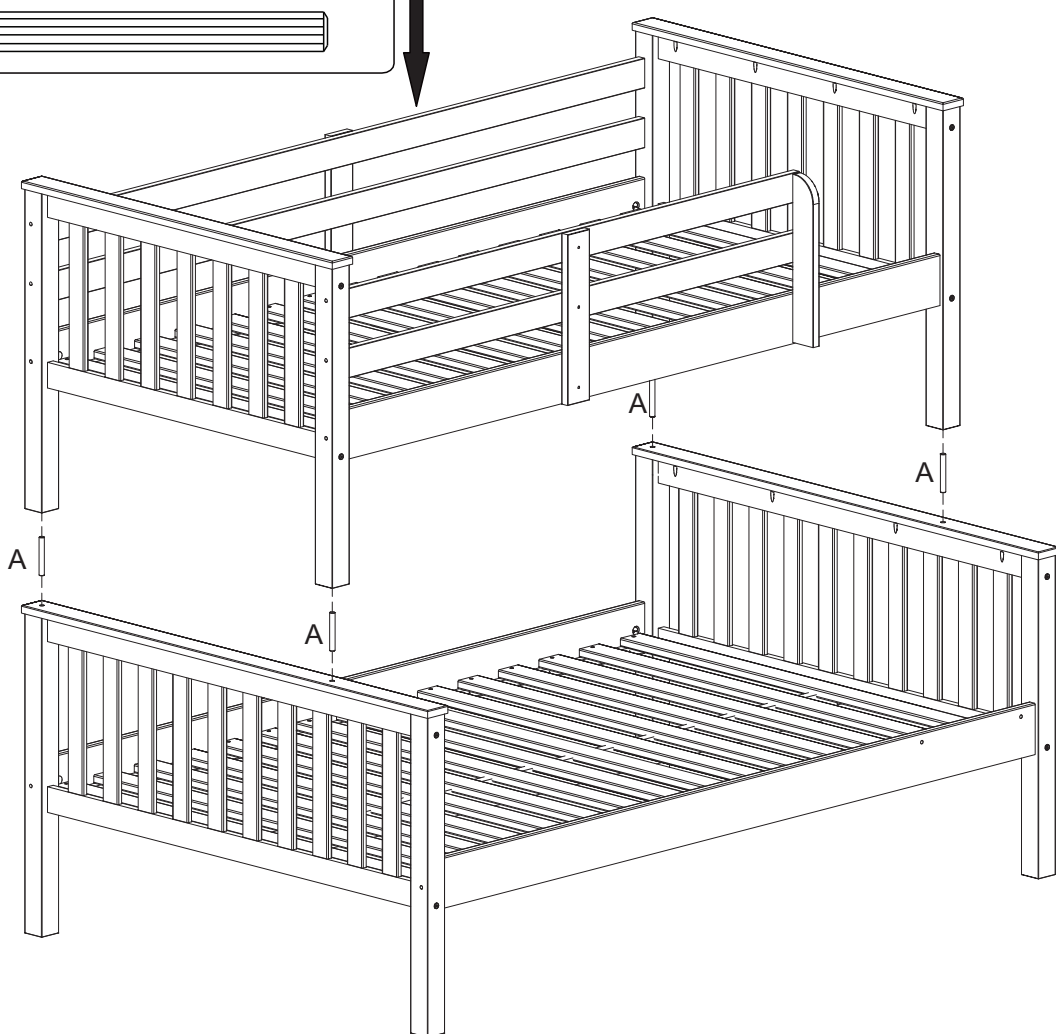
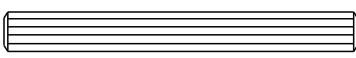


N - 2x



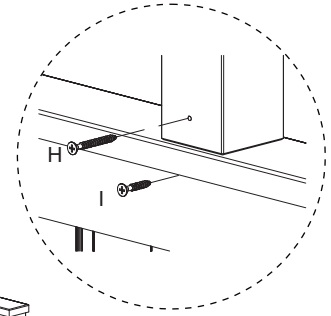
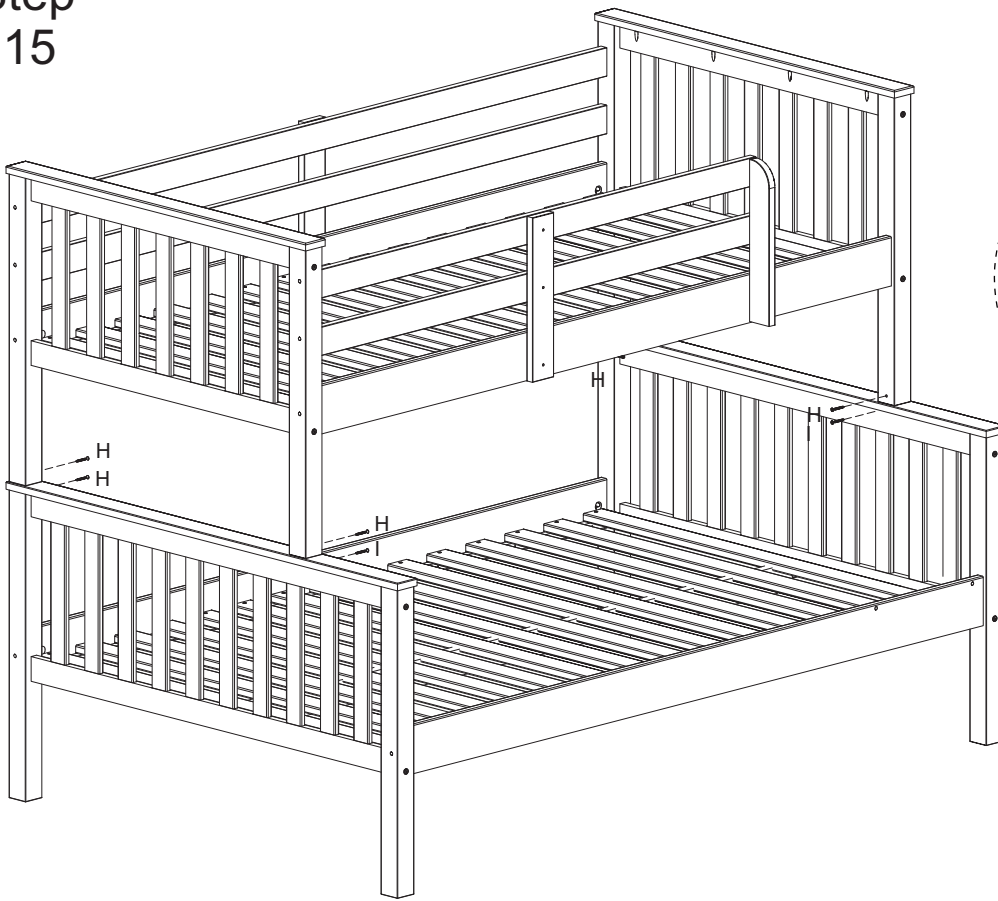
Step 14

A - 12 x 90mm - 4x

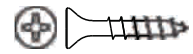


Step 15

H - 4,0 x 35mm - 06x



I - 3,5 x 16mm - 02x



Step 16

I - 3,5 x 16mm - 04x

