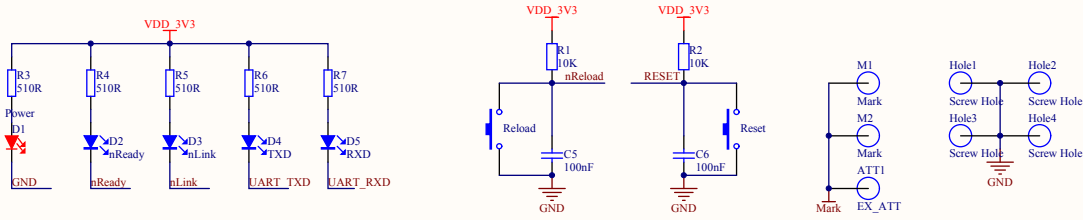
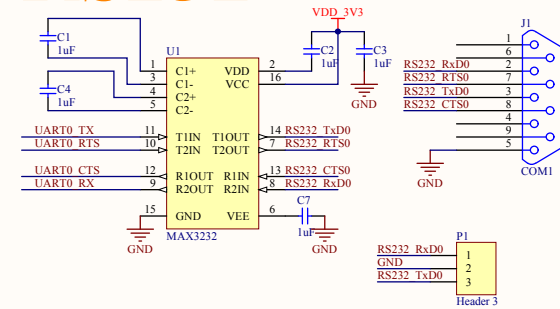


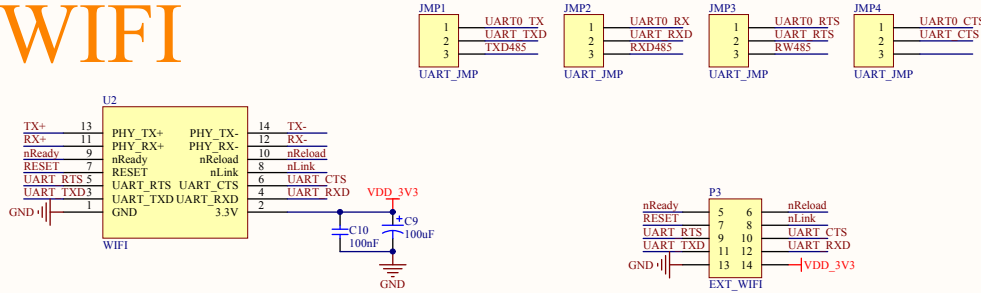
KEY&LED



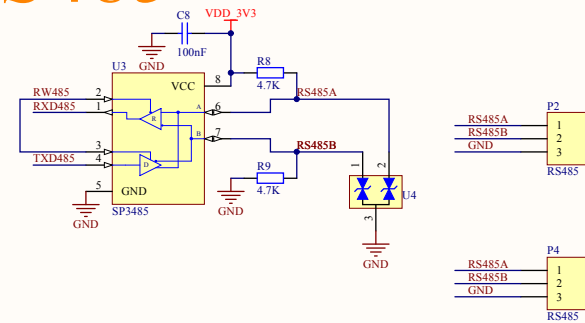
RS232



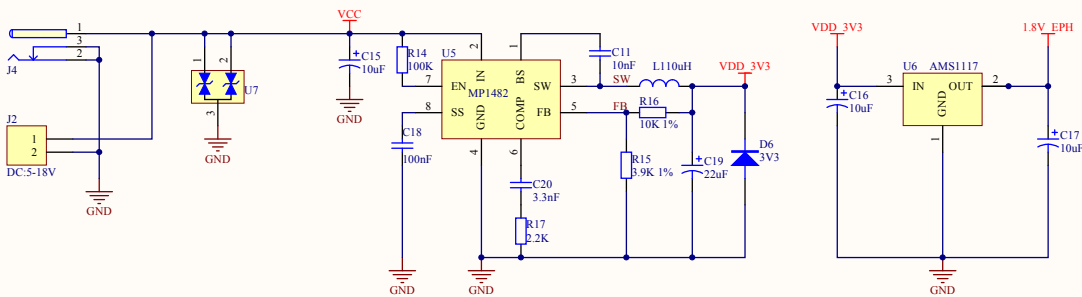
WIFI



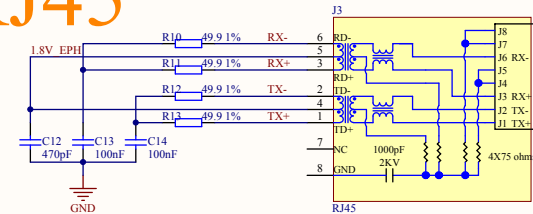
RS485



POWER



RJ45



| | | |
|-------|---------------------|-----------|
| Title | | |
| Size | Number | Revision |
| A3 | | |
| Date: | 2012-11-23 | Sheet of |
| File: | M:\wif232-2E.SchDoc | Drawn By: |

| Comment | Description | Designator | Footprint | LibRef | Quantity |
|------------|--|--------------------------------|----------------|------------|----------|
| EX_ATT | | ATT1 | att | Screw Hole | 1 |
| 1uF | Generic non-electrolytic capacitor | C1, C2, C3, C4, C7 | 0603 | CAP | 5 |
| 100nF | Capacitor, Generic non-electrolytic capacitor | C5, C6, C8, C10, C13, C14, C18 | 0603 | Cap | 7 |
| 100uF | Polarized Capacitor (Axial) | C9 | EC(SMD)8.4 | Cap Pol2 | 1 |
| 10nF | Capacitor | C11 | 0603 | Cap | 1 |
| 470pF | Capacitor | C12 | 0603 | Cap | 1 |
| 10uF | Polarized Capacitor (Axial) | C15, C16, C17 | 1210C | Cap Pol2 | 3 |
| 22uF | Polarized Capacitor (Axial) | C19 | 1210C | Cap Pol2 | 1 |
| 3.3nF | Capacitor | C20 | 0603 | Cap | 1 |
| Power | | D1 | 0805-DIODE | LED-R | 1 |
| nReady | RED_LED 0603 | D2 | 0805-DIODE | LED | 1 |
| nLink | RED_LED 0603 | D3 | 0805-DIODE | LED | 1 |
| TXD | RED_LED 0603 | D4 | 0805-DIODE | LED | 1 |
| RXD | RED_LED 0603 | D5 | 0805-DIODE | LED | 1 |
| 3V3 | Diode | D6 | D1206A | DIODE | 1 |
| Screw Hole | | Hole1, Hole2, Hole3, Hole4 | Hole_3mm-5mm | Screw Hole | 4 |
| COM1 | | J1 | DB9公头 | MYDB9 | 1 |
| DC:5-18V | Header, 2-Pin | J2 | HDR1X2 | Header 2 | 1 |
| RJ45 | | J3 | HR901101A | HR901101A | 1 |
| Power | | J4 | power | POWER_B | 1 |
| UART_JMP | Header, 3-Pin | JMP1, JMP2, JMP3, JMP4 | HDR1X3 | Header 3 | 4 |
| 10uH | Inductor | L1 | L-SMD7.5 | Inductor | 1 |
| Mark | | M1, M2 | MARK | Screw Hole | 2 |
| Header 3 | Header, 3-Pin | P1 | HDR1X3 | Header 3 | 1 |
| RS485 | Header, 3-Pin | P2 | 5.08-3 | Header 3 | 1 |
| EXT_WIFI | | P3 | EXTWIFI | EXT_WIFI | 1 |
| RS485 | Header, 3-Pin | P4 | HDR1X3 | Header 3 | 1 |
| 10K | Resistor | R1, R2 | 0603 | Res2 | 2 |
| 510R | | R3, R4, R5, R6, R7 | 0603 | RES2 | 5 |
| 4.7K | Resistor | R8, R9 | 0603 | Res2 | 2 |
| 49.9 1% | | R10, R11, R12, R13 | 0603 | RES2 | 4 |
| 100K | Resistor | R14 | 0603 | Res2 | 1 |
| 3.9K 1% | Resistor | R15 | 0603 | Res2 | 1 |
| 10K 1% | Resistor | R16 | 0603 | Res2 | 1 |
| 2.2K | Resistor | R17 | 0603 | Res2 | 1 |
| Reload | Switch | S1 | PK-5*5*0.8/SMT | SW-PB | 1 |
| Reset | Switch | S2 | PK-5*5*0.8/SMT | SW-PB | 1 |
| MAX3232 | +5V Powered RS-232 Driver/Receiver | U1 | SO-G16 | MAX232 | 1 |
| WIFI | | U2 | HA | WIFI | 1 |
| SP3485 | Low-Power, Slew-Rate-Limited RS-485/RS-422 Transceiver | U3 | SO-G8 | MAX485 | 1 |
| NUP2105L | Zener Diode | U4, U7 | SO-G3/C2.5 | NUP2105L | 2 |
| MP1482 | | U5 | SO-G8 | MP1482 | 1 |
| AMS1117 | | U6 | 1117S33 | AMS1117 | 1 |