

---

**Wireless 2-Input 0-5V ADC Sampling Interface**

---

# Wireless 2-Input 0-5V ADC Sampling Interface R718IA2 Data Sheet

---

Wireless Sensor Network Based on LoRa Technology



**R718IA2**

**Copyright©Netvox Technology Co., Ltd.**

This document contains proprietary technical information which is the property of NETVOX Technology. It shall be maintained in strict confidence and shall not be disclosed to other parties, in whole or in part, without written permission of NETVOX Technology.

The specifications are subject to change without prior notice.



 **LoRa Alliance Member™** **zigbee alliance member**

---

## Wireless 2-Input 0-5V ADC Sampling Interface

---

### General Description

The device is designed for a variety of resistive bridge-sensing applications like pressure, temperature, and level-sensing applications. It can also support other applications, weight scale and force-sensing applications that use strain gauge load cells, and other general resistive bridge signal-conditioning applications.

### Principle of Operation

This device can be connected to an ADC sampling interface device. Bare line black is the ground line; red one is the ADC sampling interface line, and the ADC sampling voltage range is 0-5V, which uses the SX1276 wireless communication module.

### Example Applications

- Battery Health
- Voltage Measurement
- Transducer Measurement
- Machinery
- Electrical Motors
- Weight Scale and Force-sensing
- Pressure, Temperature, Level-sensing Applications
- And many more...

### Features of NETVOX Sensors

- Wireless range of 10km \*1
- LoRaWAN™ Class A compatible
- Frequency Hopping Spread Spectrum (FHSS)
- Improved interference immunity
- Improved power management for longer battery life
- Encrypt-RF™ Security (Diffie-Hellman Key Exchange + AES-128 CBC for sensor data messages)
- Battery Life\*2:

Please refer to web: [http://www.netvox.com.tw/electric/electric\\_calc.html](http://www.netvox.com.tw/electric/electric_calc.html)

At this website, users can find battery life time for varier models at different configurations.

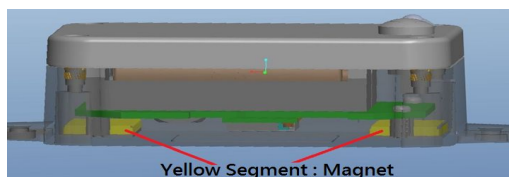
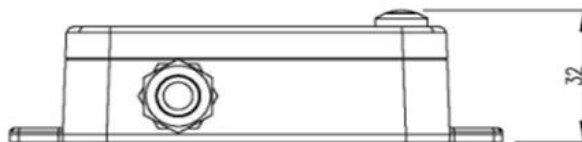
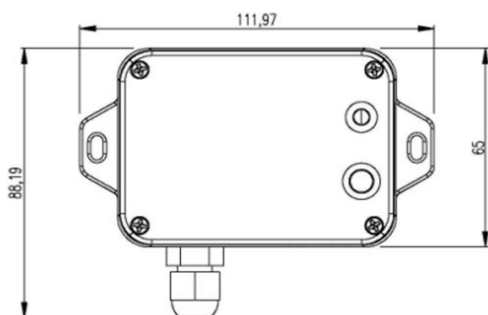
- Over-the-air updates (future)
- Third-Party online wireless sensor monitoring and notification system to configure sensors, view data and set alerts via SMS text and email (optional)
- Available third-party platform: Actility/ThingPark, TTN, MyDevices/Cayenne
- R718X series carry magnets which can be attached to ferromagnetic materials and objects

\*1. Actual range may vary depending on environment.

\*2. Battery life is determined by sensor reporting frequency and other variables

## Wireless 2-Input 0-5V ADC Sampling Interface

### Technical Specifications (Main Part)



(Uni. mm)

### Electric

Input Power	2 x 3.6V ER14505 AA lithium batteries (3.6V2400mah/section)
Sleeping Mode	26uA
Wake up Mode	6.3mA@3.3V
Receiving Current (max)	11mA @3.3V
Transmitting Current (max)	120mA/3.3V
Battery Voltage Measurement Accuracy	±0.1V
Low Voltage Threshold	3.2V

\* Specific electrical characteristics may vary depending on the power supply voltage.

### Frequency

TX Power	19dBm±1dBm
Rx Sensitivity	-136dBm (LoRa, Spreading Factor=12, Bit Rate=293bps ) -121dBm (FSK,Frequency deviation=5kHz, Bit Rate=1.2kbps)
Antenna Type	Build-in antenna
Communication Range	10 km (line-of-sight, the actual transmission distance depends on the environment)
Data Transfer Rate	0.3kbps~50kbps
Spread Technique	LoRa/FSK
Available Frequency	EU863-870, US902-928, AU915-928, KR920-923, AS923, CN470-510 Configured before shipment

## Wireless 2-Input 0-5V ADC Sampling Interface

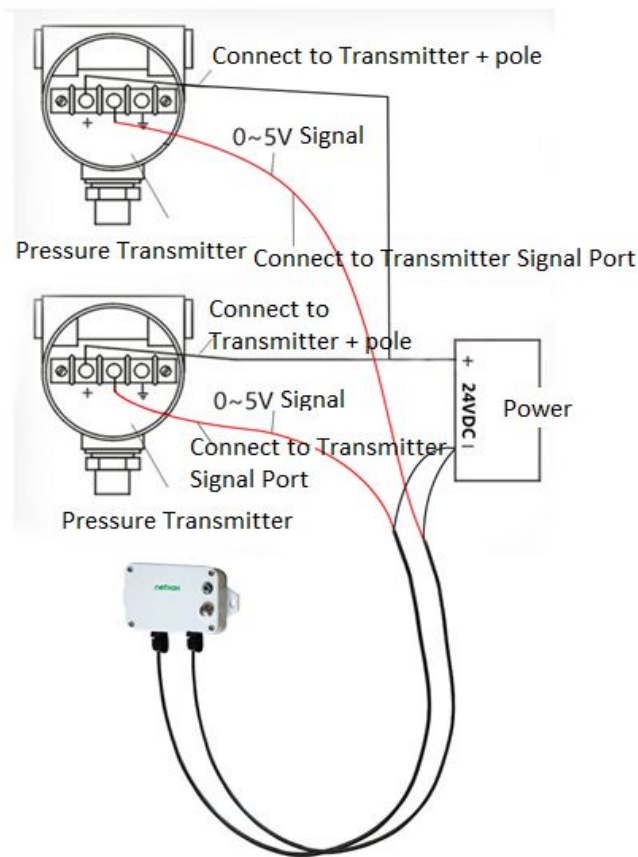
### ADC Sampling Characteristic

ADC Sampling Voltage Range	0-5V
Digit	12 digits
ADC Conversion Rate	1.14 Msps
External Cable Length	1m

### Physical

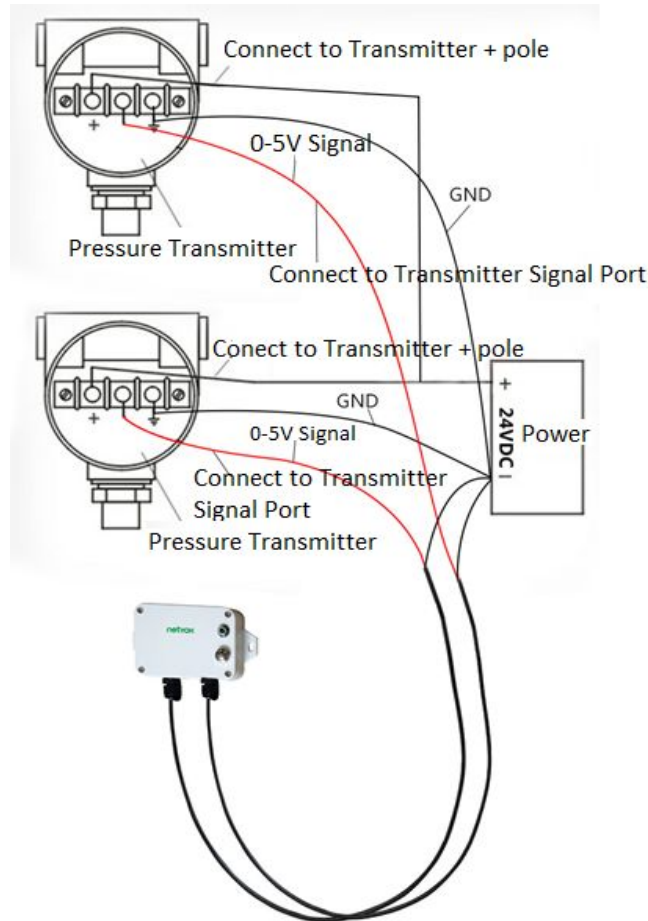
Dimension	Main Part: L: 112mm*W: 65mm*H: 32mm
Weight	150g
Environment Temperature Range	-20°C ~ 55°C
Environment Humidity Range	<90% RH (No condensation)
Storage Temperature	-40°C ~ 85°C

### 2-wire System Example Diagram (for wiring reference)



**Wireless 2-Input 0-5V ADC Sampling Interface**

**3-wire System Example Diagram (for wiring reference)**



**Contact:**

**NETVOX TECHNOLOGY CO., LTD.**

TEL: 886-6-2617641  
 FAX: 886-6-2656120  
 E-mail: sales@netvox.com.tw  
 WEB: www.netvox.com.tw

**NETVOX TECHNOLOGY CO., LTD (XIAMEN)**

TEL: 86-592-5717188  
 FAX: 86-592-5717180  
 E-mail: dyx@netvox.com.cn  
 WEB: www.netvox.com.cn



**LoRa Alliance Member™ zigbee alliance member**