

Wireless Relay Switch Control

R831C/R831D

Wireless Sensor Network Based on LoRa Technology



Copyright©Netvox Technology Co., Ltd.

This document contains proprietary technical information which is the property of NETVOX Technology. It shall be maintained in strict confidence and shall not be disclosed to other parties, in whole or in part, without written permission of NETVOX Technology. The specifications are subject to change without prior notice.

Wireless Relay Switch Control

Overview

R831C/D have three relay switches(output) and three dry contacts(input).

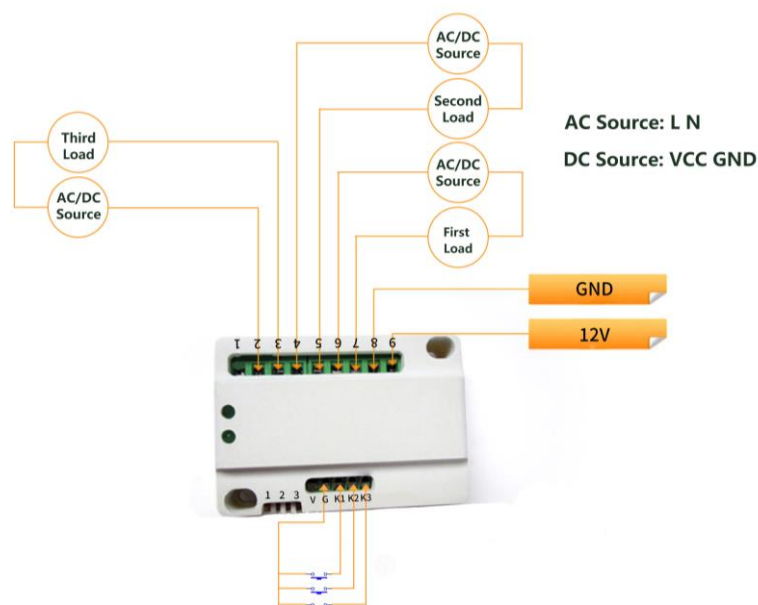
R831C can control 3 relay devices through external dry contact button or downlink commands.

R831D can report status of 3 dry contacts individually and control 3 relays

Application scenario

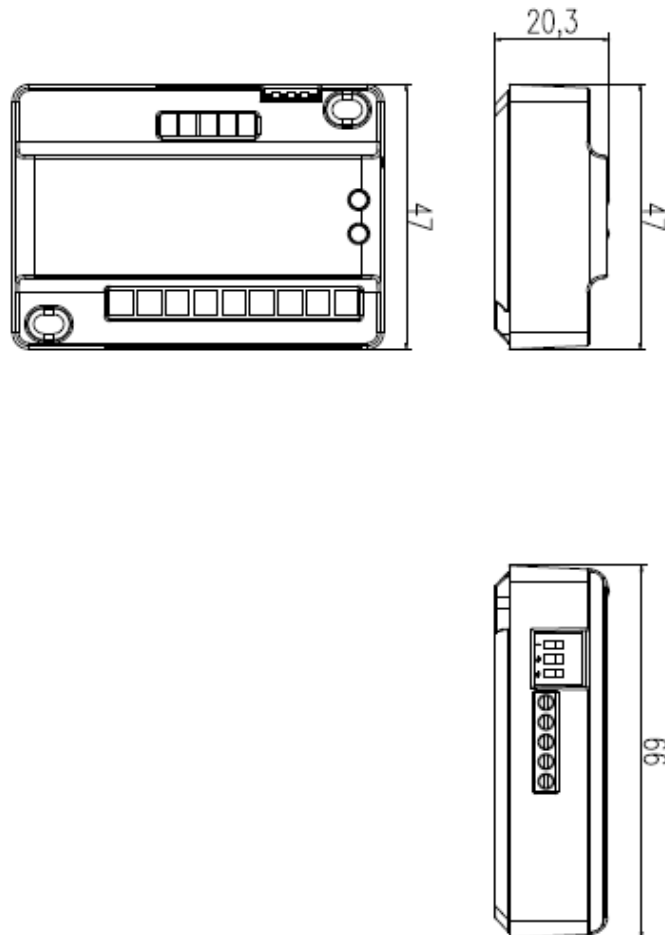
- Smart switches that can be applied in indoor environments such as home or office
- Remote-controlled devices that can respond in real time
- Others

Wiring diagram



R831C / R831D Wiring

Wireless Relay Switch Control

Dimensions**Main characteristics**

- Adopt SX1276 wireless communication module
- Three-way relays and dry contacts
- Compatible with LoRaWAN™ Class C
- Frequency hopping spread spectrum technology
- Configuration parameters can be configured through third-party software
- platforms, data can be read and alerts can be set via SMS text and email(optional)
- Applicable to third-party platforms: Actility / ThingPark, TTN, MyDevices / Cayenne

Wireless Relay Switch Control

Electrical characteristics

Work electric voltage	DC 12V / 1A
Work Current	20mA(12V) (Relay does not operate and no data transfer)
Relay Load Characteristics	AC250V/5A、DC30V/5A (contact load)
Relay Power Consumption	300mW
Relay Type	Magnetic Latching Relay
Relay Model	HFE60/5-1HSTGL2R

RF frequency parameter

Frequency range	863MHz-928MHz 470MHz-510MHz
Power Output	US915 20dbm; AS923 16dbm; AU915 20dbm; CN470 19.15dbm; EU868 16dbm; KR920 14dbm; IN865 20dbm;
Receiving Sensitivity	-136dBm (LoRa, Spreading Factor=12, Bit Rate=293bps); -121dBm (FSK,Frequency deviation=5kHz, Bit Rate=1.2kbps)
Antenna Type	Built-in antenna
Communication Distance	Up to 10 km (visible linear obstacle-free transmission distance , actual transmission distance depends on the environment)
Data Transfer Rate	0.3kbps~50kbps
Modulation System Mode	LoRa/FSK (Note: You can choose one of them)
Supportable LoRaWAN Band	EU863-870 · US902-928 · AU915-928, KR920-923, AS923, CN470-510 (Note: The frequency band is optional and needs to be configured before shipment)

Wireless Relay Switch Control

Physical characteristics

Size	66mm x 47mm x 20.3 mm
Working Temperature	-20°C ~ 55°C
Ambient Humidity Range	<90% RH (no condense)
Storage Temperature Range	-40°C ~ 85°C