



MSTronic Co., Ltd.

2F, 12, Gongshang Rd., Wugu District, New Taipei City, 248 Taiwan

TEL:886-2-2293-0159 FAX:886-2-2292-8851

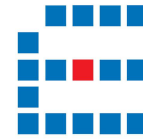
E.MAIL: mse@mse.com.tw
WEB: <http://www.mse.com.tw>

SPECIFICATION

MIT-33G-56B1N

PoE Injector

AC/DC, 1G/5G, 802.3at



Elecom Electronics Supply
Design. Come True.

Email: info@elecomes.com

1. INPUT :

- 1.1 Input Voltage: AC 100V ~ 240V
- 1.2 Input Frequency : 50 ~ 60hz
- 1.3 Input Current: 0.86A at 100Vac @F.L
0.38A at 240Vac @F.L
- 1.4 Inrush current: 25A Max at 120Vac & 50A Max at 230Vac

2. OUTPUT :

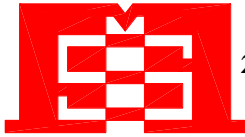
2.1 Output Voltage & Current:

| | |
|-------------|---------|
| OUTPUT | +56V |
| Max. load | 0.625A |
| Power | 35W Max |
| Min. Load | 0A |
| Load reg. % | 5% |
| Line reg. % | 1% |
| Ripple % | 1% |
| Noise % | 2% |

TOTAL POWER : 35 W

Note 1: Ripple & Noise bandwidth is from DC to 20Mhz. Terminated With a 47uF Capacitor and 0.1uf MPE Capacitor of Proper Polarity.

- 3. EFFICIENCY : 85% min. at AC 100V ~ 240V Input @F.L
- 4. PROTECTION
 - 4.1 Short Circuit Protection
output Short GND Terminal will not damage the Power Supply will Auto Recover when Load status going to normally.
 - 4.2 Over Voltage Protection : 59V ~ 63V
 - 4.3 Over Current Limits : 802.3at Limits(~ 0.71A) @100V ~ 240Vac
 - 4.4 Input with Fuse Protection
- 5. EMC : Meet FCC Class B EN55032 Class B



MSTronic Co., Ltd.

2F, 12, Gongshang Rd., Wugu District, New Taipei City, 248 Taiwan

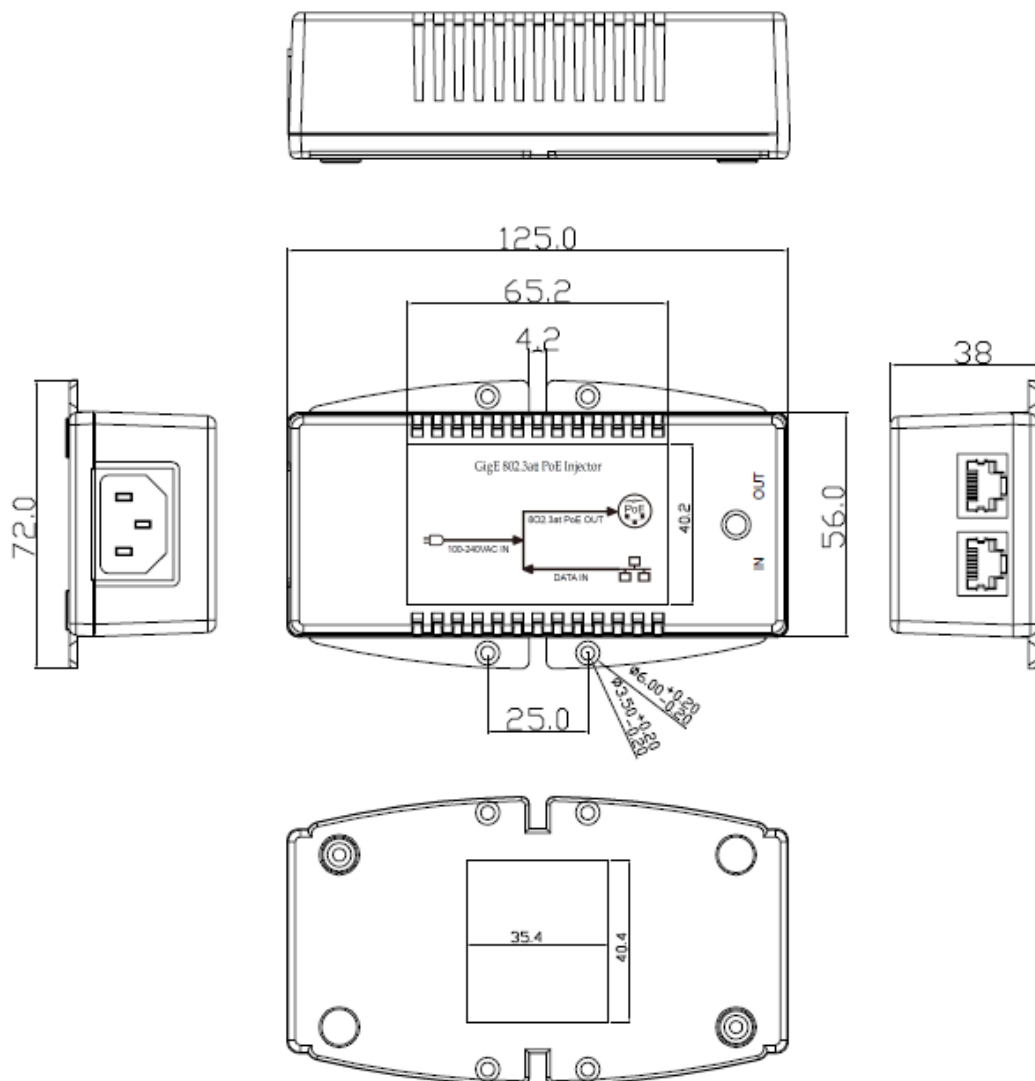
TEL:886-2-2293-0159 FAX:886-2-2292-8851

E.MAIL: mse@mse.com.tw
WEB: <http://www.mse.com.tw>

5.1 SAFETY STANDARD : Meet EN62368-1

6. GENERAL DESCRIPTION

- 6.1 Operation Temperature: -40 - +70 Degree
- 6.2 Storage Temperature: -40 - +85 Degree
- 6.3 Operation Humidity: 5% - 90%
- 6.4 Cooling: Free air cooling
- 6.5 SIZE 125*72*38 (L*W*H)
- 6.6 DIN rail mountable by clip kit (option)





MSTronic Co., Ltd.

2F, 12, Gongshang Rd., Wugu District, New Taipei City, 248 Taiwan

TEL:886-2-2293-0159 FAX:886-2-2292-8851

E.MAIL: mse@mse.com.tw
 WEB: http://www.mse.com.tw

7. RJ45 Connected and pin out: @1000/5000MBASE

| RJ-45 Input (Data Only) | | | RJ-45 Output (Data & Power) | |
|-------------------------|--------|--------------|-----------------------------|-----------------------|
| Pin | Symbol | Description | Symbol | Description |
| 1 | BI_DA+ | Data Pair A+ | BI_DA+ | Data Pair A+ |
| 2 | BI_DA- | Data Pair A- | BI_DA- | Data Pair A- |
| 3 | BI_DB+ | Data Pair B+ | BI_DB+ | Data Pair B+ |
| 4 | BI_DC+ | Data Pair C+ | +Vdc + BI_DC+ | power(+)+Data Pair C+ |
| 5 | BI_DC- | Data Pair C- | +Vdc + BI_DC- | power(+)+Data Pair C- |
| 6 | BI_DB- | Data Pair B- | BI_DB- | Data Pair B- |
| 7 | BI_DD+ | Data Pair D+ | -Vdc + BI_DD+ | power(-)+Data Pair D+ |
| 8 | BI_DD- | Data Pair D- | -Vdc + BI_DD- | power(-)+Data Pair D- |

8. Indicator:

LED light on RED indicates PWR ready.

LED light on GREEN indicates POE output OK to 802.3at or 802.3af PD

9. Power Output to P4,P5 & P7,P8 for Full Load.

10. Surge protection on data input ports

