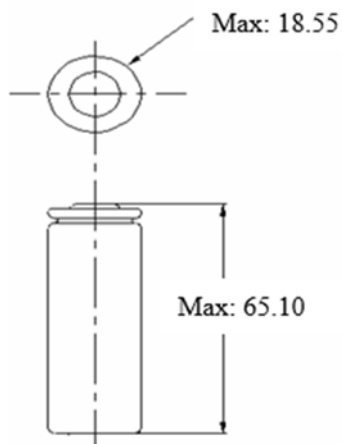


Part number: ELE-18650-BAK

Lithium-ion Rechargeable Cell

18650 3.6V 3350mAh



ITEM		SPECIFICATION
Capacity	Nominal capacity	3350mAh by standard charge and discharge
	Minimum capacity	3250mAh by standard charge and discharge
Nominal voltage		3.6 V
Charge cut-off voltage		4.20 V
Discharge cut-off voltage		2.50 V
Max charge current		1C (25°C, not for cycle life)
Max discharge current		3C (25°C, not for cycle life)
Storage temperature		1 year: -20~25 °C
		3 months: -20~45 °C
		1 month: -20~60 °C
Operation temperature		Charge Temperature: 0 ~ 45 °C Discharge Temperature: -20 ~ 60 °C
Humidity range		0 ~ 60% RH (non-condensing)
Internal resistance		≤ 35 mΩ(AC Impedance, 1000 Hz)
Weight		≤ 49g

Diameter(Max)	18.55mm
Height(Max)	65.10mm
Typical weight	49g
Available terminal suffix	radial tabs,radial pins,axial leads,flying leads