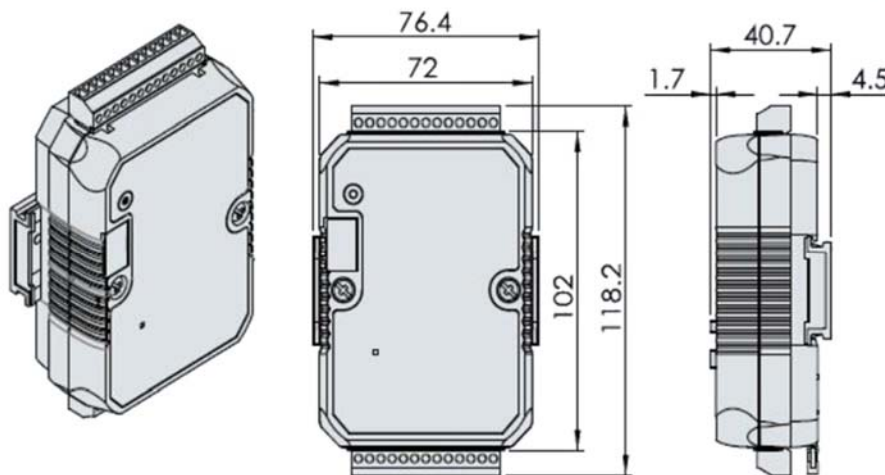


## A-1869

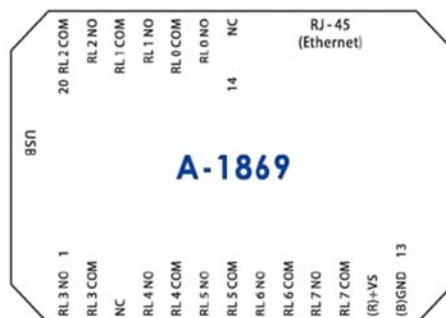
### 8DO Relay Output Ethernet Remote I/O Module

ATC remote Ethernet I/O Modbus module, support TCP/IP protocol, through the Ethernet interface with other Modbus TCP/IP protocol or PC communication equipment or remote control. Ethernet also supports 8 independent TCP communication connection, can use mobile phone, computer network remote monitoring page, also can be connected to the A-3290 Wi-Fi bidirectional remote controller directly control the output, no the need for any controller.

- ※ Burn-out Detection
- ※ Ethernet Interface + USB Interface
- ※ Supports 8 Independent Sockets Simultaneously
- ※ Remote monitoring and control with mobile devices
- ※ Built-in Step Motor Driver, Connect Directly
- ※ Output Over Current Protection (OCP)
- ※ Output Over Thermal Protection (OTP)
- ※ Output Under Voltage Lockout (UVLO)
- ※ Support MODBUS TCP/IP
- ※ Flexible User-defined Modbus address
- ※ Support LAN 10/100 Mbps Communication Rate
- ※ Free monitor PC software "Utility"



Unit: mm



## Product Parameters

Type	<b>A-1869</b>	
Operation Voltage	10 ~ 30VDC/24VAC	
Inputs	-	Status Low : <1VDC
		Status High : >5~30VDC
Outputs	8, Power Relay	
Continuous Current	250VAC ( 7A ) / 30VDC ( 7A )	
Ethernet	10/100Mbps	
Isolation	YES ( 5000VDC )	
Input Operating Frequency	10Hz	
Output Operating Frequency	10Hz	
Operation Temperature	-20 to +75°C	
Degree Of Protection	IP20	
Installation	35 mm DIN rail / Flush mounting	
Dimension ( W×H×D )	76.4*118.2*38.5 mm	
Analog Inputs	-	
Analog Input Type	-	
Analog Outputs	-	
Analog Output Type	-	
Input Impedance	-	
Analog Input / Output Accuracy	-	
Interface	Ethernet + USB	
Channel Independent Configuration	Yes	
Sampling Rate	10 sample/second ( Total )	
CMR @ 50/60 Hz	120 dB	
Span Drift	±50 ppm/°C	
Zero Drift	±18 μV/°C	

## Wiring Diagram and Pin out

