

DURAMAXTM A Product of
ALL PURPOSE VINYL GARAGES

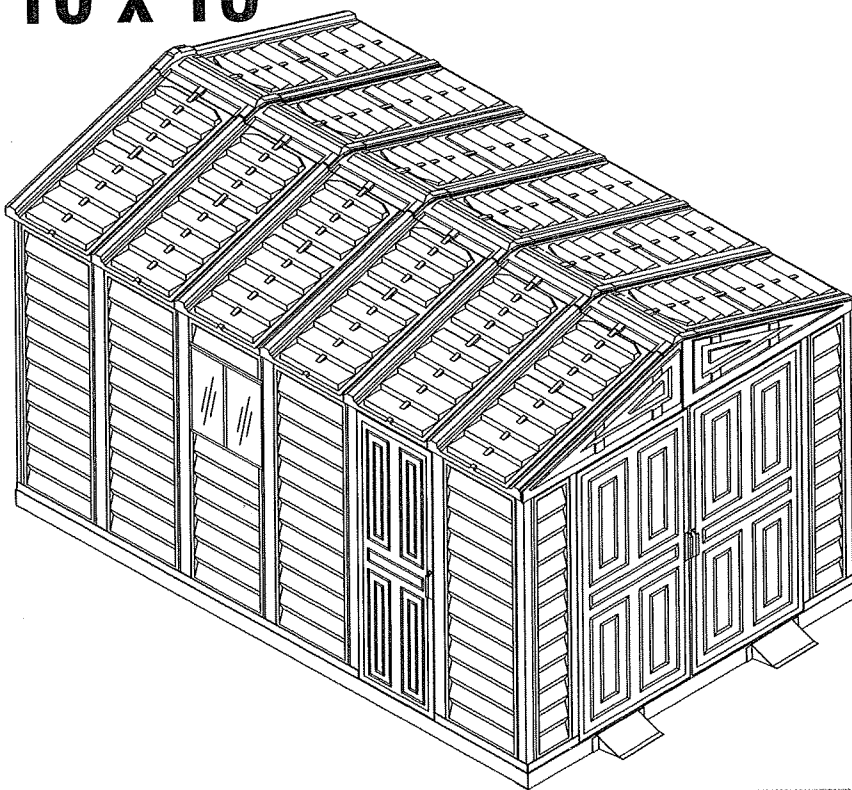
USP
US POLYMERS INC

Vinyl Garage

Patent #416.091

OWNER'S MANUAL / Instructions for Assembly Size 10'x 15'

Ver: 1.0



**Customer
Service Hotline
(800) 483-4674
www.uspolymersinc.com**

Your Total Solution To maintenance Free Garages.

- All Weather Durable PVC
- Won't Dent, Rust, Rot or Mildew
- Tall Walk In Shed
- Never Needs Painting
- 89" Wide Double Doors
- Easy Assembly
- High Wind Tested
- Snow Load Tested 20lbs/sq. foot
- Pad Lock Ready (Lock not included)

Available Kits

- Window Kits Available

Requires two people and takes about
4-5 hours for Installation.

Call us for any missing or damaged parts.
Do not return to the store

Duramax Garages Limited Ten Year Warranty

U.S. Polymer Inc. will send a replacement part free of charge, in the event of material defects and or workmanship for a period of ten years from the date of purchase.

This warranty is extended only to the original purchaser. A purchase receipt or other proof of date of original purchase will be required before warranty service is rendered. In no event shall we pay the cost of flooring, labor, installation or any other costs related thereto.

This warranty only covers failures due to defects in material or workmanship which occurs during normal use and does not extend to color change arising due to normal weathering or to damage resulting from misuse or neglect, commercial use, failure to follow assembly instructions and the owner's manual (including proper anchoring of the shed), painting, forces of nature and other causes which is beyond our control.

Claims under this warranty must be made within the warranty period by calling 1-800-483-4674 or mail in a dated sales slip and clear photograph of the part to:

U.S. Polymers, Inc.
6915 Slauson Avenue
Commerce, CA 90040

We reserve the right to discontinue or change components. If a component has been discontinued or is not available,

U.S. Polymers, Inc. reserves the right to substitute a component of equal quality as may be compatible.

Limits and Exclusions

There are no express warranties except as listed above. The warrantor shall not be liable for incidental or consequential damages resulting from the use of this product, or arising out of any breach of this warranty. All express warranties are limited to the warranty period set forth above. Some states do not allow the exclusion or limitation on how long an implied warranty lasts, so the above limitations may not apply to you.

This warranty gives you specific legal rights and you may also have other rights which vary from state to state or country to country.

Parts List



Note: Check all parts prior to installation.

CODE	DESCRIPTION	QTY
B1LH	FRONT 'U' CHANNEL LEFT	1
B1RH	FRONT 'U' CHANNEL RIGHT	1
B1LA	FRONT 'U' CHANNEL LEFT	1
B1RA	FRONT 'U' CHANNEL RIGHT	1
B21	SIDE 'U' CHANNEL	1
B22	SIDE 'U' CHANNEL	1
B3LA	BACK 'U' CHANNEL LEFT	1
B3RA	BACK 'U' CHANNEL RIGHT	1
EXTL	EXTENSION 'U' CHANNEL LEFT	3
EXTR	EXTENSION 'U' CHANNEL RIGHT	3
CMA	MIDDLE COLUMN	8
CMH	MIDDLE COLUMN	3
CCA	CORNER COLUMN	4
CDLA	LEFT DOOR COLUMN	1
CDLH	LEFT DOOR COLUMN	1
CDRA	RIGHT DOOR COLUMN	1
CDRH	RIGHT DOOR COLUMN	1
CB1A	CB1 CENTER BAND	1
CB1H	CB1 CENTER BAND	2
CB3A	CB3 CENTER BAND	1
CB3XA	CB3 CENTER BAND	5
CB4A	CB4 CENTER BAND	1
CB4H	CB4 CENTER BAND	2
CB6H	CB6 CENTER BAND	1
RS1H	RS1 ROOF STRUCTURE	4
RS2A	RS2 ROOF STRUCTURE	4
RS3LA	RS3 ROOF STRUCTURE LONG	5
RS3LH	RS3 ROOF STRUCTURE LONG	1
RS4XA	RS4 ROOF STRUCTURE	10
RS5A	RS5 ROOF STRUCTURE	4
RS6H	RS6 ROOF STRUCTURE	8
RS7H	RS7 ROOF STRUCTURE	8
RS13A	RS13 ROOF STRUCTURE	8
RS8H	RS8 ROOF STRUCTURE SUPP. LONG	4
RS9H	RS9 ROOF STRUCTURE SUPP. SHORT	4
MJ	MIDDLE JOINING SUPPORT	9
RS10A	RS10 ROOF STRUCTURE SUPPORT	2
RS11A	RS11 ROOF STRUCTURE SUPPORT SHORT	5
RS12A	RS12 ROOF STRUCTURE SUPPORT LONG	3
RS14A	SAGGING SUPPORT	24
DSHH	DOOR STOPPER HORIZONTAL	1
RS19H	VERTICAL SUPPORT - 1	4
RS20H	VERTICAL SUPPORT - 2	4
RS15L	RS15 ROOF STRUCTURE SUPPORT LEFT	2
RS15R	RS15 ROOF STRUCTURE SUPPORT RIGHT	2

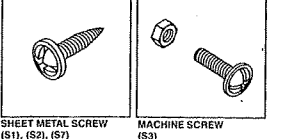
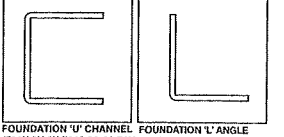
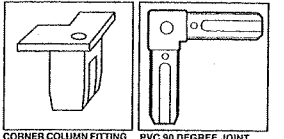
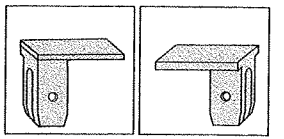
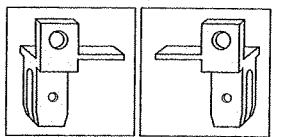
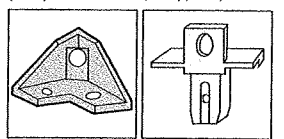
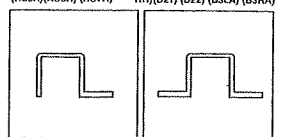
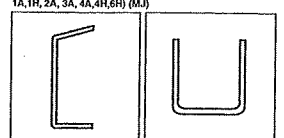
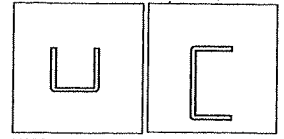
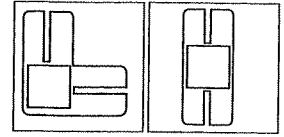
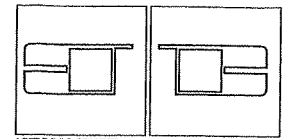
CODE	DESCRIPTION	QTY
RS16L	DOOR STOPPER LEFT	1
RS16R	DOOR STOPPER RIGHT	1
RG	RAMP	2
SP4	SIDE PANEL	15
FSPH4	FRONT SIDE PANEL	2
FPL	FACIA PANEL LEFT	2
FPR	FACIA PANEL RIGHT	2
RP4	ROOF PANEL	12
RRS	RIDGE COVER	6
DL	LEFT DOOR	1
DR	RIGHT DOOR	1
DS	DOOR SMALL	1

ACCESSORIES

CODE	DESCRIPTION	QTY
FDCL	DOOR COLUMN FITTING LEFT	1
FDCLC	DOOR COLUMN FITTING LEFT	1
FDCR	DOOR COLUMN FITTING RIGHT	1
FDCRH	DOOR COLUMN FITTING RIGHT	1
FCC	CORNER COLUMN FITTING	4
FMC	MIDDLE COLUMN FITTING	11
FCB	CENTER BAND FITTING	4
RJ	90 DEGREE JOINT	4
PPG	ROOF PLUG WITH WASHER	128
PIN	ROOF PIN	128
EPS	END PLUG SQUARE	7
CBC	CENTER BAND COVER	3
TCH	TOP CORNER	8
S1	DIA. 4.2 x 16mm. (5/32" x 5/8") SHEET METAL SCREW	420
S2	DIA. 4.2 x 32mm. (5/32" x 1 1/4") SHEET METAL SCREW	16
S7	DIA. 4.2 x 10mm. (5/32" x 3/8") SHEET METAL SCREW	40
S3	M4 x 10mm. (M5/32" x 3/8") MACHINE SCREW WITH NUT	33
S8	M6 x 29mm. (M1/4" x 3/4") HEX. BOLT & NUT WITH WASHER	9

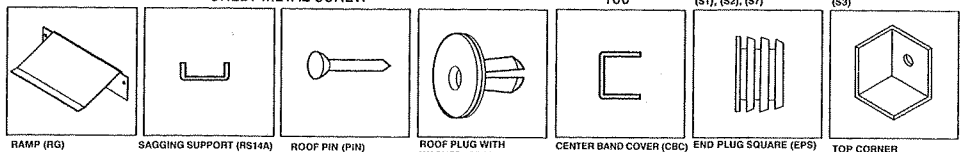
FOUNDATION

CODE	DESCRIPTION	QTY
F01H	FOUNDATION 'U' CHANNEL	2
F02H	FOUNDATION 'U' CHANNEL	2
F03	FOUNDATION 'L' ANGLE	4
F04A	FOUNDATION 'U' CHANNEL	6
F05A	FOUNDATION 'U' CHANNEL	6
F06A	FOUNDATION 'U' CHANNEL	21
F07	FOUNDATION 'U' CHANNEL	18
F03H	FOUNDATION 'U' CHANNEL	4
F08	FOUNDATION 'U' CHANNEL JOINT	8
S1	DIA. 4.2 x 16mm. (5/32" x 5/8") SHEET METAL SCREW	150

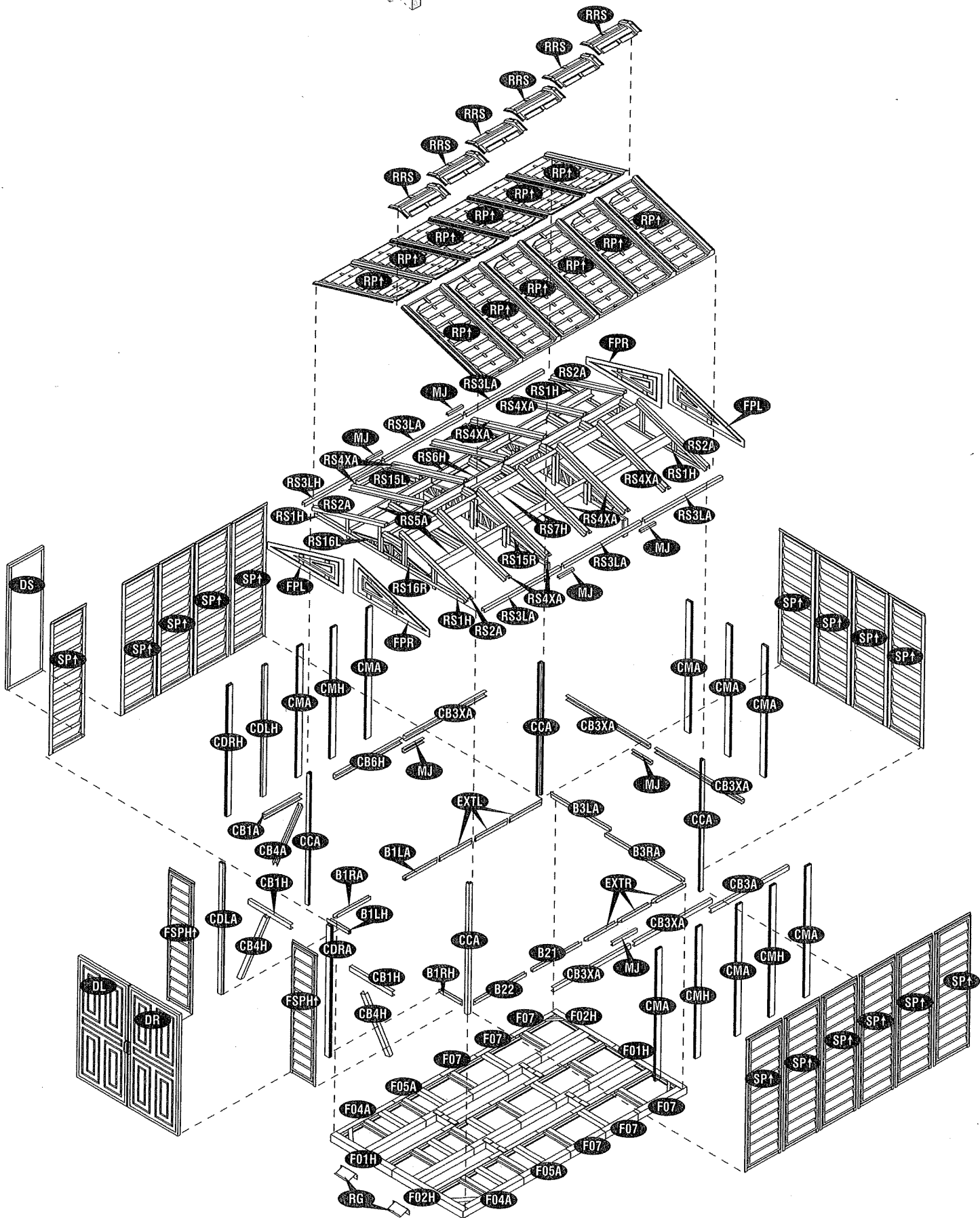


Tools You Will Need

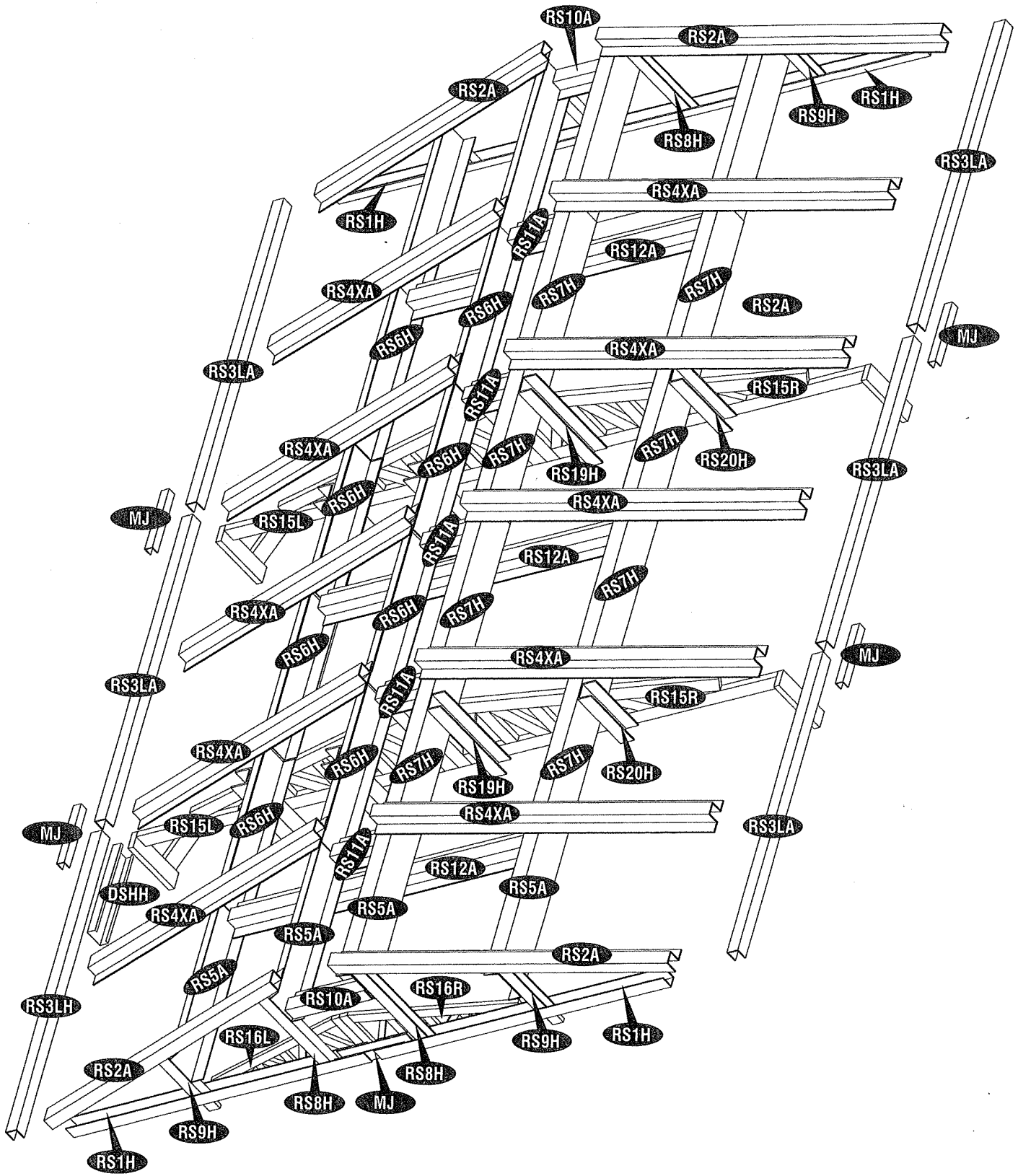
- Cordless Drill - Philips Head
- Hammer or Rubber mallet
- Carpenters Square
- 8' Step Ladder
- Adjustable pliers
- Level - 3ft.
- Tape Measure
- Caulk Gun
- Waterproof Clear Silicon Sealant
- Hand Gloves



Exploded View



Roof Structure Exploded View



A. Foundation

Note: It is important that these instructions are followed step by step.

Note

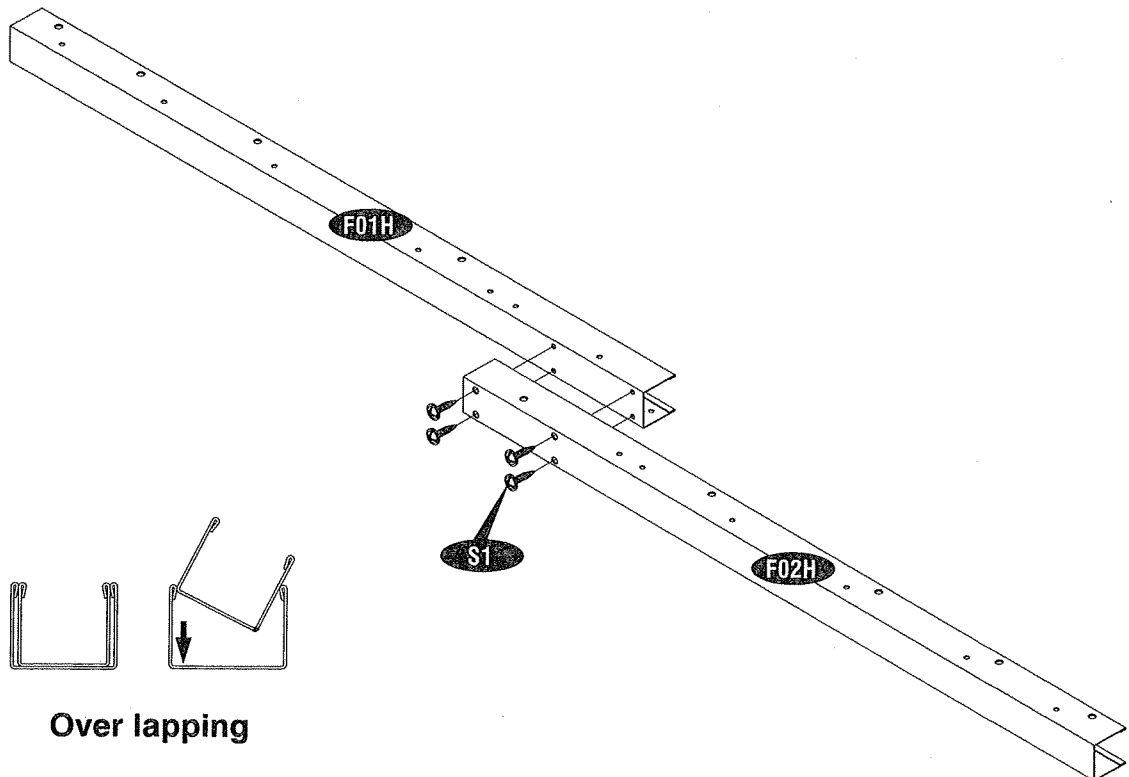
All parts are clearly marked and care should be taken to use the correct one.



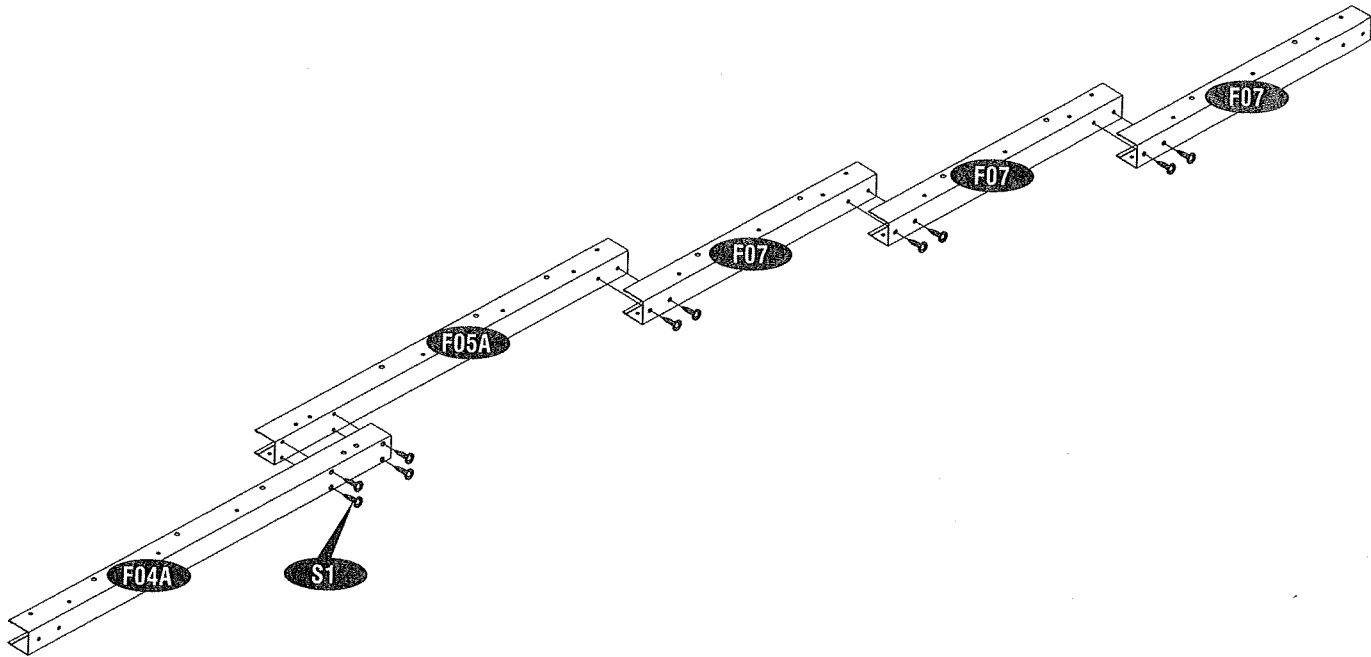
Parts Needed:

(2) Foundation 'U' Channel	(F01H)
(2) Foundation 'U' Channel	(F02H)
(4) Foundation 'L' Angle	(F03)
(6) Foundation 'U' Channel	(F04A)
(6) Foundation 'U' Channel	(F05A)
(21) Foundation 'U' Channel	(F06A)
(18) Foundation 'U' Channel	(F07)
(4) Foundation 'U' Channel	(F03H)
(8) Foundation 'U' Channel Joint	(F08)
(1) Base 'U' Channel	(B1LH)
(1) Base 'U' Channel	(B1RH)
(1) Base 'U' Channel	(B1LA)
(1) Base 'U' Channel	(B1RA)
(1) Base 'U' Channel	(B21)
(1) Base 'U' Channel	(B22)
(1) Base 'U' Channel	(B3LA)
(1) Base 'U' Channel	(B3RA)
(3) Base 'U' Channel	(EXTL)
(3) Base 'U' Channel	(EXTR)
Screws	(S1)

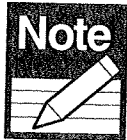
1. Assemble the channel (F01H) & (F02H) together using 4 (S1) screws. **Make 2 sets.**



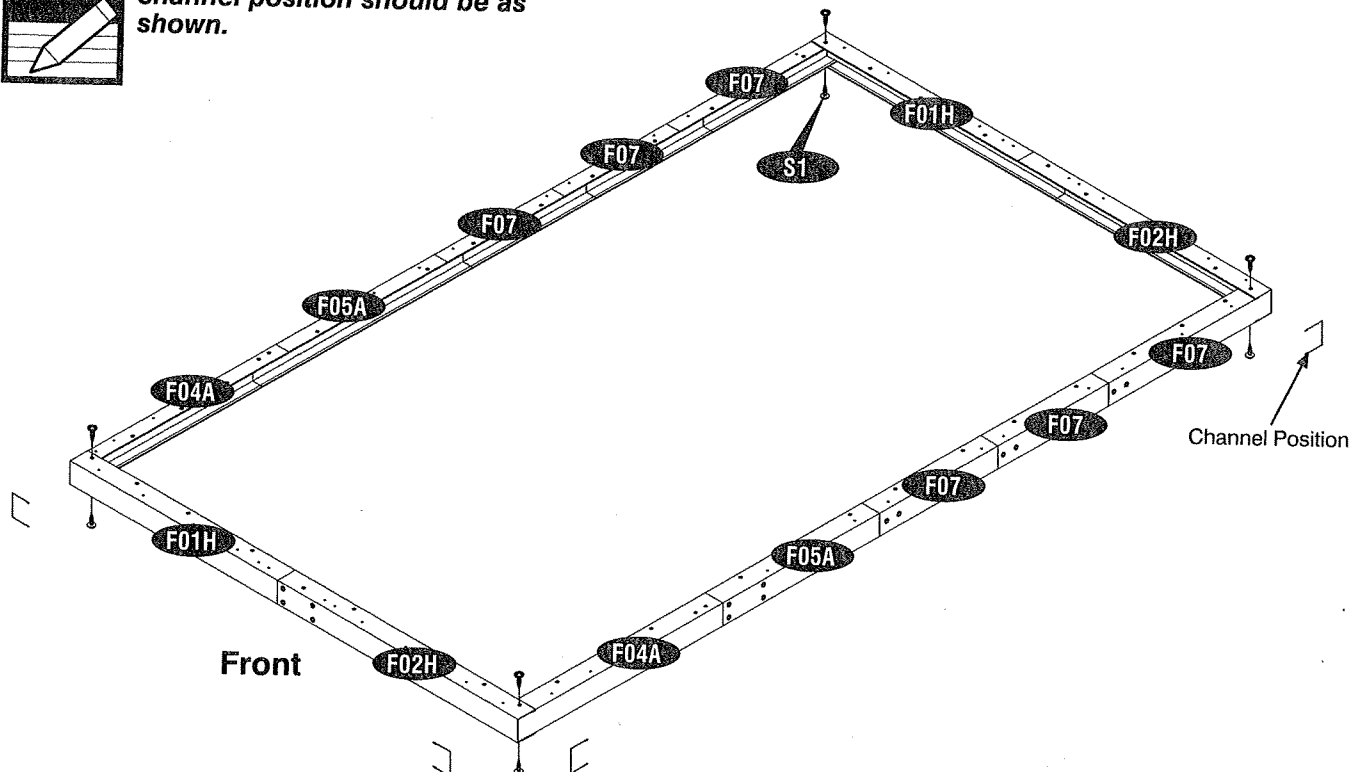
2. Assemble the channel (F04A), (F05A) & (F07) together using (S1) screws. Make 6 sets.



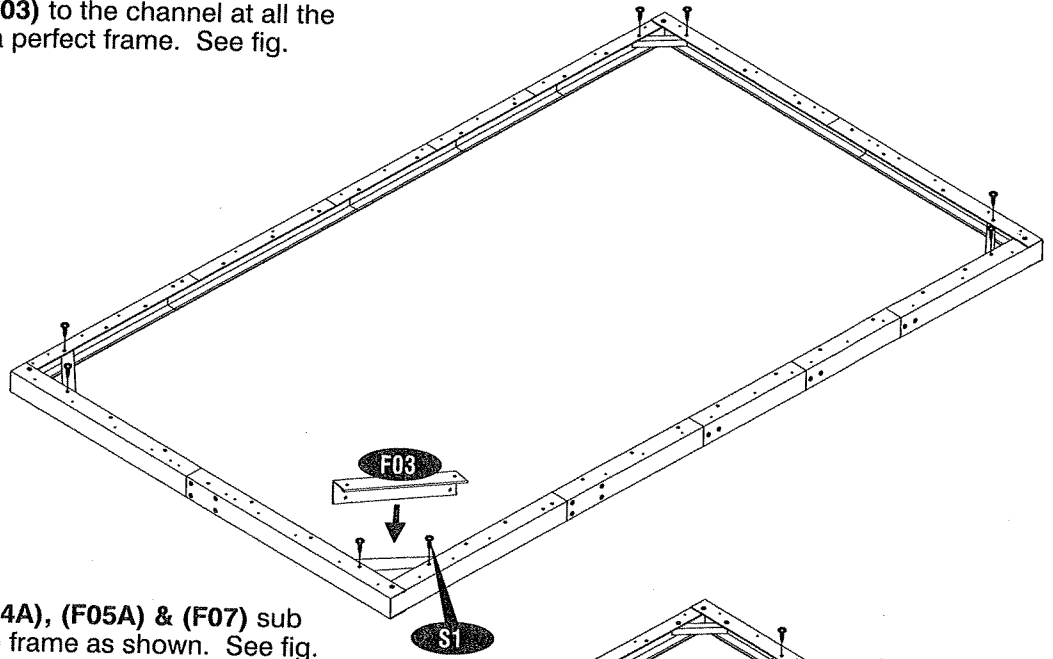
3. Make a frame with the sub assemblies as shown below.



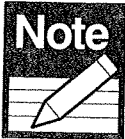
Note Make sure while assembling, the channel position should be as shown.



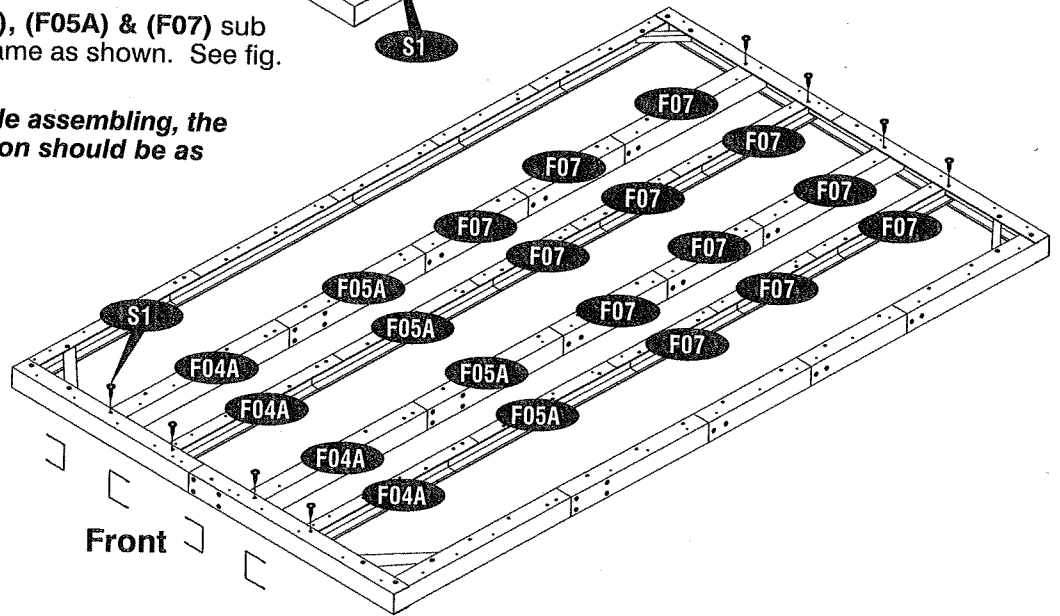
4. Fix the 'L' angle (F03) to the channel at all the four corners to make a perfect frame. See fig.



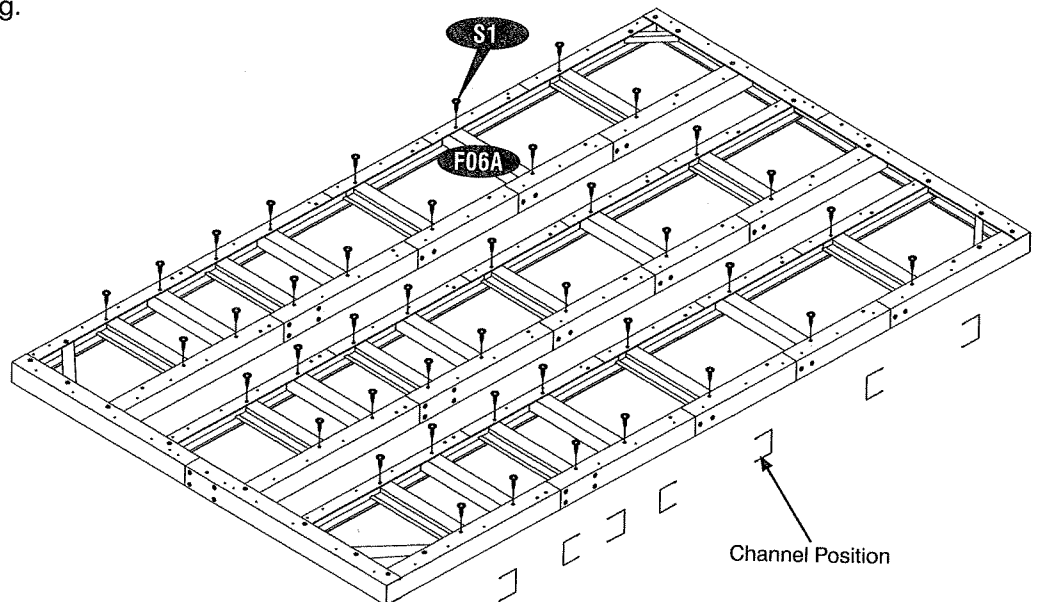
5. Fix the channel (F04A), (F05A) & (F07) sub assembly into the main frame as shown. See fig.



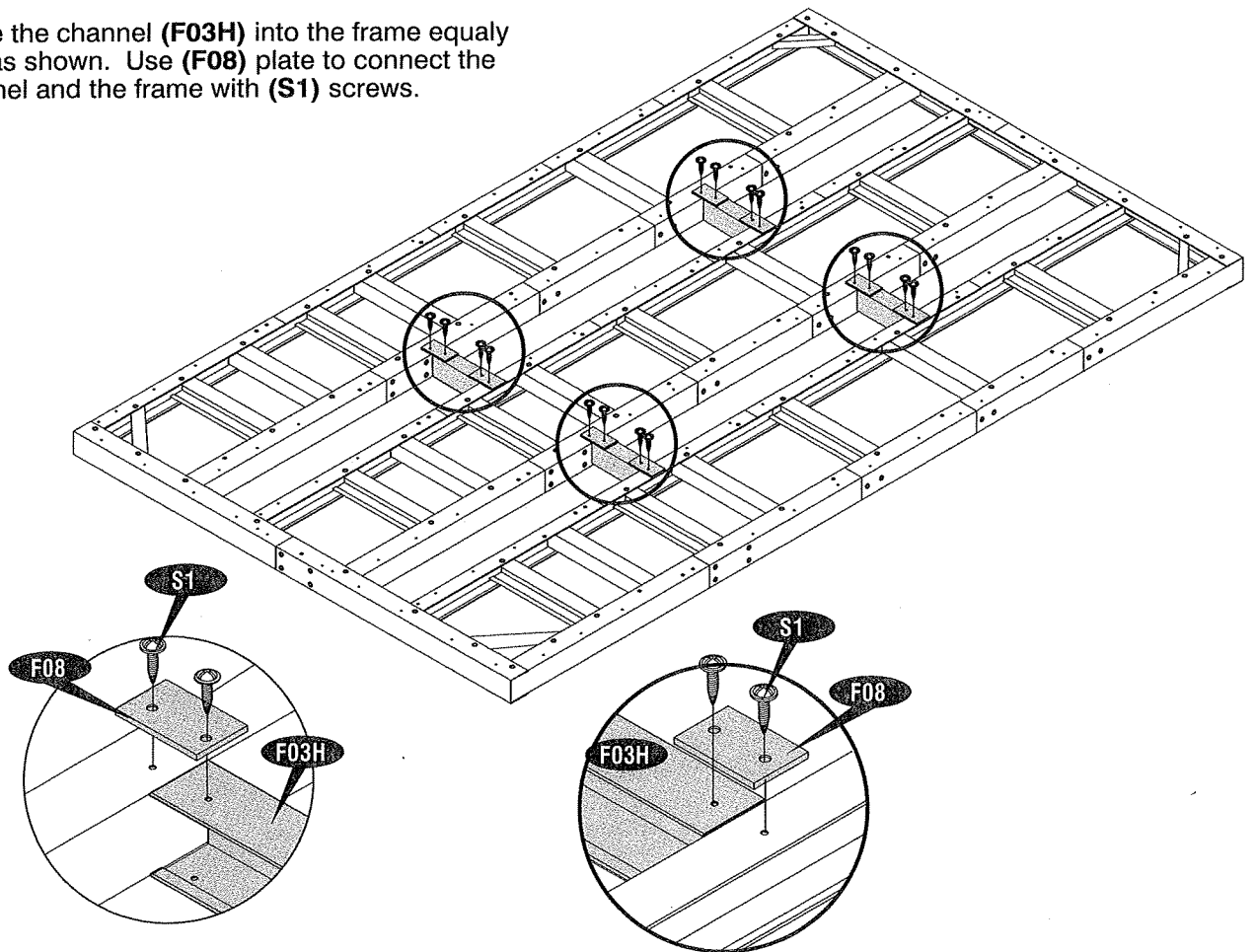
Note Make sure while assembling, the channel position should be as shown.



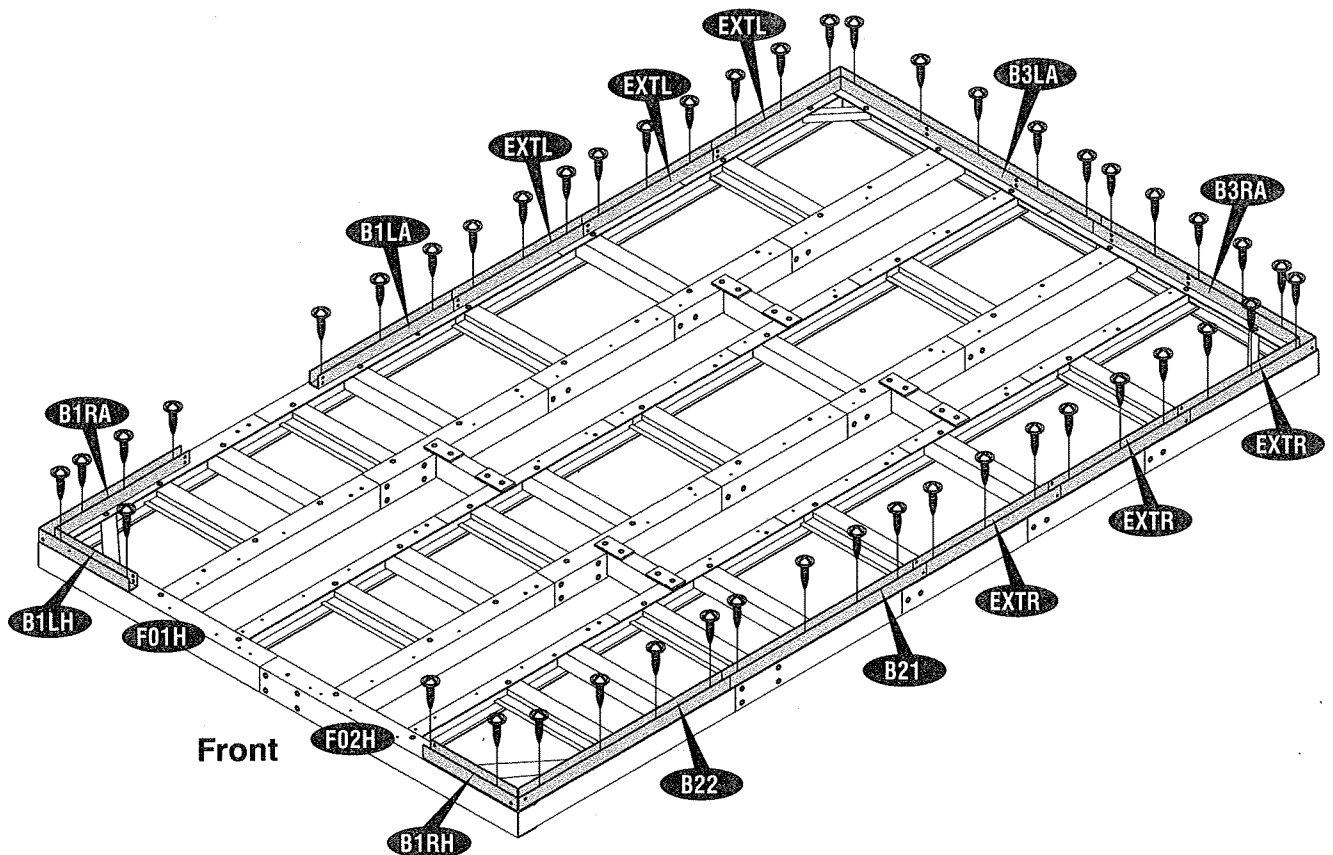
6. Fix the channel (F06A) into the frame with (S1) screws as shown. See fig.



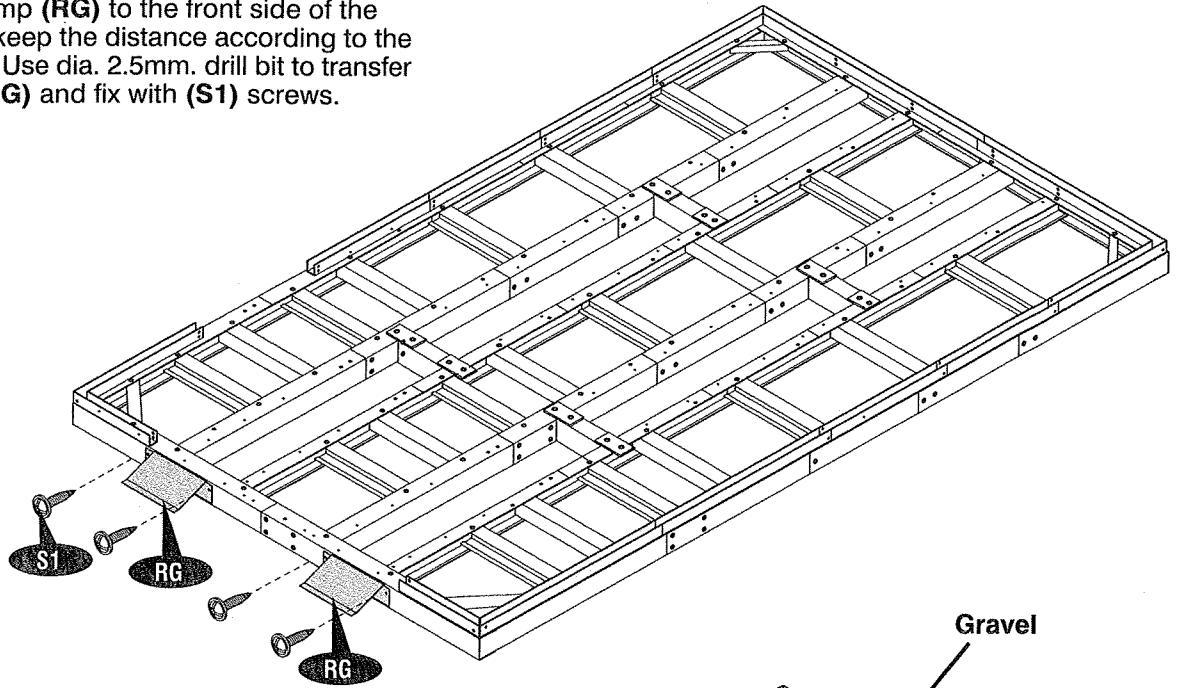
7. Place the channel (F03H) into the frame equally spaced as shown. Use (F08) plate to connect the 'U' channel and the frame with (S1) screws.



8. Assemble the Base U-Channel on top of the foundation with (S1) screws as shown in fig.



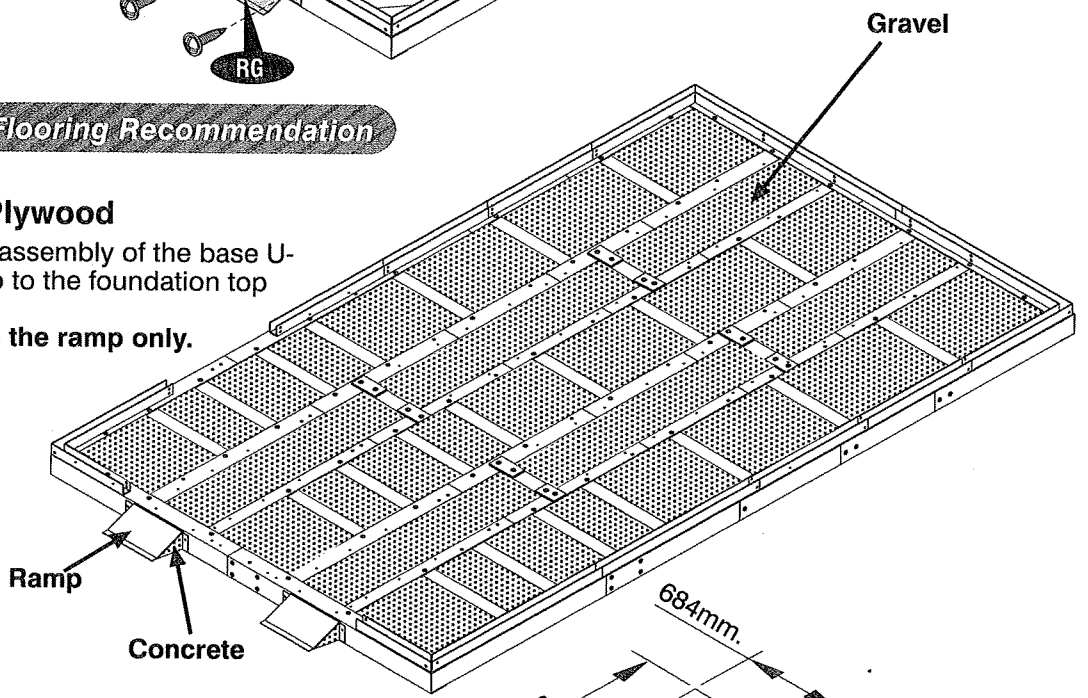
9. Place the ramp (RG) to the front side of the foundation and keep the distance according to the wheel distance. Use dia. 2.5mm. drill bit to transfer the hole from (RG) and fix with (S1) screws.



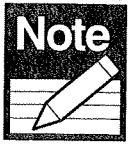
Filler Material and Flooring Recommendation

**OPTION - 1.
Gravel Floor with Plywood**

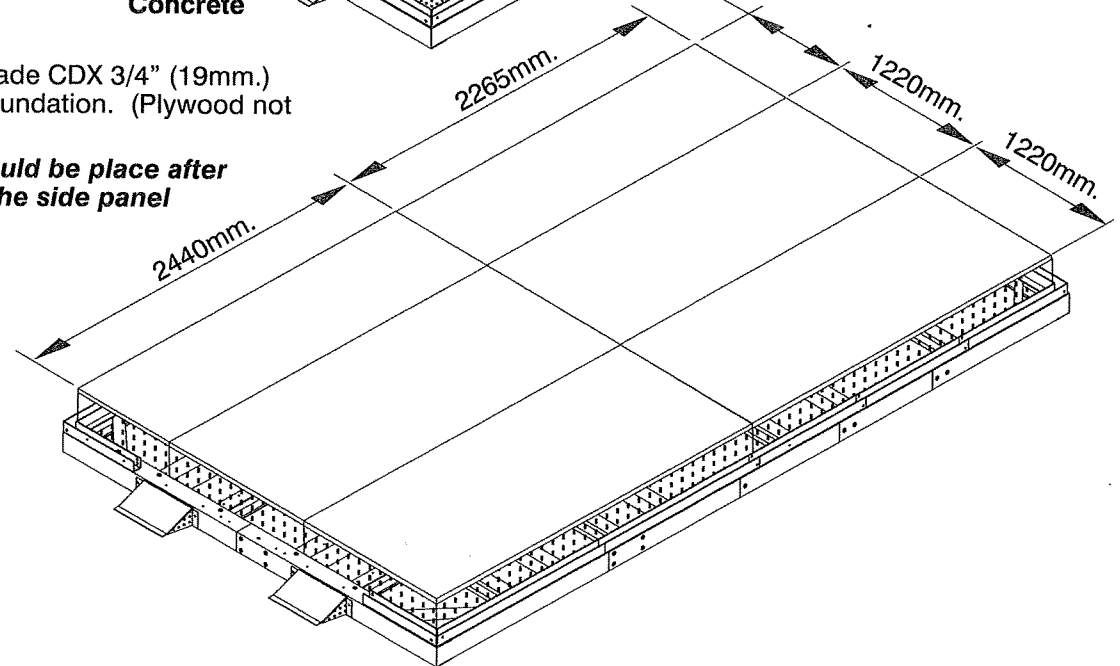
a. After completing the assembly of the base U-channel fill the gravel up to the foundation top surface only.
Fill the concrete inside the ramp only.



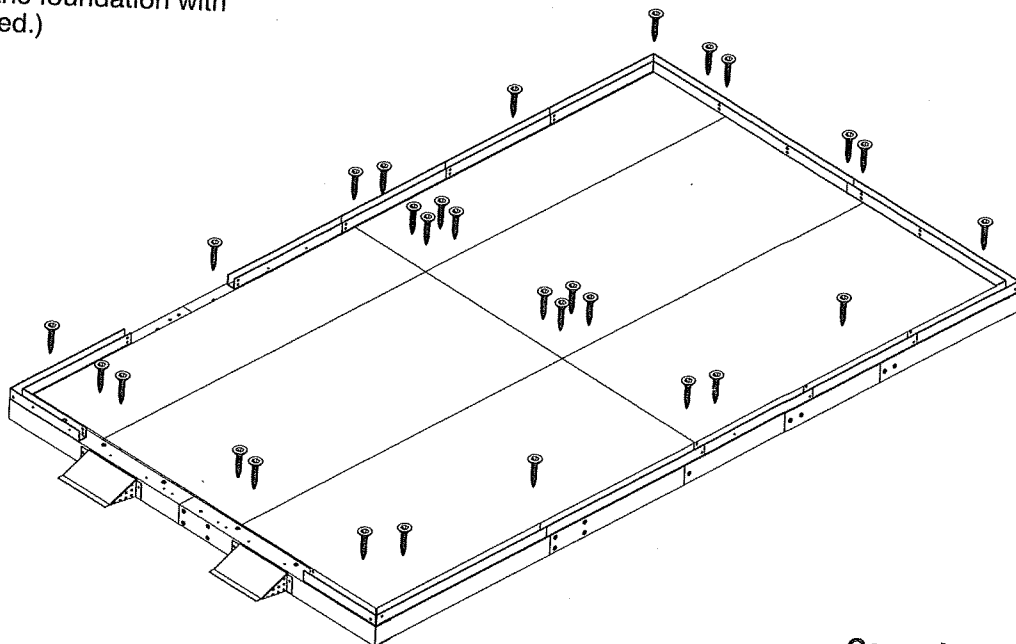
b. Place the exterior grade CDX 3/4" (19mm.) plywood on top of the foundation. (Plywood not included.)



Note Plywood should be place after completing the side panel assembly.



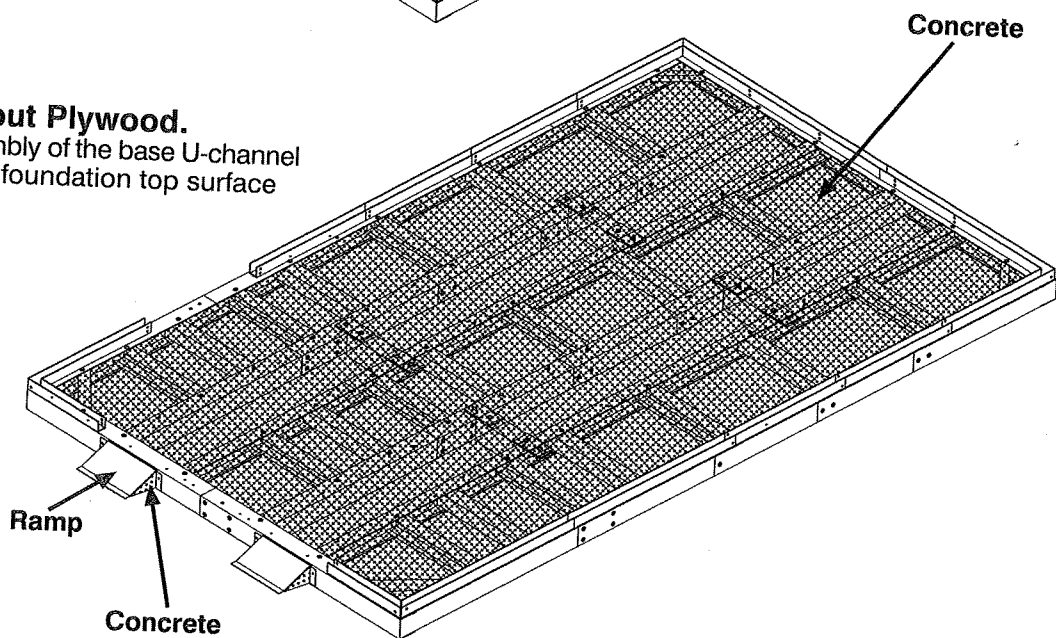
C. Secure the plywood to the foundation with screws. (Screws not included.)



OPTION - 2.

Cement Floor with out Plywood.

After completing the assembly of the base U-channel fill the concrete up to the foundation top surface only.



B. Walls & Columns



Parts Needed:

- | | | | |
|----------------------|---------|----------------------------|---------|
| (1) Door Column | (CDRA) | (5) CB3 Center Band | (CB3XA) |
| (1) Door Column | (CDLA) | (2) CB4 Center Band | (CB4H) |
| (1) Door Column | (CDRH) | (1) CB4 Center Band | (CB4A) |
| (1) Door Column | (CDLH) | (1) CB6 Center Band | (CB6H) |
| (8) Middle Column | (CMA) | (3) Middle Joining Support | (MJ) |
| (3) Middle Column | (CMH) | (2) Ramp | (RG) |
| (4) Corner Column | (CCA) | (4) Center Band Fitting | (FCB) |
| (15) Side Panel | (SP†) | (3) Center Band Cover | (CBC) |
| (2) Front Side Panel | (FSPH†) | (7) End Plug Square | (EPS) |
| (2) CB1 Center Band | (CB1H) | Screws | (S1) |
| (1) CB1 Center Band | (CB1A) | Screws | (S2) |
| (1) CB3 Center Band | (CB3A) | Machine Screws | (S3) |

1. Slide the door column (**CDRA**) into the base U-channel (**B1RH**) on the right side of the door. Line up the pre drilled holes on column (**CDRA**) with base 'U' channel. Secure with two (**S1**) screws from inside. See fig.

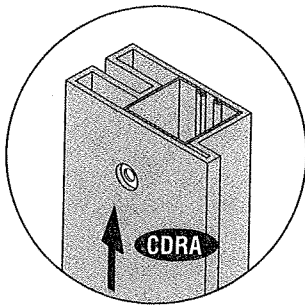


Fig.1

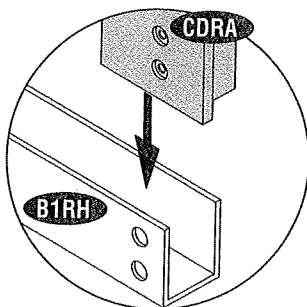


Fig.2

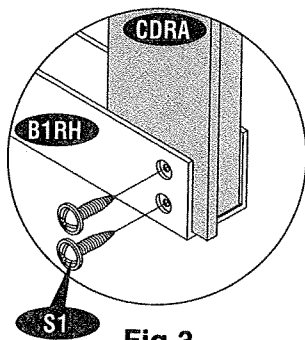
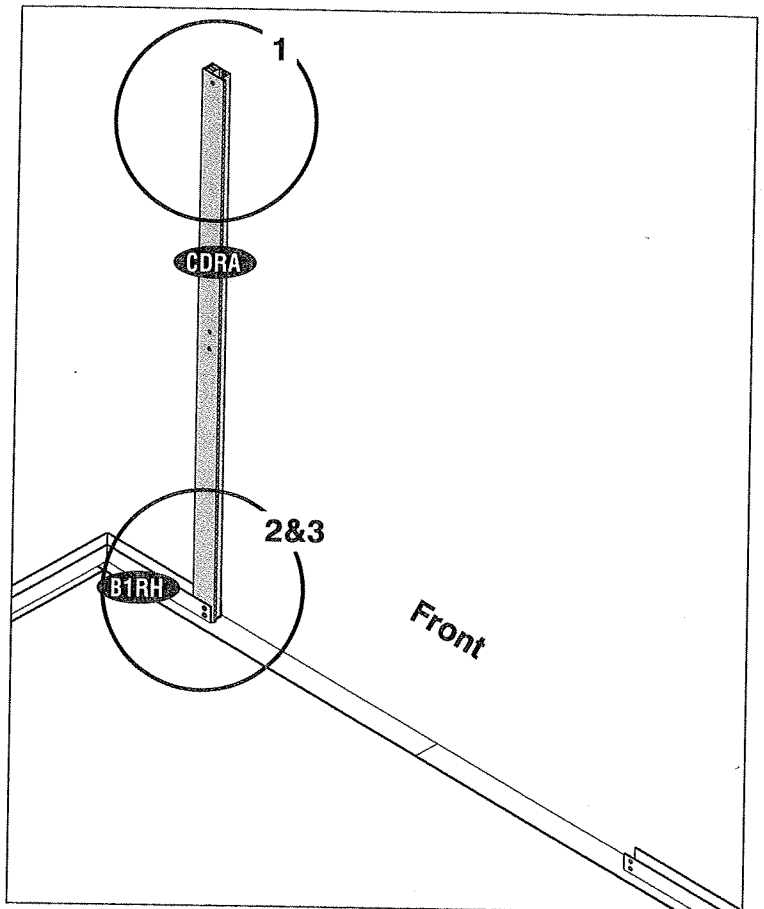
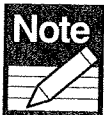


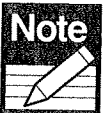
Fig.3



2. Insert the front side panel (**FSPH**) into the groove of column (**CDRA**). Start at the bottom of the panel at an angle then push into place.



Note Always place panels into frame at an angle on top and slide in sideways and downward for easy insertion.



Note Make sure panels are right side up with panel shingles facing down. Check the stamped label on top of all panels.

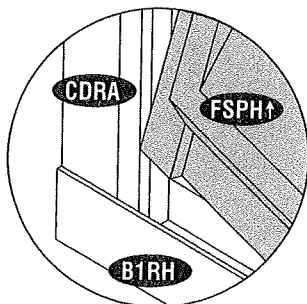
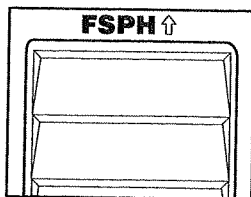
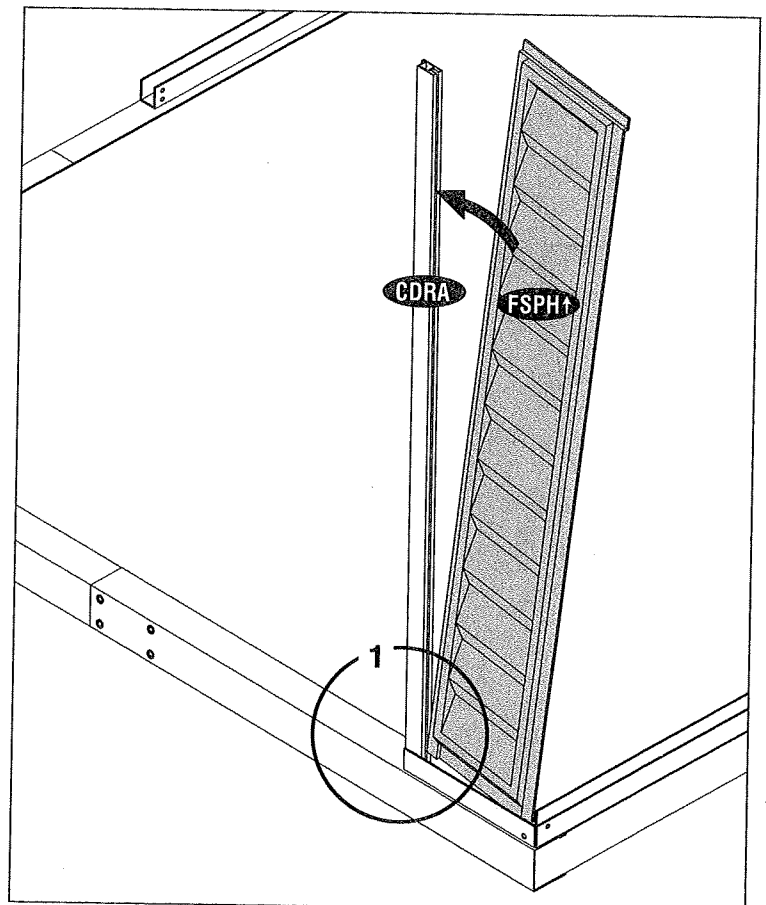


Fig.1



3. Slide the corner column (CCA) into side panel (FSPH) pushing the column to the side panel.

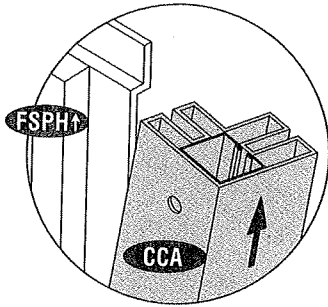


Fig.1

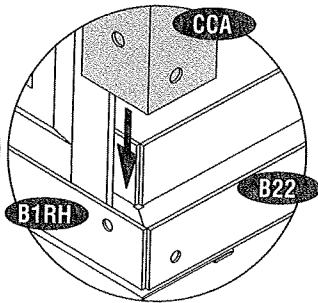


Fig.2

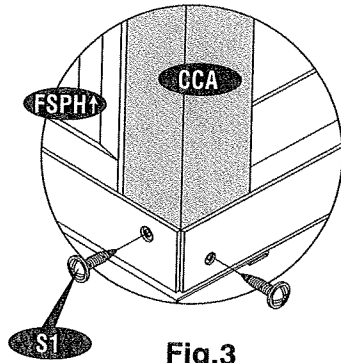
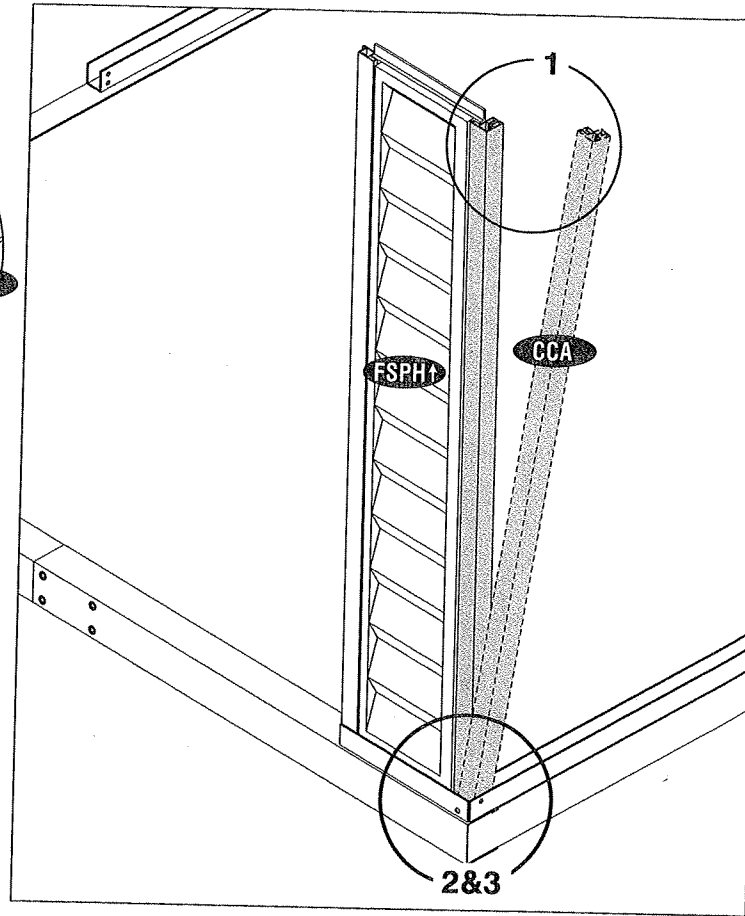
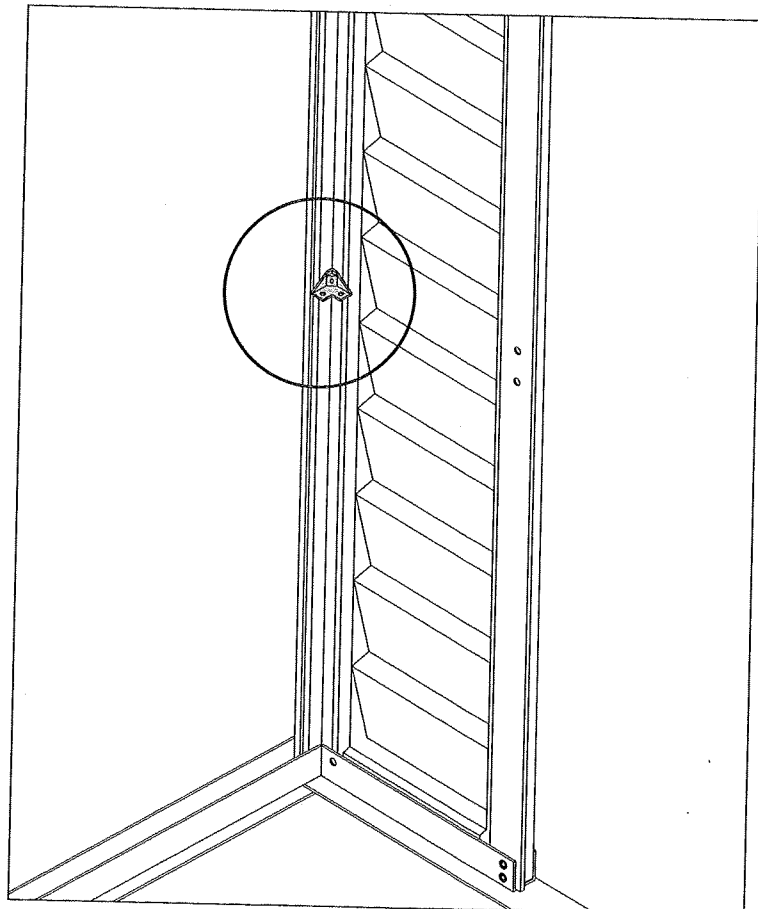
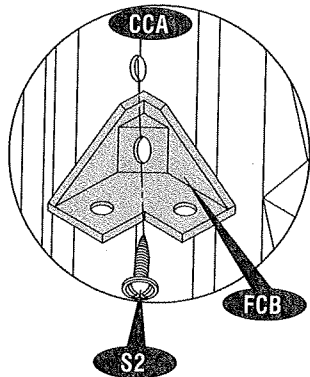


Fig.3



4. Fix the center band fitting (FCB) to the column (CCA) with (S2) screw. Leave it loose.



5. Fix the center band (**CB1H**) to the center band fitting (**FCB**) with (**S1**) screws. See fig.1. Fix the other end to the door column (**CDRA**). See fig.2.

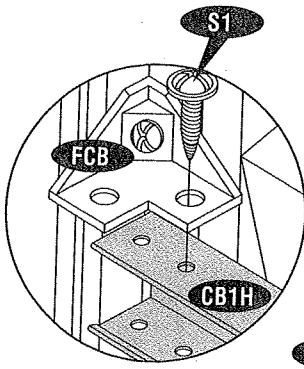


Fig.1

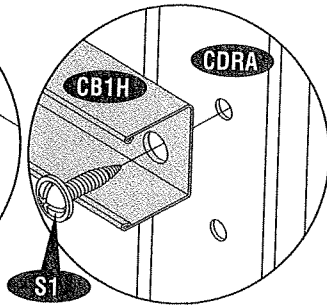
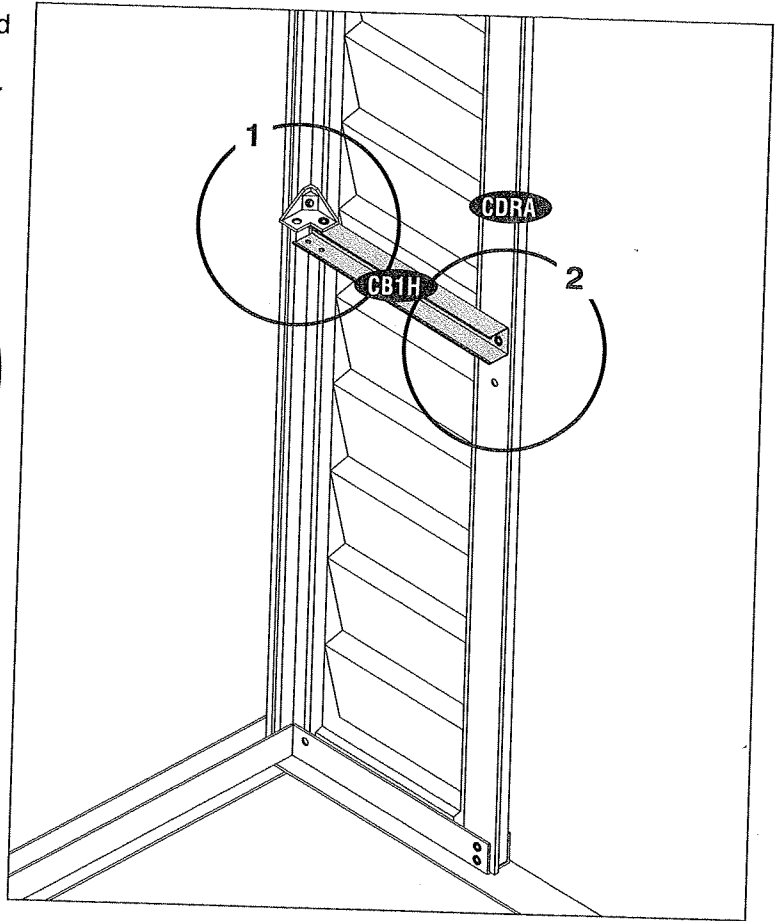


Fig.2



6. Fix the center band (**CB4H**) to the base 'U' channel (**B1RH**) and door column (**CDRA**) with (**S1**) screws. See fig.1&2. Fix the (**EPS**) at the end of (**CB1H**) & (**CB4H**). See fig.3.

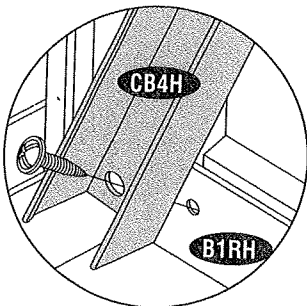


Fig.1

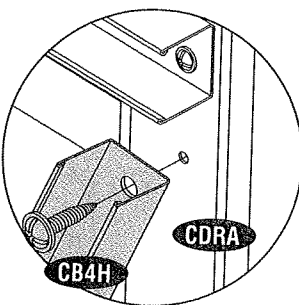


Fig.2

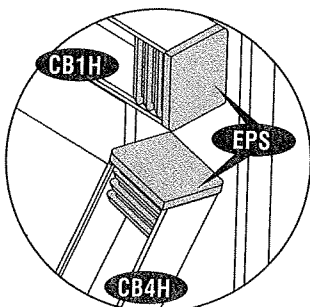
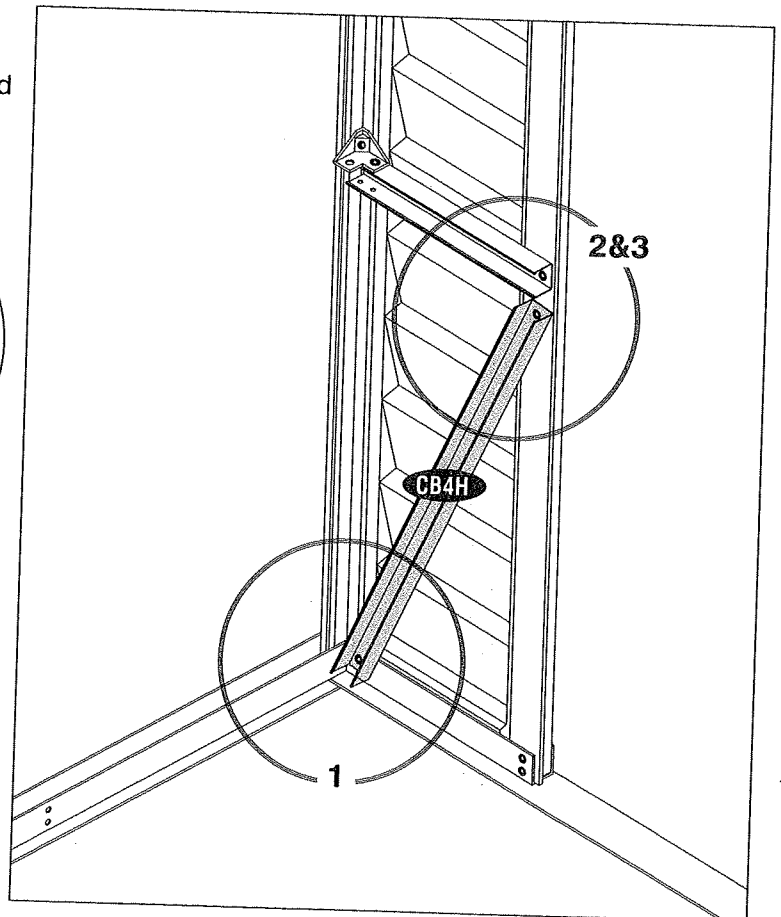
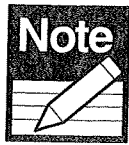


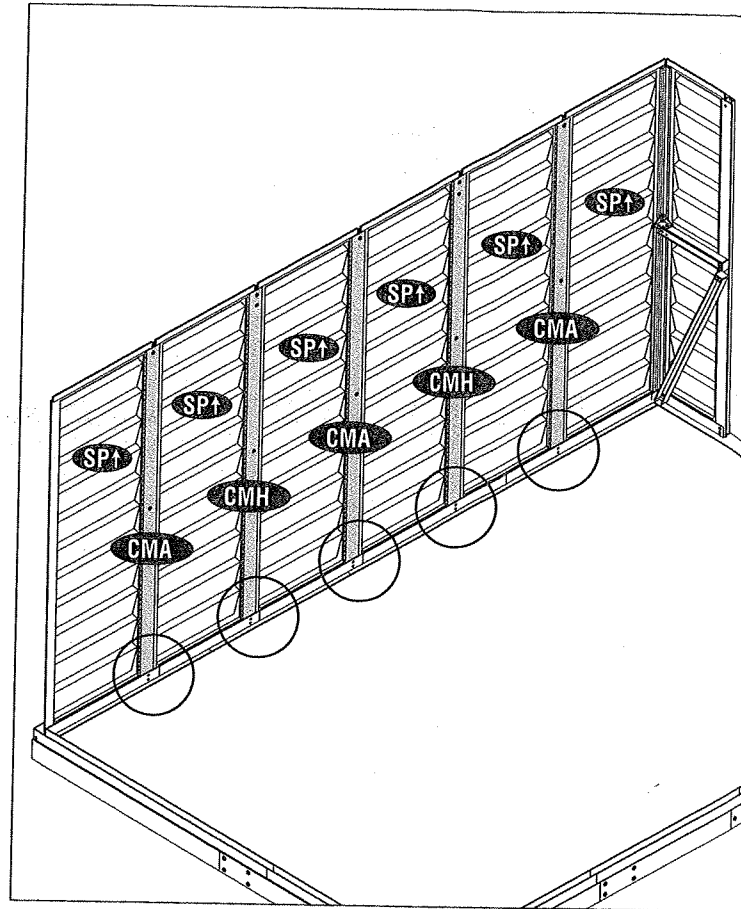
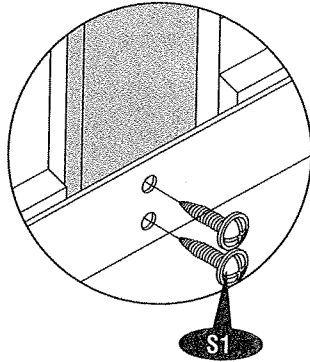
Fig.3



7. Working from inside continue connecting the 6 side panels (SP↑) and columns to the base 'U' channel. Use (S1) screws to fix column to base.



Note Window can be fixed any place except front panel.



8. Slide the corner column (CCA) into side panel (SP↑) pushing the column to the side panel. Working from outside use (S1) screws to secure column to base (EXTR) & (B3RA).

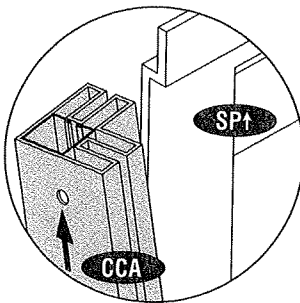


Fig.1

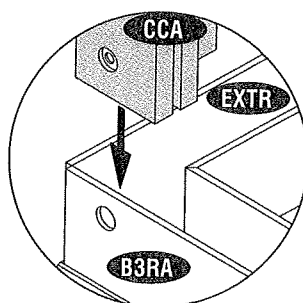


Fig.2

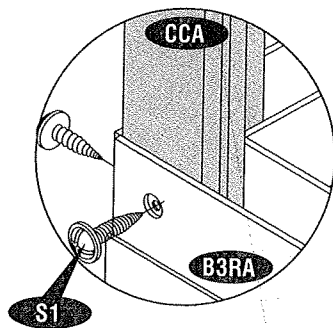
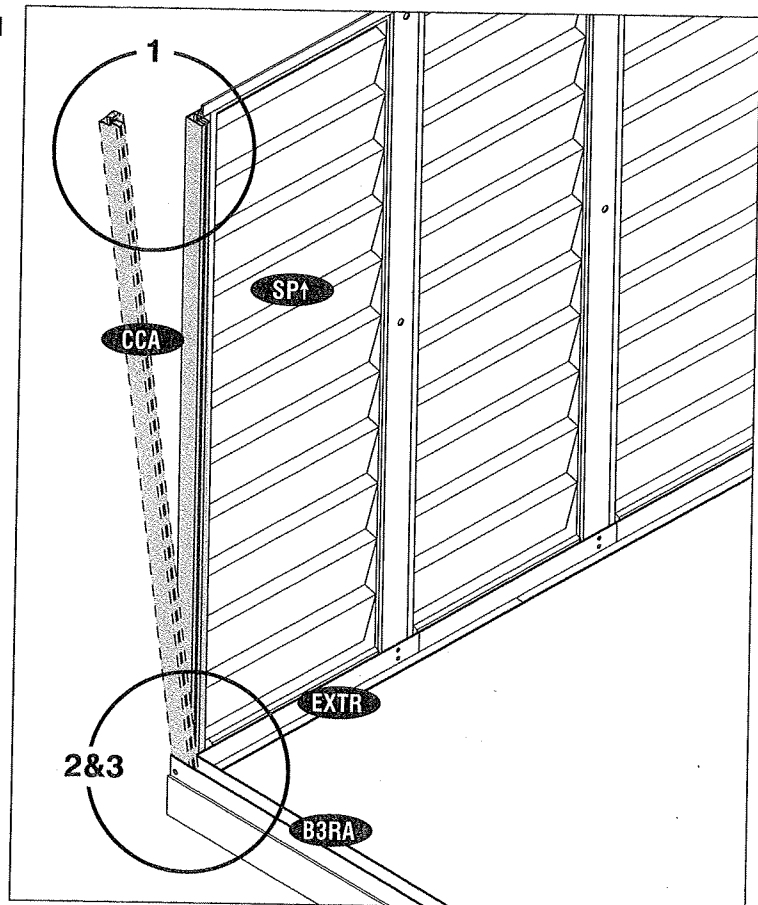
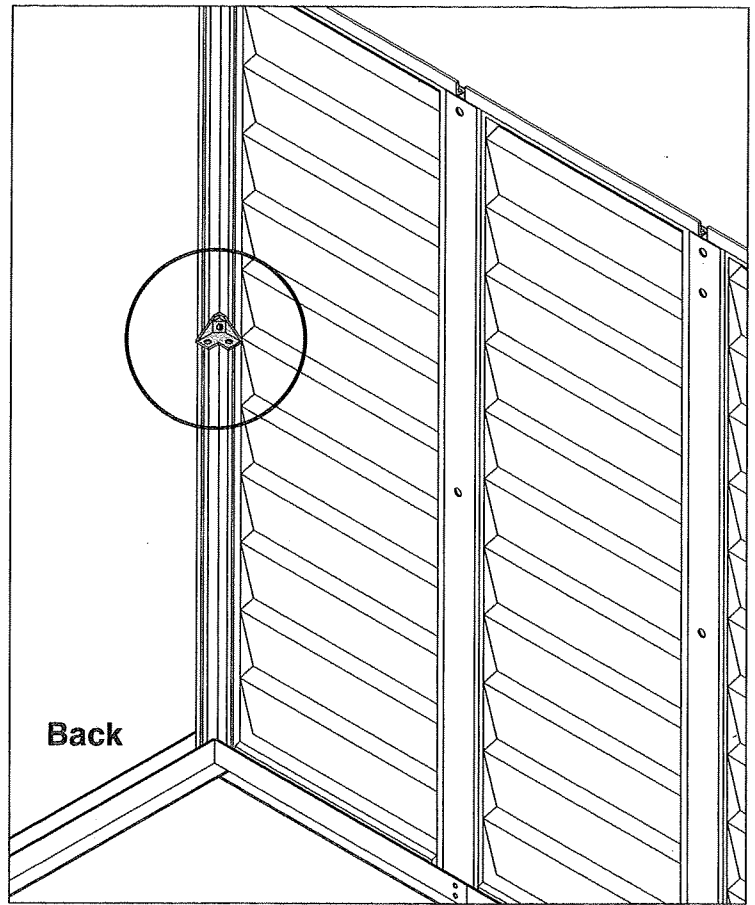
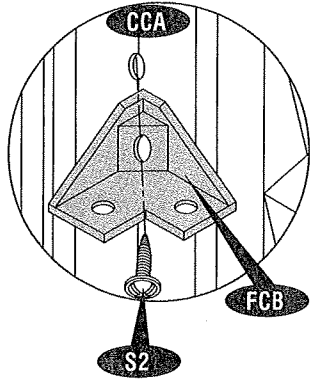


Fig.3



9. Fix the center band fitting (FCB) to the column (CCA) with (S2) screw. Leave it loose.



10. Assemble the center bands (CB3XA) with middle joining support (MJ) with (S1) Screws. See fig.1. Assemble (CB3XA) & (CB3A) together with (S1) screws. See fig.2.

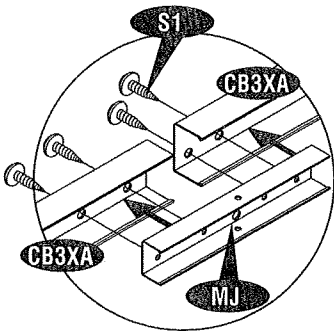


Fig.1

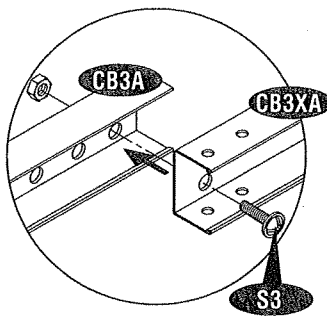
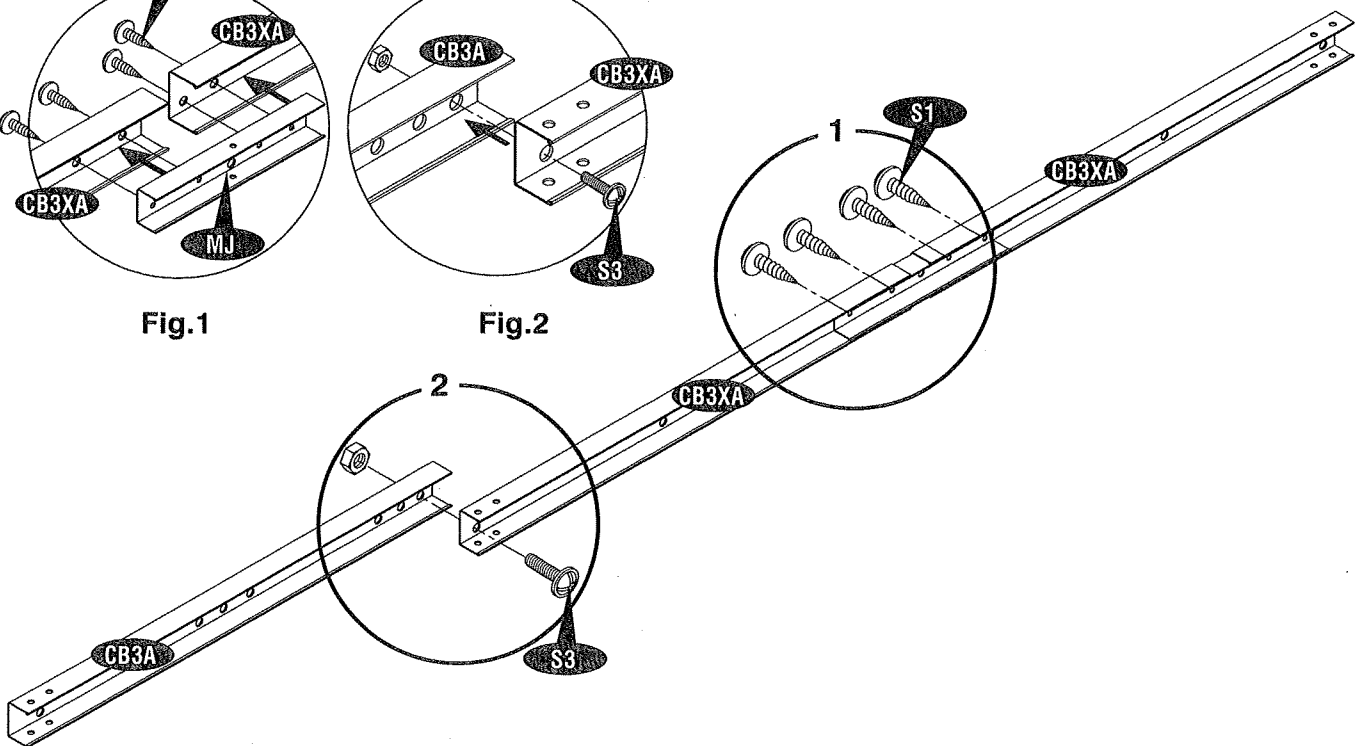


Fig.2



11. Stabilize the side panels with center bands (CB3XA) & (CB3A) assembly. See fig.1 to 6 and follow the steps.

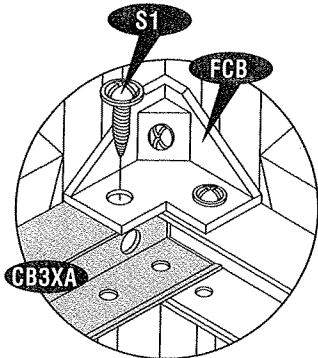


Fig.1

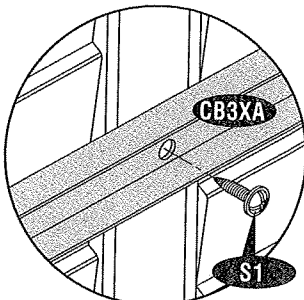


Fig.2

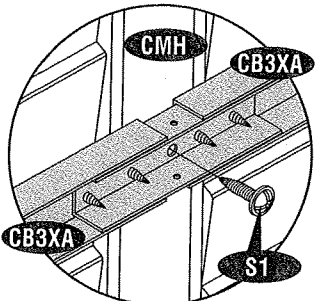


Fig.3

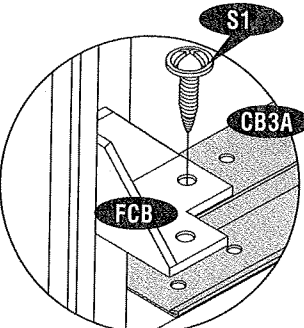


Fig.4

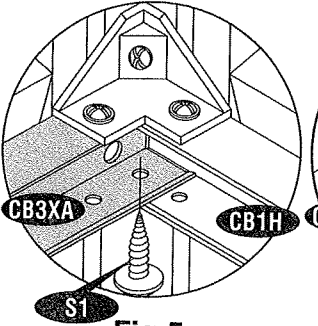


Fig.5

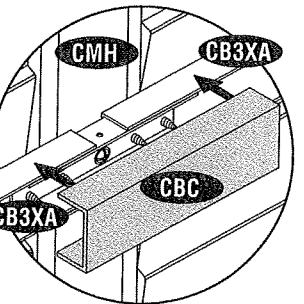
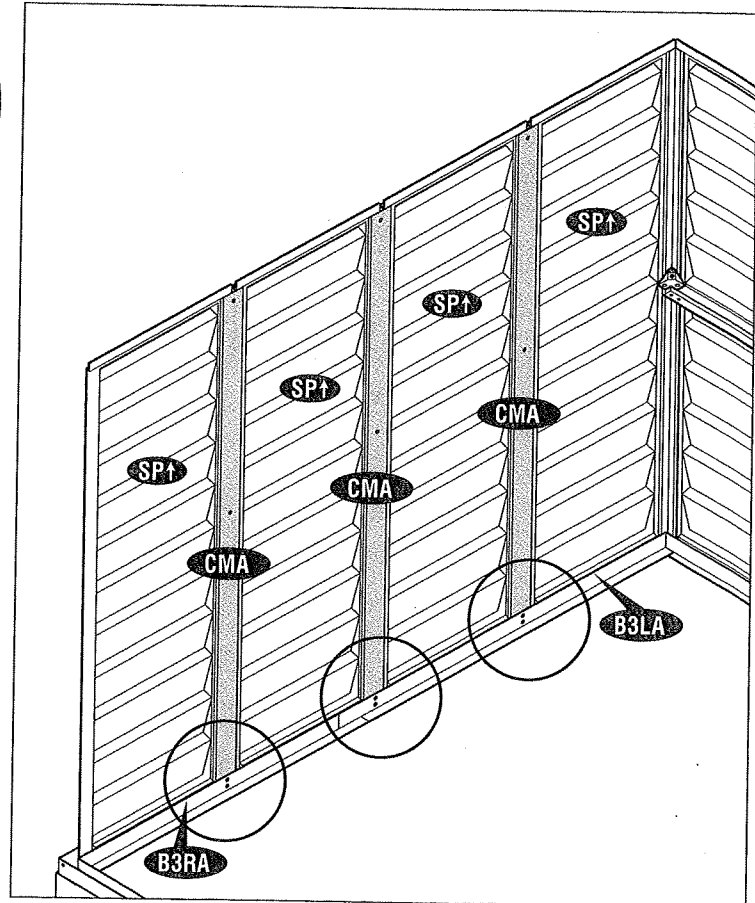
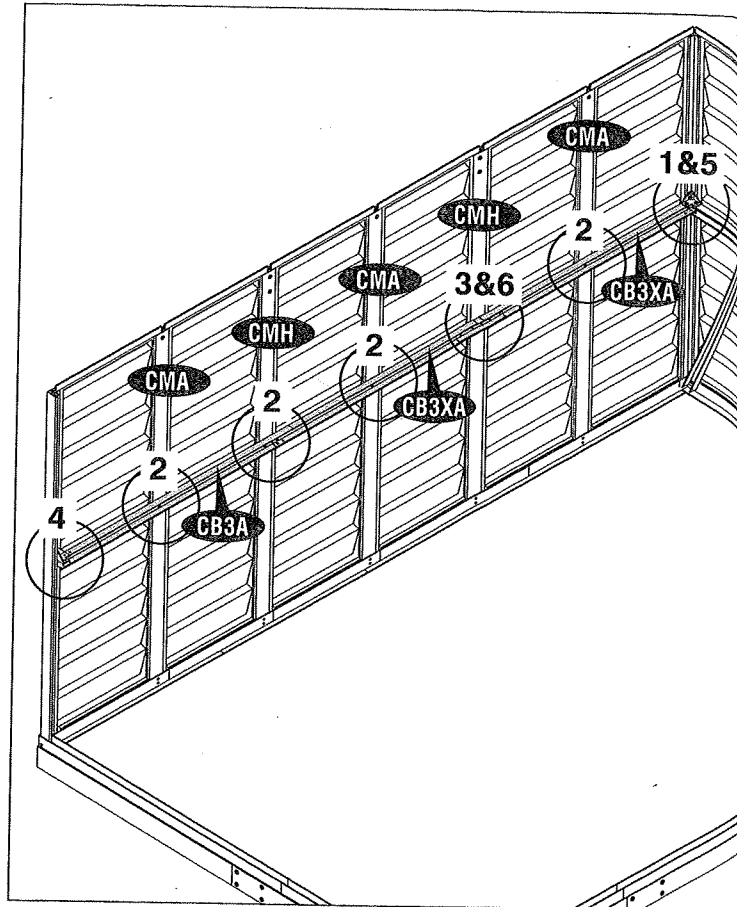
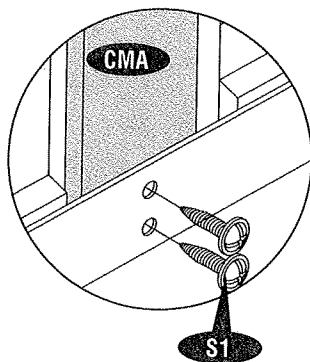


Fig.6

12. Working from inside continue connecting the 3 side panels (SP↑) and columns to the base 'U' channel. Use (S1) screws to fix column to base.



13. Slide the corner column (CCA) into side panel (SP↑) pushing the column to the side panel. Working from outside use (S1) screws to secure column to base (B3LA) & (EXTL).

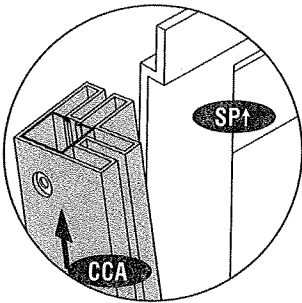


Fig.1

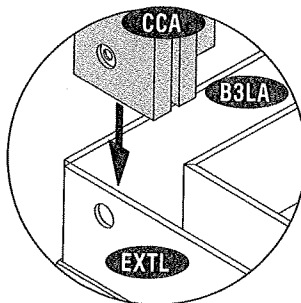


Fig.2

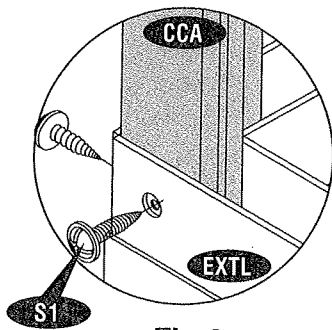
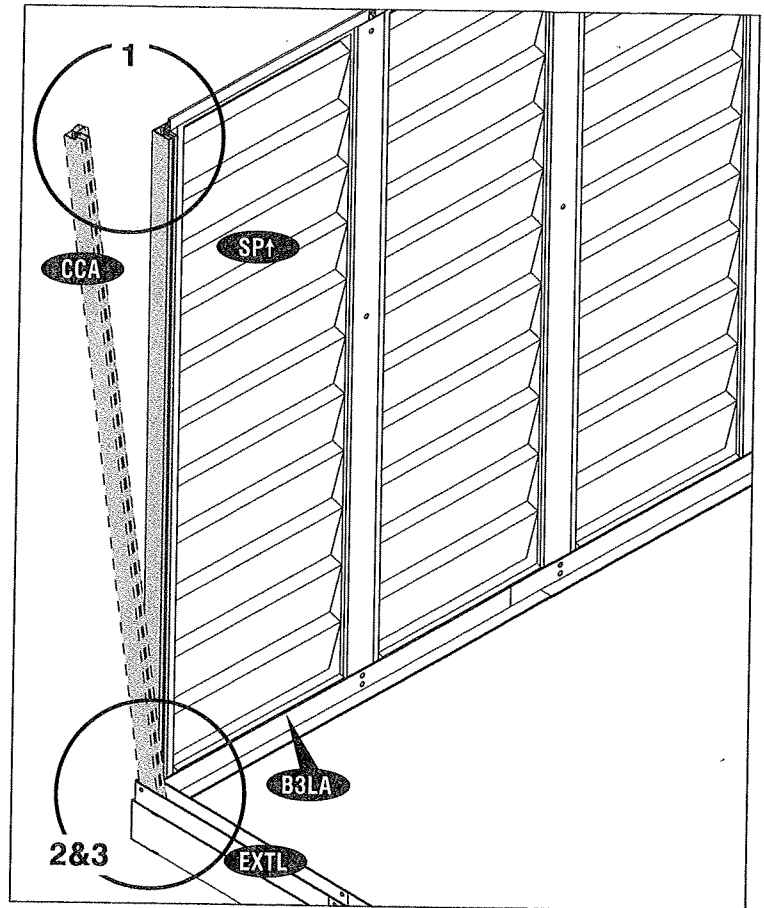
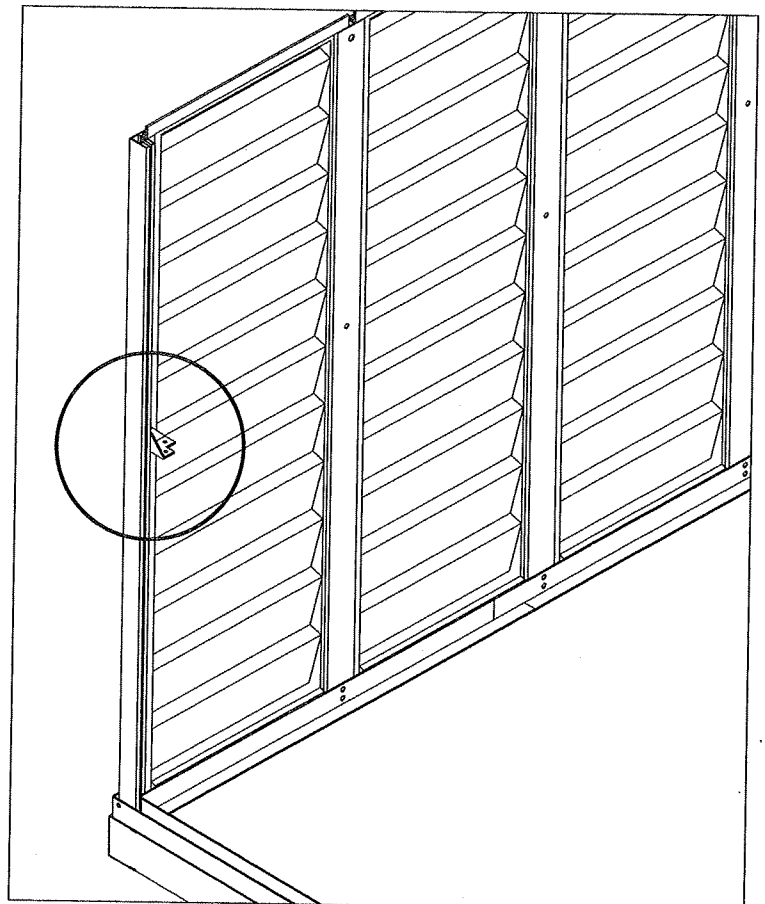
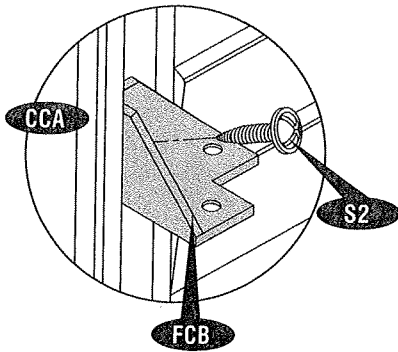


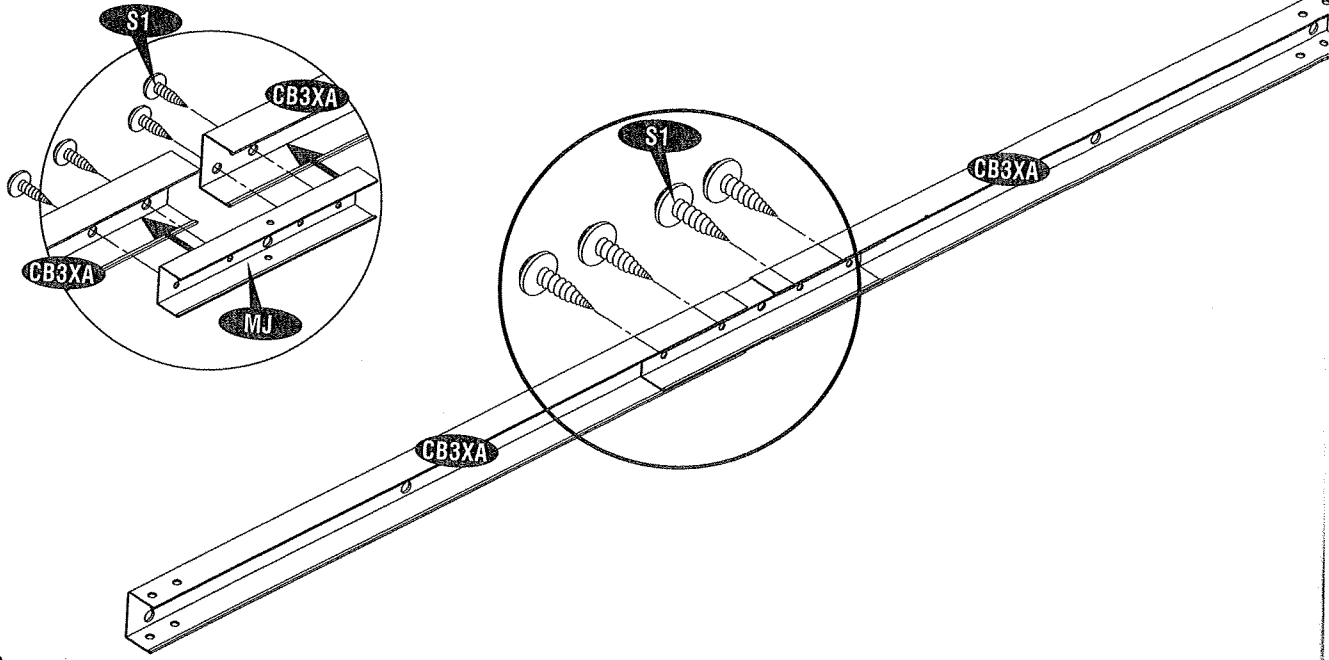
Fig.3



14. Fix the center band fitting (FCB) to the column (CCA) with (S2) screw. Leave it loose.



15. Assemble the center bands (CB3XA) with middle joining support (MJ) with (S1) screws. See fig.



16. Stabilize the side panels with center bands (CB3XA) assembly. See fig.1 to 6 and follow the steps.

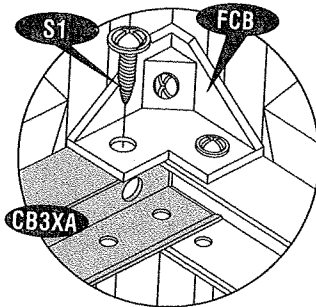


Fig.1

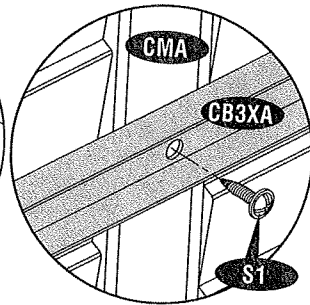


Fig.2

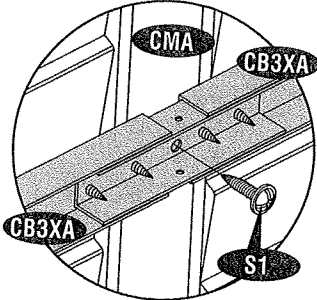


Fig.3

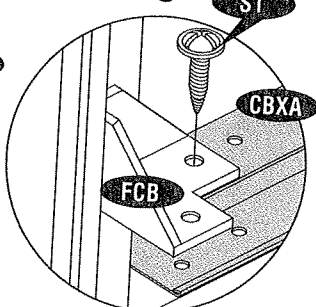


Fig.4

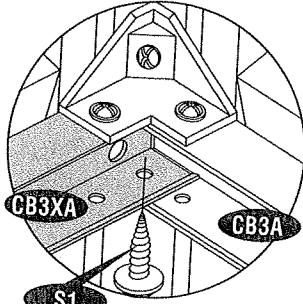


Fig.5

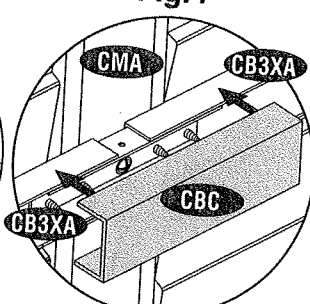
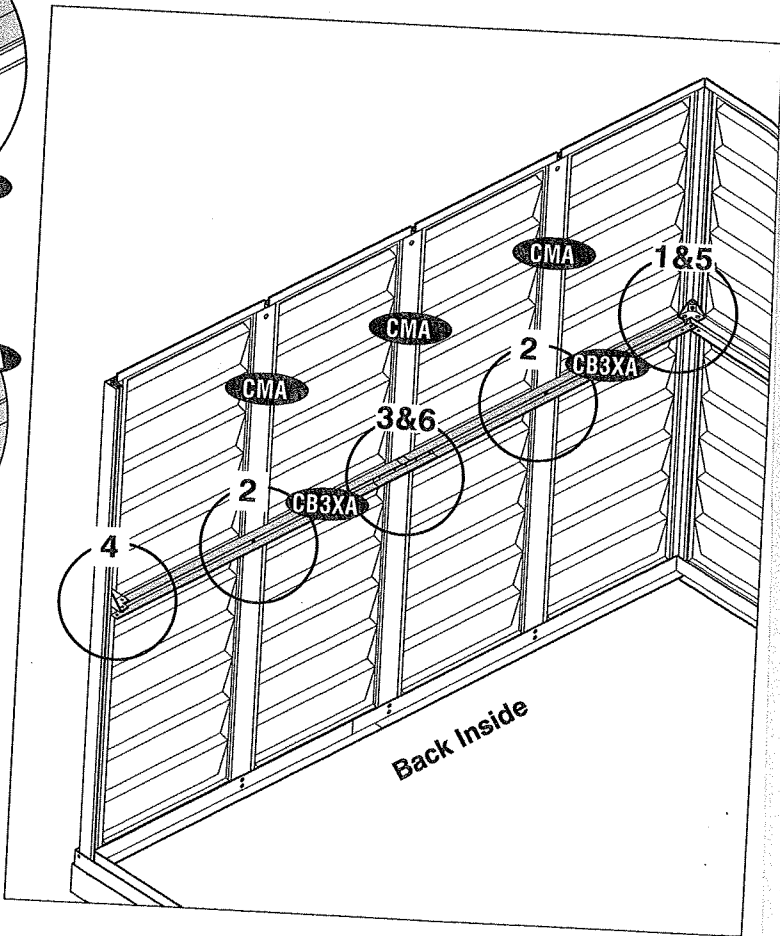
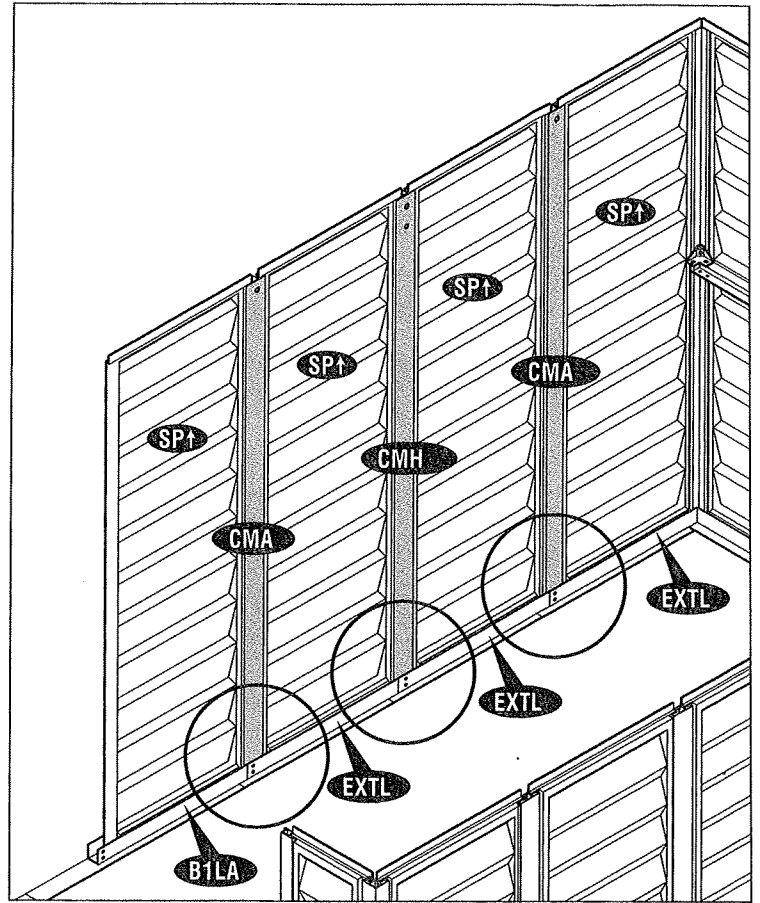
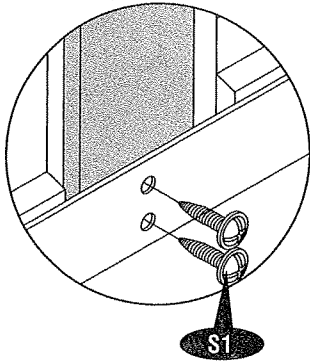


Fig.6



17. Working from inside continue connecting the side panels (SP1) and columns to the base 'U' channel. Use (S1) screws to fix column to base.



18. Slide the door column (CDLH) into the base 'U' Channel & side panel. Line up the pre drilled holes on (CDLH) & base 'U' channel (B1LA) & fix with (S1) screws from inside.

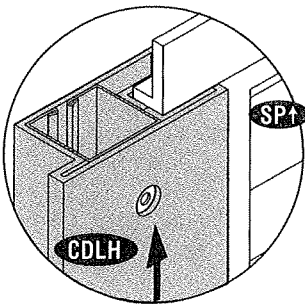


Fig.1

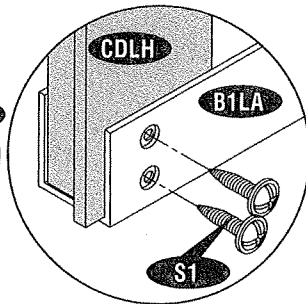
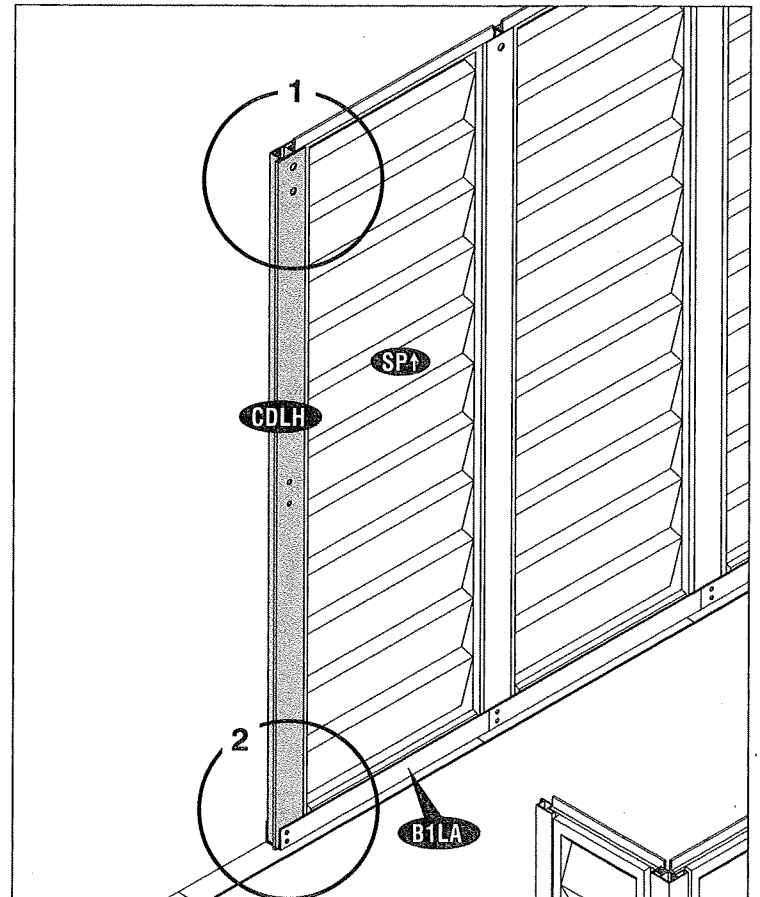
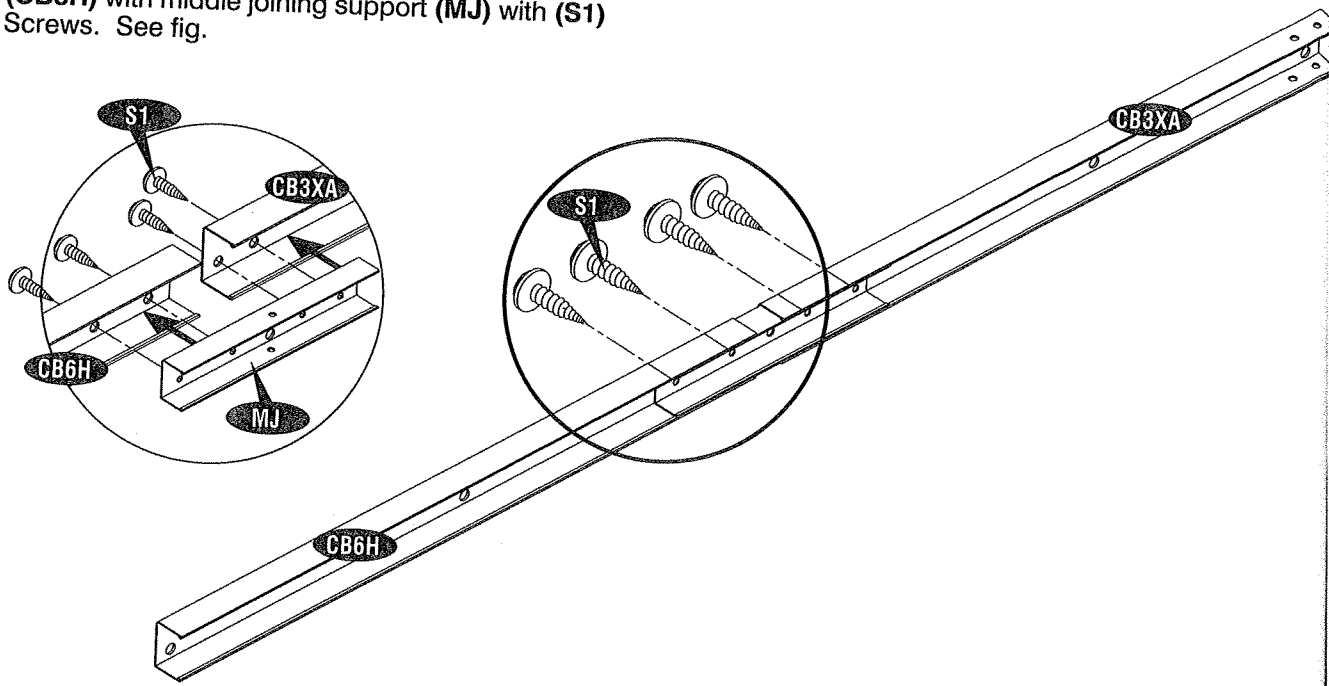


Fig.2



19. Assemble the center bands (**CB3XA**) & (**CB6H**) with middle joining support (**MJ**) with (**S1**) Screws. See fig.



20. Stabilize the side panels with center bands (**CB3XA**) & (**CB6H**) assembly. See fig.1 to 5 and follow the steps.

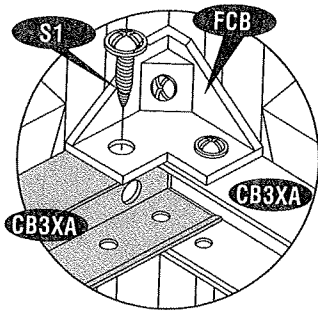


Fig.1

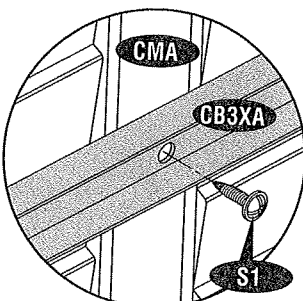


Fig.2

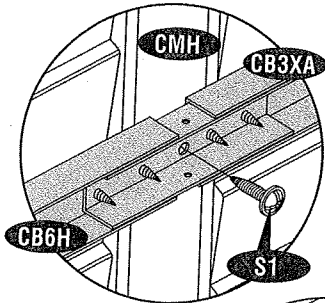


Fig.3

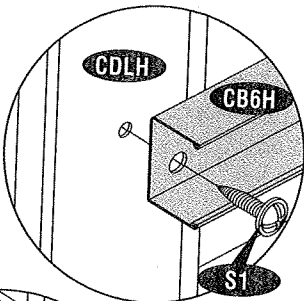


Fig.4

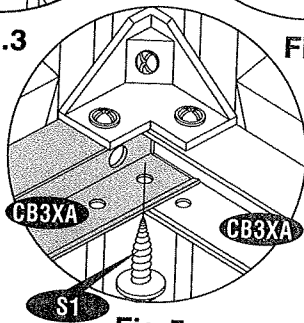
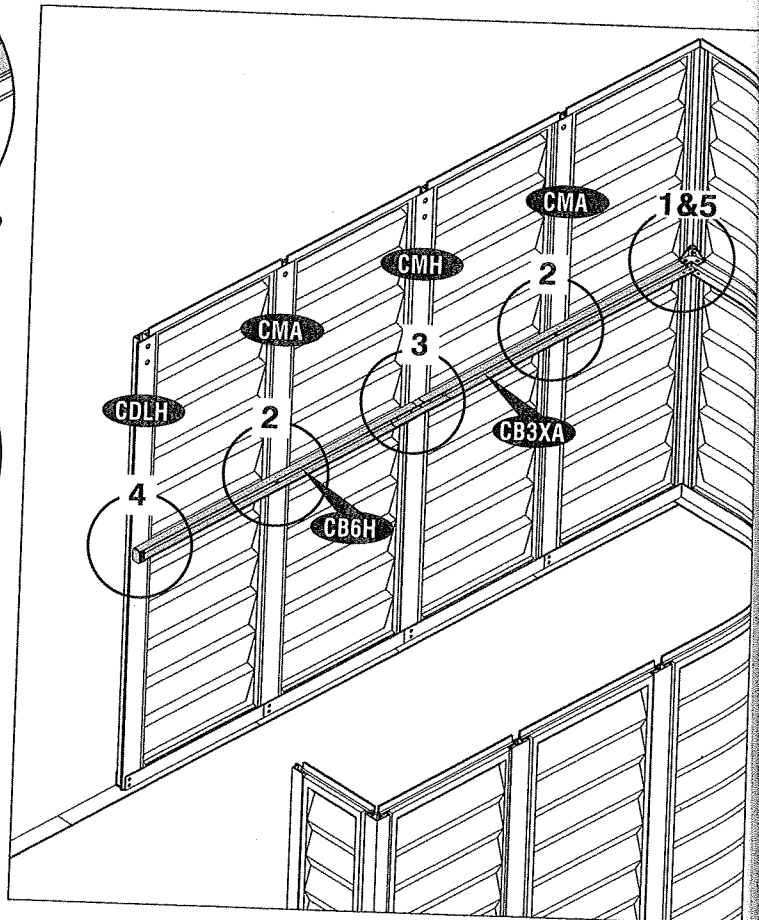


Fig.5



21. Fix the (EPS) at the end of center band (CB6H). See fig.1. Fix the (CBC) to the center band joint position to avoid injury. See fig.2.

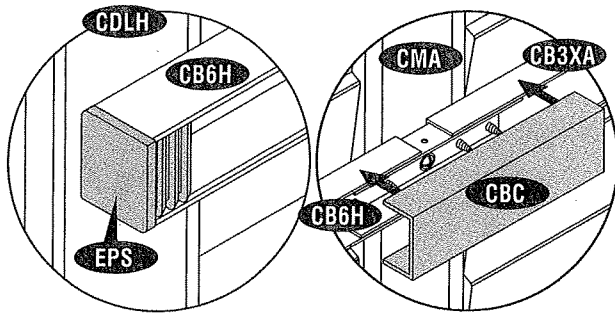
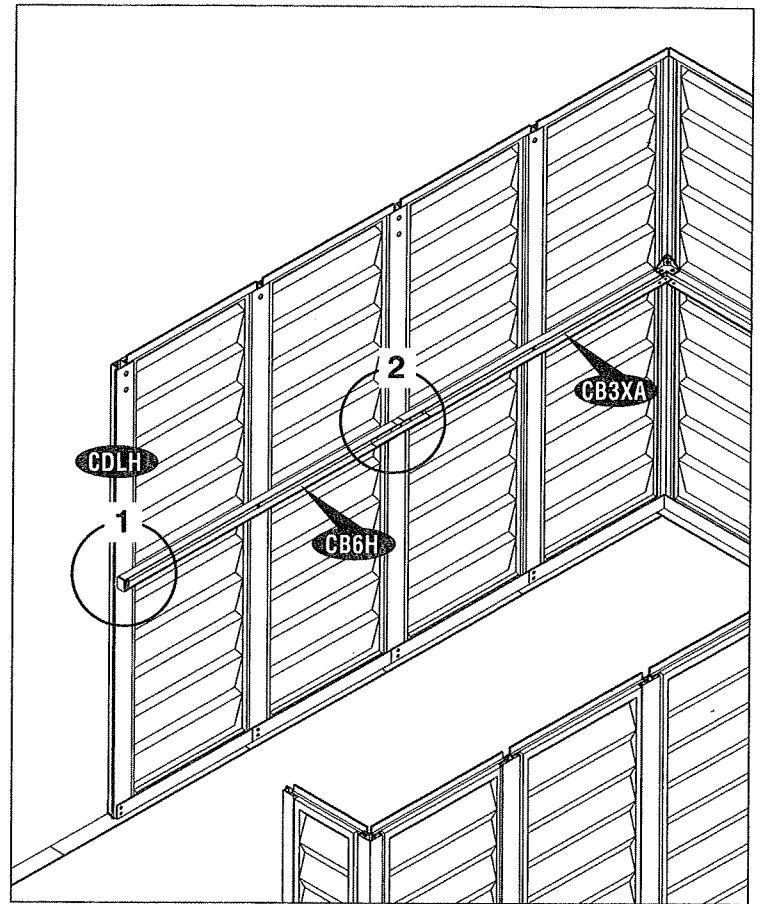


Fig.1

Fig.2



22. Slide the door column (CDRH) into the base 'U' Channel. Line up the pre drilled holes on (CDRH) & base 'U' channel (B1RA) & fix with (S1) screws from inside.

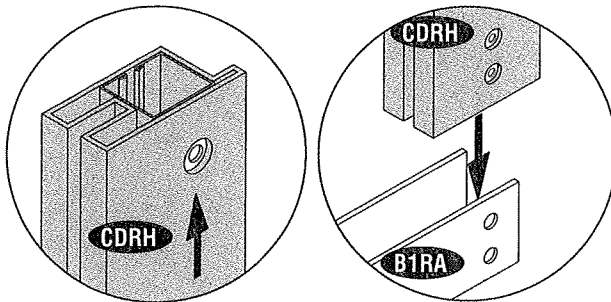


Fig.1

Fig.2

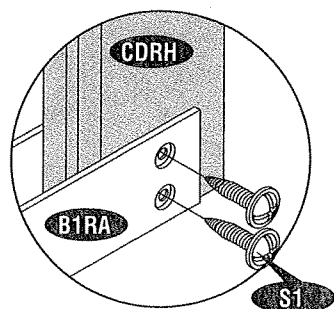
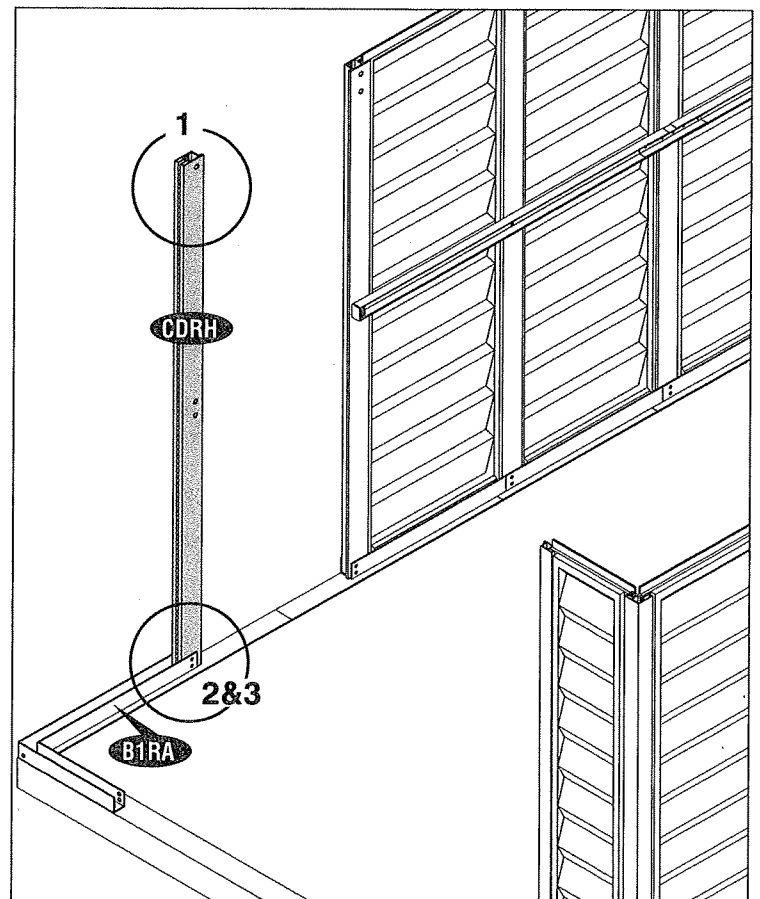
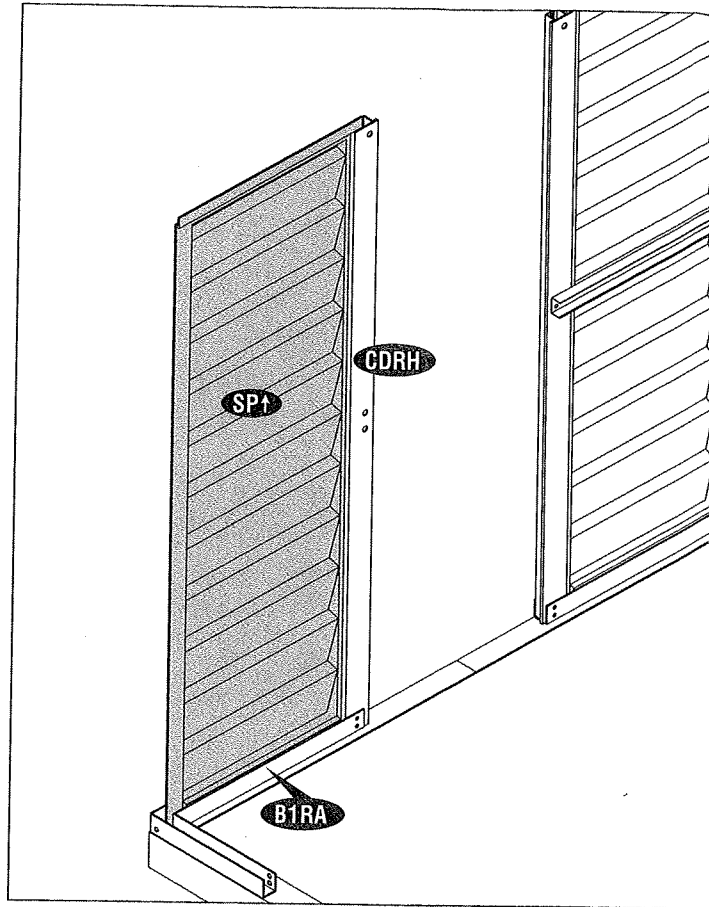


Fig.3



23. Insert the side panel (SP†) into the groove of column (CDRH) & base 'U' channel (B1RA).



24. Slide the corner column (CCA) into side panel (SP†) pushing the column to the side panel. Working from outside use (S1) screws to secure column to base (B1RA) & (B1LH).

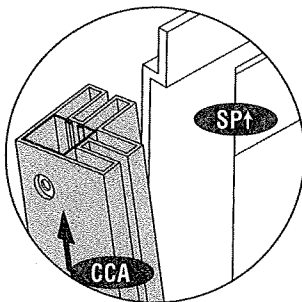


Fig.1

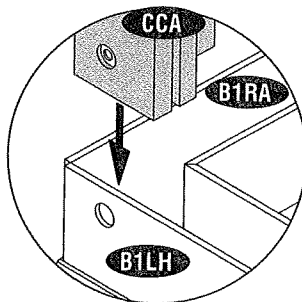


Fig.2

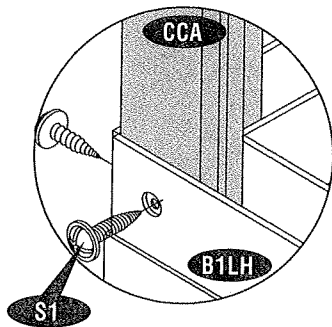
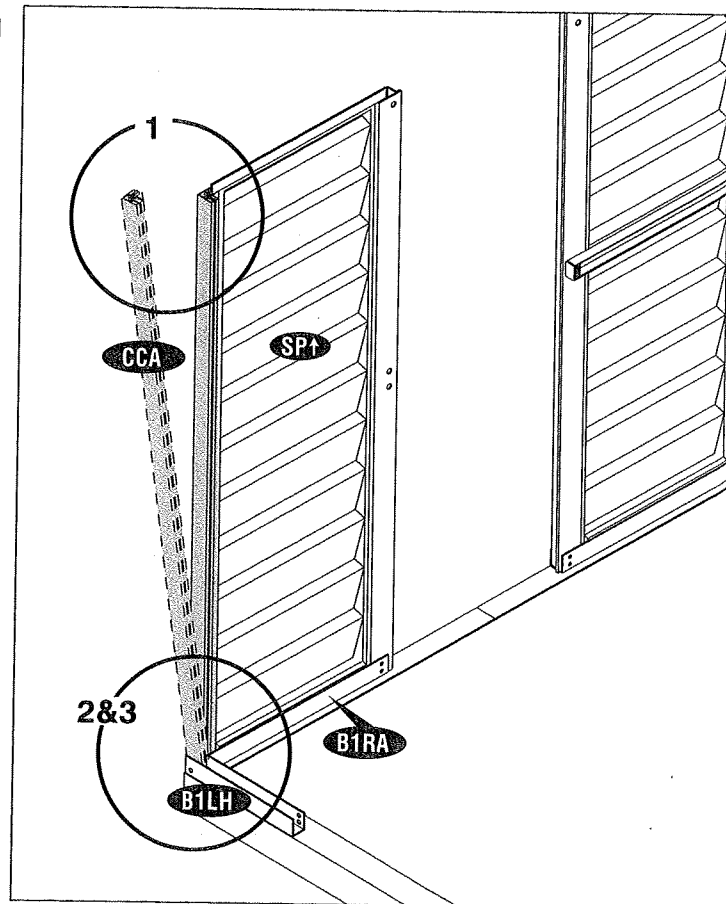
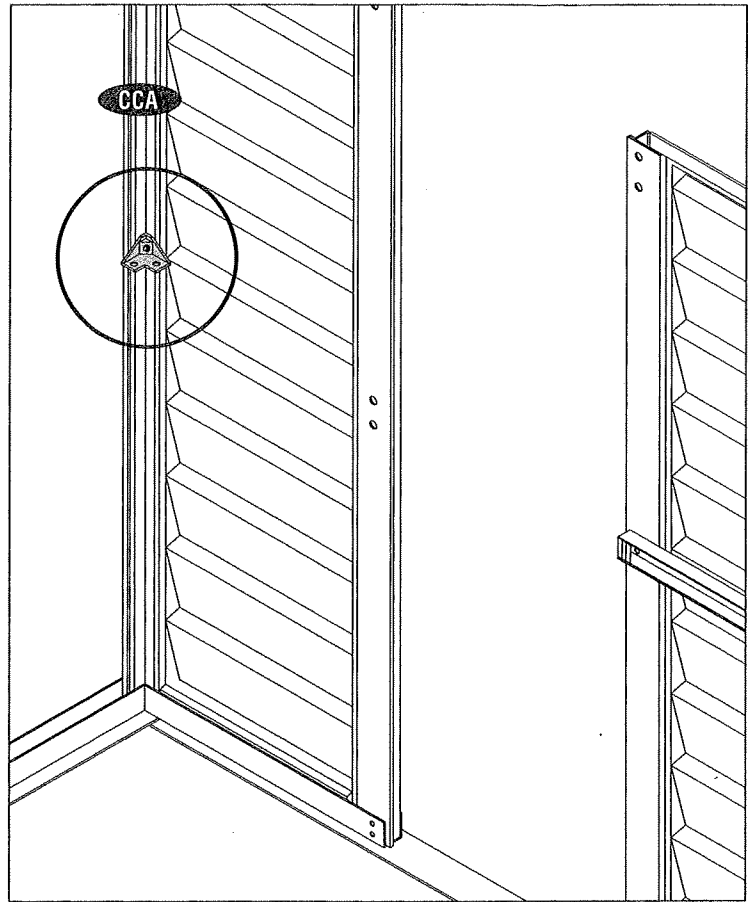
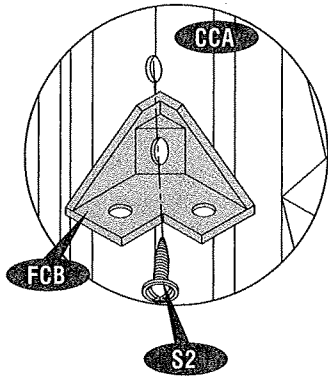


Fig.3



25. Fix the center band fitting (FCB) to the column (CCA) with (S2) screw. Leave it loose.



26. Fix the center band (CB1A) to the center band fitting (FCB) with (S1) screws. See fig.1. Fix the other end to the door column (CDRH). See fig.2.

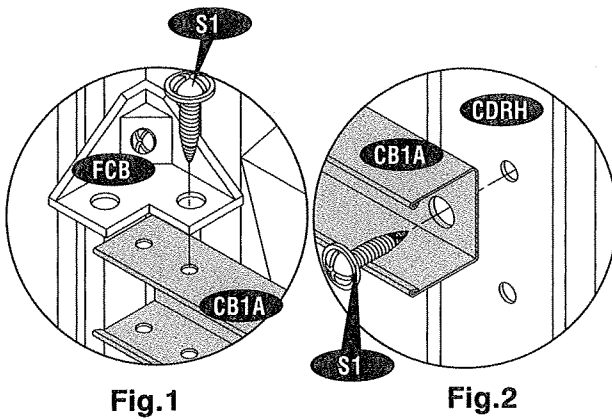
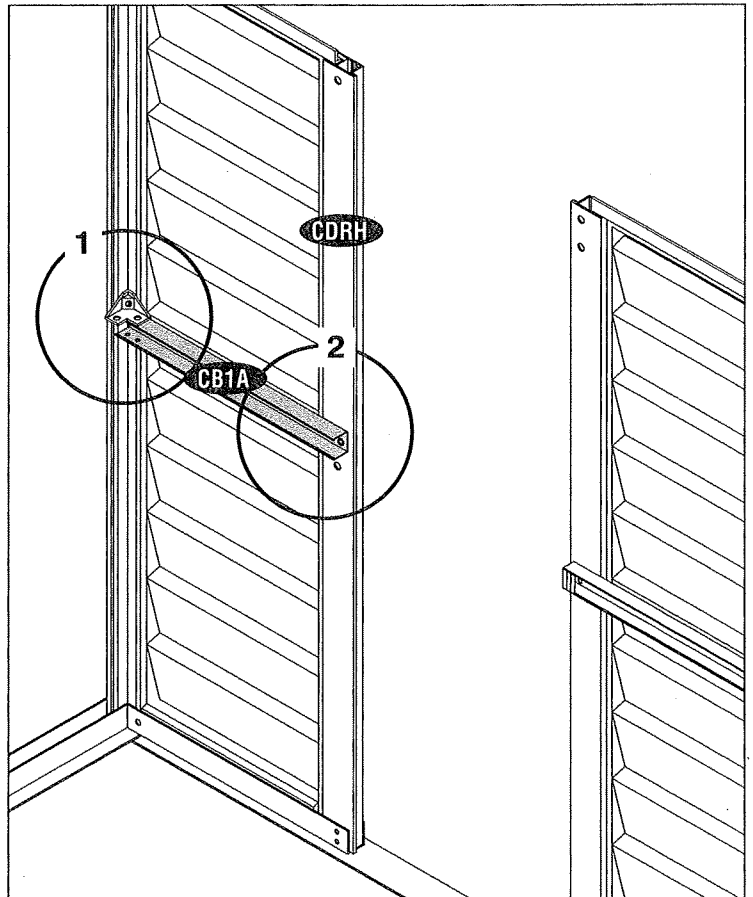


Fig.1

Fig.2



27. Fix the center band (CB4A) to the base 'U' channel (B1RA) and door column (CDRH) with (S1) screws. See fig.1&2. Fix the (EPS) at the end of (CB1A) & (CB4A). See fig.3.

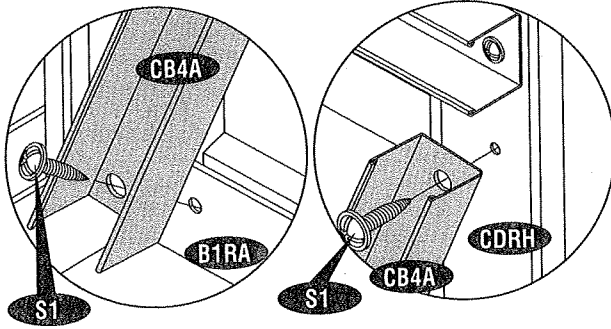


Fig.1

Fig.2

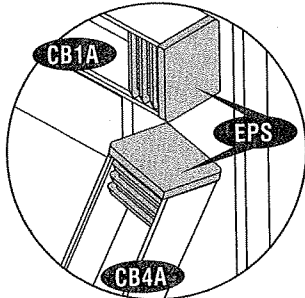
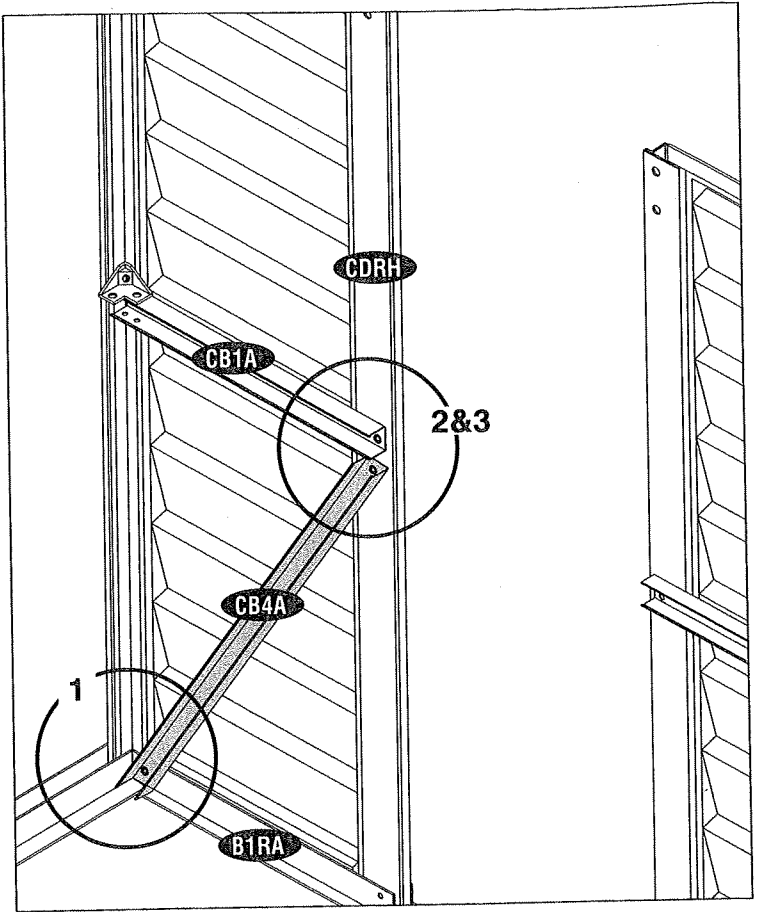
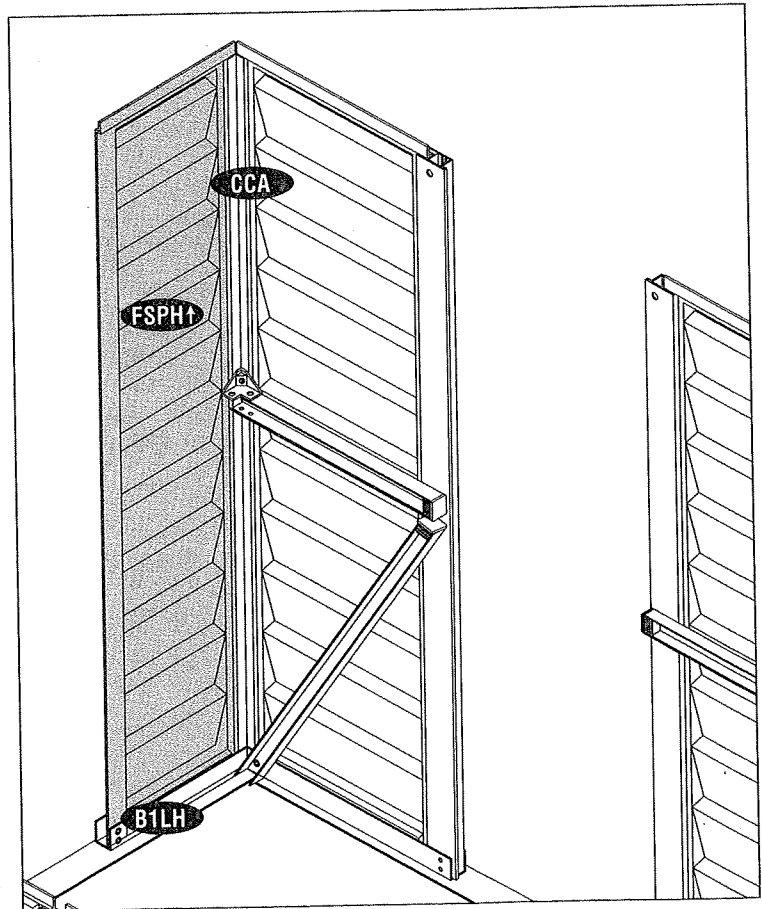


Fig.3



28. Insert the side panel (FSPH) into the groove of column (CCA) & base 'U' channel (B1LH).



29. Slide the door column (CDLA) into the base 'U' Channel & side panel. Line up the pre drilled holes on (CDLA) & base 'U' channel (B1LH) & fix with (S1) screws from inside.

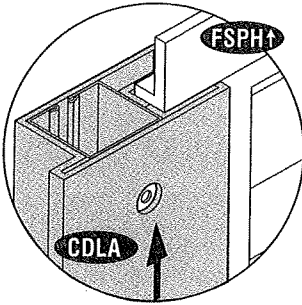


Fig.1

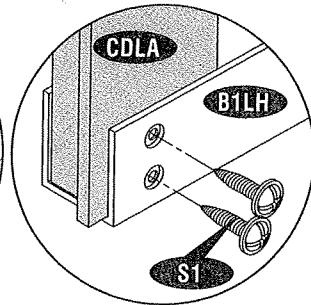
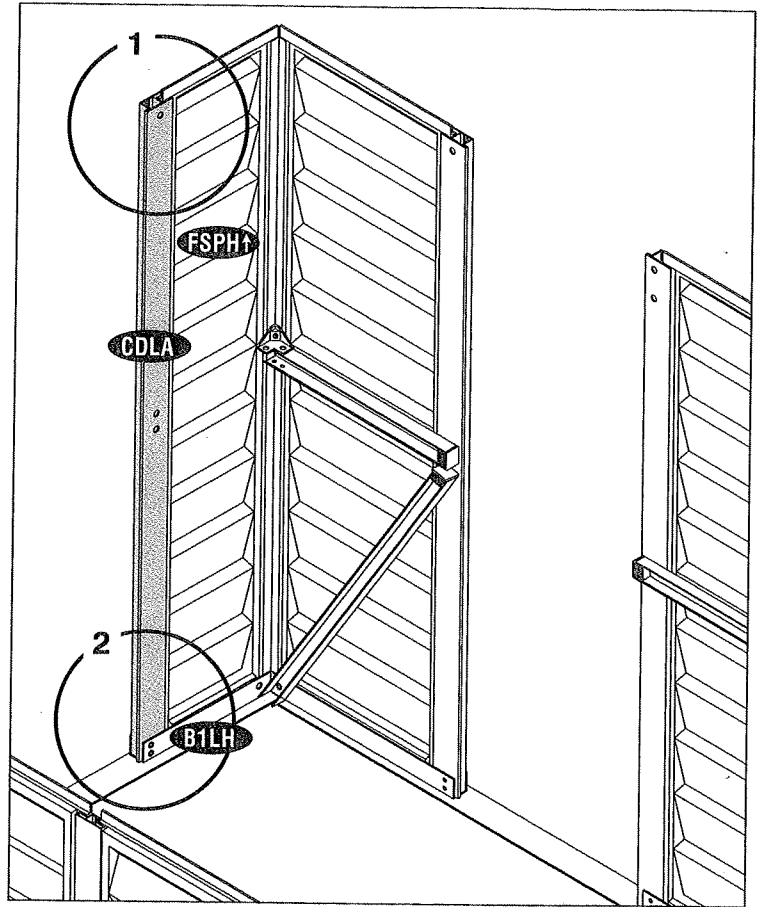


Fig.2



30. Fix the center band (CB1H) to the center band fitting (FCB) with (S1) screws. See fig.1. Fix the other end to the door column (CDLA). See fig.2.

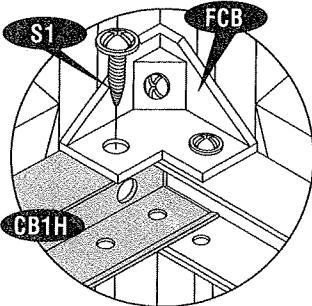


Fig.1

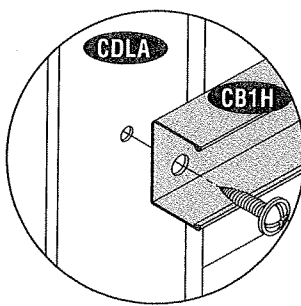


Fig.2

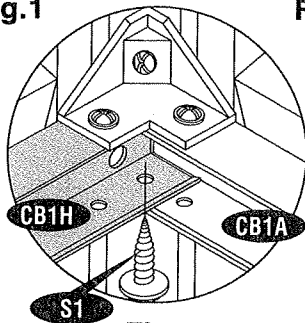
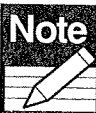
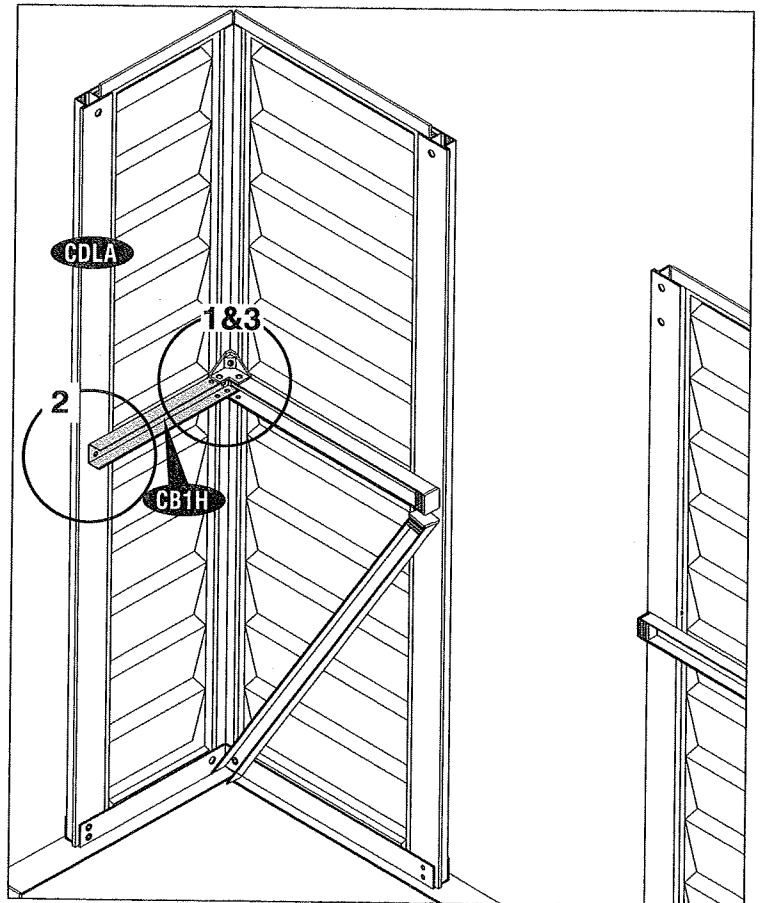


Fig.3



Note After completing the center band assembly, fully tighten the four center band fittings (FCB) to the corner column (CCA).

31. Fix the center band (CB4H) to the base 'U' channel (B1LH) and door column (CDLA) with (S1) screws. See fig.1&2. Fix the (EPS) at the end of (CB1H) & (CB4H). See fig.3.

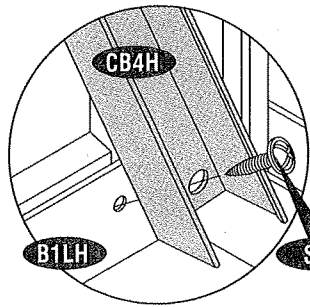


Fig.1

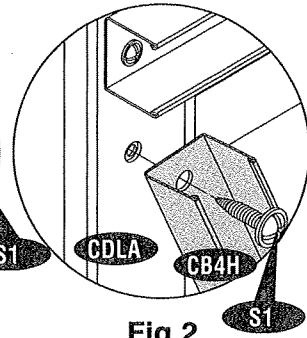


Fig.2

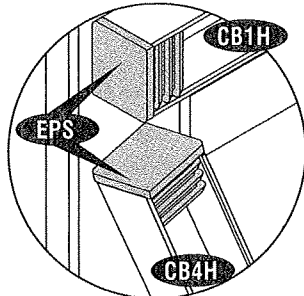
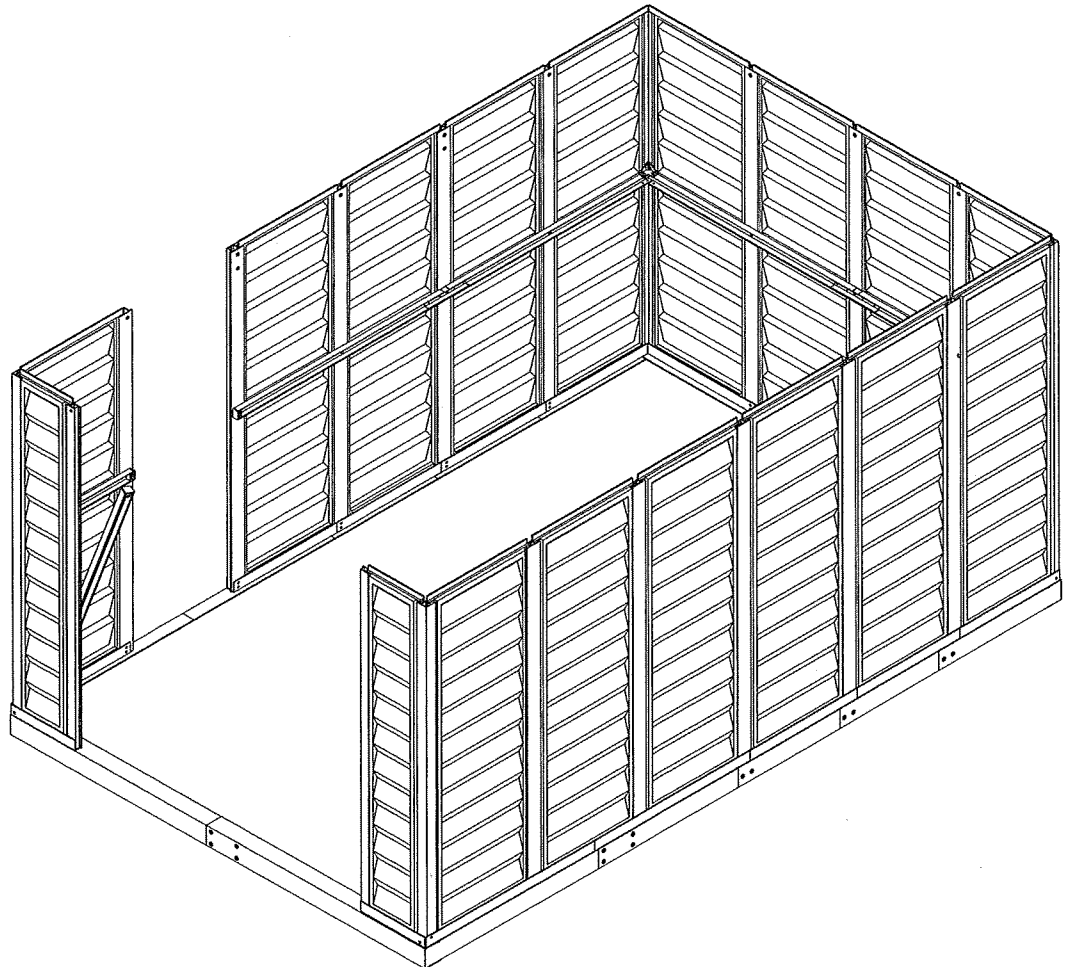
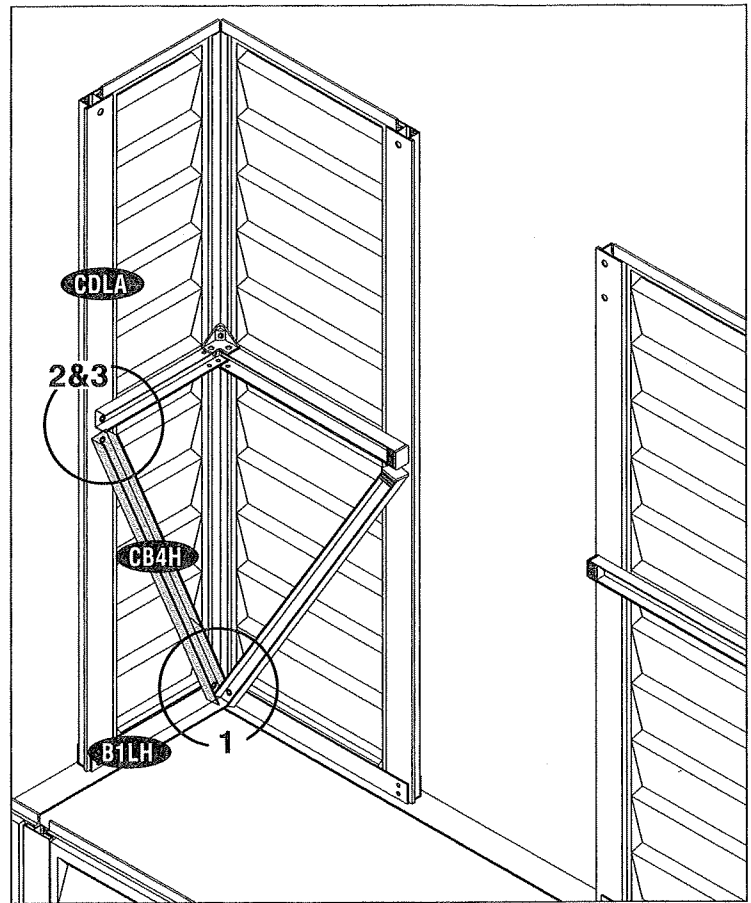


Fig.3



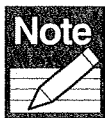
C. Roof Frame



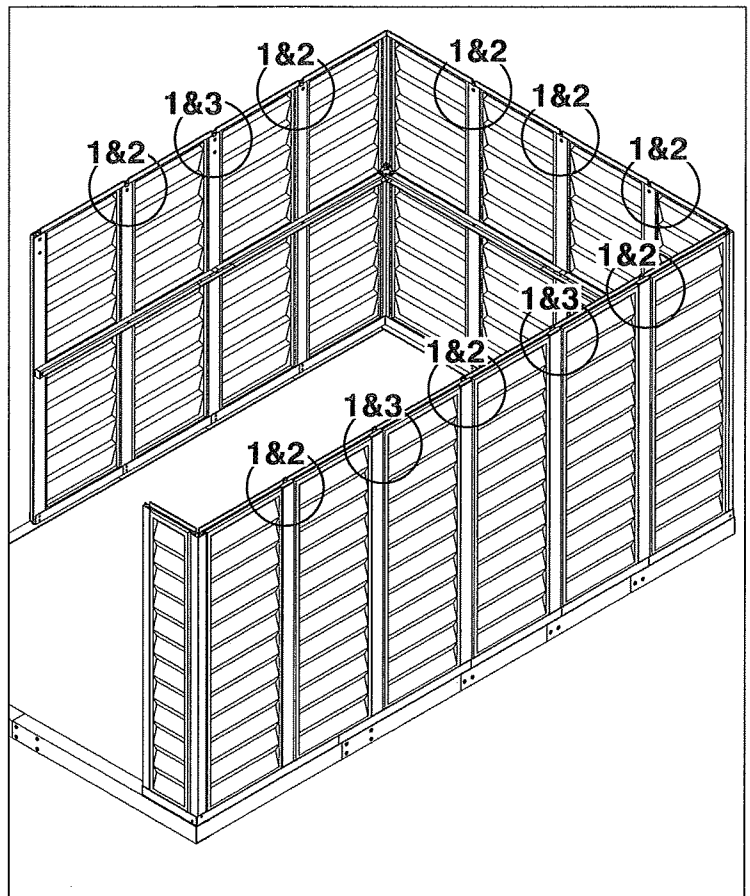
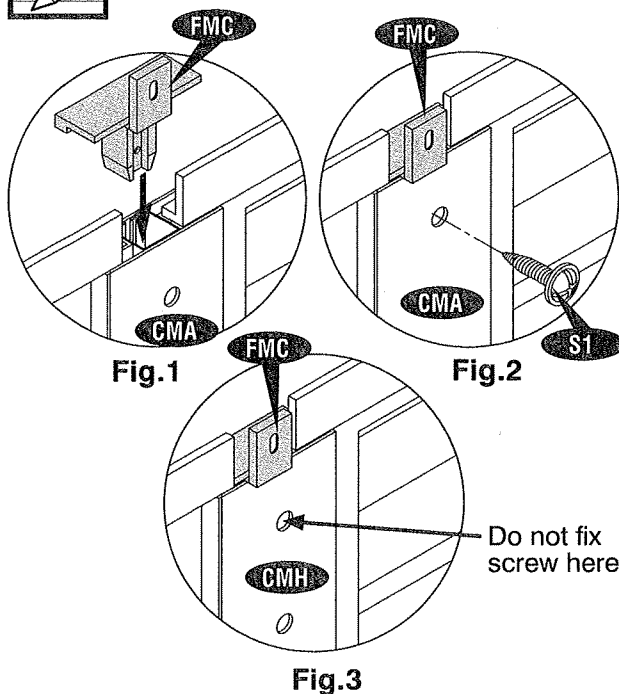
Parts Needed:

- | | | | |
|---------------------------------------|---------|-------------------------------|---------|
| (4) RS1 Roof Structure | (RS1H) | (1) Door Stopper Left | (RS16L) |
| (4) RS8 Roof Structure Support Long | (RS8H) | (1) Door Stopper Right | (RS16R) |
| (4) RS9 Roof Structure Support Short | (RS9H) | (1) Door Column Fitting Left | (FDCL) |
| (6) Middle Joining Support | (MJ) | (1) Door Column Fitting Left | (FDCLR) |
| (5) RS3 Roof Structure Long | (RS3LA) | (1) Door Column Fitting Right | (FDCR) |
| (1) RS3 Roof Structure Long | (RS3LH) | (1) Door Column Fitting Right | (FDCRH) |
| (4) RS5 Roof Structure | (RS5A) | (4) Corner Column Fitting | (FCC) |
| (8) RS6 Roof Structure | (RS6H) | (11) Middle Column Fitting | (FMC) |
| (8) RS7 Roof Structure | (RS7H) | (4) 90 Degree Joint | (RJ) |
| (8) RS13 Roof Structure | (RS13A) | (8) Top Corner | (TCH) |
| (4) RS2 Roof Structure | (RS2A) | Screws | (S1) |
| (2) RS10 Roof Structure Support | (RS10A) | Screws | (S2) |
| (10) RS4 Roof Structure | (RS4XA) | Machine Screws | (S3) |
| (5) RS11 Roof Structure Support Short | (RS11A) | | |
| (3) RS12 Roof Structure Support Short | (RS12A) | | |
| (4) Vertical Support - 1 | (RS19H) | | |
| (4) Vertical Support - 2 | (RS20H) | | |
| (2) RS15 Roof Structure Support Left | (RS15L) | | |
| (2) RS15 Roof Structure Support Right | (RS15R) | | |
| (1) Door Stopper Small | (DSHH) | | |

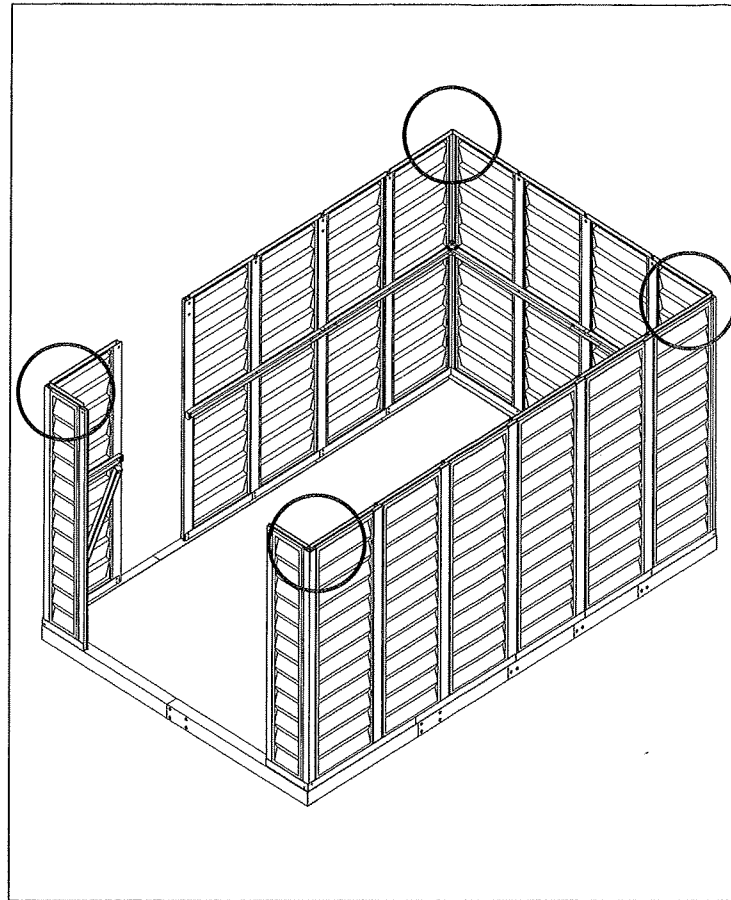
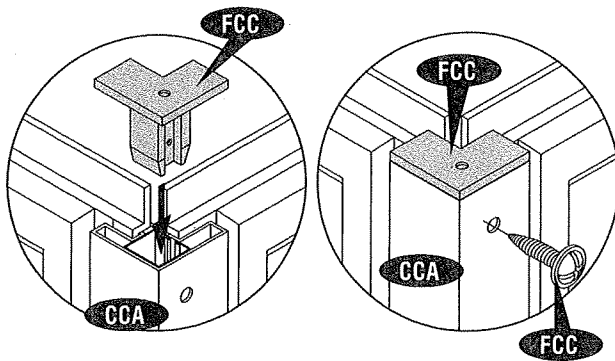
1. Insert the middle column fitting (FMC) into top of the middle column (CMA) & (CMH). Fix the column (CMA) to fittings with (S1) screws from inside the shed.



Note Do not fix the fitting where (CMH) is coming. Only insert it.



2. Insert the corner column fittings (**FCC**) into the corner column (**CCA**). Fix with (**S1**) screws from outside of the shed.



3. Insert the door column fittings (**FDCLC**) & (**FDCRH**) into the front door column (**CDLA**) & (**CDRA**). See fig.1&2.

Insert the door column fittings (**FDCL**) & (**FDCR**) into the side door column (**CDLH**) & (**CDRH**). Fix the fitting (**FDCR**) to the column (**CDRH**) by (**S1**) screw. All other fittings will be screwed later. See fig.3&4.

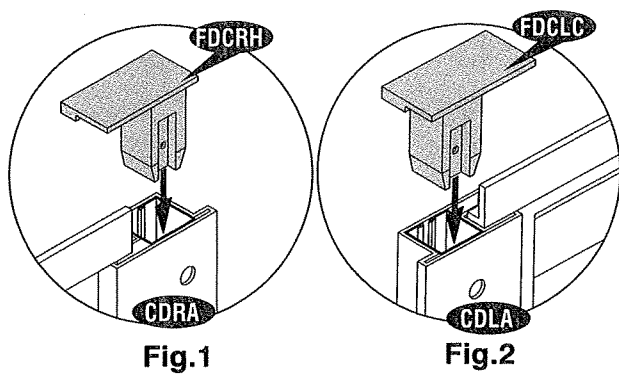


Fig.1

Fig.2

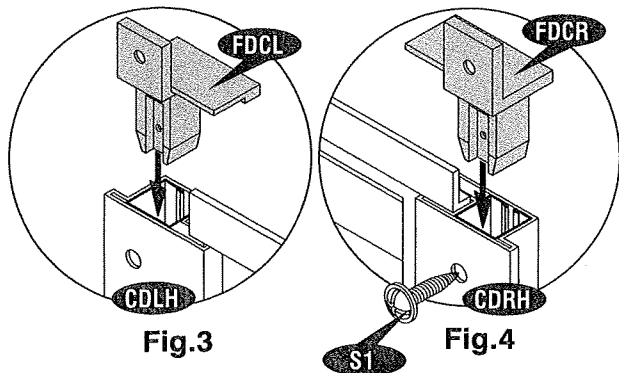
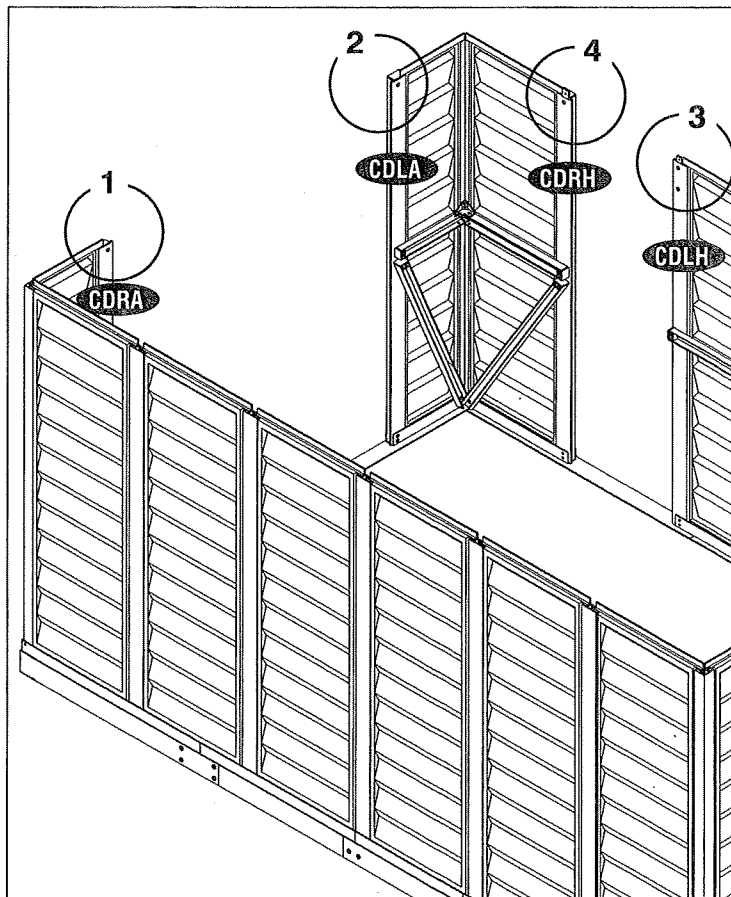
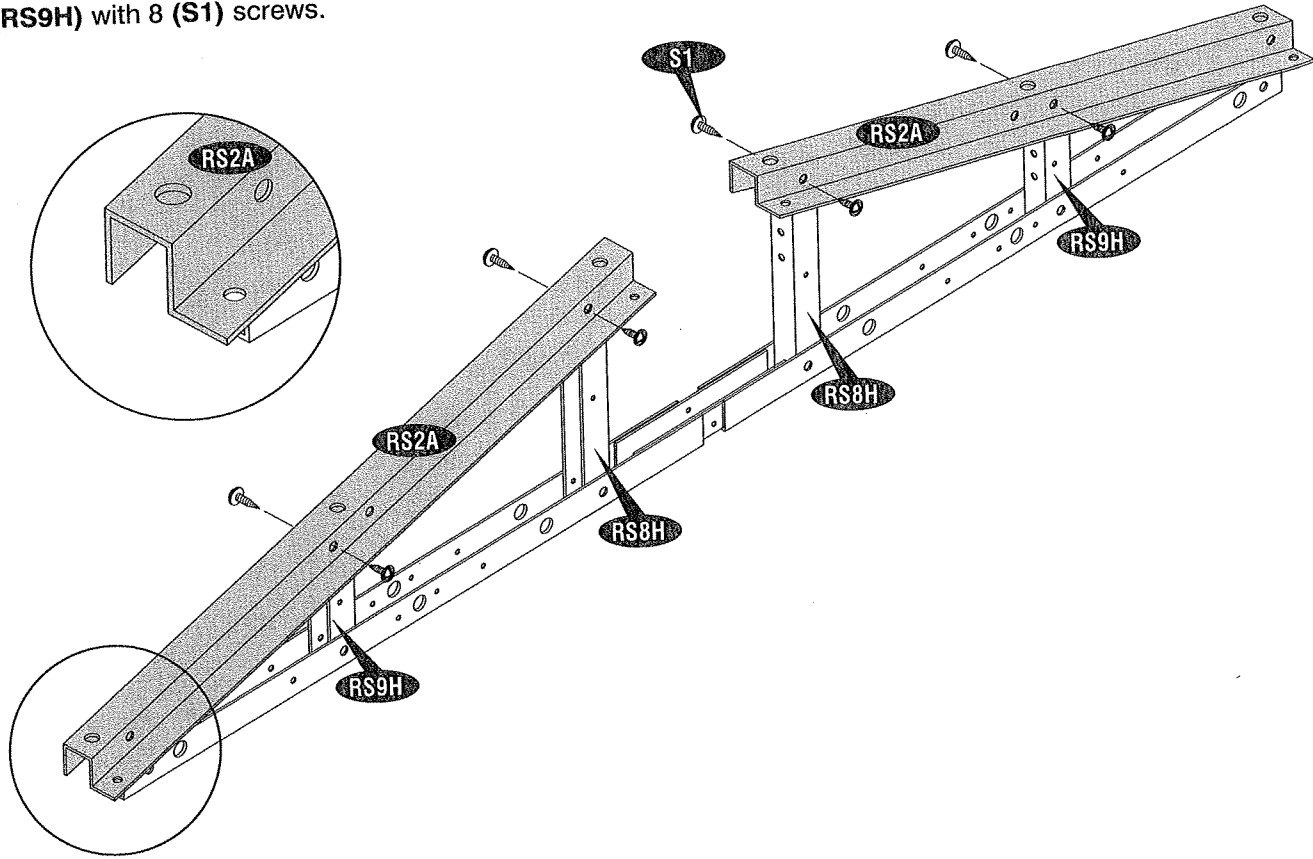


Fig.3

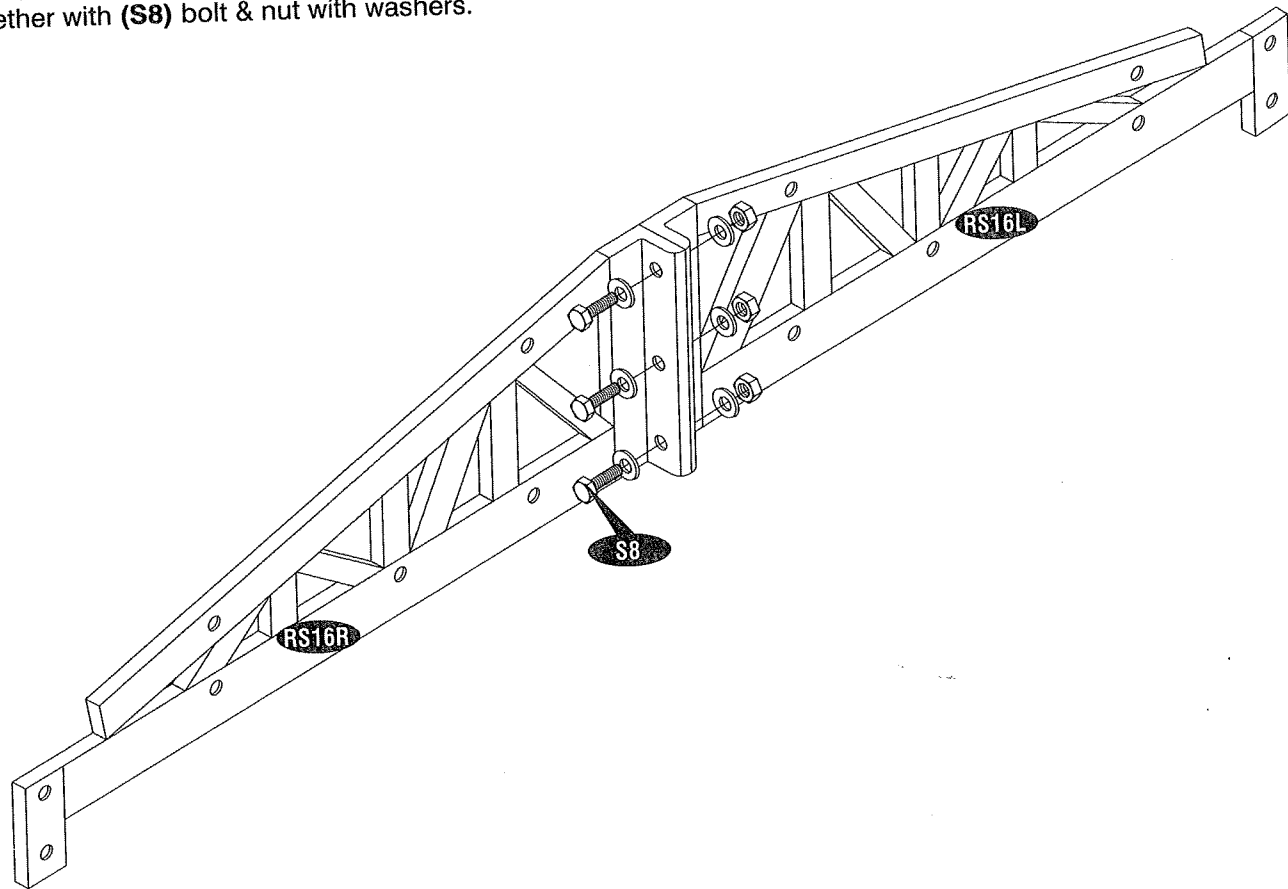
Fig.4



6. Assemble the roof structure (RS2A) to (RS8H) & (RS9H) with 8 (S1) screws.

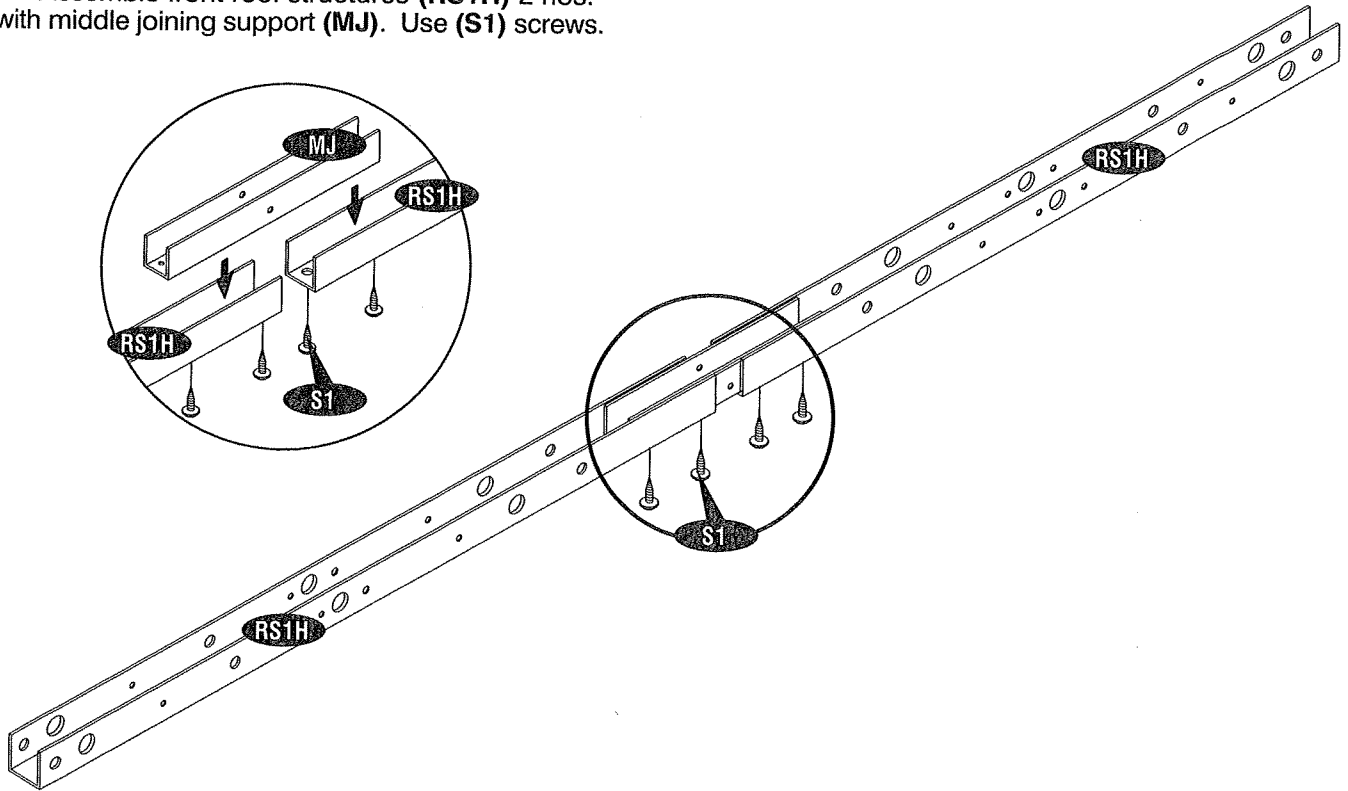


7. Assemble door stopper (RS16L) & (RS16R) together with (S8) bolt & nut with washers.

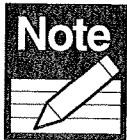


Front roof structure assembly

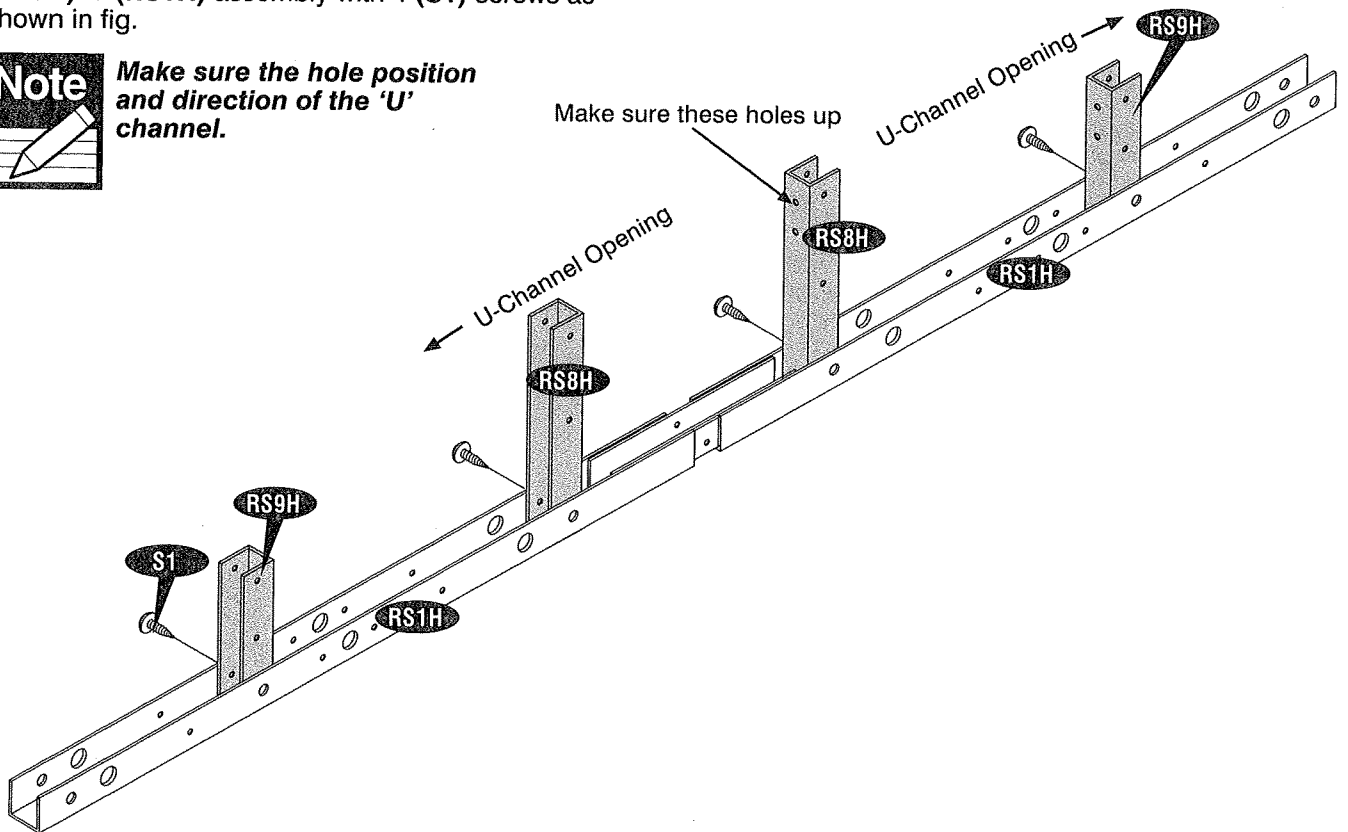
4. Assemble front roof structures (RS1H) 2 nos. with middle joining support (MJ). Use (S1) screws.



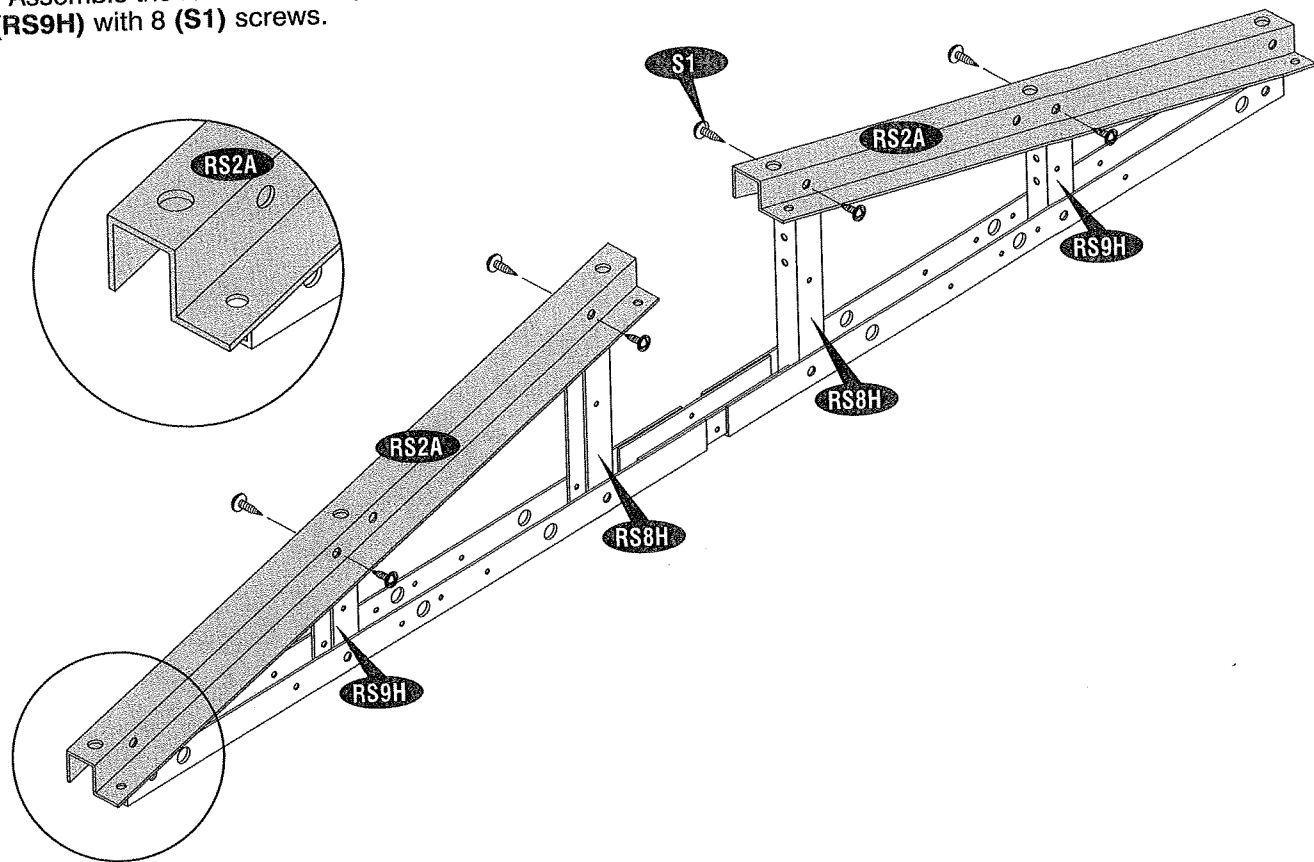
5. Assemble roof structure support (RS8H) & (RS9H) to (RS1H) assembly with 4 (S1) screws as shown in fig.



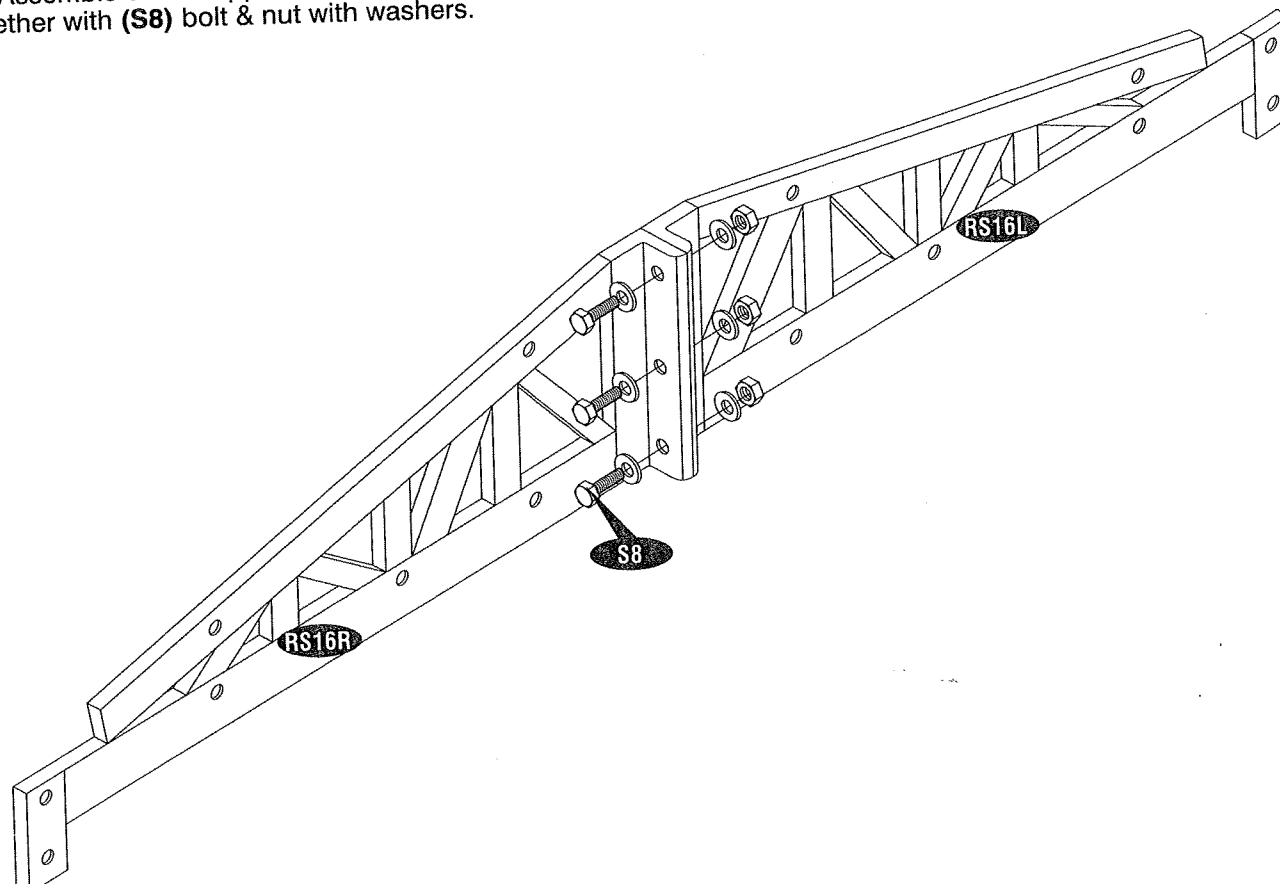
Note Make sure the hole position and direction of the 'U' channel.

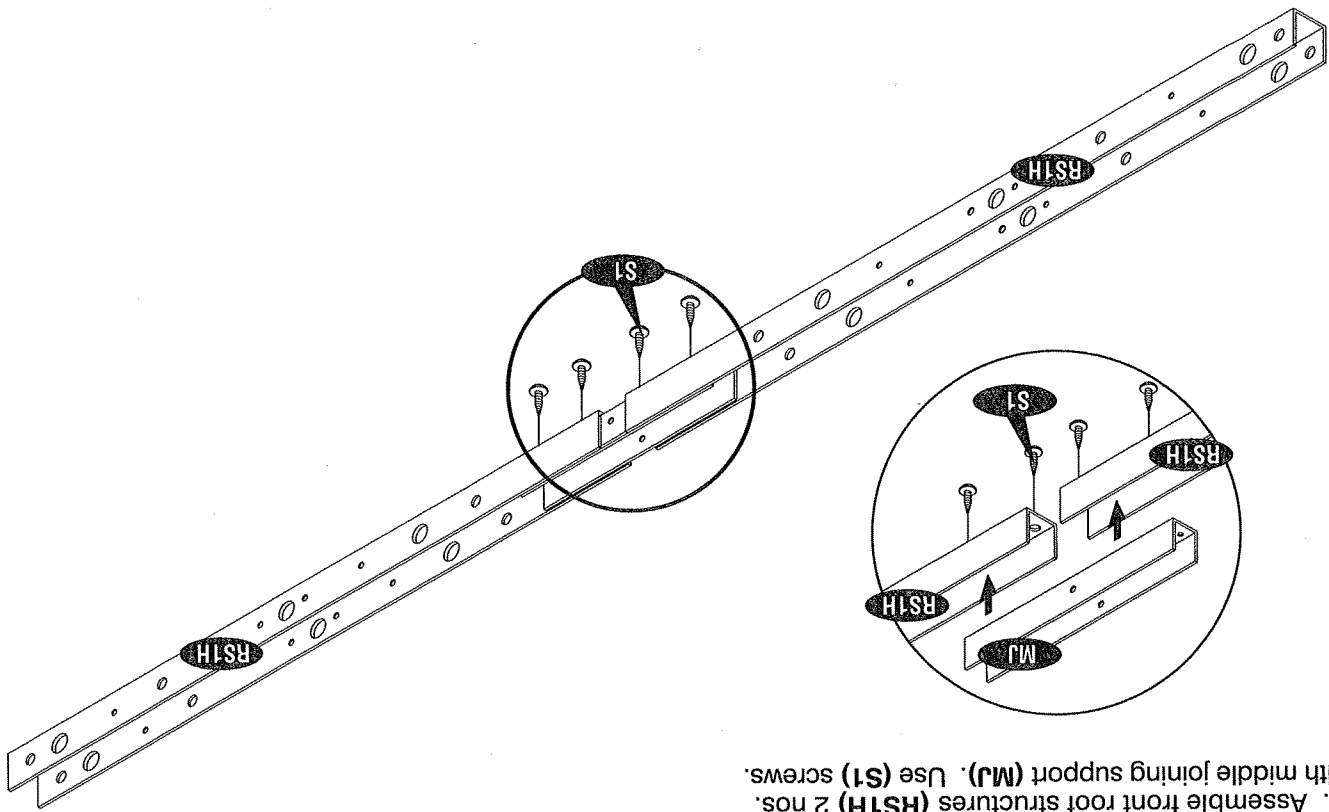


6. Assemble the roof structure (RS2A) to (RS8H) & (RS9H) with 8 (S1) screws.



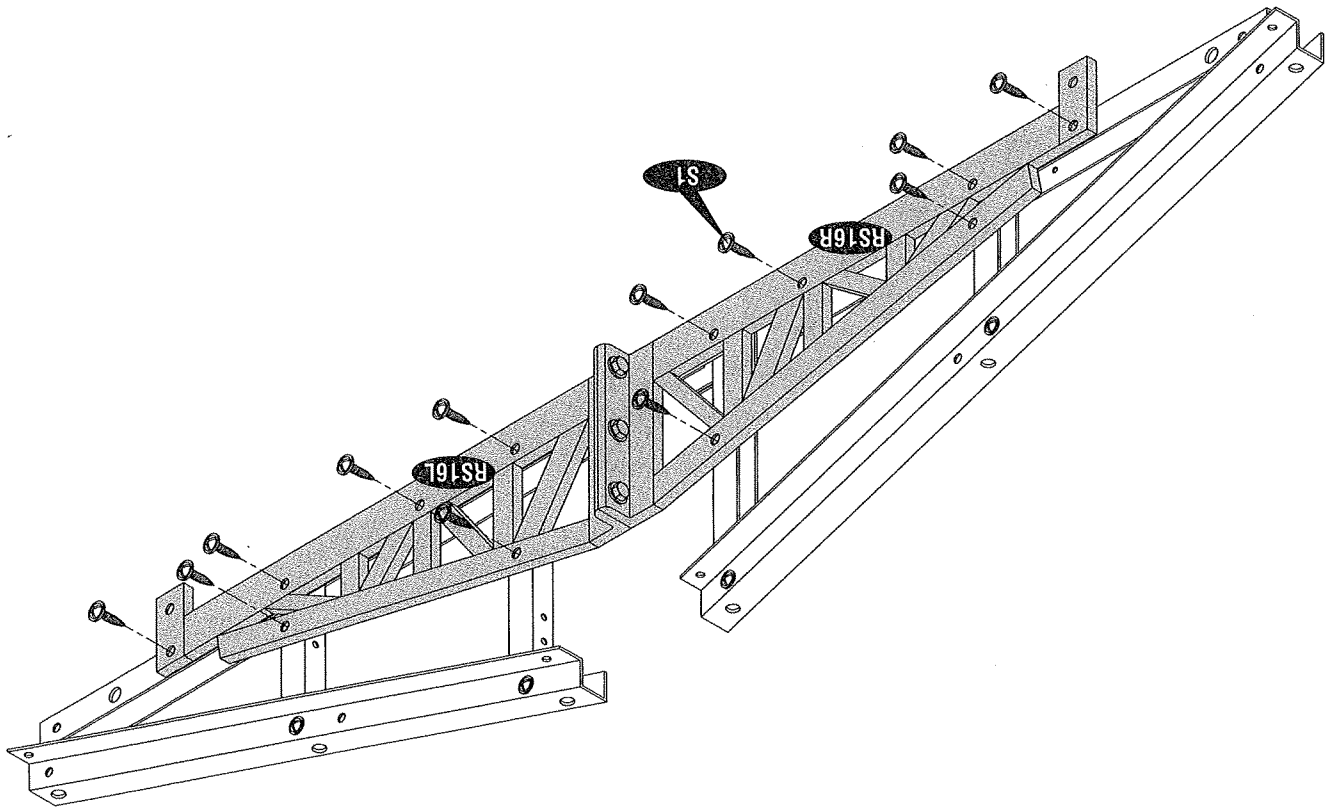
7. Assemble door stopper (RS16L) & (RS16R) together with (S8) bolt & nut with washers.





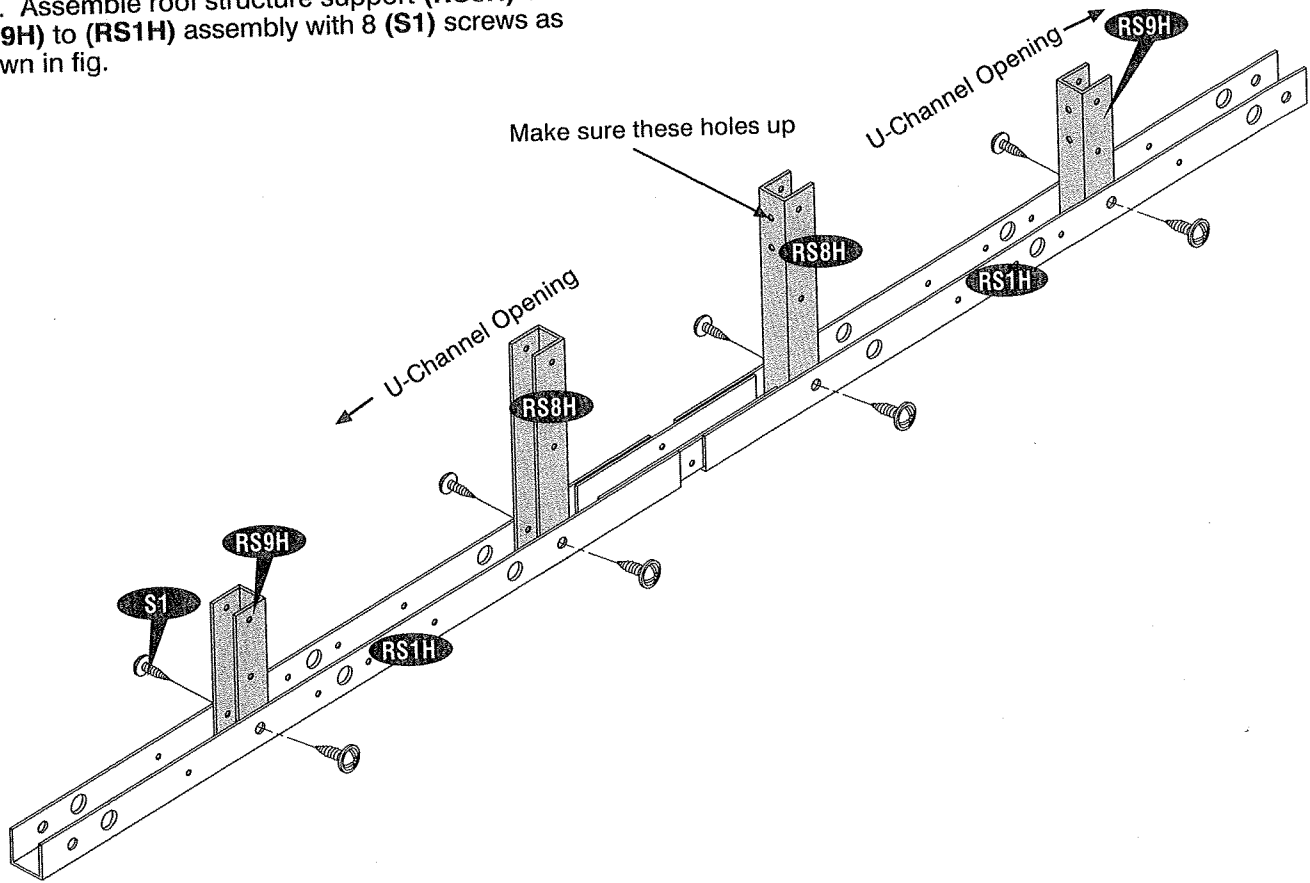
9. Assemble front roof structures (RS1H) 2 nos. with middle joining support (MJ). Use (S1) screws.

Back roof structure assembly

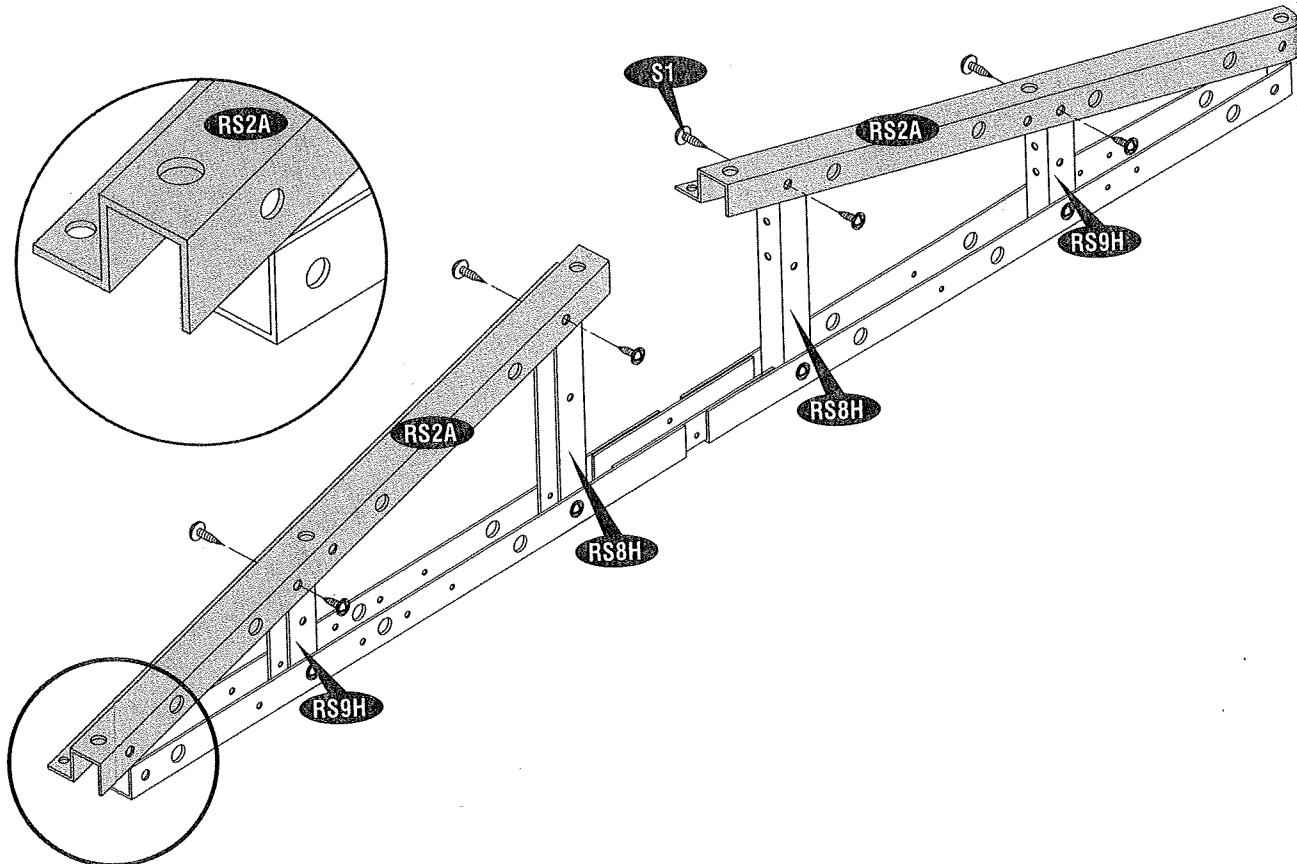


8. Assemble (RS16R) & (RS16L) assembly to front roof assembly with (S1) screws.

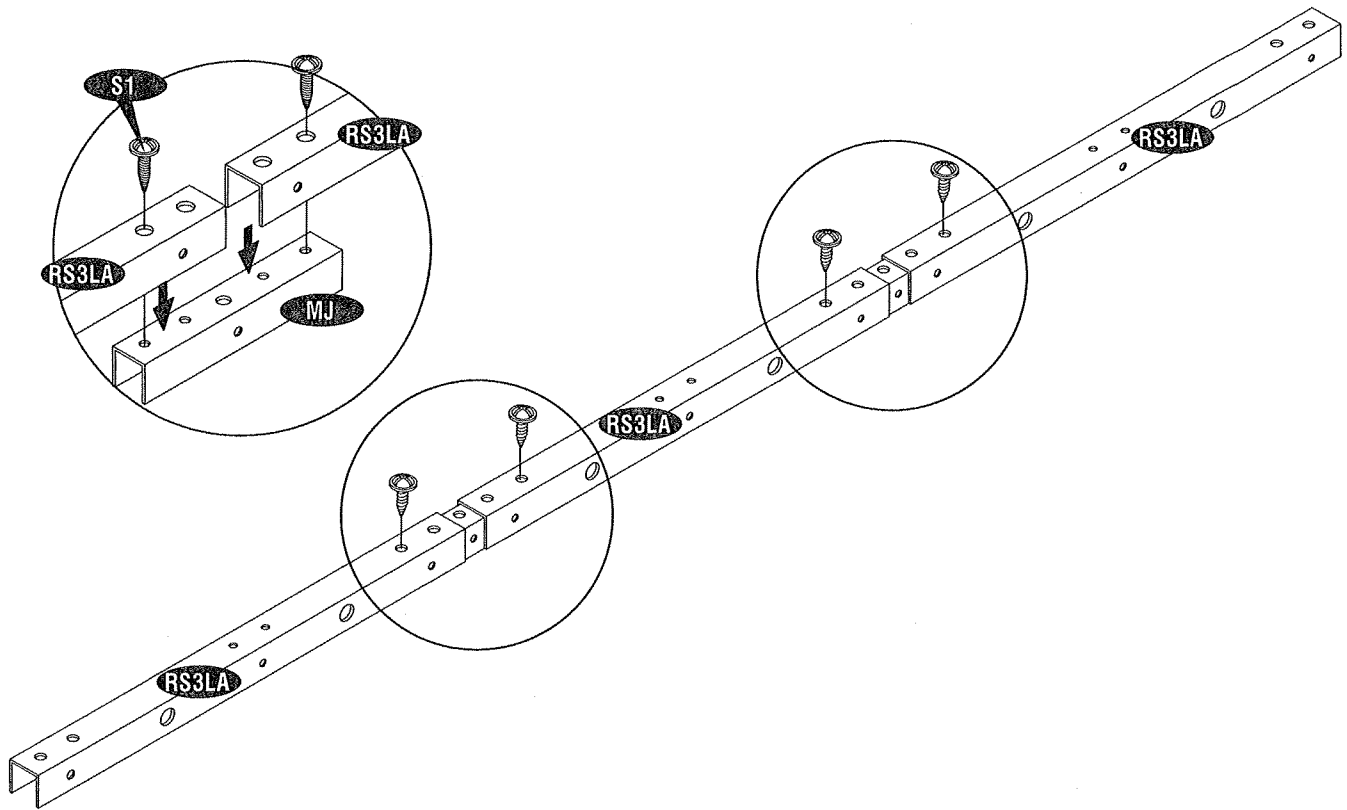
10. Assemble roof structure support (RS8H) & (RS9H) to (RS1H) assembly with 8 (S1) screws as shown in fig.



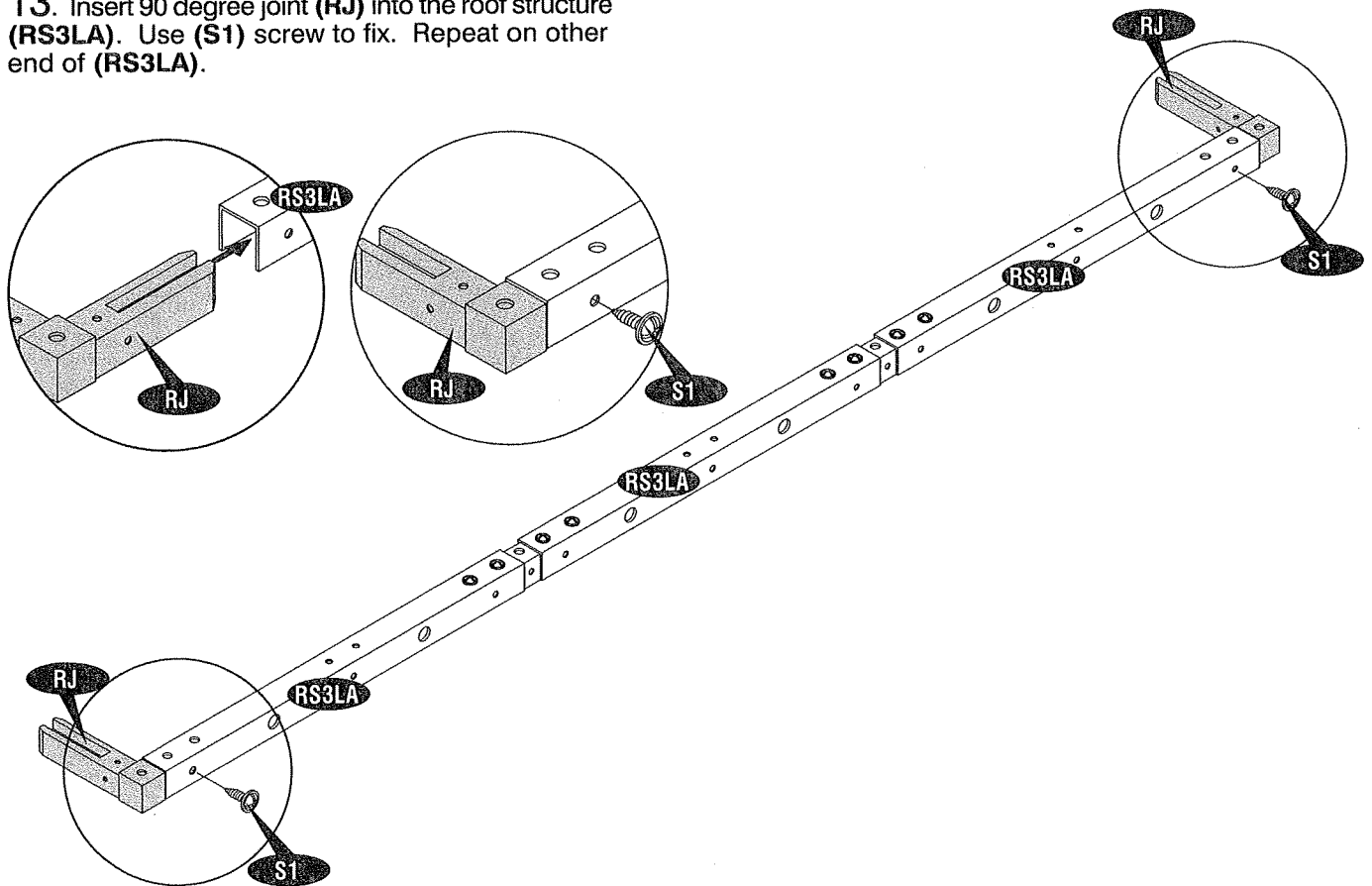
11. Assemble the roof structure (RS2A) to (RS8H) & (RS9H) with 8 (S1) screws.



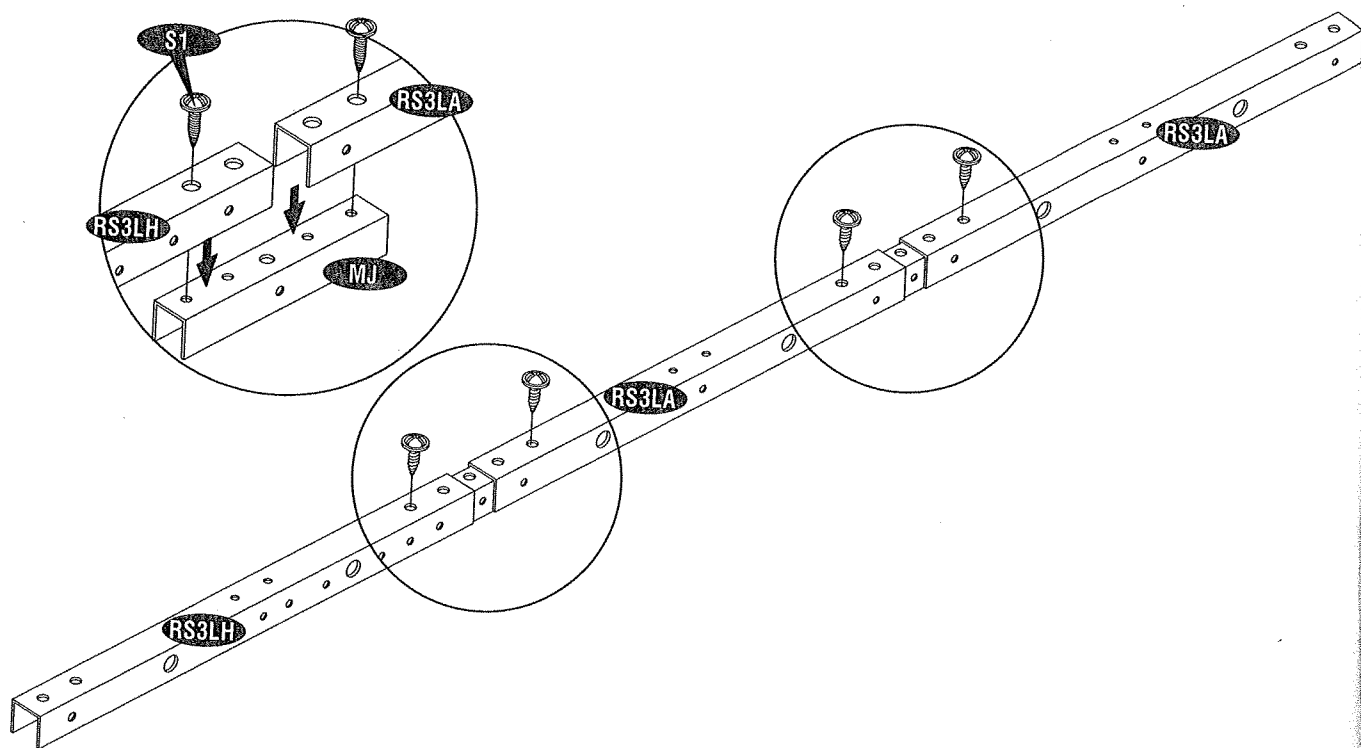
12. Assemble roof structure (RS3LA) with middle joining support (MJ). Use (S1) screws to fix.



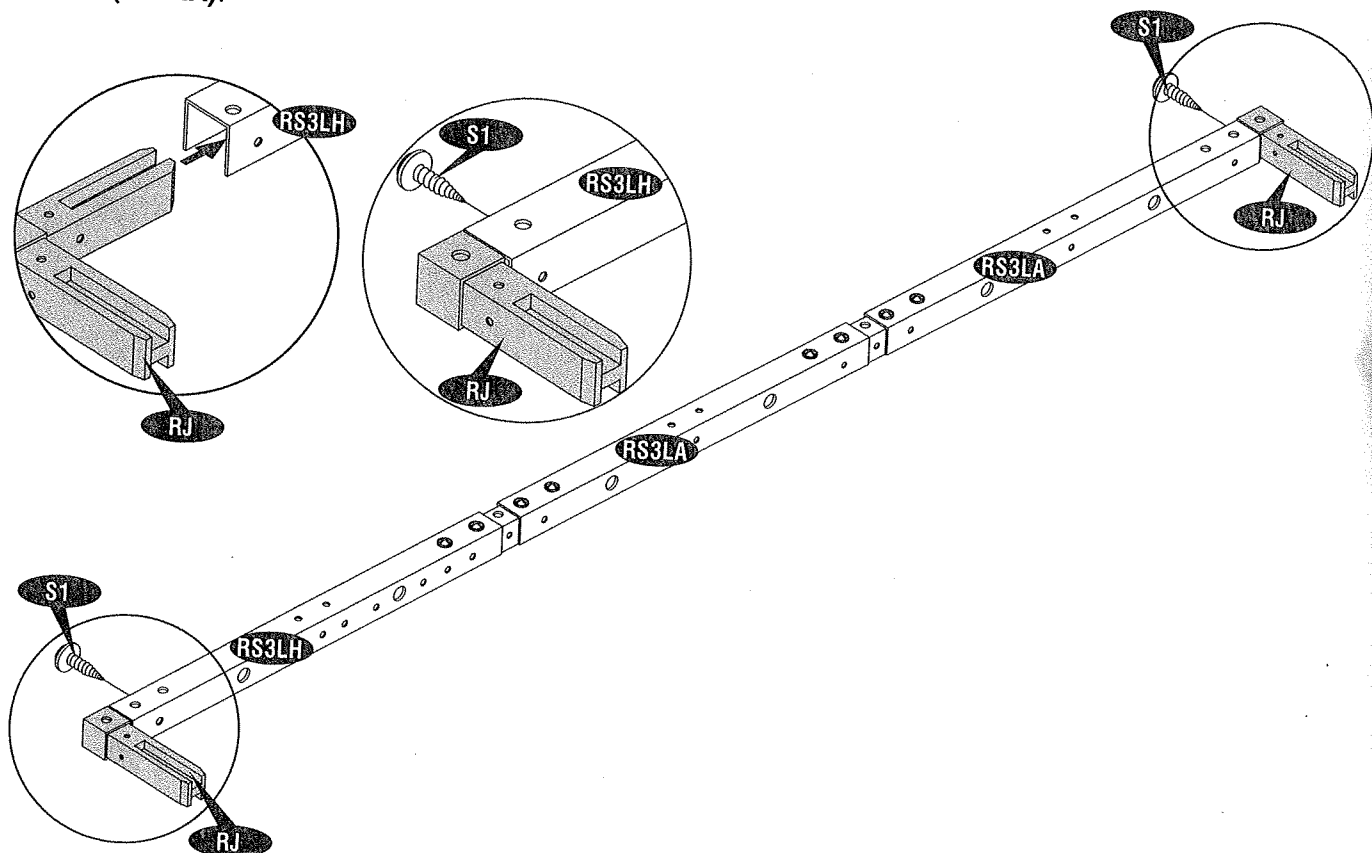
13. Insert 90 degree joint (RJ) into the roof structure (RS3LA). Use (S1) screw to fix. Repeat on other end of (RS3LA).



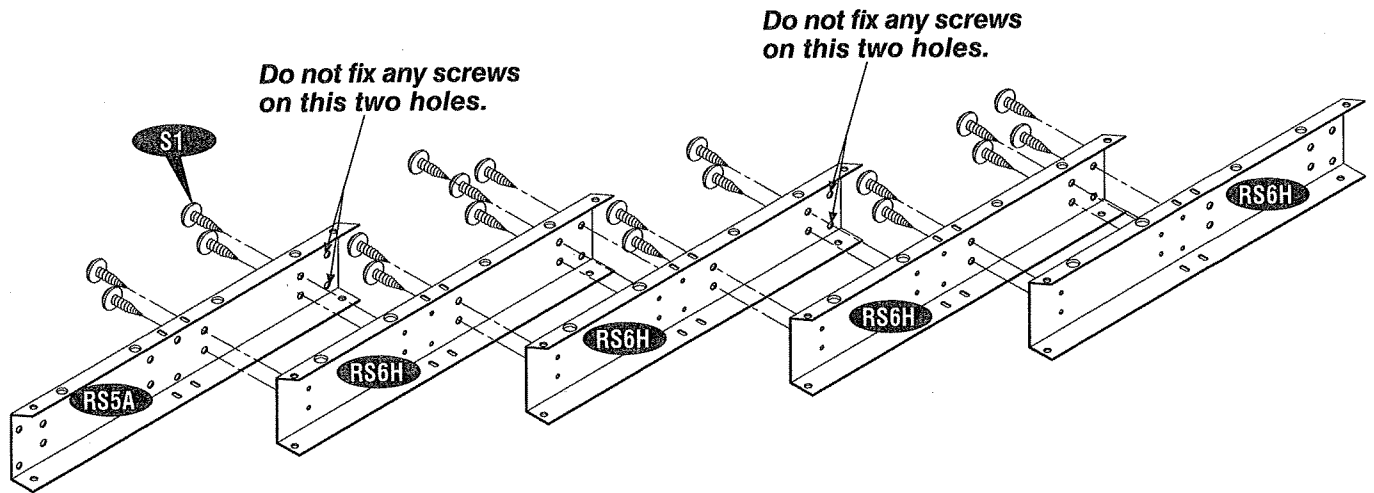
14. Assemble roof structure (RS3LA) & (RS3LH) with middle joining support (MJ). Use (S1) screws to fix.



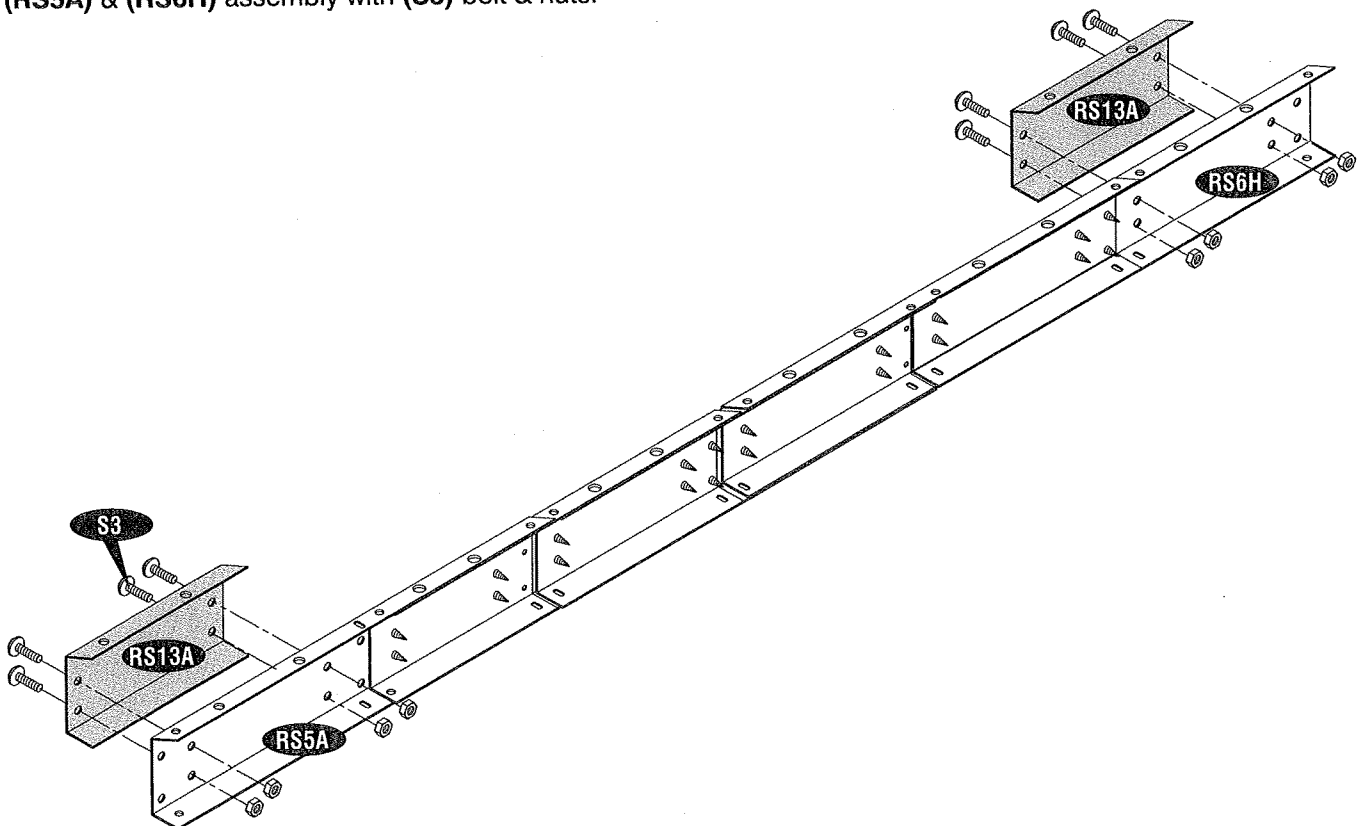
15. Insert 90 degree joint (RJ) into the roof structure (RS3LH). Use (S1) screw to fix. Repeat on other end of (RS3LA).



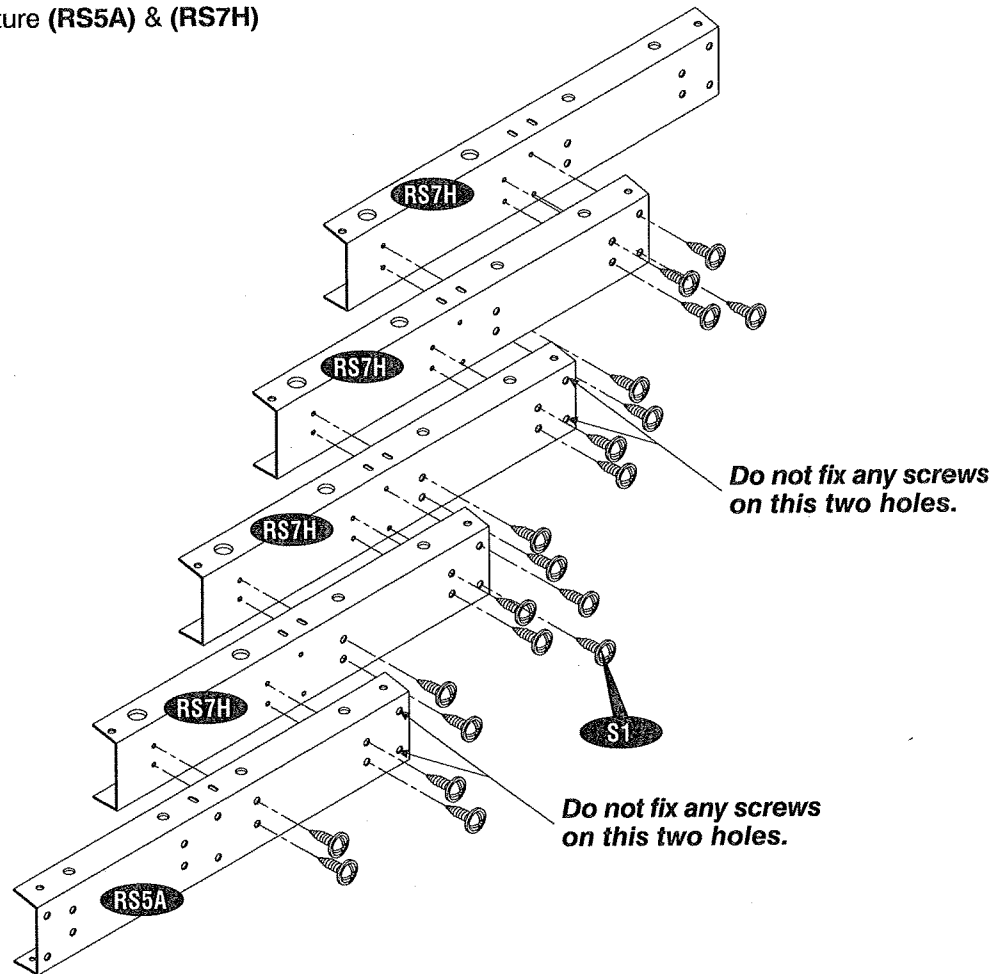
16. Assemble the roof structure (RS5A) & (RS6H) with (S1) screws.
Make 2 sets.



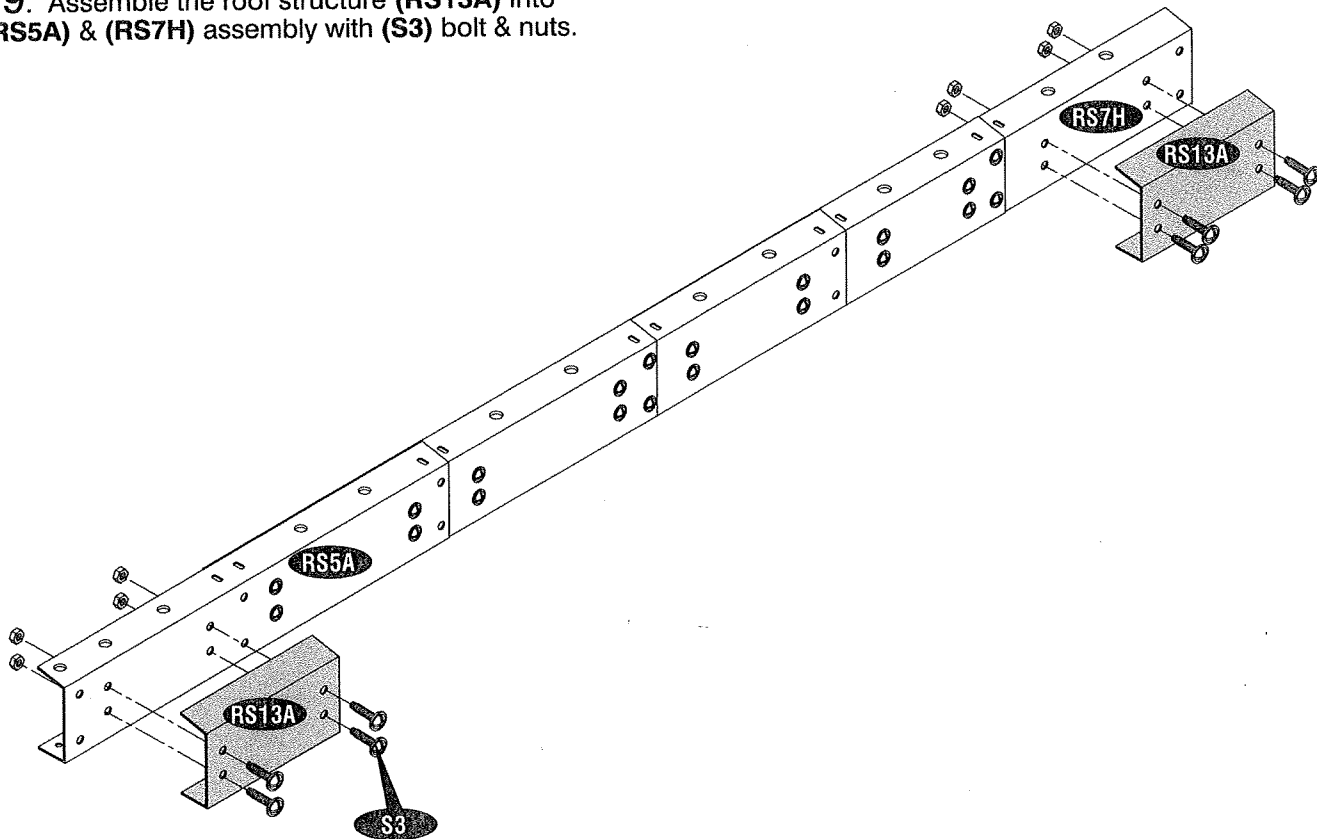
17. Assemble the roof structure (RS13A) into (RS5A) & (RS6H) assembly with (S3) bolt & nuts.



18. Assemble the roof structure (RS5A) & (RS7H) with (S1) screws.
Make 2 sets.



19. Assemble the roof structure (RS13A) into (RS5A) & (RS7H) assembly with (S3) bolt & nuts.



20. Place the assembled front roof structure to the door columns. Line up the pre drilled holes with door column and fix with (S1) screws. See fig.1&2. Make sure the (RS2A) structure position as shown in fig.3.

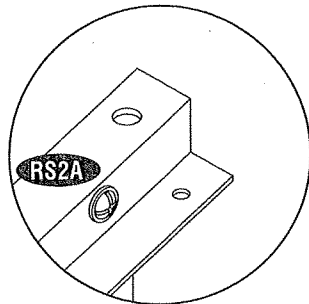
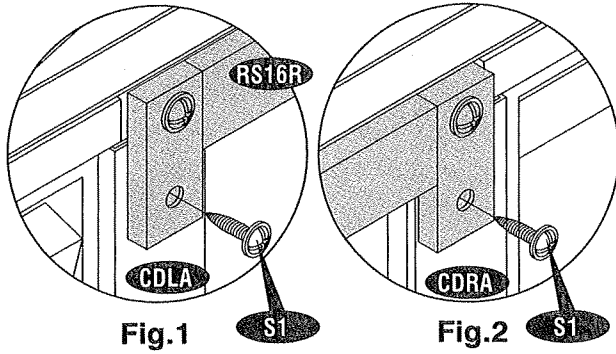
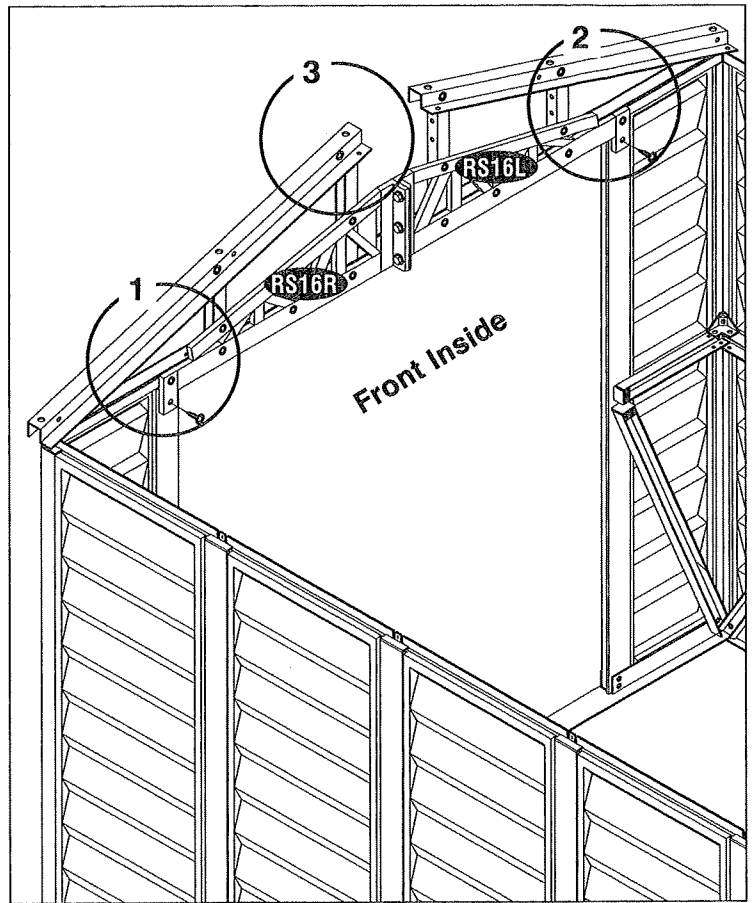


Fig.3



21. Place the assembled back roof structure at the back wall, on top of middle columns (CMA). Line up pre drilled holes with middle column fittings (FMC). Use (S1) screws to fix back roof structure to (FMC). See fig.1. Make sure the (RS2A) position as shown in fig.2.

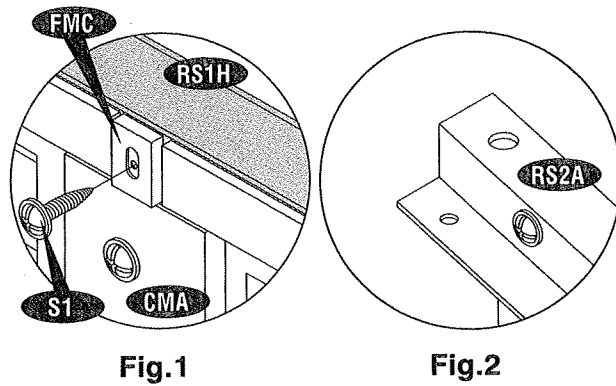
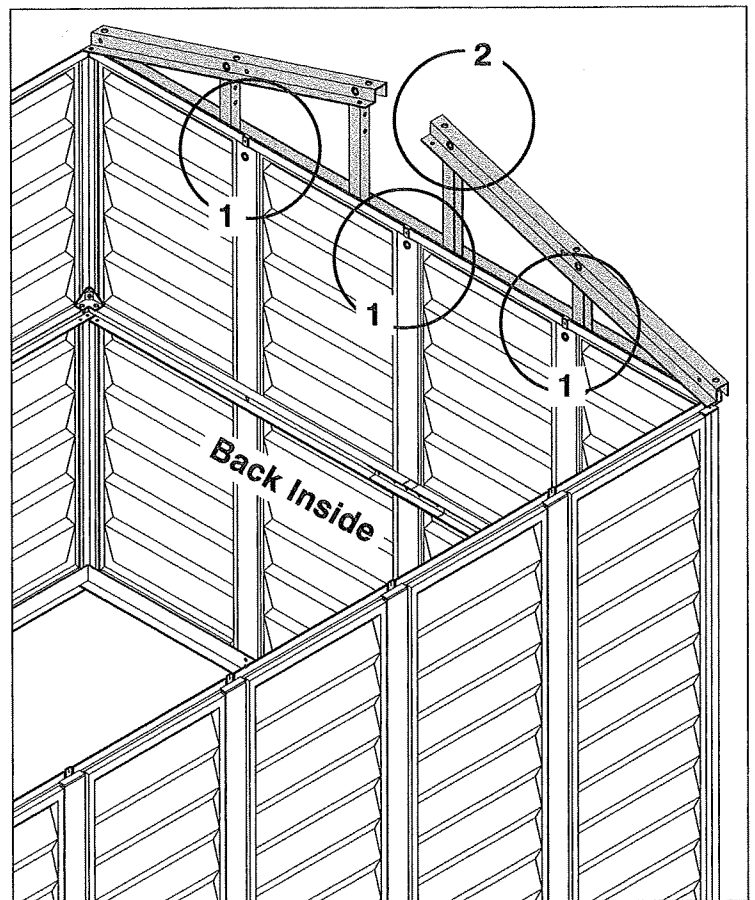


Fig.1

Fig.2



22. Insert the 90 degree joint (RJ) (assembled with (RS3) roof structure) into the roof structure (RS1H). See fig.1. Secure (RJ) to (RS1H) with (S1) screw. See fig.2. Secure (RJ) with (FCC) using (S2) screw. See fig.3. Fix (RS2A) to (RJ) through (RS3) assembly with (S1) screw. See fig.4. Repeat the same for other 3 corners.

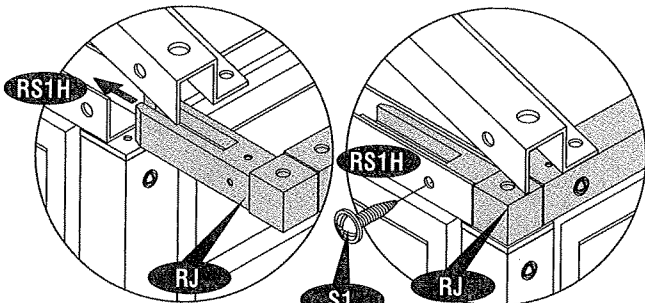


Fig.1

Fig.2

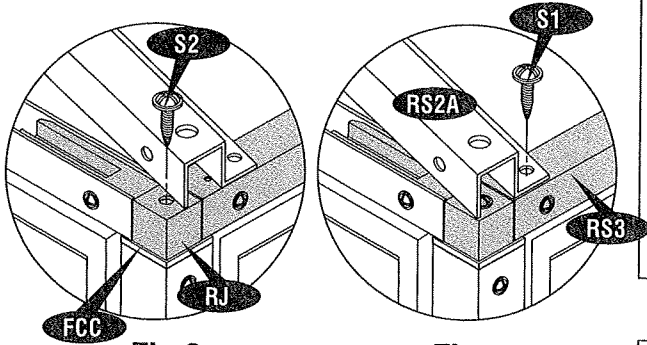


Fig.3

Fig.4

23. Fix (RS3) assembly to middle column fitting (FMC) & door column fitting (FDCR) with (S1) screws. See fig.1&2.

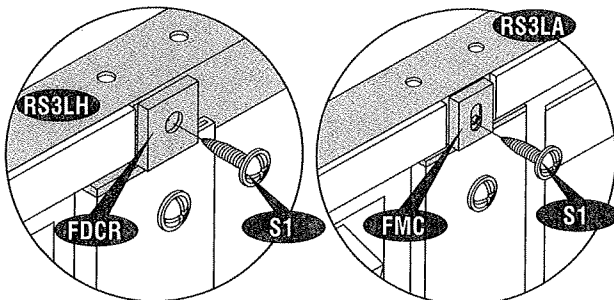
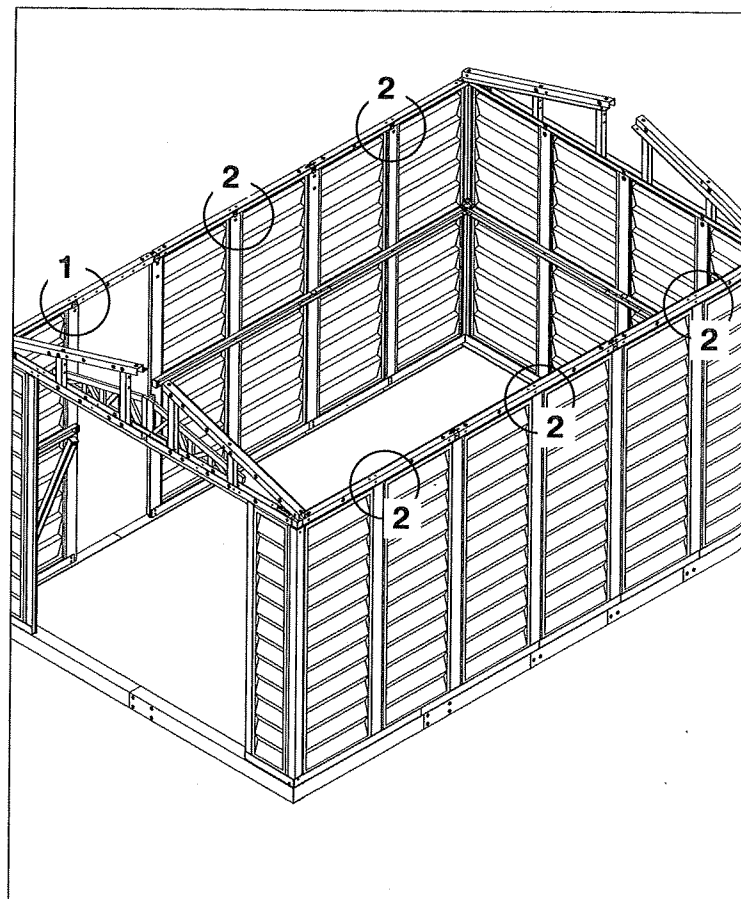
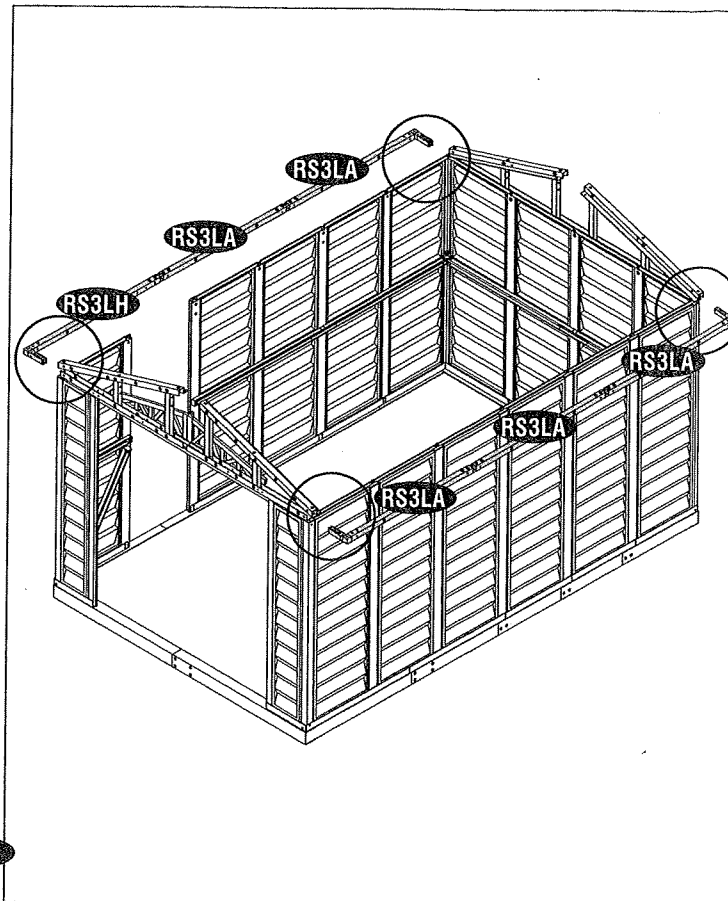
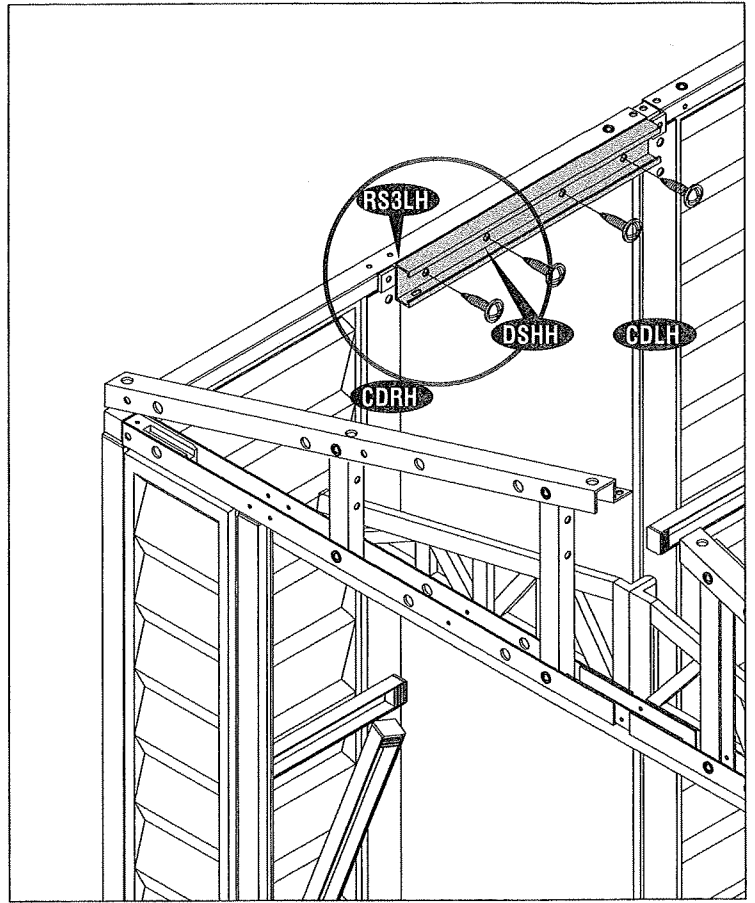
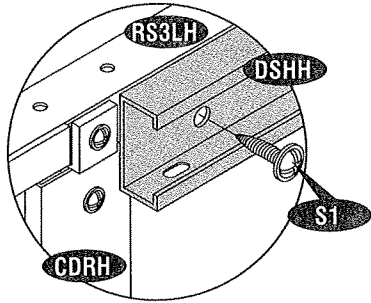


Fig.1

Fig.2



24. Fix the door stopper (DSHH) to the roof structure (RS3LH) with (S1) screws.



25. Place the assembled roof structure (RS5A) & (RS6H) into position on roof structure supports (RS8H) at the left side of the shed. Use (S1) screws to fix. Repeat the same for assembling (RS5A) & (RS7H) assembly. See fig.1&2.

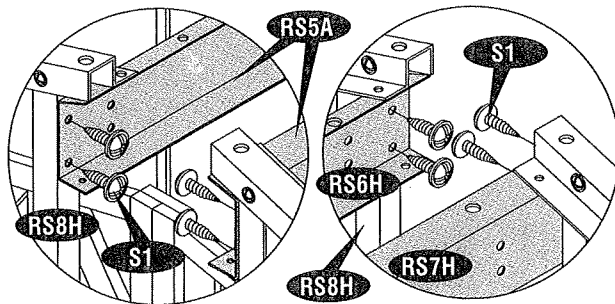
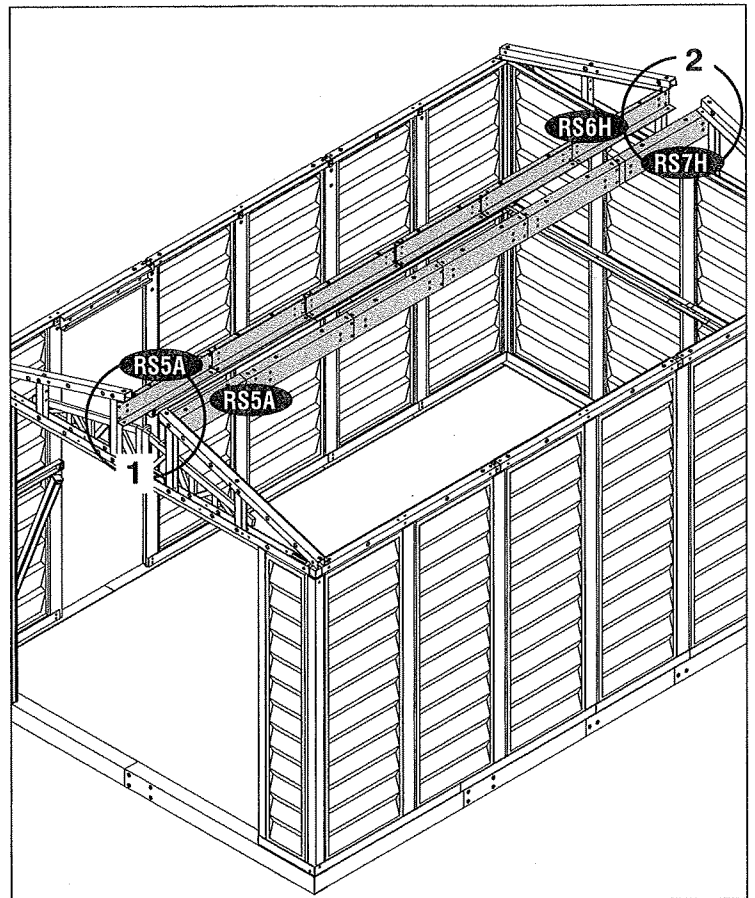
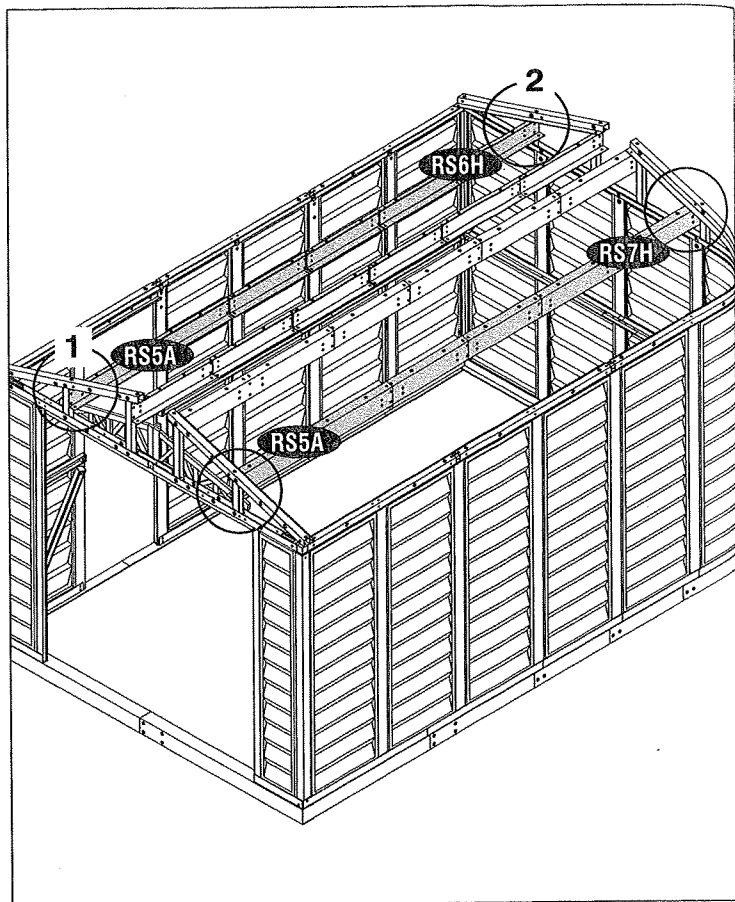
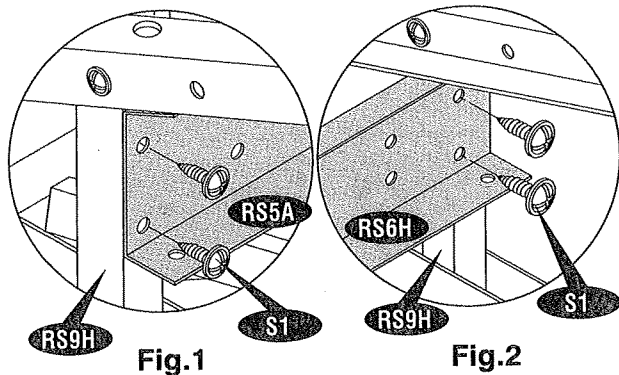


Fig.1

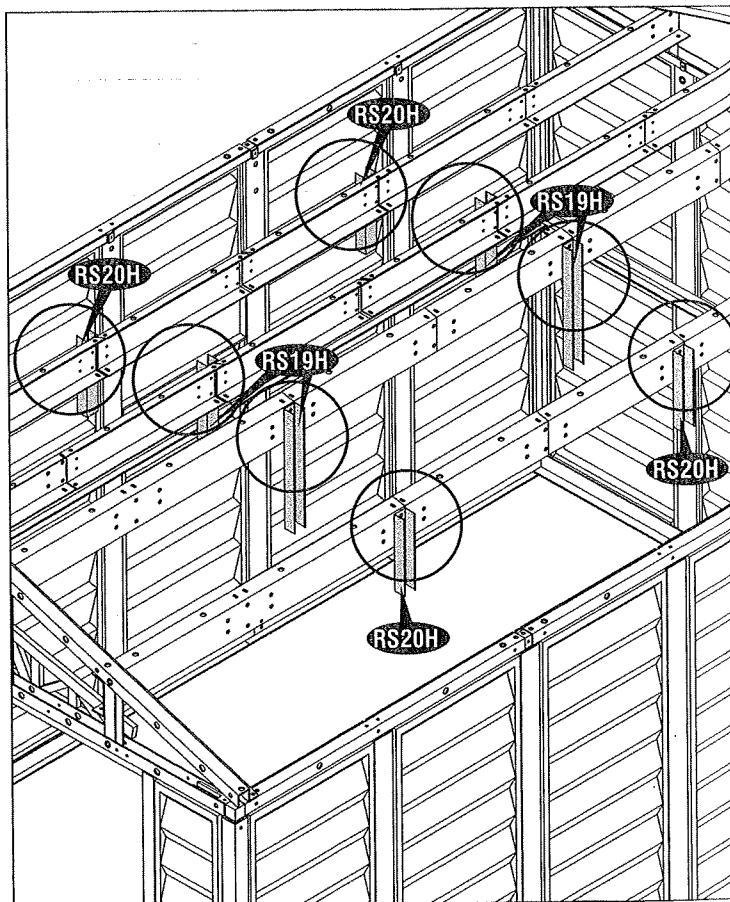
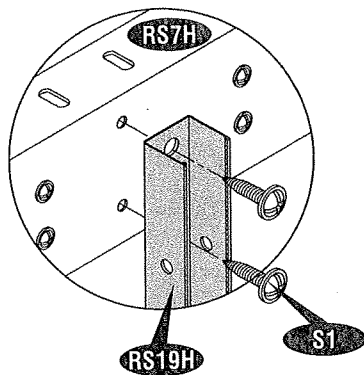
Fig.2



26. Place the assembled roof structure (RS5A) & (RS6H) into position on roof structure supports (RS9H) at the left side of the shed. Use (S1) screws to fix. See fig.1&2. Repeat the same for assembling (RS5A) & (RS7H) assembly.



27. Fix the vertical support (RS19H) & (RS20H) to (RS5) assembly with (S1) screws.



28. Attach the roof structure (RS4XA) 10 nos. to (RS3LH) & (RS3LA) assembly with (S1) screws. See fig.1.
 Attach the roof structure (RS4XA) to (RS5A), (RS6A) assembly and (RS5A), (RS7A) assembly with (S7) screws. See fig.2&3.

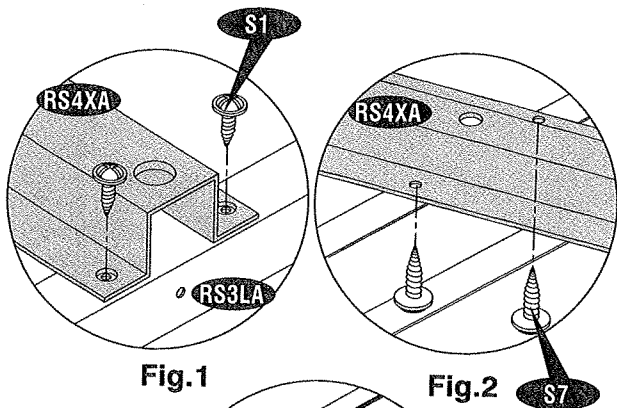


Fig.1

Fig.2

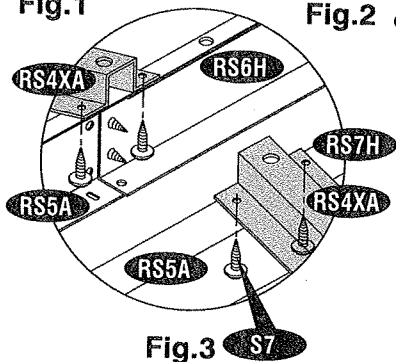
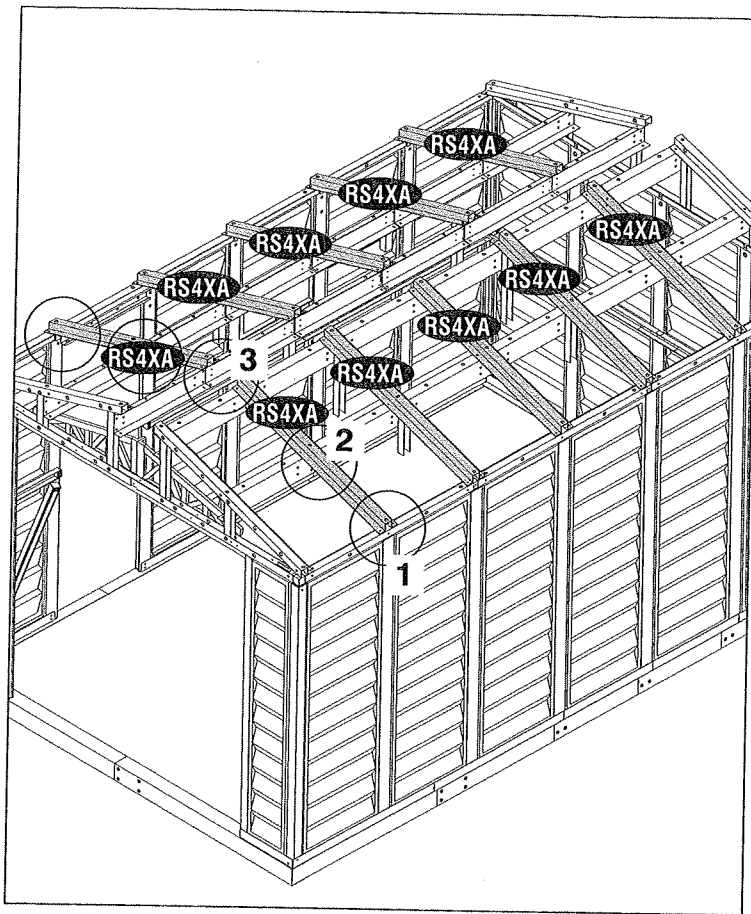
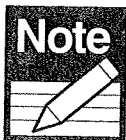


Fig.3



29. Attach roof structure support (RS10A) & (RS11A) to roof structures (RS5A), (RS6H) & (RS7H) using (S1) screws. See fig.1,2&3.



Note Make sure the hole in (RS10A) facing outside on the both side.

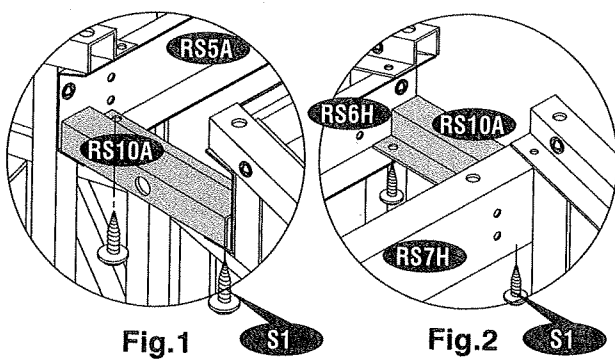


Fig.1

Fig.2

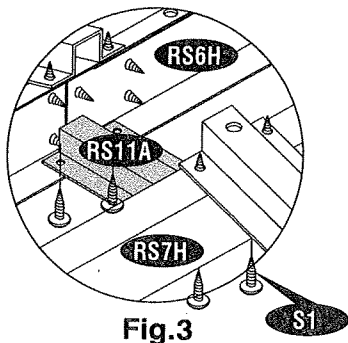
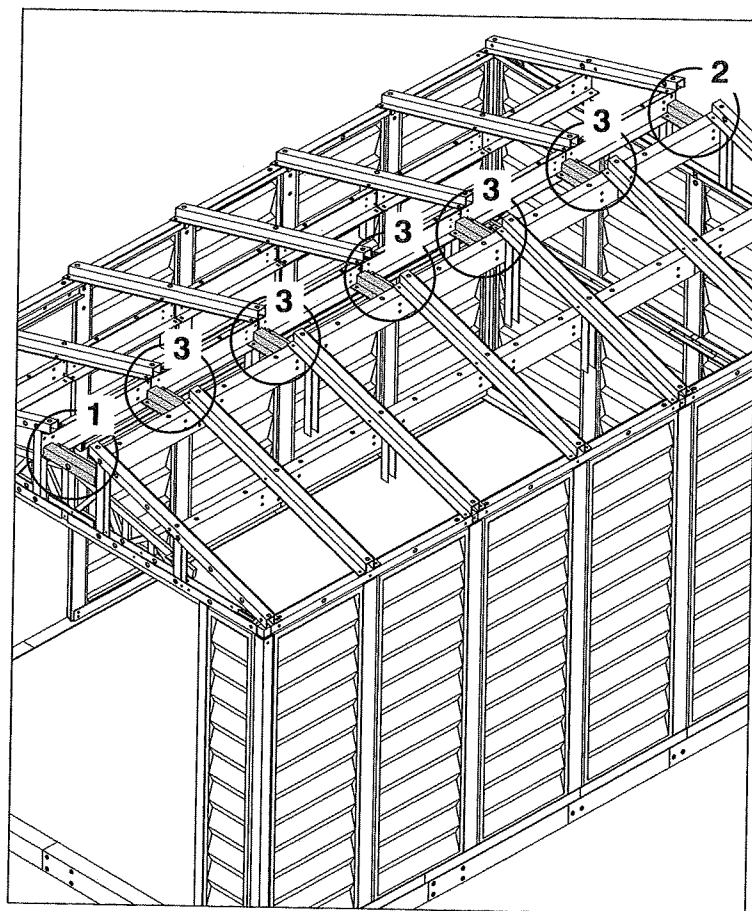
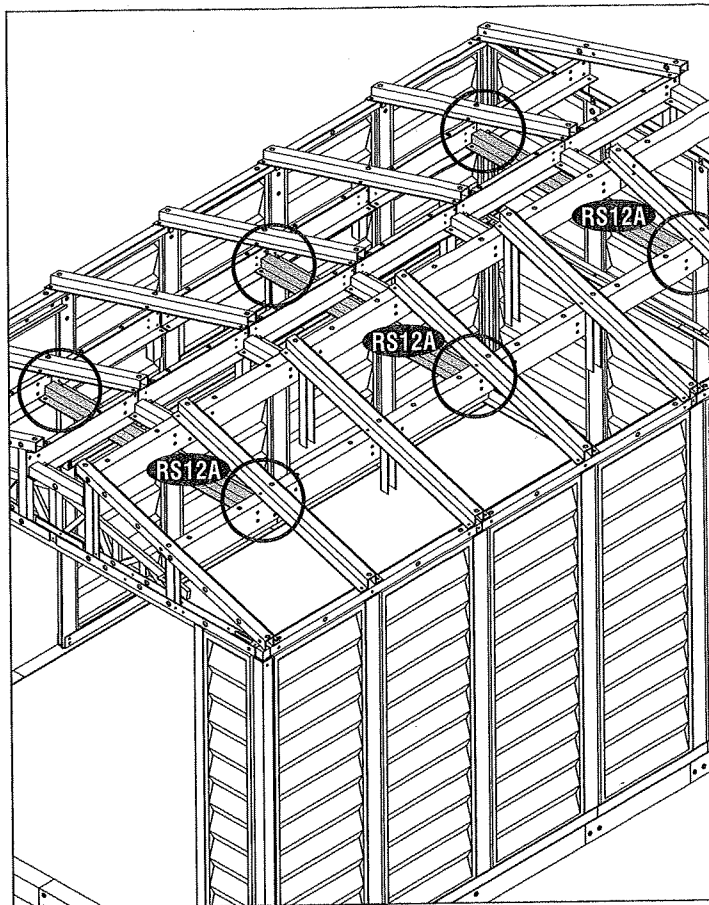
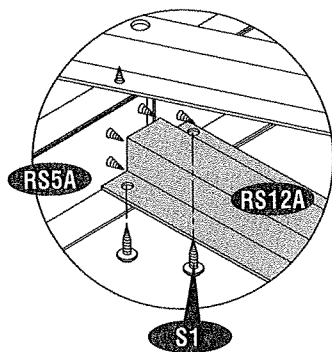


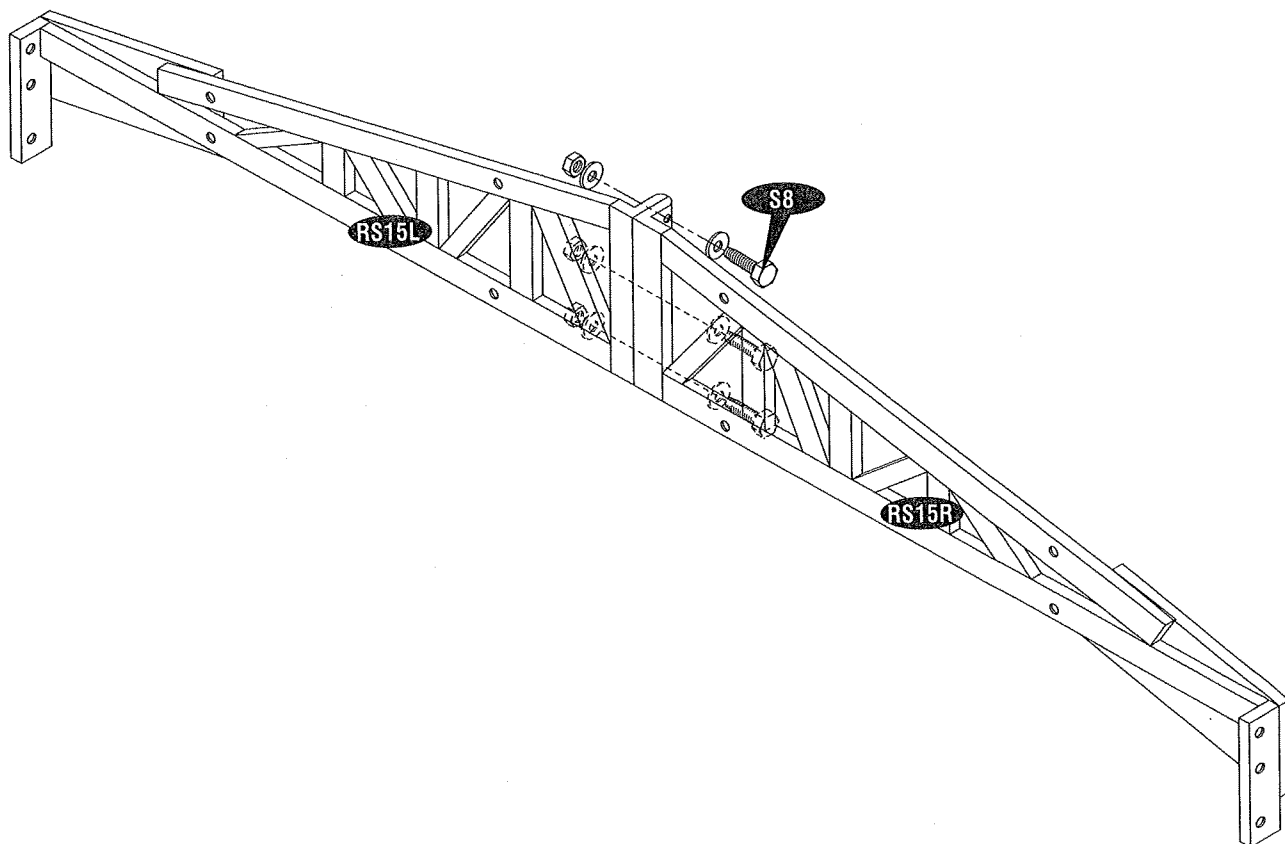
Fig.3



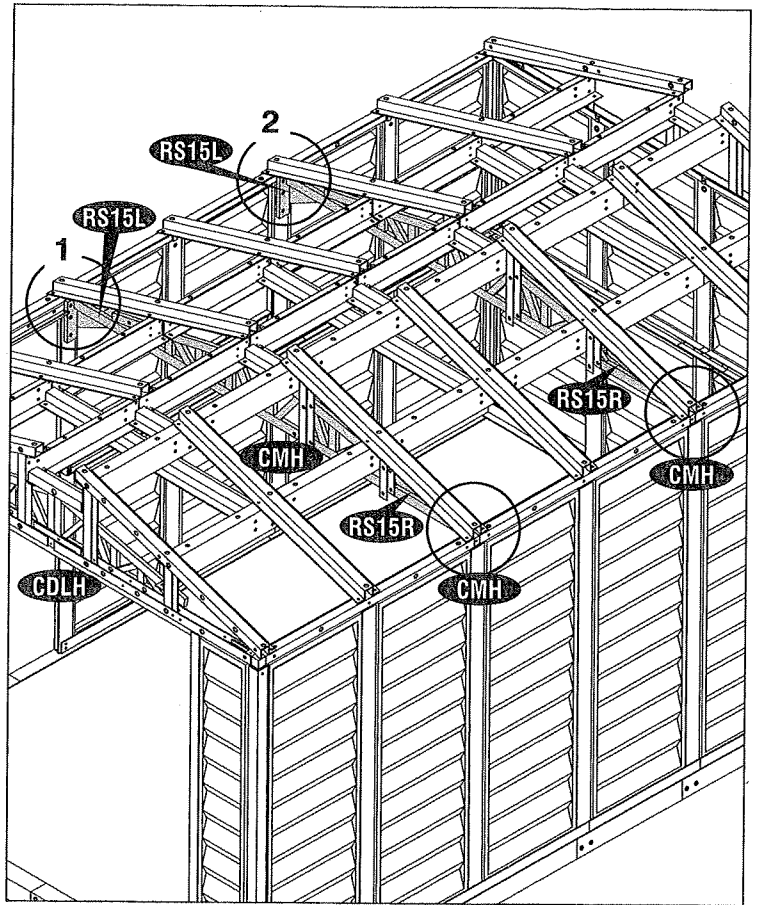
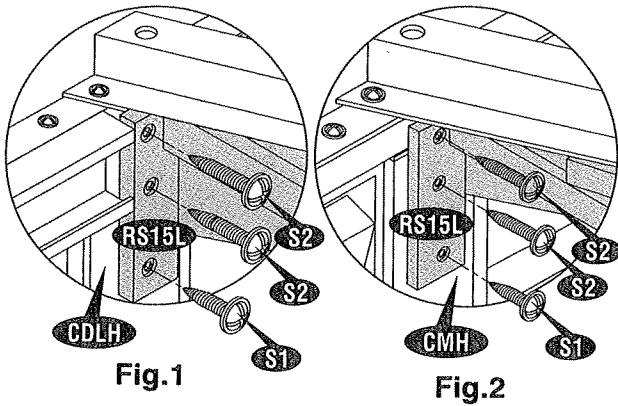
30. Attach the roof structure support (RS12A) with (RS5A) to (RS5A) and (RS6H) to (RS7H) with (S1) screws.



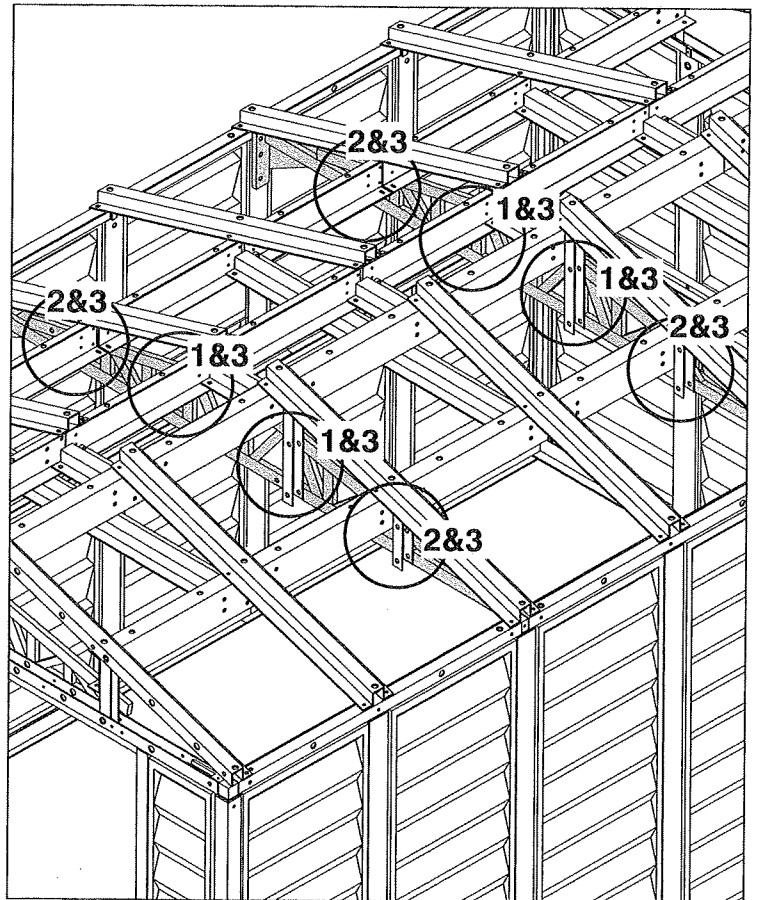
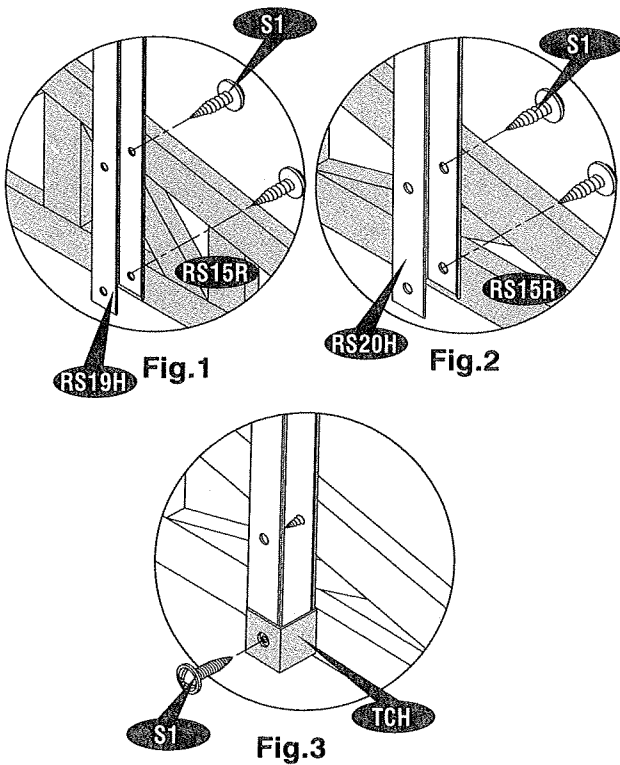
31. Assemble the roof structure support (RS15L) & (RS15R) together with (S8) bolt & nut with



32. Fix the assembled roof structure support (RS15L) & (RS15R) to the column (CMH) & (CDLH) with (S1) & (S2) screws. See fig.



33. Attach the roof structure support (RS15L) & (RS15R) assembly to (RS19H) & (RS20H) with (S1) screws. See fig.1&2.
Fix the cover (TCH) at the bottom of (RS19H) & (RS20H) with (S1) screws. See fig.3.



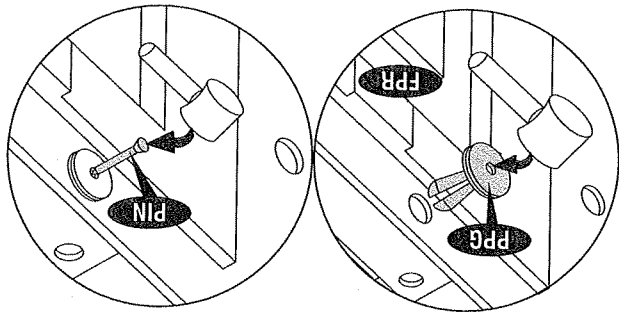
D. Roof panels

Parts Needed:

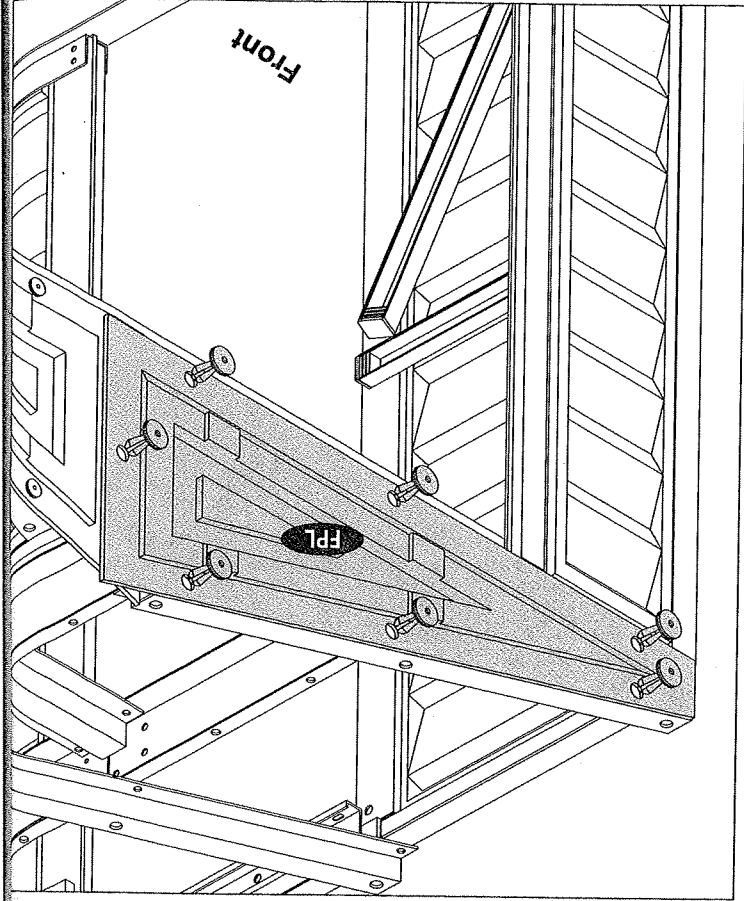
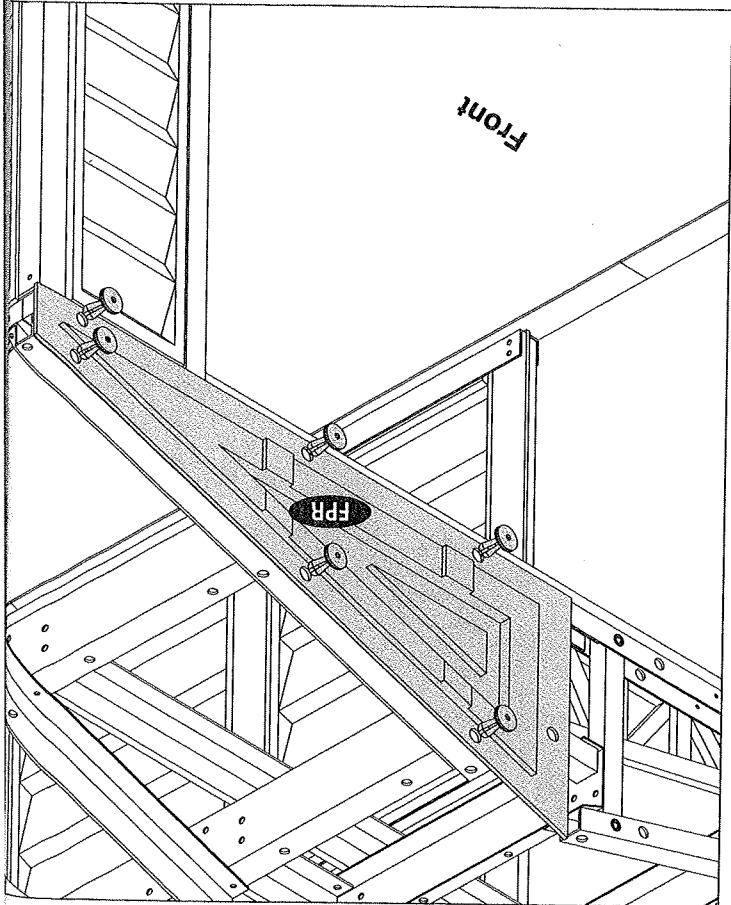
- (12) Roof Panels
- (2) Facia Panel Left (FPL)
- (2) Facia Panel Right (FPR)
- (6) Ridge Cover Small (RRS)
- (128) Root Plug with Washer (PPG)
- (128) Root Pin (PIN)
- (24) Sagging Support (RS14A)

1. Place facia panel (FPR) to front roof structure right side. Line up the holes with roof structure and fix the roof plugs with washer (PPG). Use a hammer (rubber mallet) to drive in root pin (PIN). See fig.1&2.

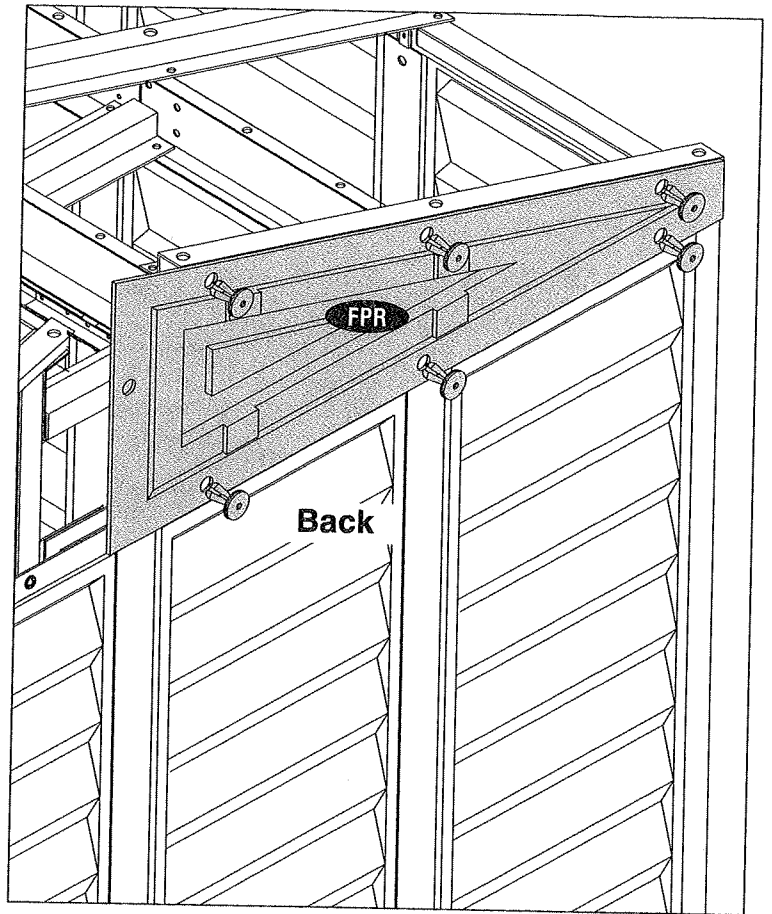
TIP
First insert all roof plugs with washers to the panels (left & right) then drive in the roof pins.



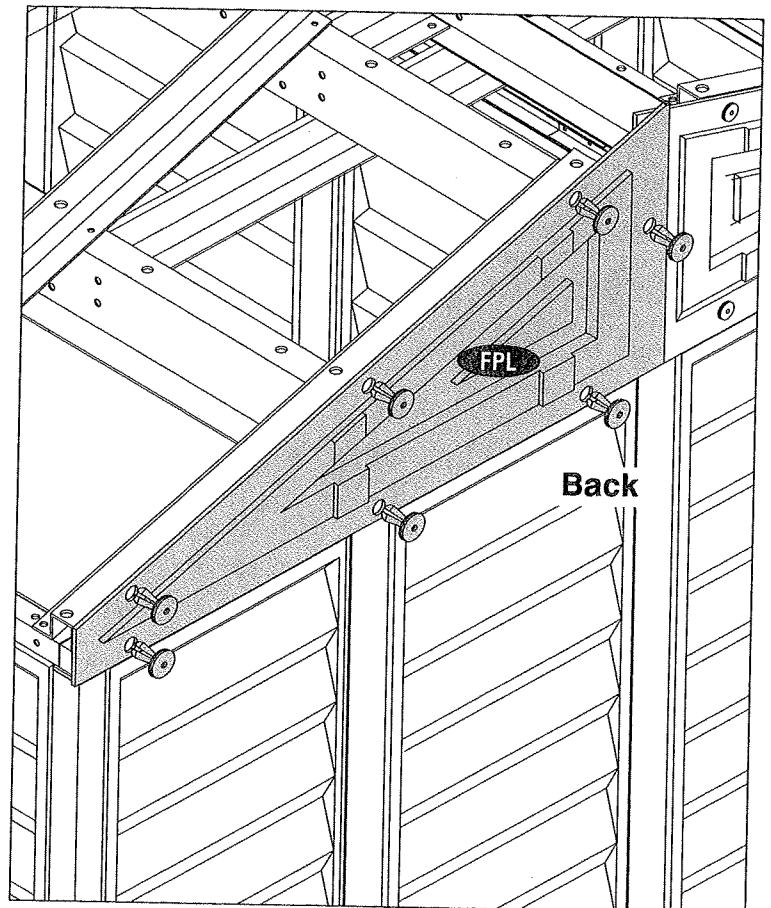
2. Place facia panel (FPL) to front roof structure left side. Make sure (FPL) overlaps on (FPR). Repeat the same step 1.



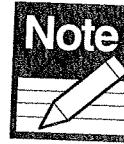
3. Place facia panel (**FPR**) to back roof structure right side. Repeat the same step 1.



4. Place facia panel (**FPL**) to back roof structure left side. Repeat the same step 1.

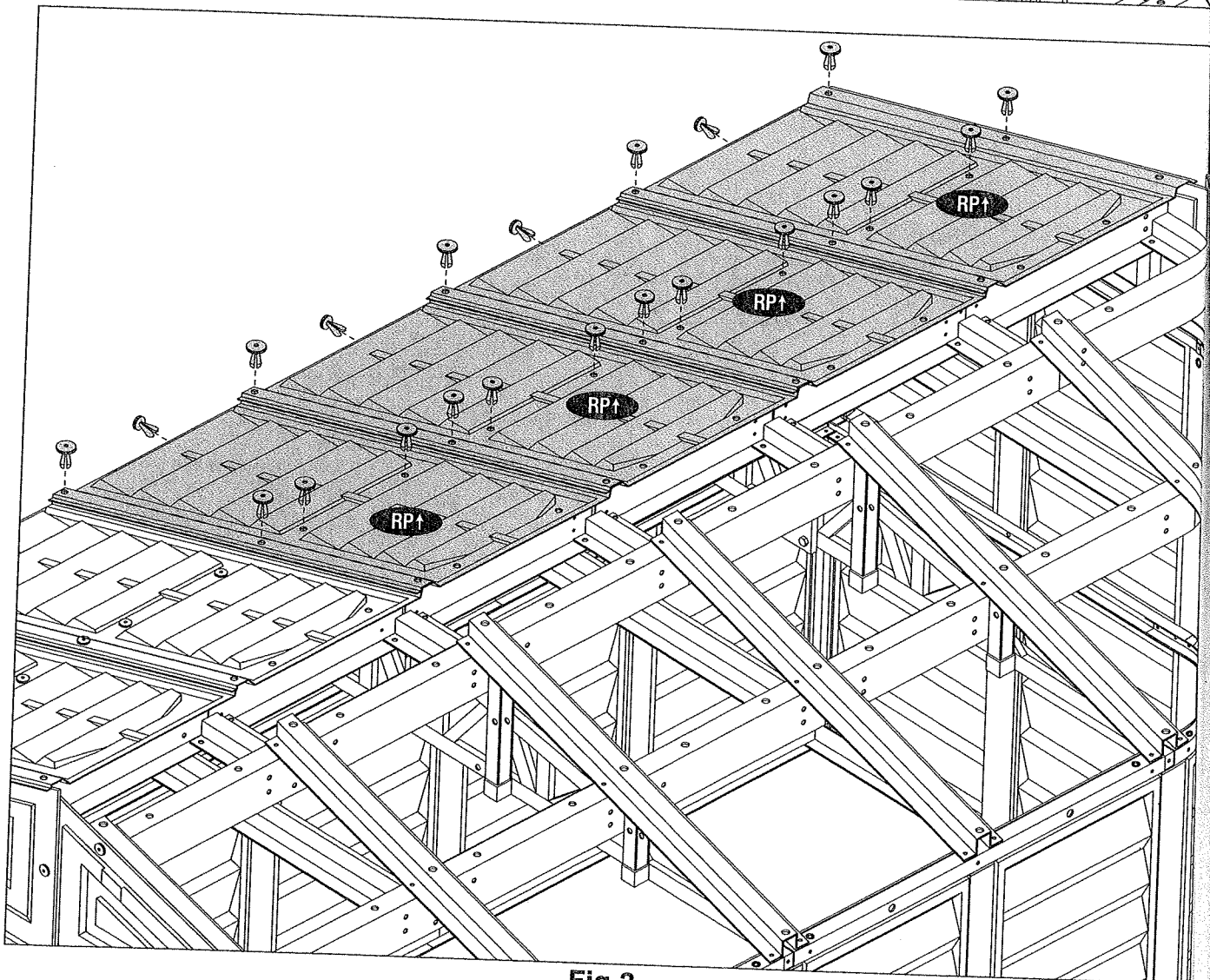
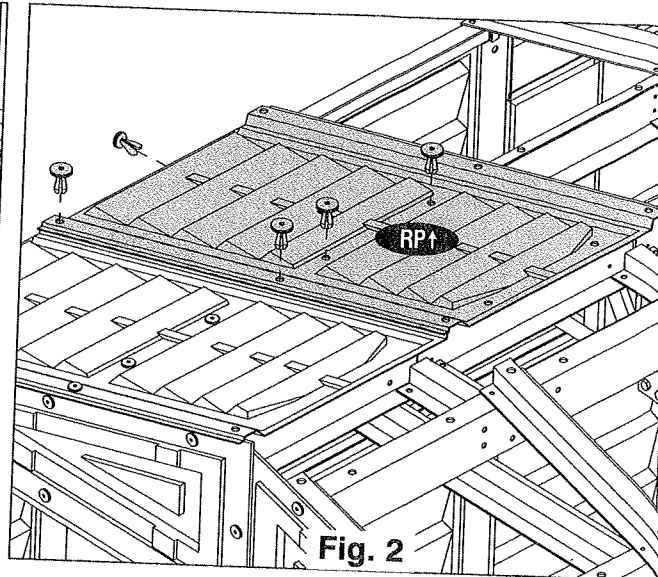
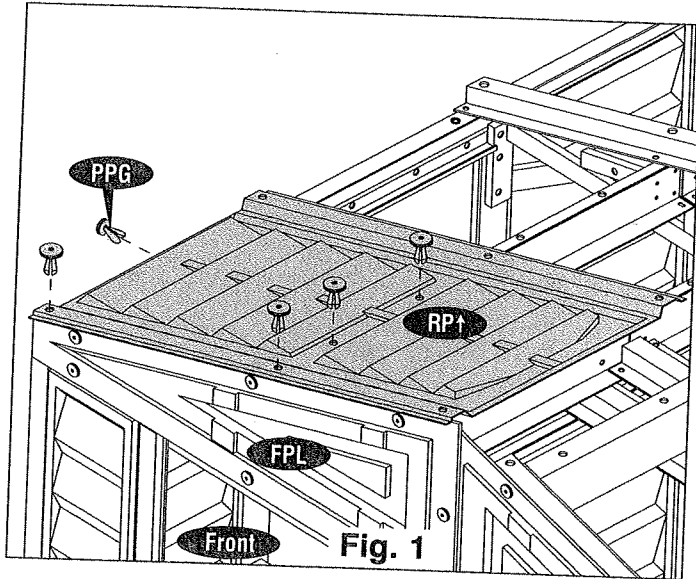


5. Start attaching the roof panels from (FPL) corner side by sliding the roof panel (RP↑) to roof structure. Locate the hole positions of the roof panel and roof structure. Fix roof plug with washers. Use a hammer to drive in roof pins. See fig.

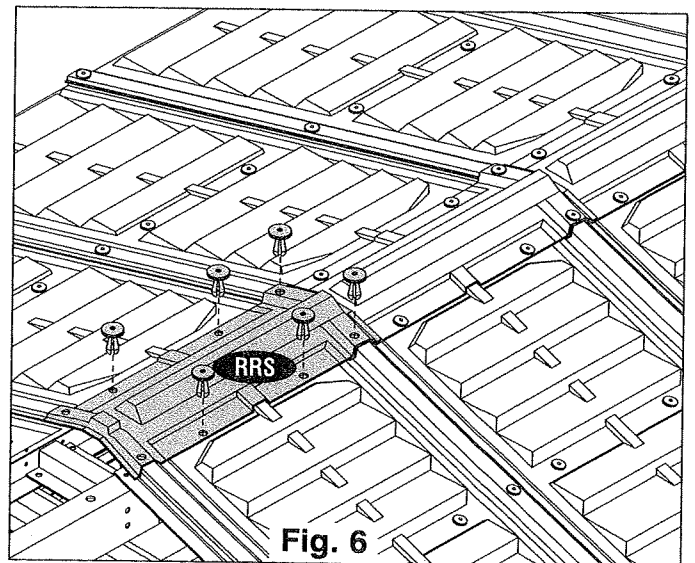
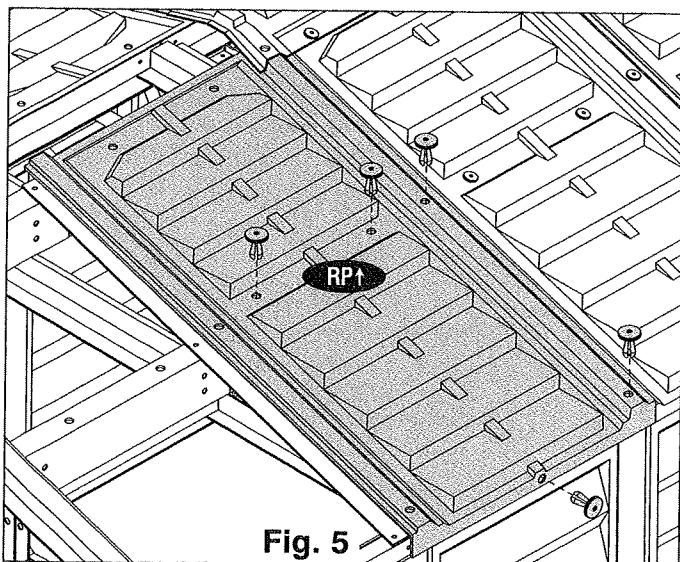
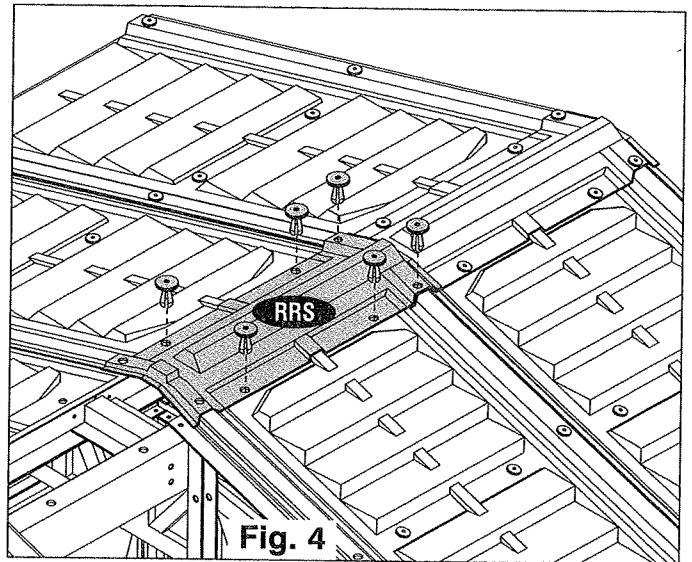
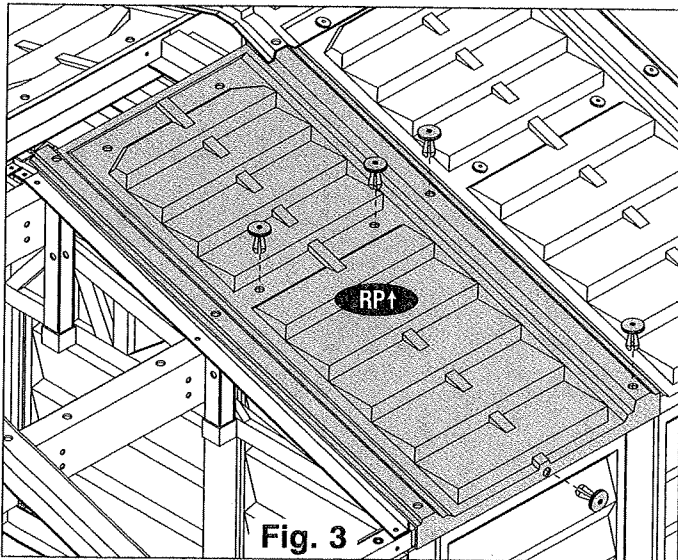
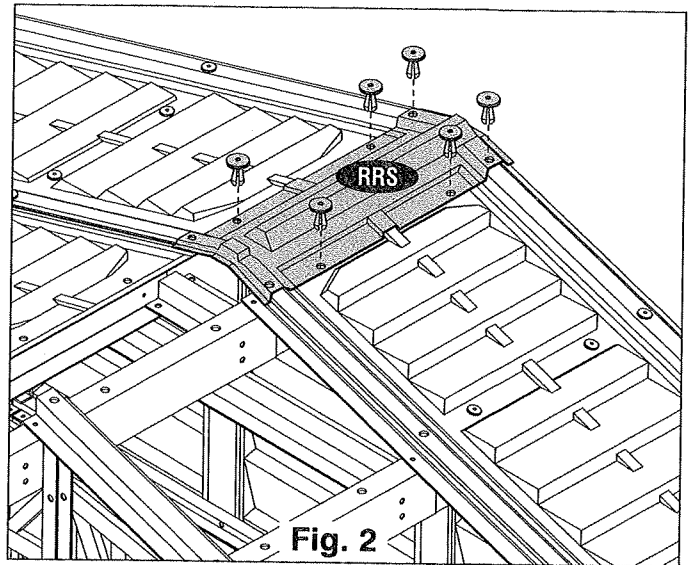
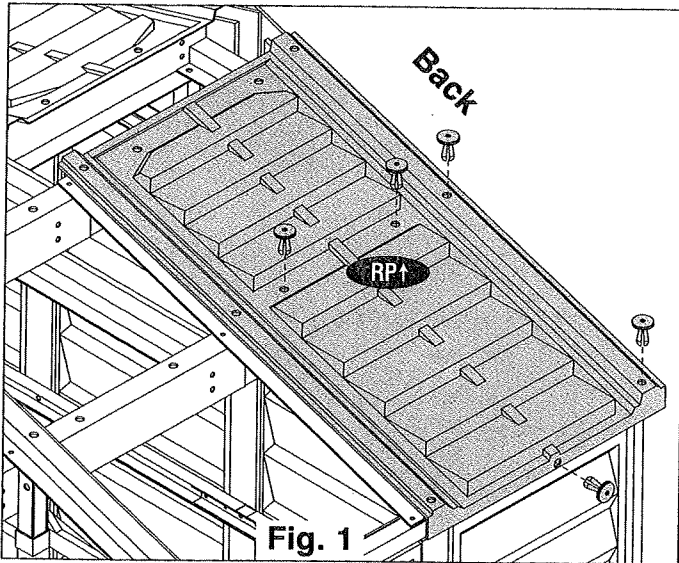


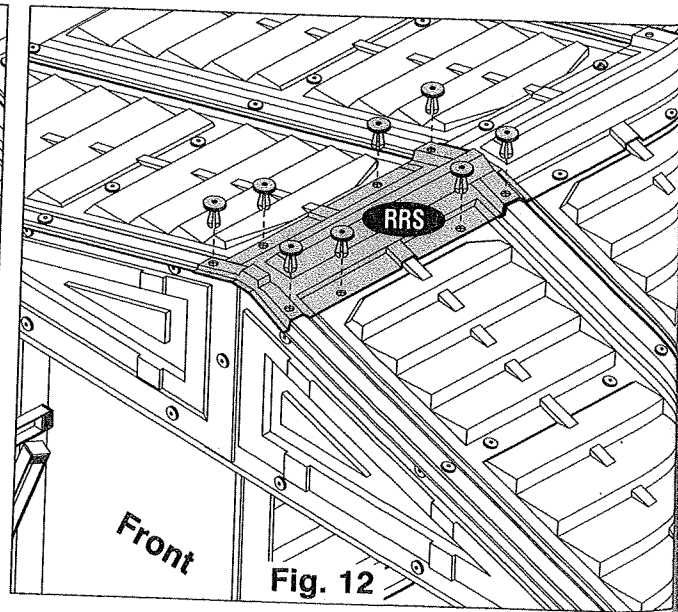
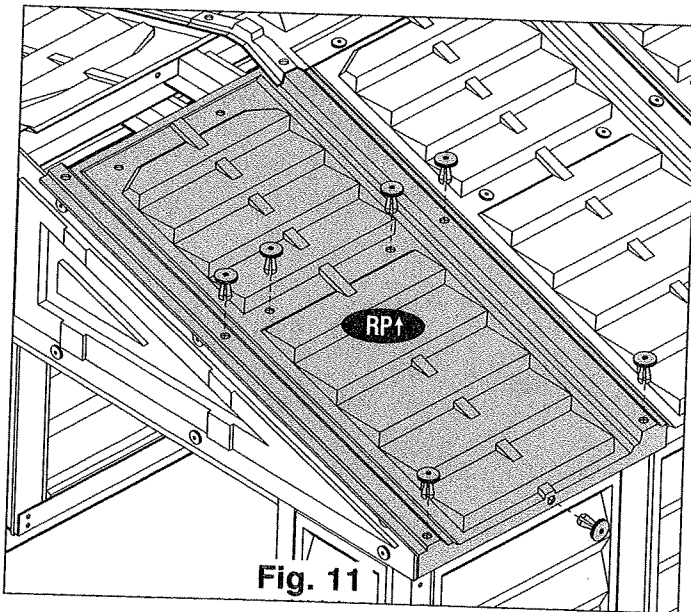
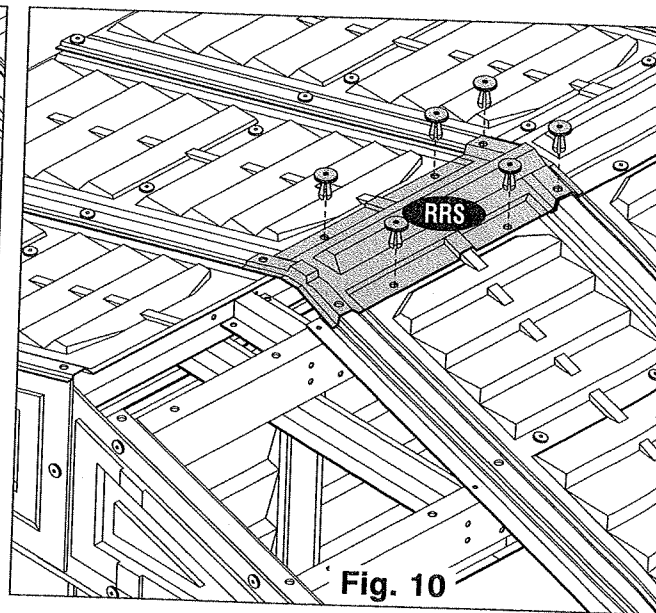
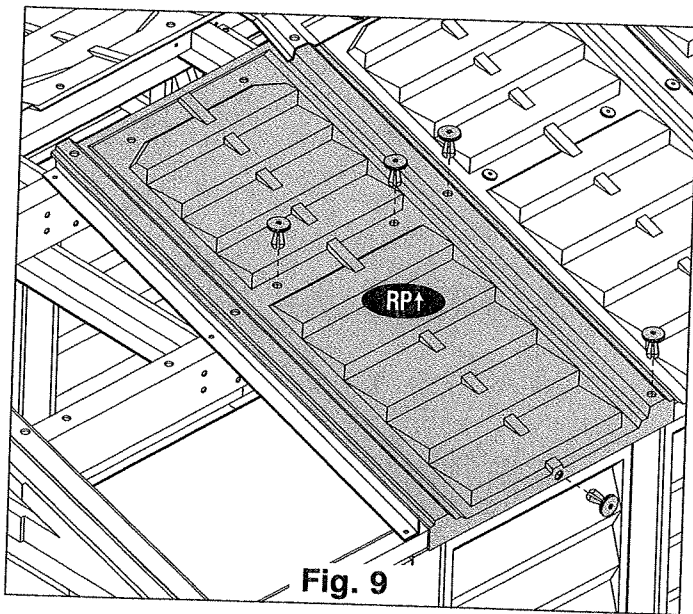
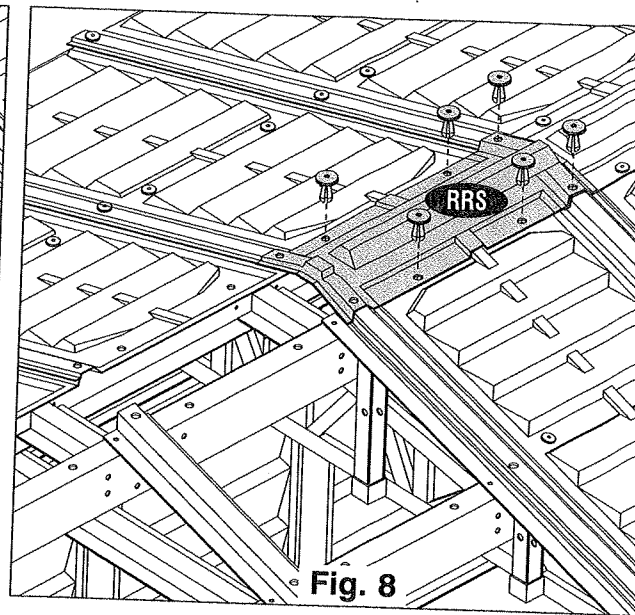
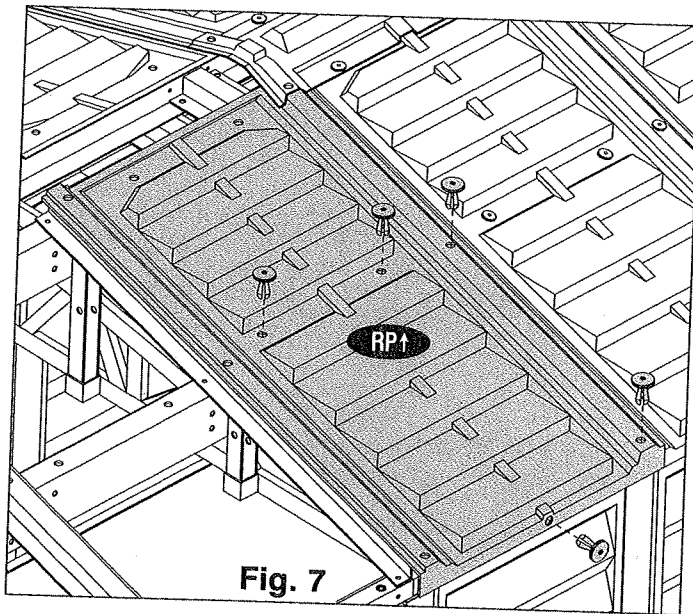
Note Use a screw driver to align the holes.

Insert roof plugs into roof panels only as indicated.



6. Continue to attaching the roof panels from back right. After fixing each roof panel attach each ridge cover (RRS). See fig. and follow the steps.





7. Insert the sagging support (**RS14A**) from inside the shed by sliding in between roof structure (**RS5**) and roof panel until it reaches (**RS3**) roof structure for each panel. See fig.1.

8. Insert the sagging support (**RS14A**) from inside the shed by sliding in between roof structure (**RS5**) and roof panel until it touches the other roof structure (**RS5**). See fig.2.

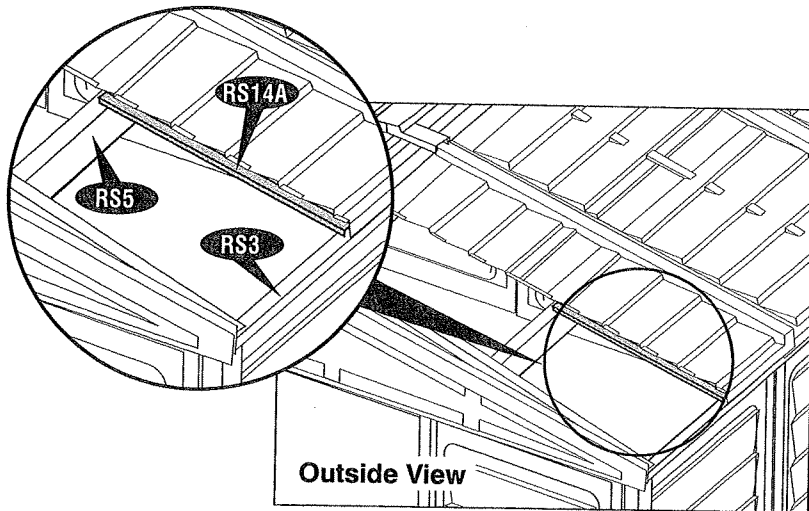


Fig. 1

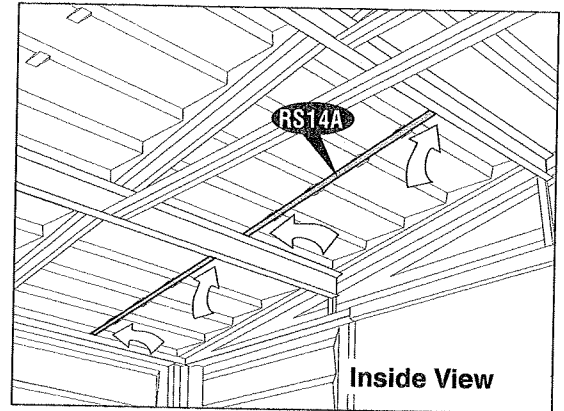


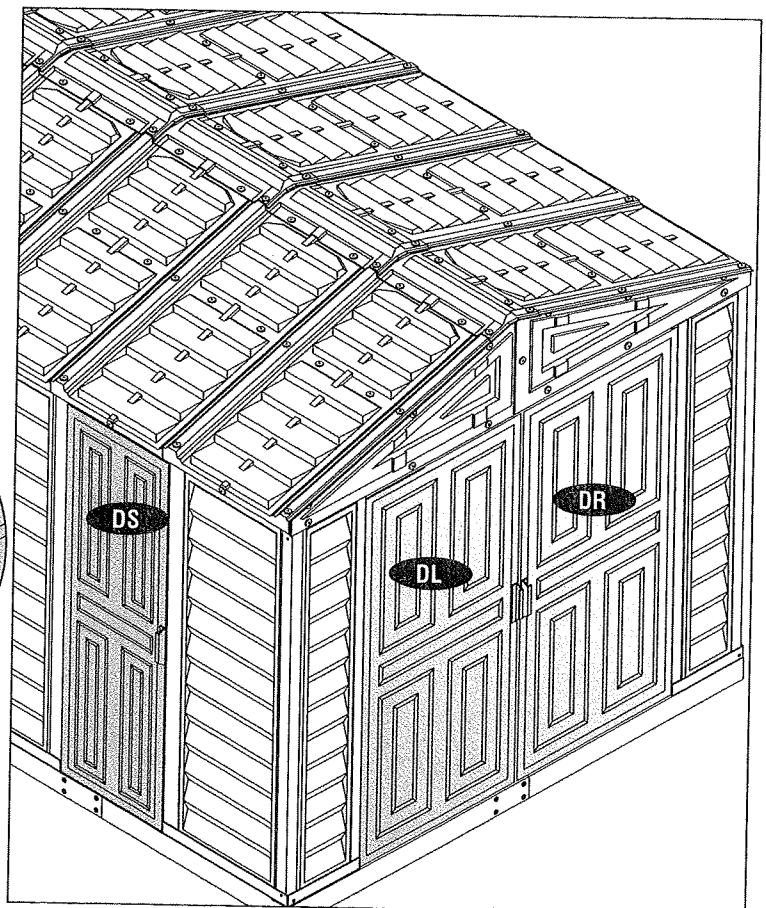
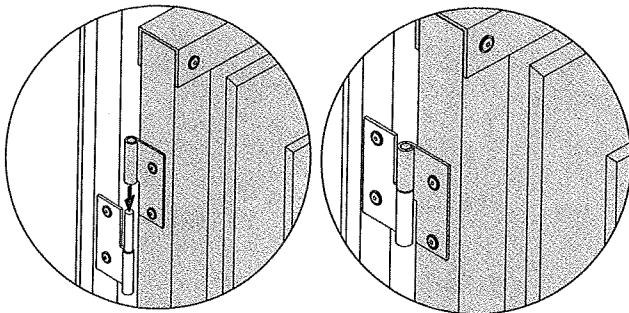
Fig. 2

E. Doors

Parts Needed:

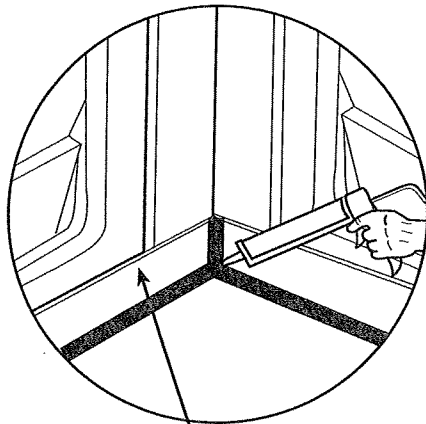
- | | |
|----------------|------|
| (1) Door Left | (DL) |
| (1) Door Right | (DR) |
| (1) Door Small | (DS) |

1. Attach the doors with loose pin hinges on door columns. See fig.

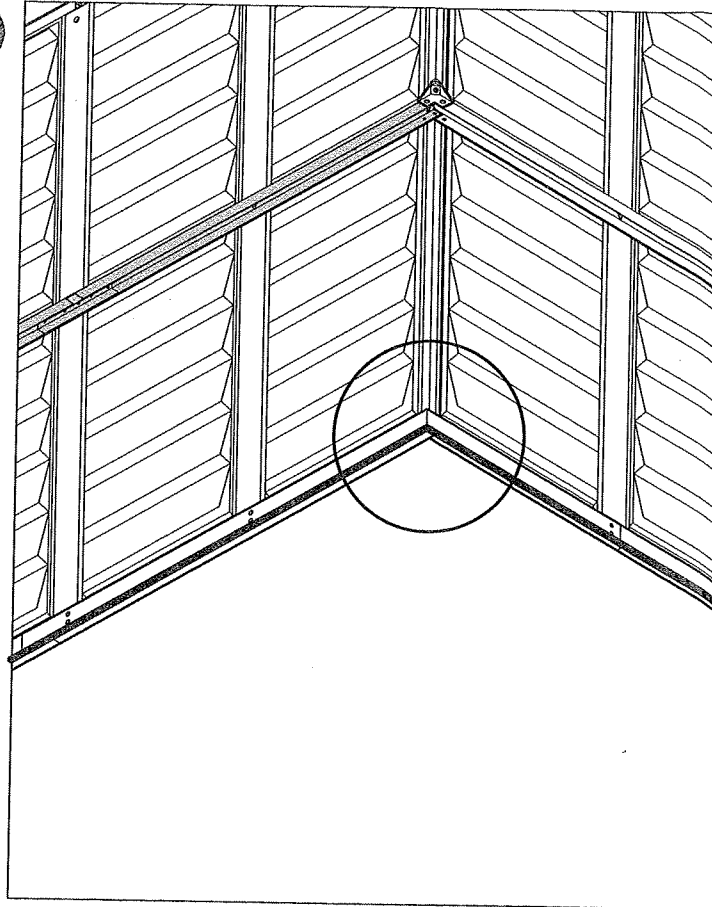


Note: To prevent water leakage it is important that these instructions are followed.

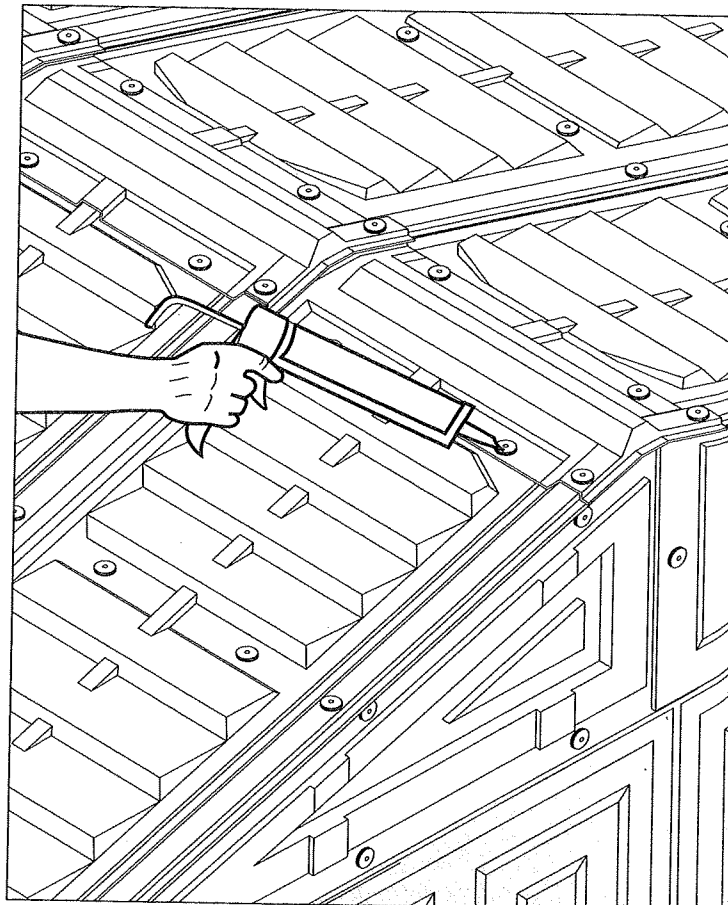
1. After completing the assembly apply silicone around the perimeter of the base U-channel. Seal the corners, joints and base of door column



Base U-channel



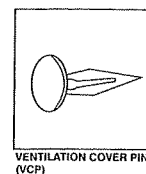
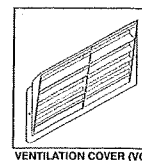
2. After completing the panel assembly, apply silicone around the roof plugs. This is optional and should be done for heavy rain areas if needed.



Optional Ventilation Kit

ACCESSORIES

CODE	DESCRIPTION	QTY
VC	VENTILATION COVER	2
VCP	VENTILATION COVER PIN	4

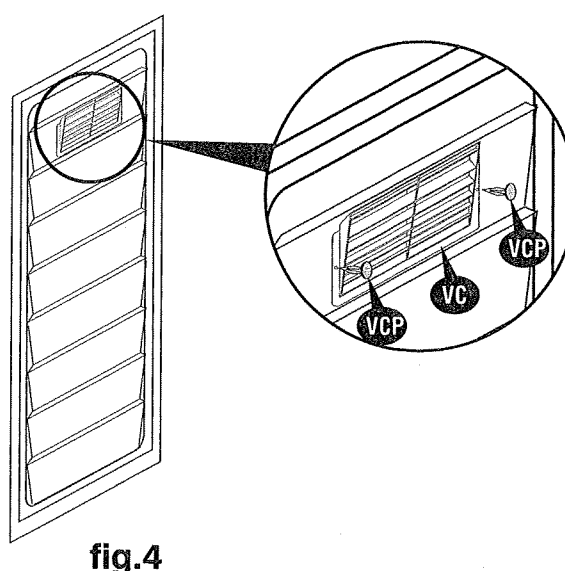
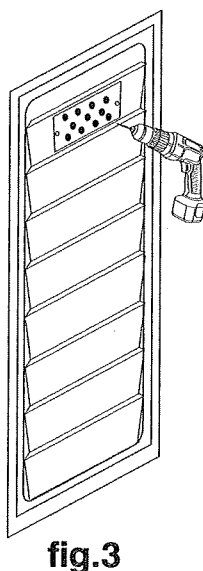
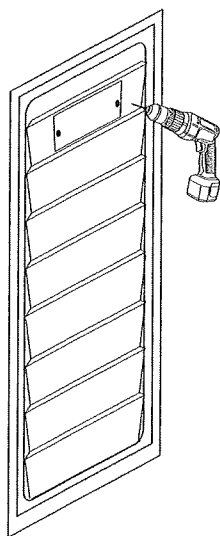
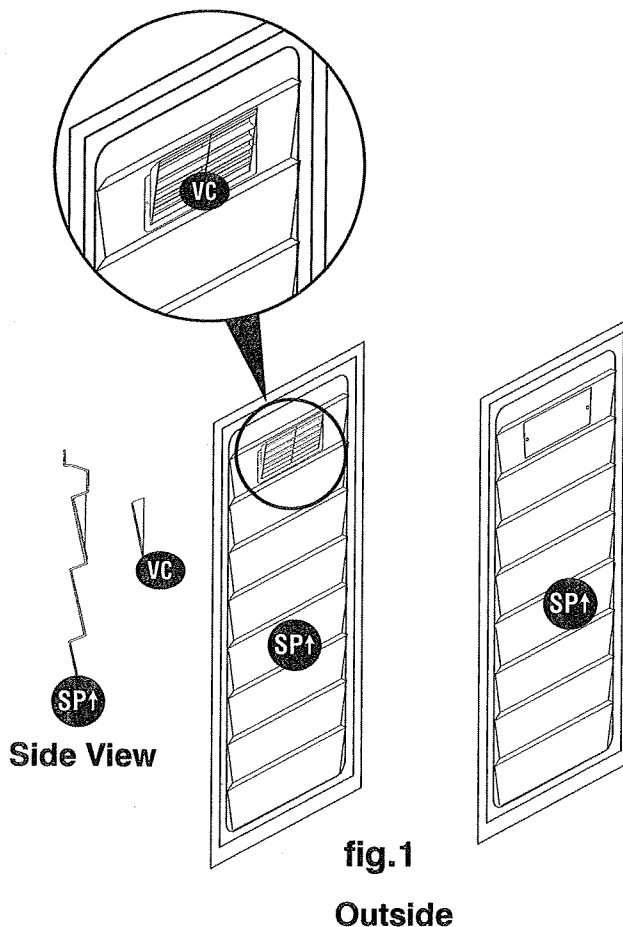


TOOLS YOU WILL NEED

Power Drill
 Dia 5/32" (4.2mm) drill bit
 Dia 1/2" (12.5mm) drill bit

Optional ventilation kits can be installed on any of the wall panels. However, we recommend mounting them on the top of the shed's back wall.

1. Place the **ventilation cover (VC)** as shown in fig.1. Using a pencil, mark the two side hole locations.
2. On the marked hole locations, drill out two holes using dia. 5/32" (4.2mm) drill bit as shown in fig.2. These holes will be used to attach the ventilation cover with the **ventilation cover pins (VCP)**.
3. Use a dia. 1/2" (12.5mm) drill bit to drill out as many holes as desired behind the ventilation cover mounting area as in fig.3.
4. Attach the **ventilation cover (VC)** with the **ventilation cover pin (VCP)** as in fig.4.
5. Repeat the same to fix the second ventilation cover.



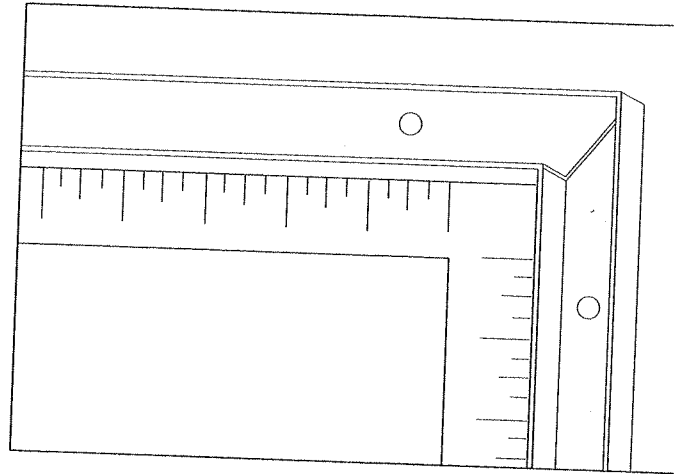
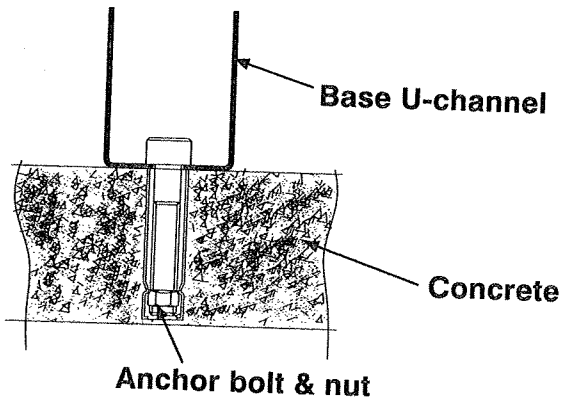
High wind area installation instructions

Note: To ensure that your shed withstands high winds, you will need the following reinforcement.

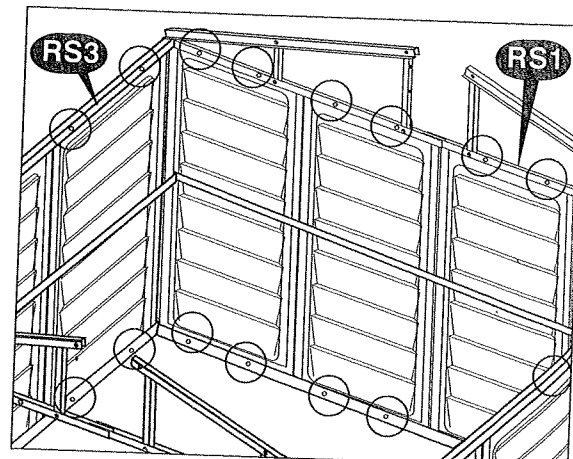
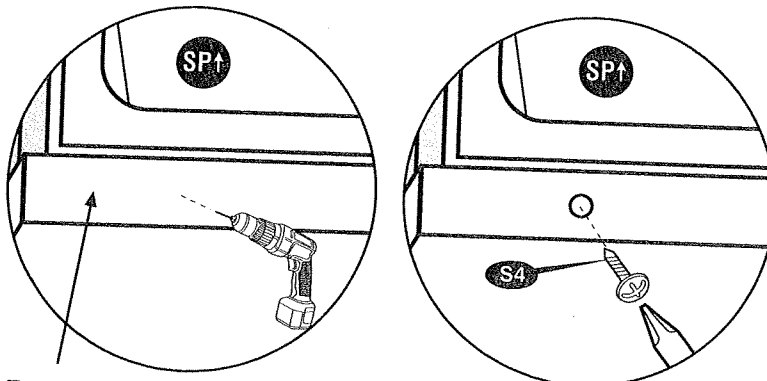
Parts needed:

CODE	DESCRIPTION	QTY
S4	DIA. 4.2 x 16mm. (5/32" x 5/8") SHEET METAL SCREW	48 (not included with shed)
S5	M6 x 40mm. (1/4" x 1 1/2") Anchor bolt with nut	32 (not included with shed)

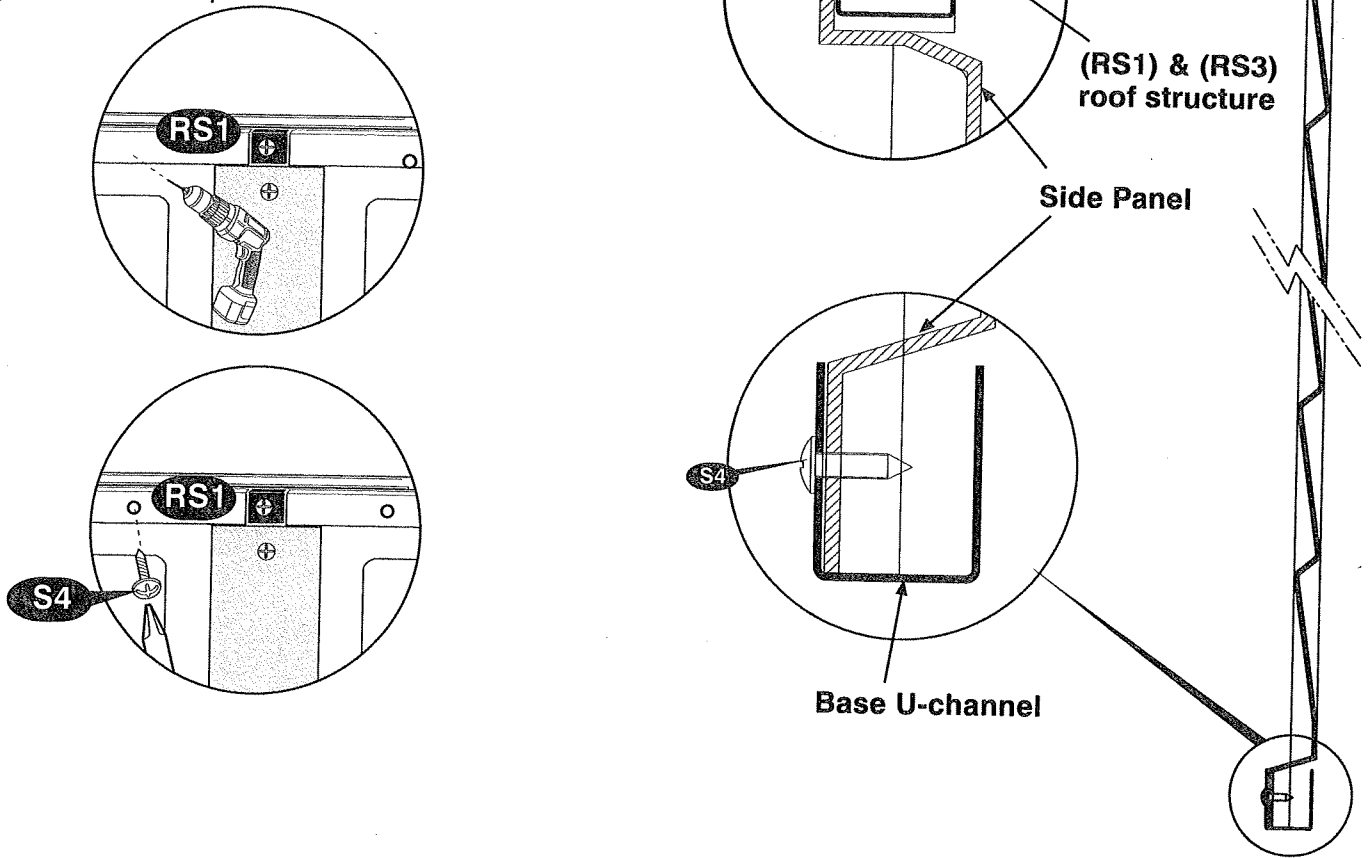
1. Shed or shed foundation should be placed on concrete footing by use of anchor bolt and nut. Using a carpenters square, line up corners. Align U-Channel base, mark the concrete through the holes in the base and drill concrete with 1/2" (dia. 12.5mm) concrete bit to accept anchor bolts to a 1 3/4" (44mm) depth. Replace base and secure with 1/4" x 1 1/2" (M6 x 40mm) anchor bolts. See fig.



2. Attach each side panel (SP↑) on the bottom to the U-channel base. Using a dia. 3mm (1/8") drill with a power drill, make two equal distance holes on the U-channel base through the side panel. Drive a self tapping screw (S4) through the base U-channel to the side panel. Repeat this for every side panel. See blowup.

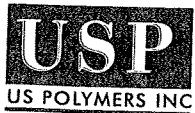


3. Attach each side panel (SP↑) on top to the roof structure (RS1) and (RS3). Using a dia. 3mm (1/8") drill with a power drill, make two equal distance holes on the side panel through the roof structure. Drive a self tapping screw (S4) through the side panel to the roof structure. Repeat this for every side panel. See blowup.



Important Warranty Information

The Duramax shed has been tested and passed wind loads of up to 115 mph in a controlled laboratory environment. Natural high wind areas create wind at unpredictable speeds that are very difficult to capture accurately by location. As such we cannot guarantee the performance of the shed in these extreme situations.



U.S. Polymers, Inc.
6915 Slauson Avenue
Commerce, CA 90040
United States of America
