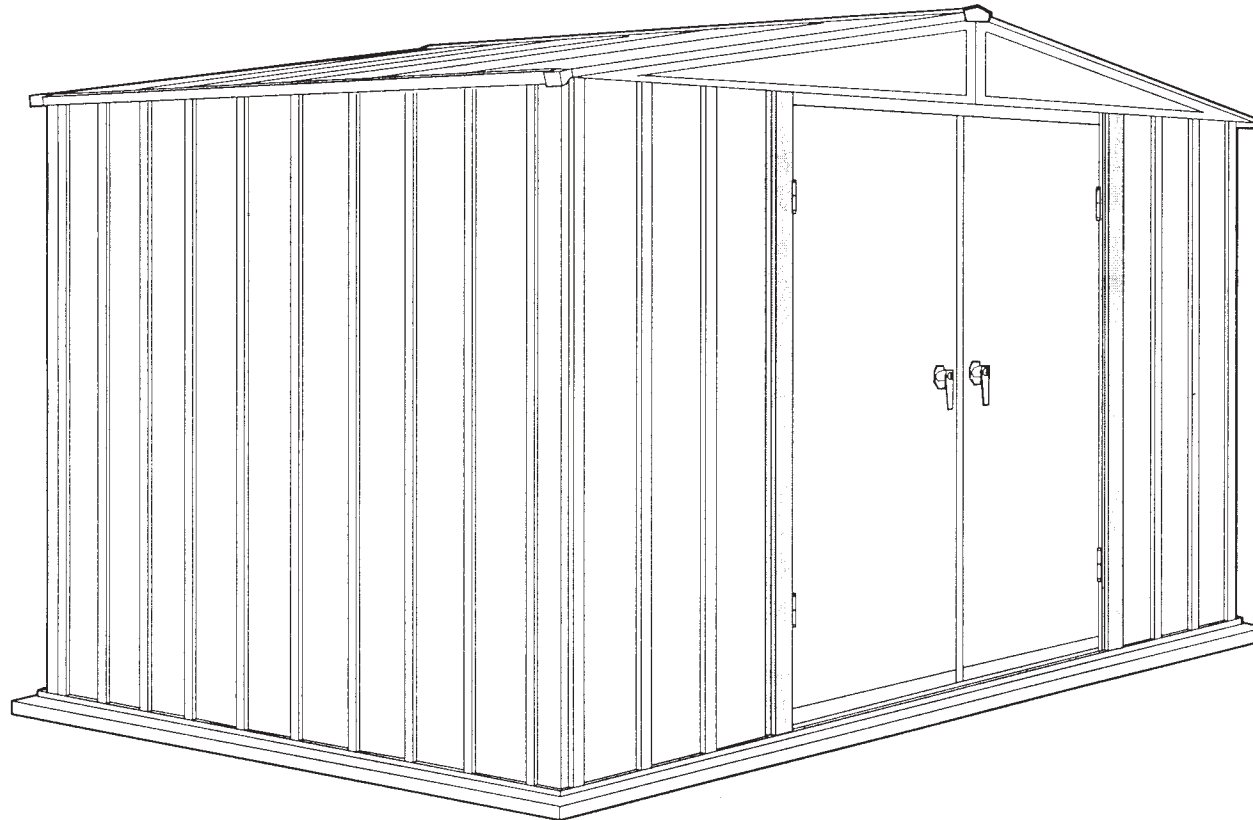


Assembly Manual



HS 108 697.68408

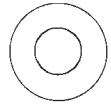


710771298

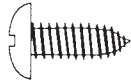
Building Dimensions:											
Approximate Size	Foundation Size	Storage Area		Exterior Dimensions: (Roof Edge to Roof Edge)			Interior Dimensions: (Wall to Wall)			Door Opening	
		Sq. Ft.	Cu. Ft.	Width	Depth	Height	Width	Depth	Height	Width	Height
10' x 8'	122 1/4" x 94"	74	413	123 1/4"	95 1/4"	72 7/8"	118 1/4"	90"	71 5/8"	53"	58 1/2"

Hardware

Hardware included in hardware bags.



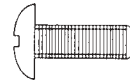
Washer
(Sheets)



#10 x 1/2"
Tap Screw



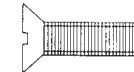
#10 - 32
Machine Nut



#10-32 x 7/16"
Machine Screw



#10 x 1"
Tap Screw

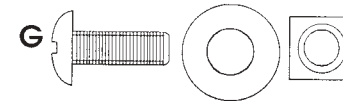
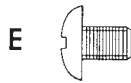
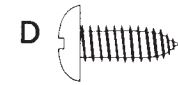
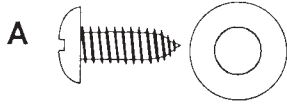


#10 - 32
Flat Head
Machine Screw

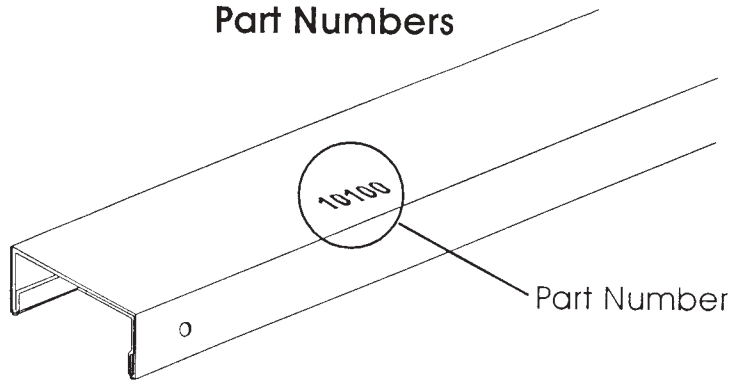


#8 - 32 x 1/4"
Machine Screw

Combinations of the hardware found in this manual.



Part Numbers



1. Parts are packed in order of assembly.
2. Each part has an identifying part number on it.
3. Part Numbers are referenced in each step.
4. Metal parts have a stamped in number & painted parts have a screened number.

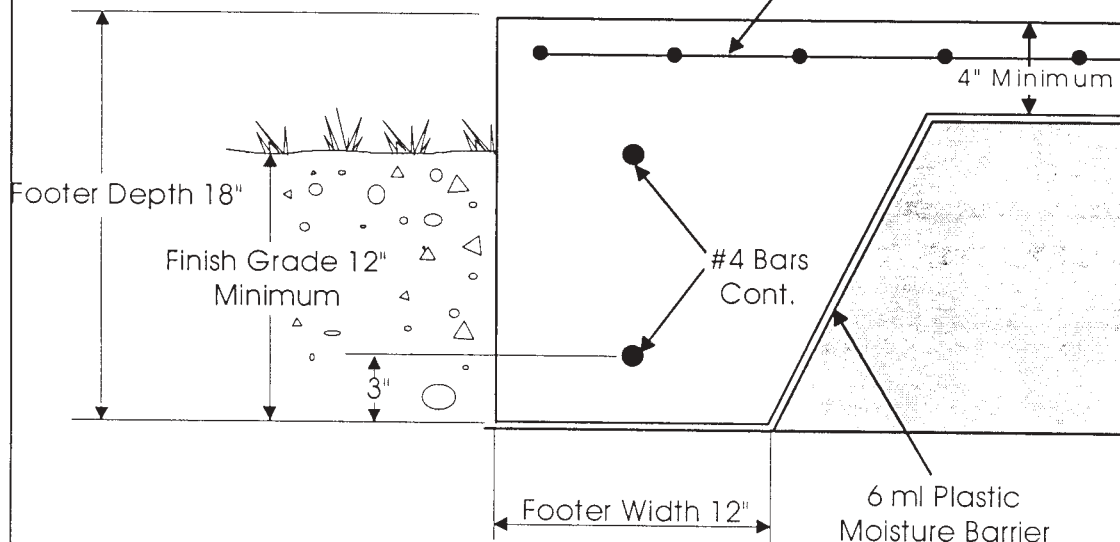


Foundation

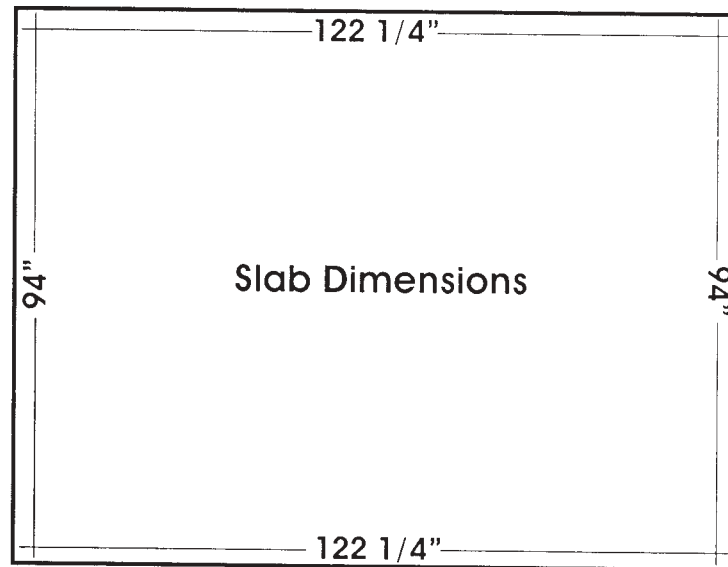
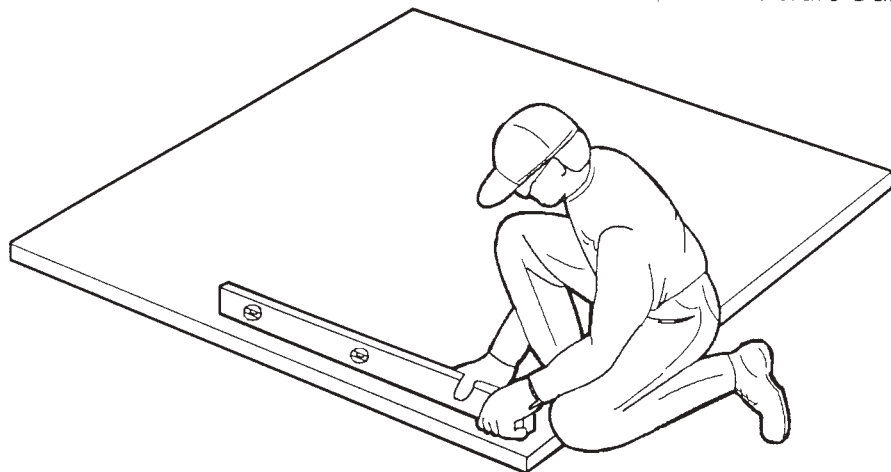
Local building codes vary by region, refer to your local codes for specifications.

Concrete Slab Requirements

6 x 6 - 10/10 Welded Wire Mesh
or #3 Bars at 18" O.C. each way



1. Select level site for building.
2. Remove soil for footers and slab.
3. Place 6 ml plastic over dirt.
4. Construct 2 x 4 form level and square.
5. Pour Concrete.

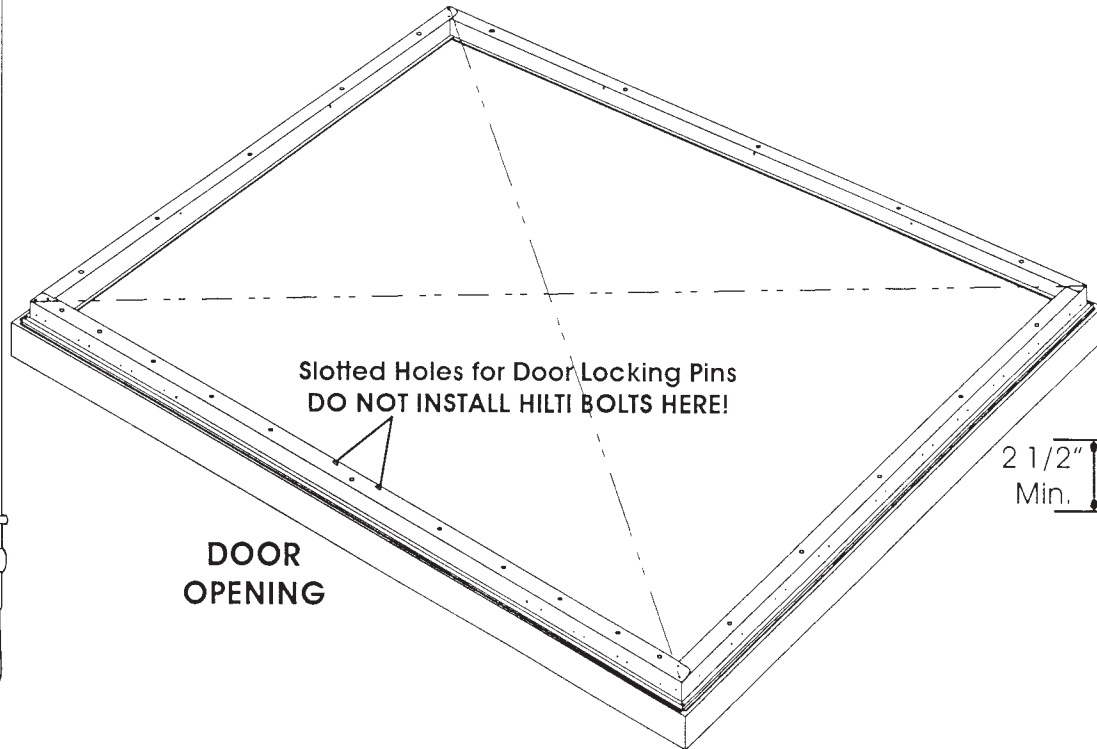
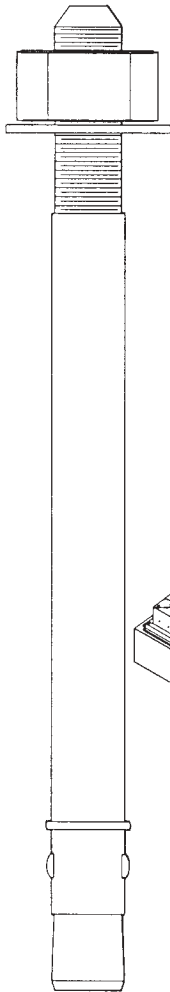


Step 1 Hilti Bolts

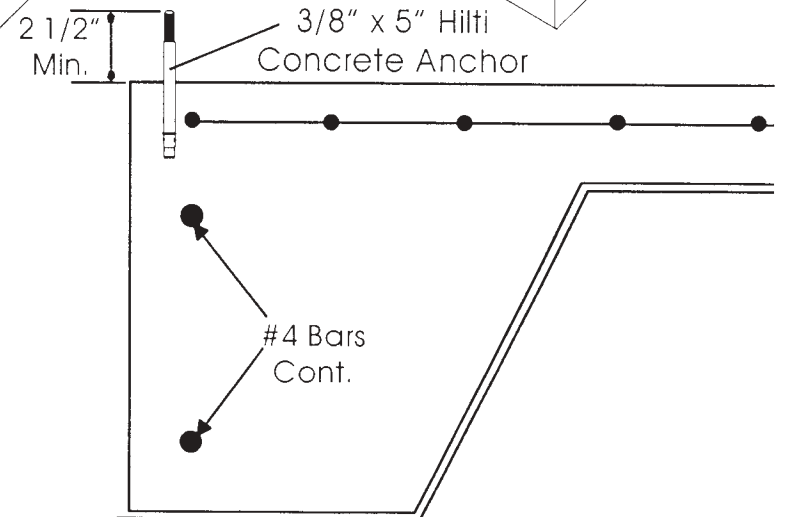
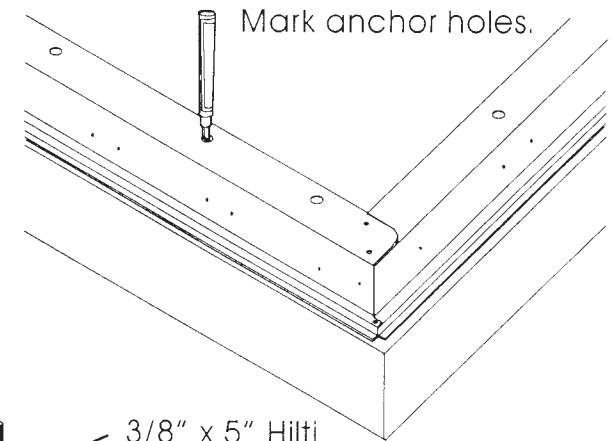


How to install Hilti Concrete Anchors *Must use 3/8" x 5" Hilti Kwik Bolt II* **Metro Dade County Approval #93-0224.04 - NOT INCLUDED**

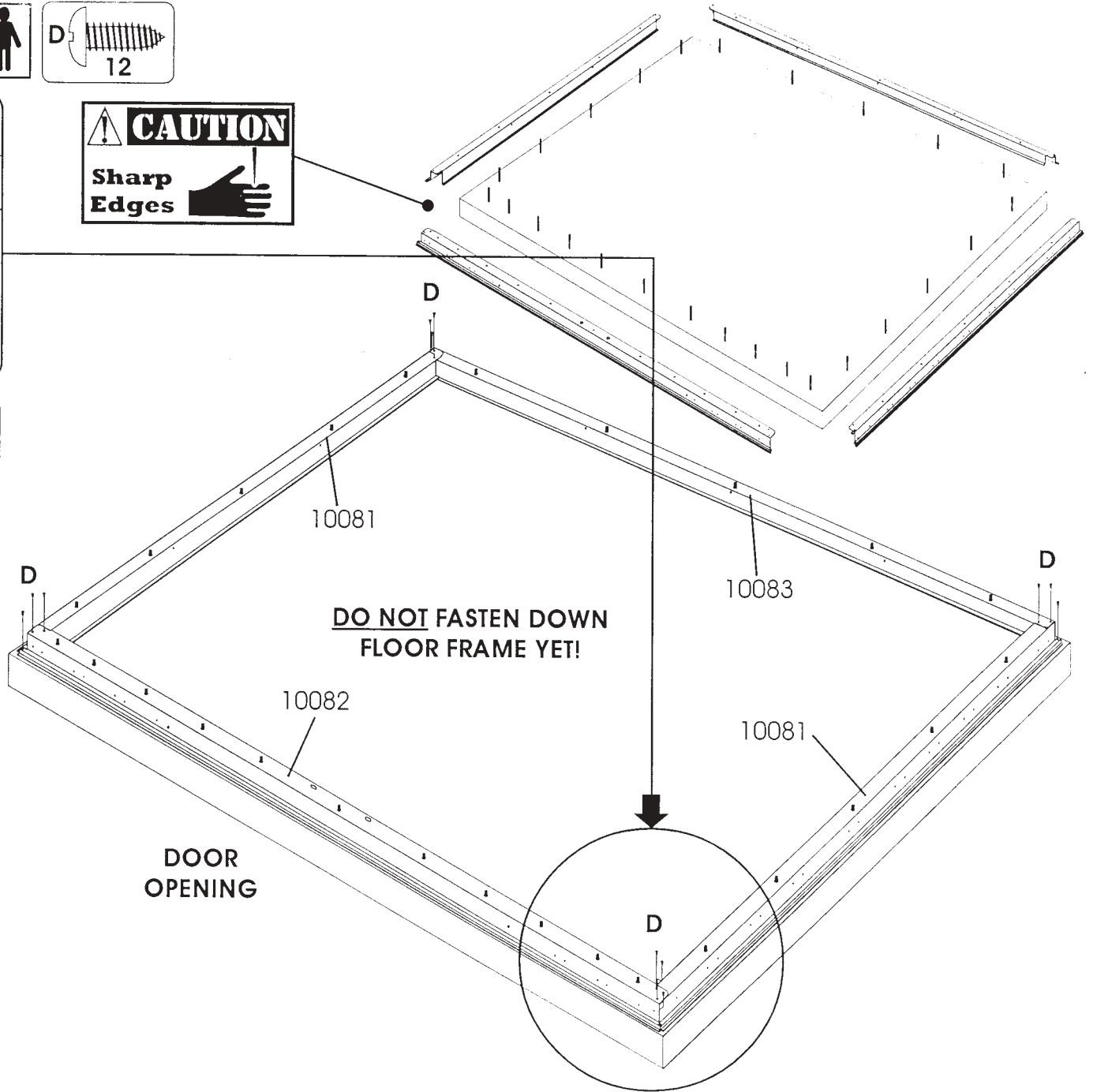
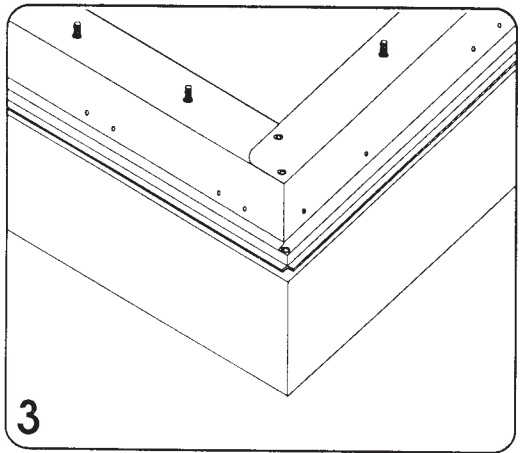
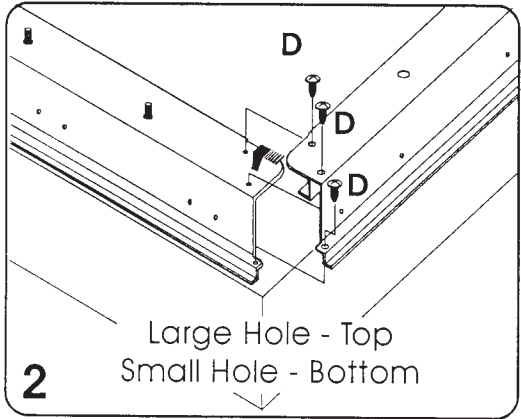
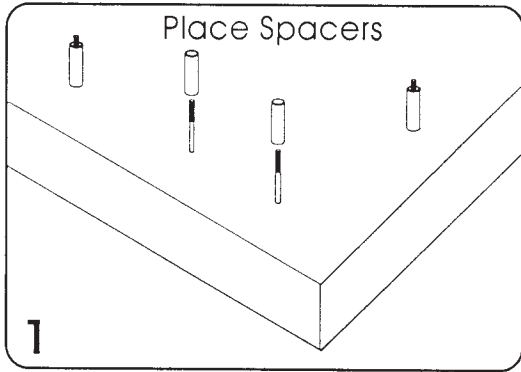
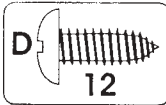
1. Lay Floor Frame together as if constructing, on top of concrete making sure it is square by measuring diagonally.
2. Mark Anchor Holes through top of Floor Frame.
3. Remove Frame pieces.
4. Drill anchor holes into concrete 2 1/2" deep.
5. Drive Hilti Anchor Bolts into concrete with hammer. (To protect threads place nut on Hilti Bolt before hammering. **NUT MUST BE REMOVED TO ALLOW ASSEMBLY OF BUILDING.**)



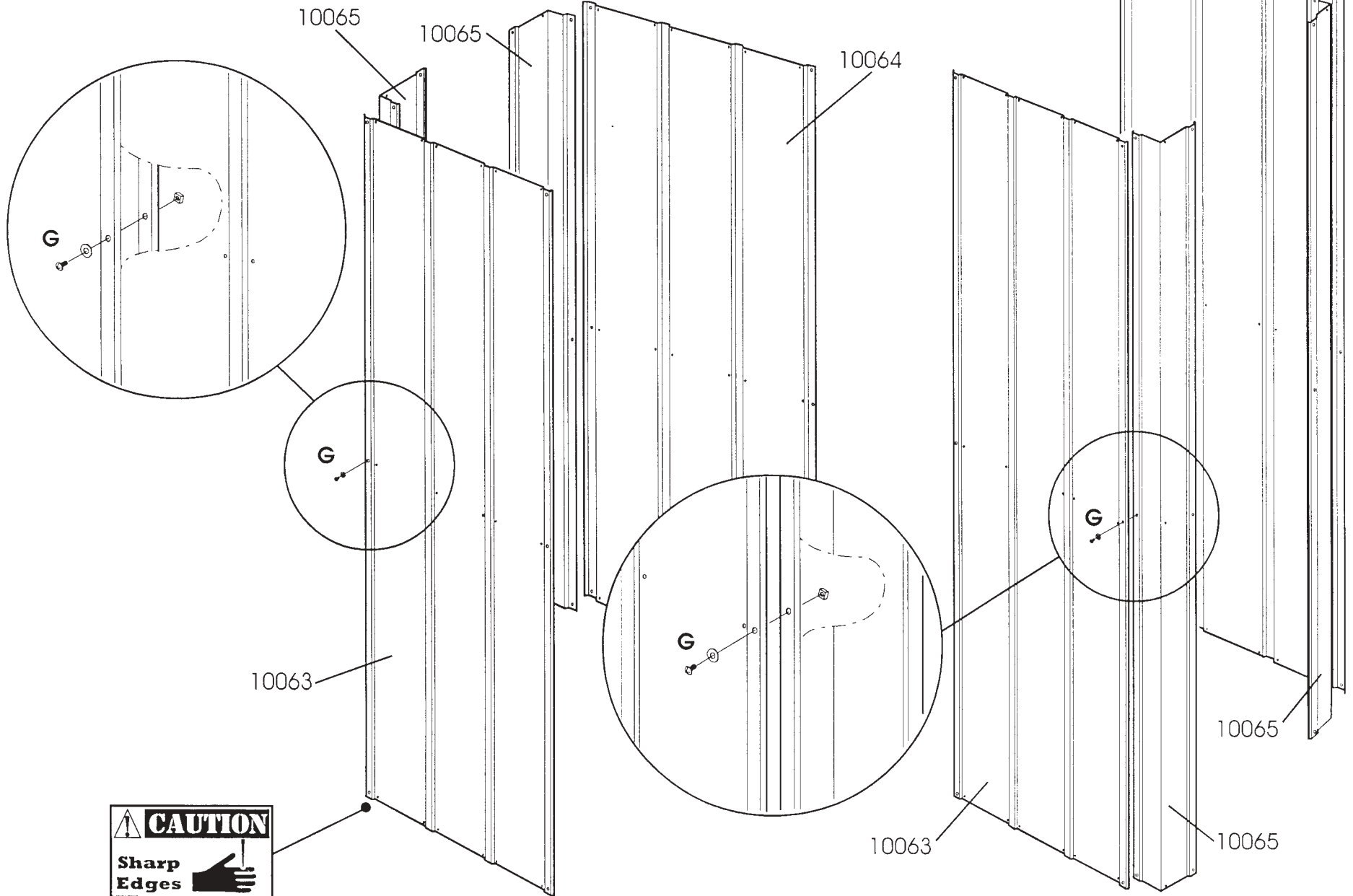
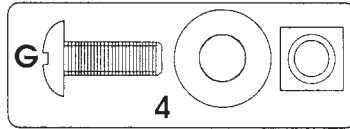
Lay Floor Frame together on concrete as if constructing.
Measure diagonally making sure frame is square.



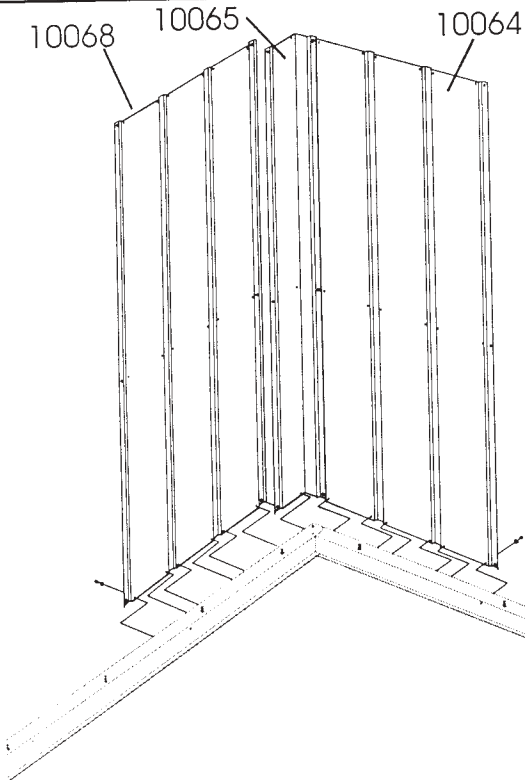
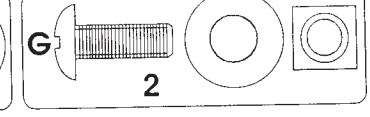
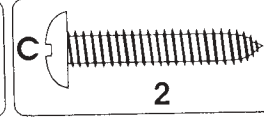
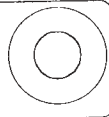
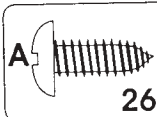
Step 2 Floor Frame



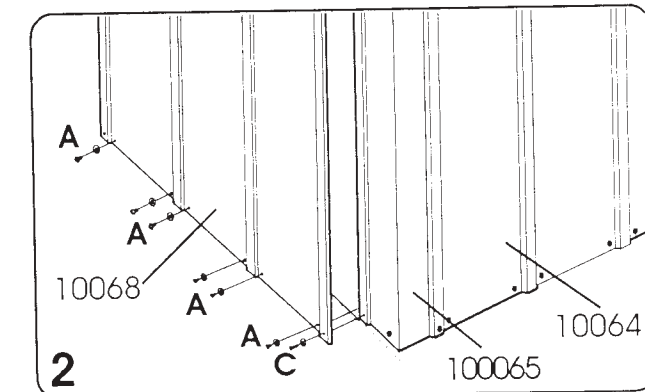
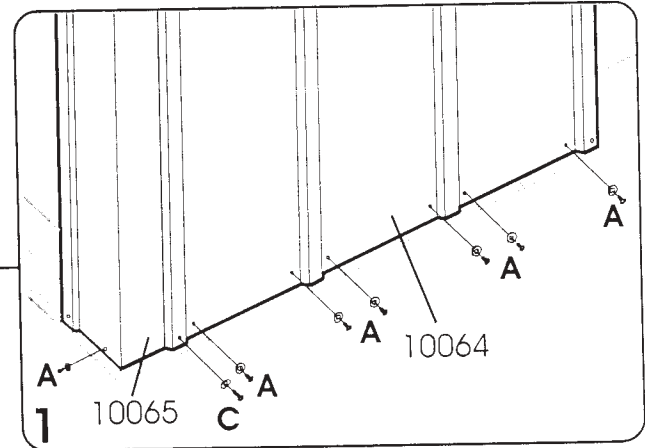
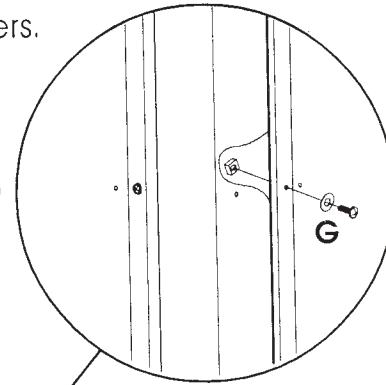
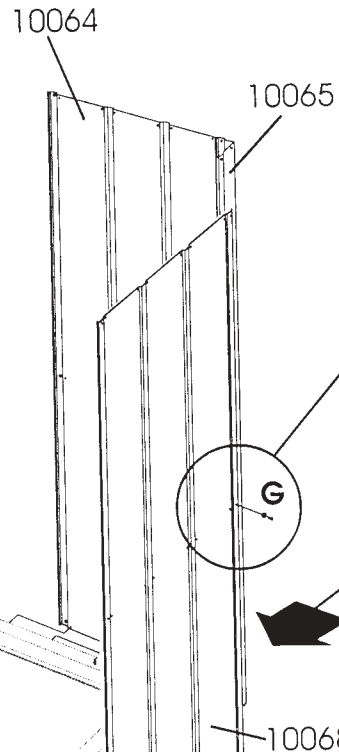
Step 3 Corner Wall Panels



Corner Wall Panels Continued. . .



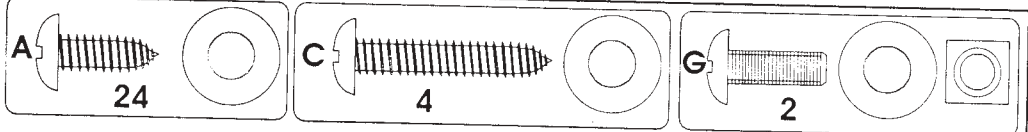
Assemble two rear corners.



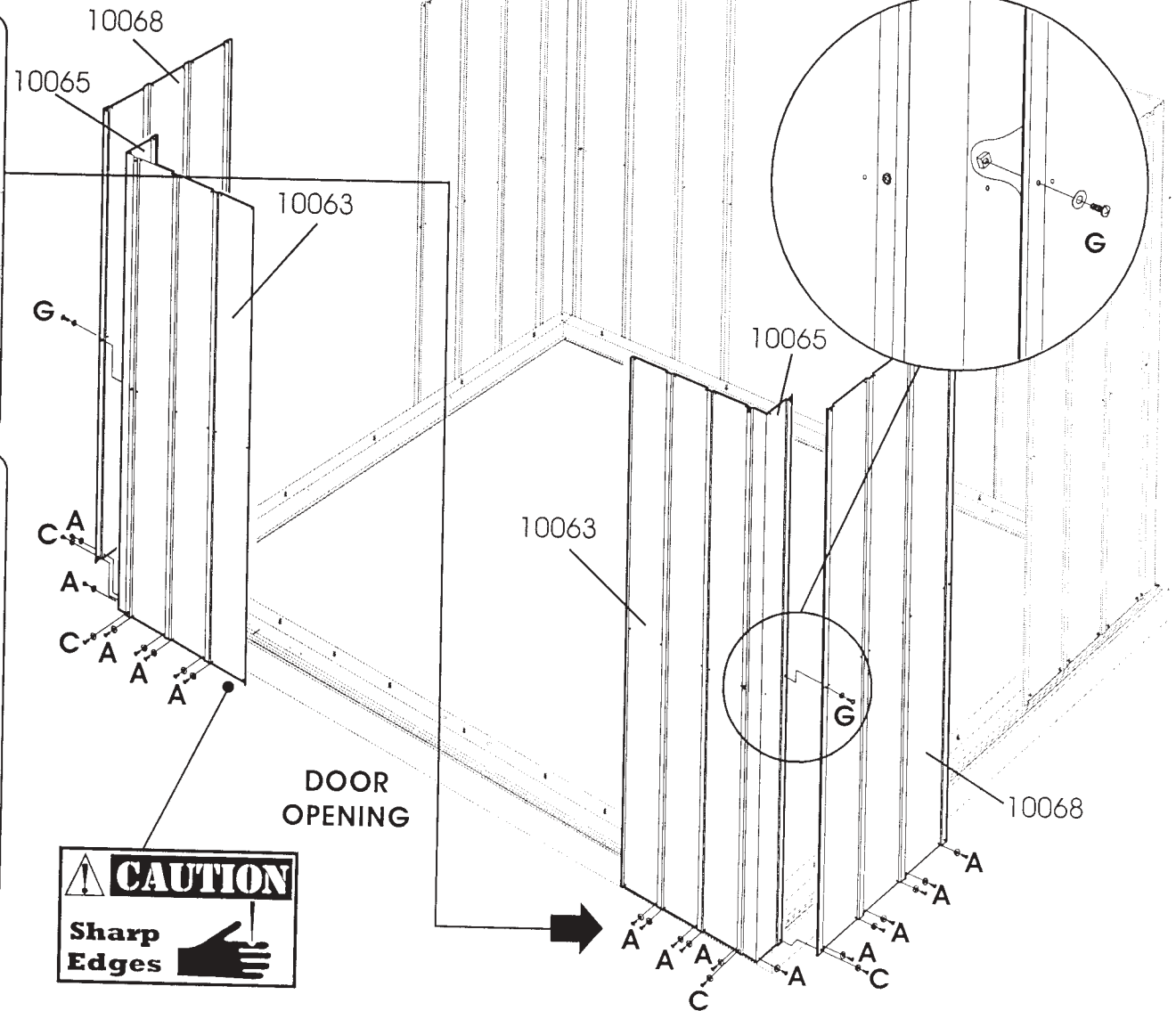
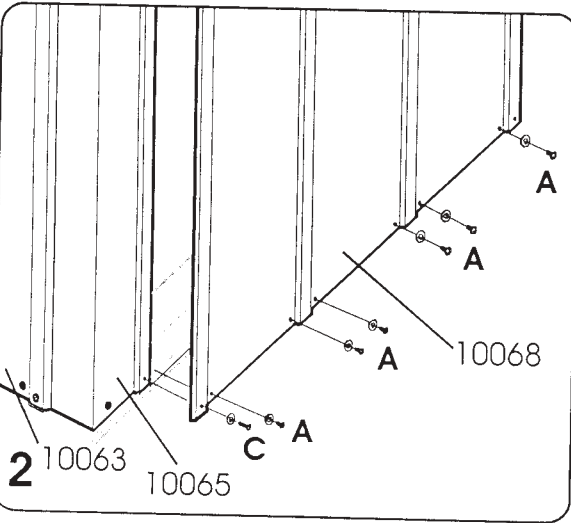
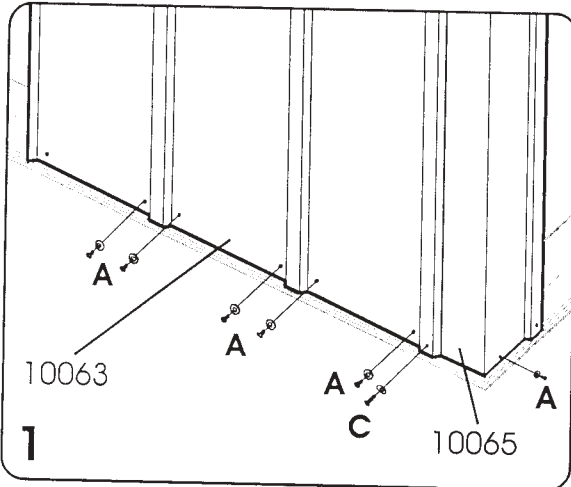
DOOR
OPENING



Corner Wall Panels Continued.....

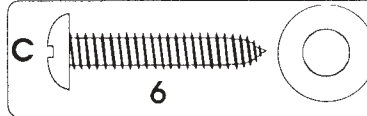
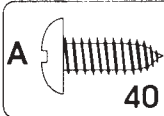


Assemble two front corners.

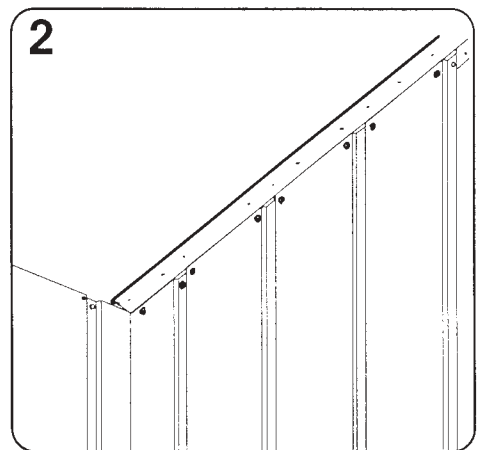
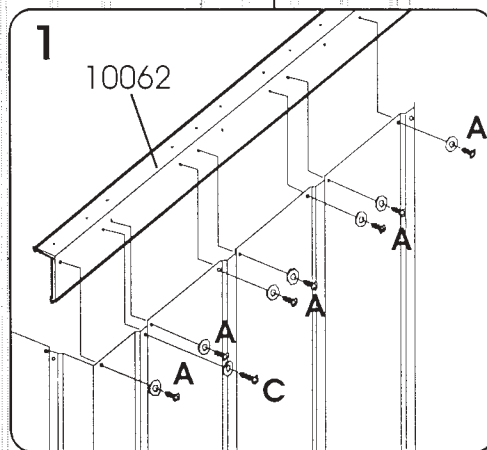
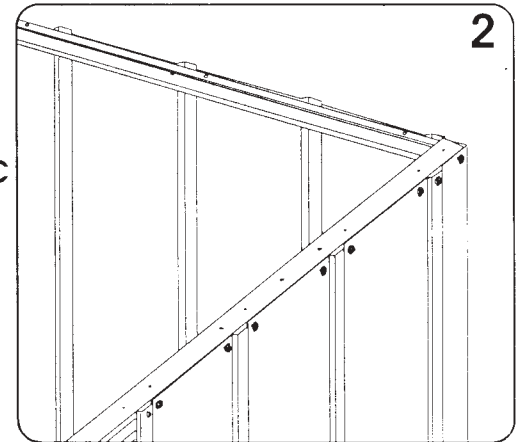
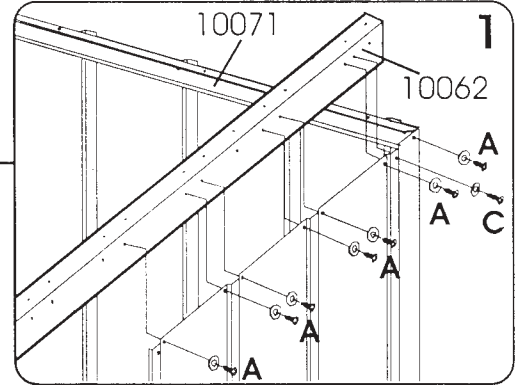
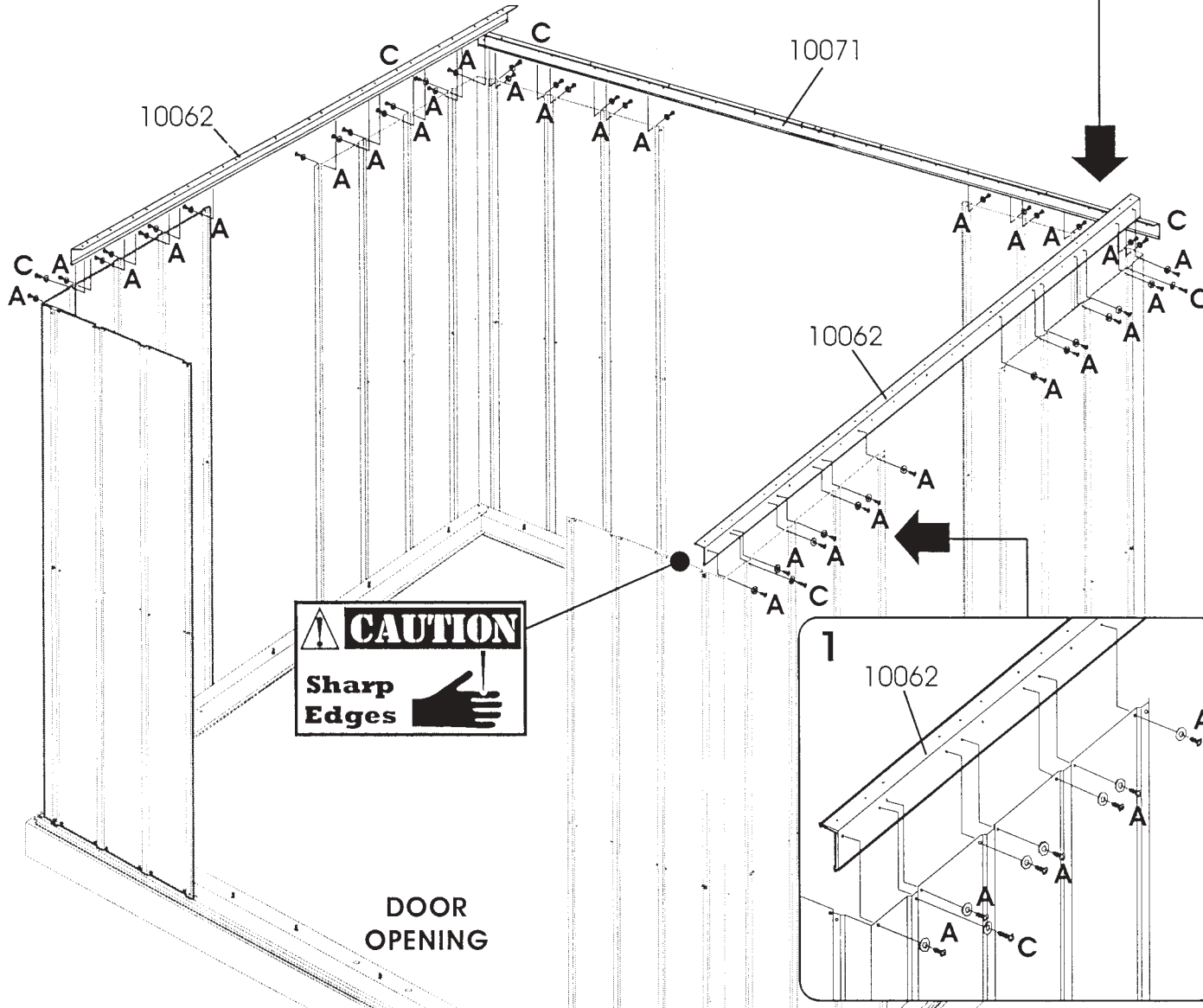


CAUTION
Sharp Edges

Step 4 Top Wall Angles



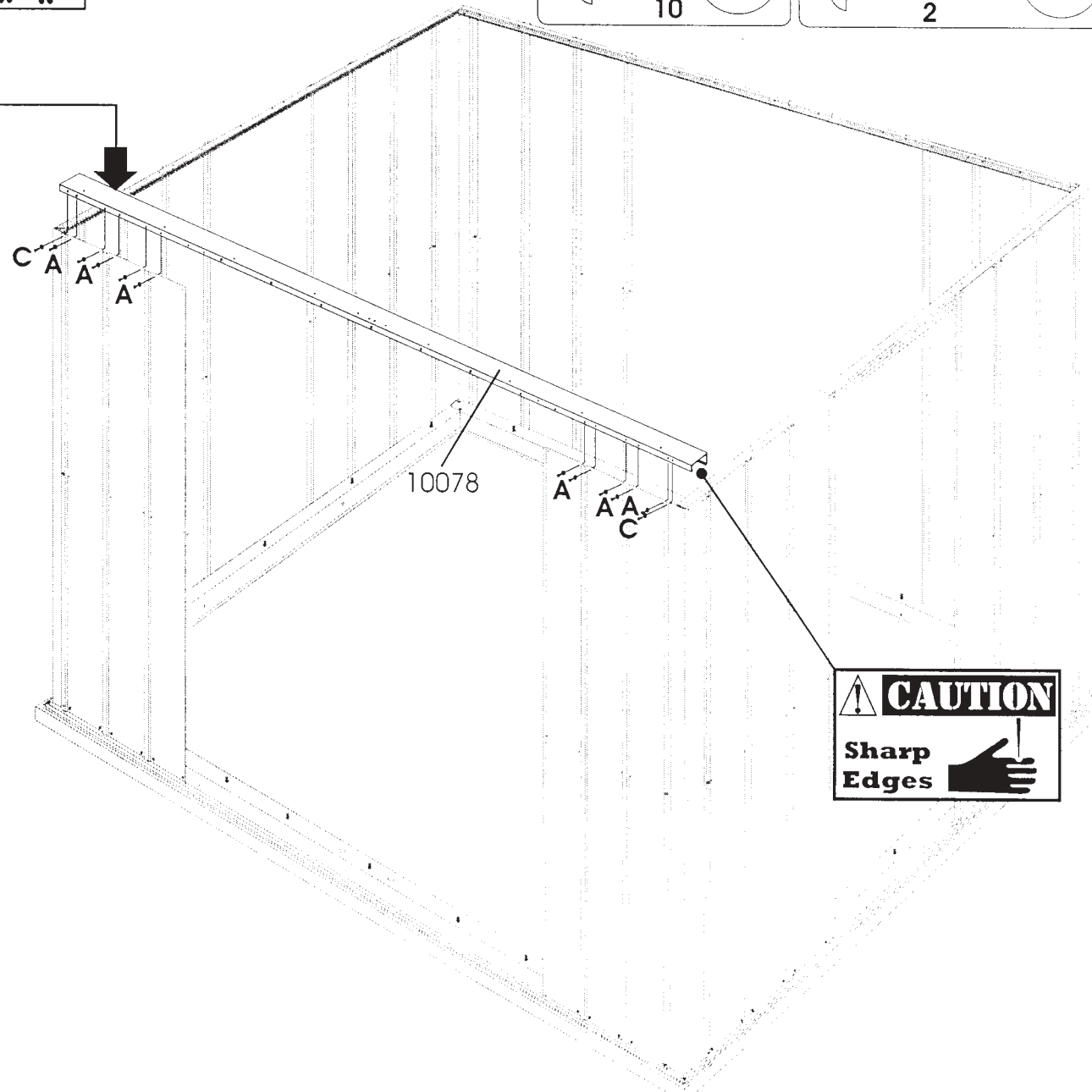
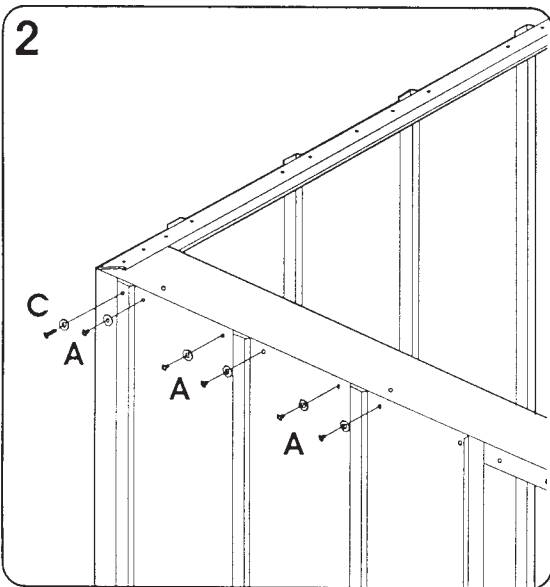
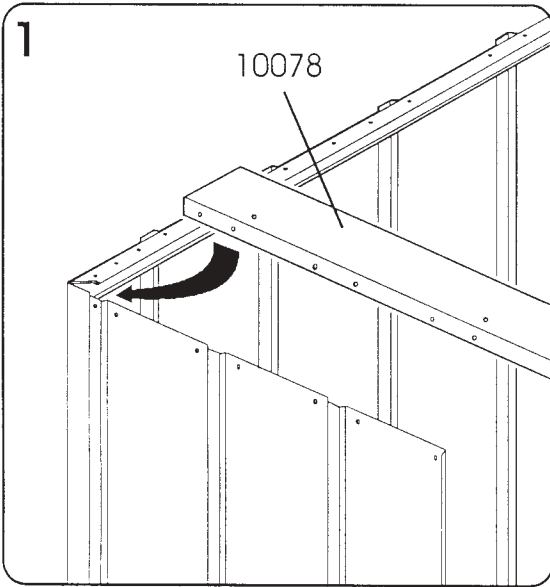
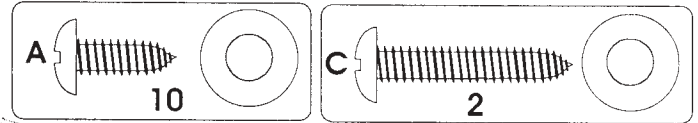
Assemble Top Wall Angles to Corner Wall Panels.



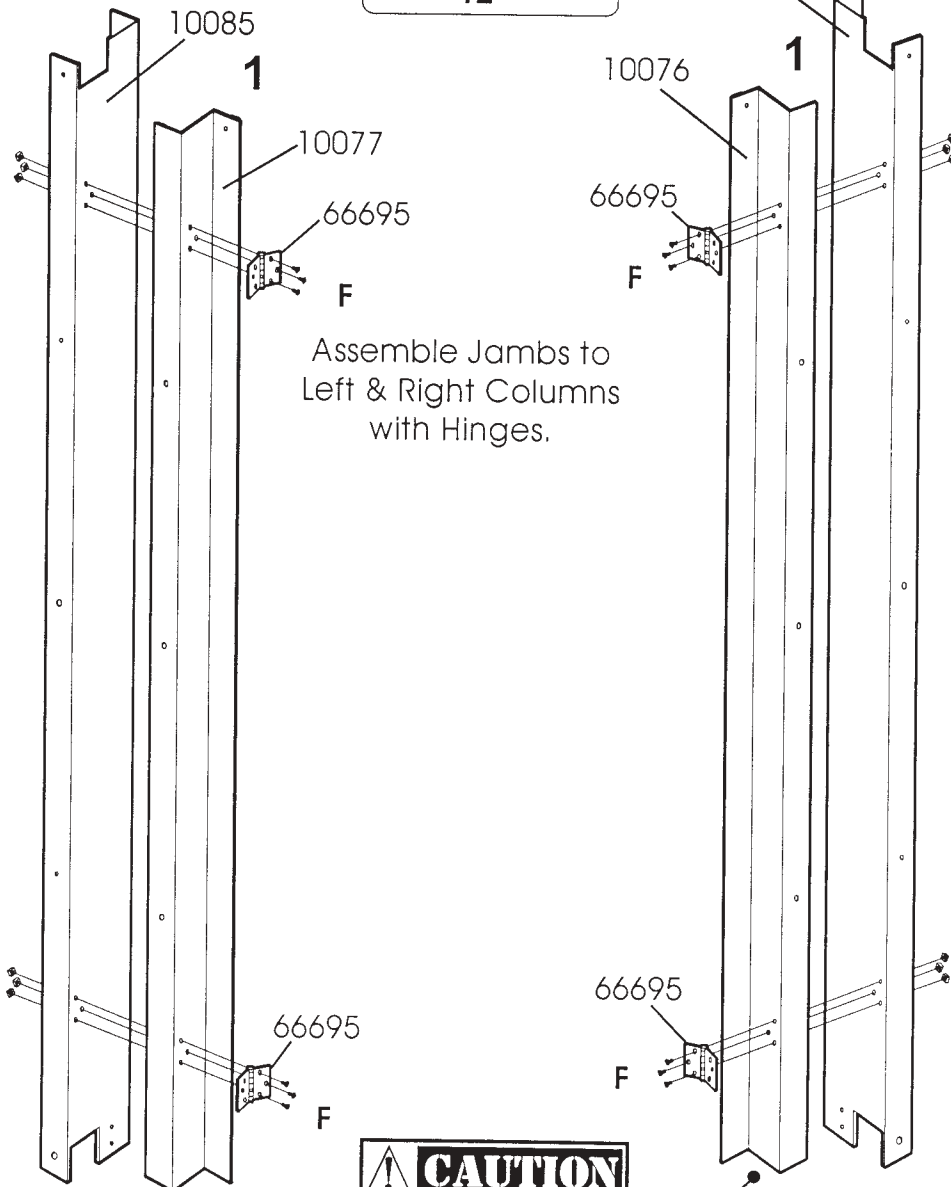
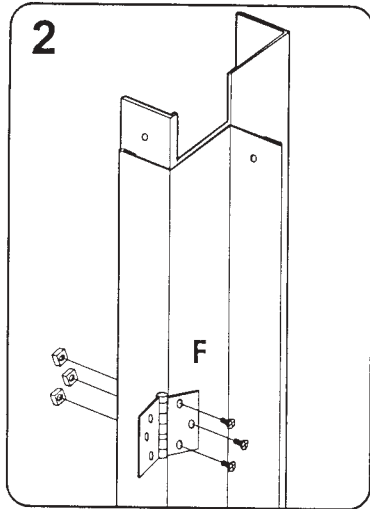
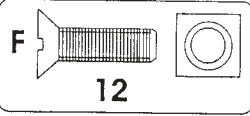
Step 5 Header Beam



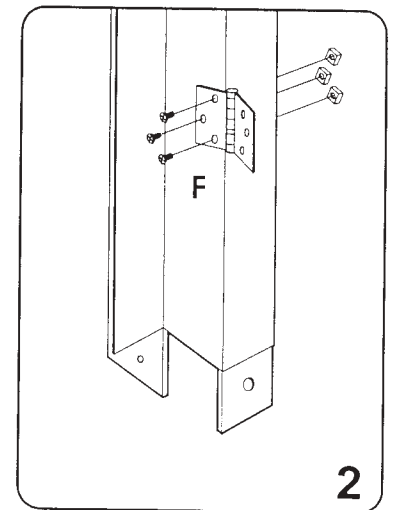
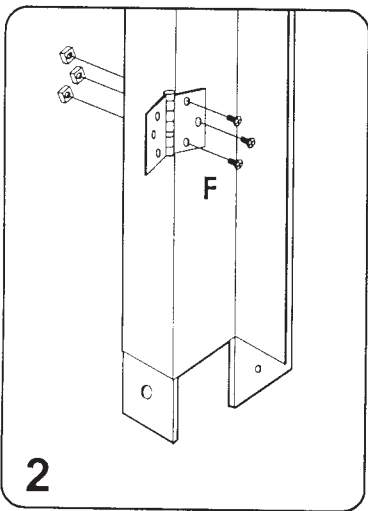
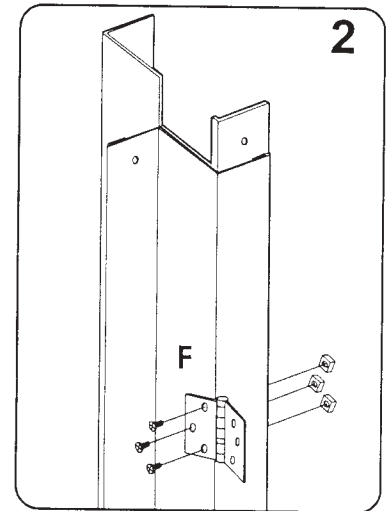
Install Header Beam.



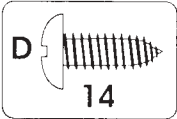
Step 6 Door Column Assembly



Assemble Jamb to
Left & Right Columns
with Hinges.

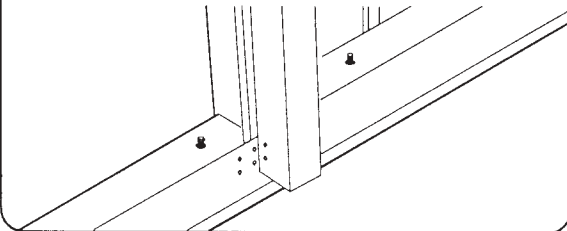


Door Column Assembly Continued . . .

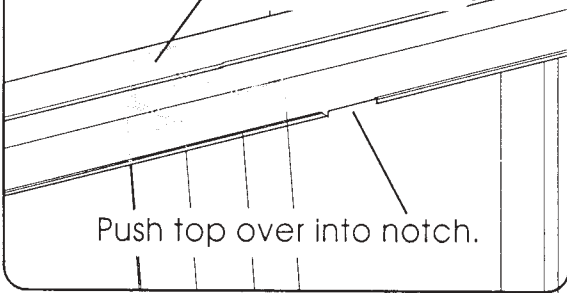


Assemble Door Columns to Header Beam & Floor Frame.

1 Angle top of Column Assembly toward center and set bottom of Column in place.

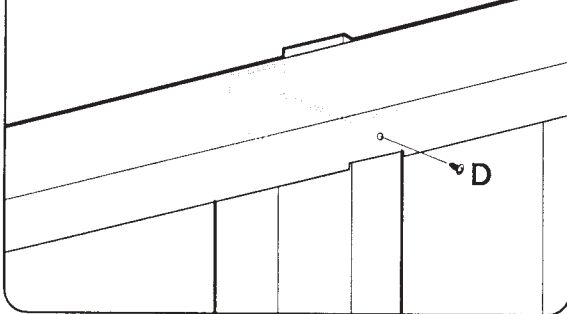


2 This side should be on outside of Header Beam.

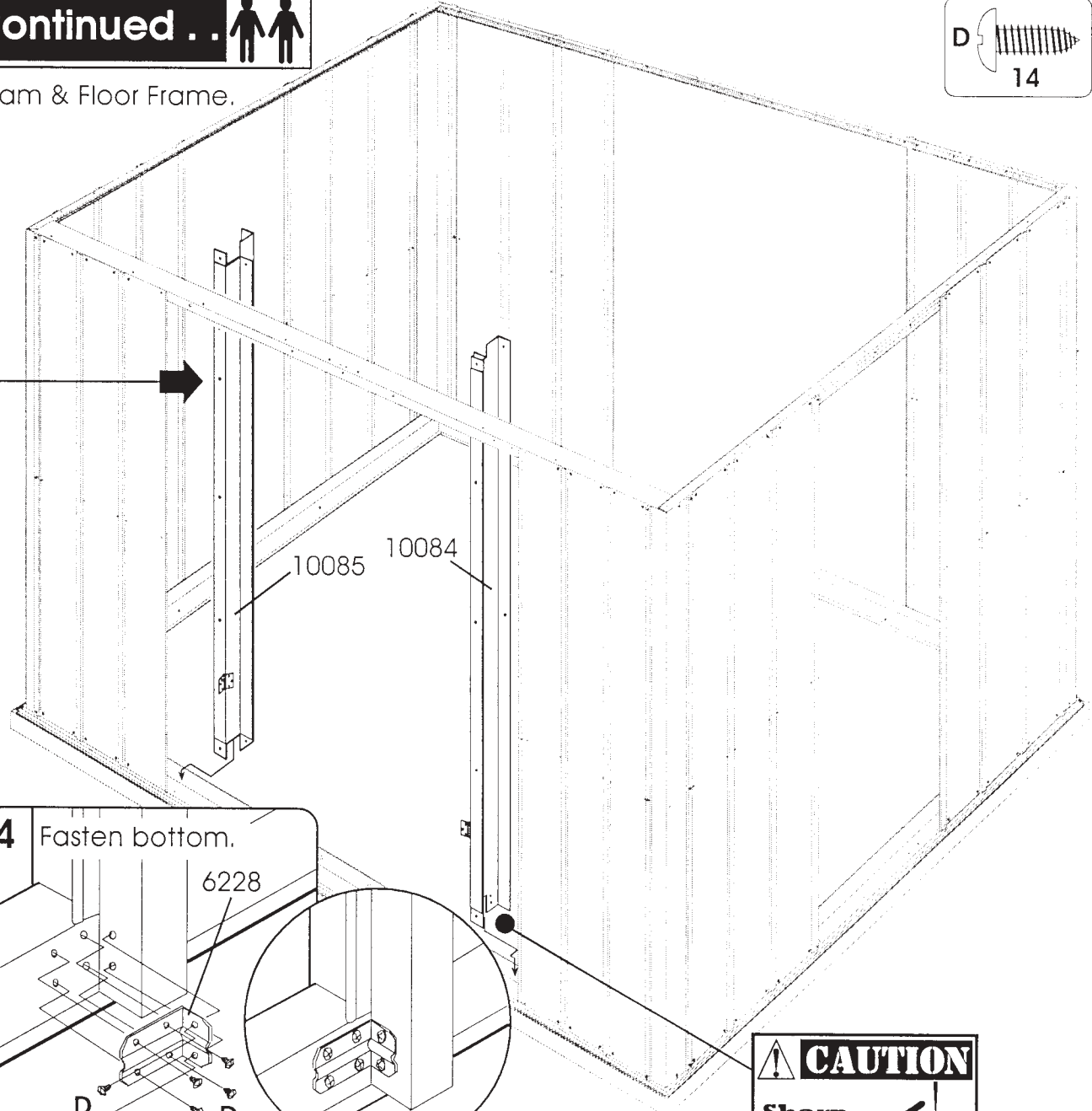
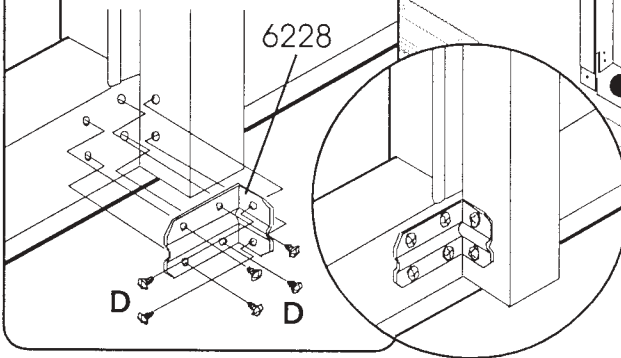


Push top over into notch.

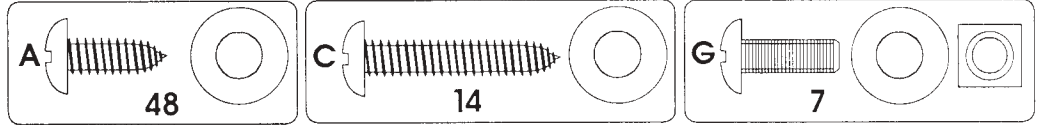
3 Fasten top.



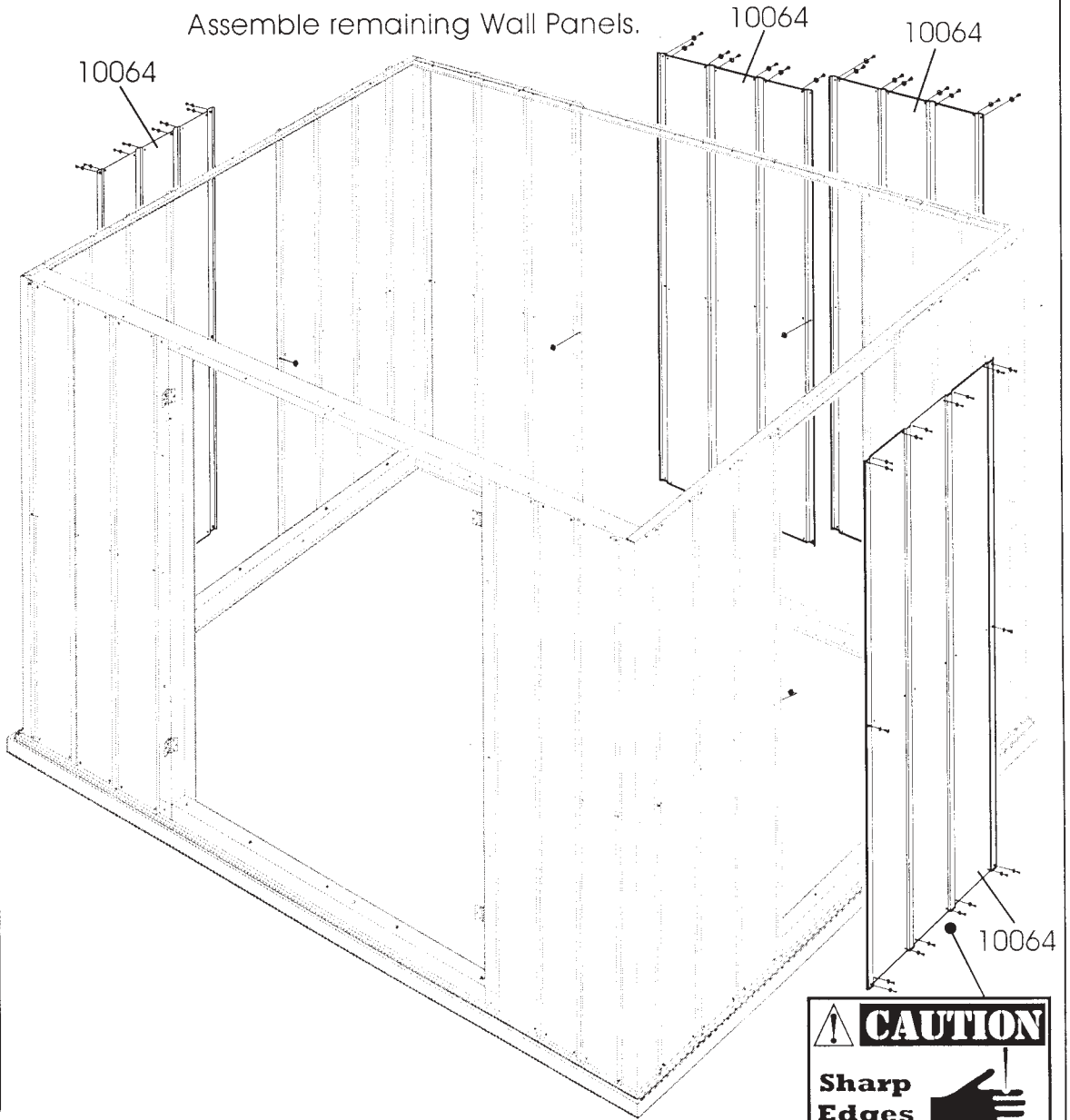
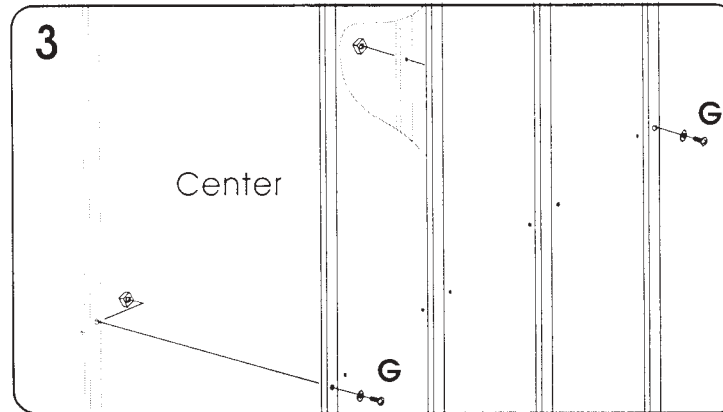
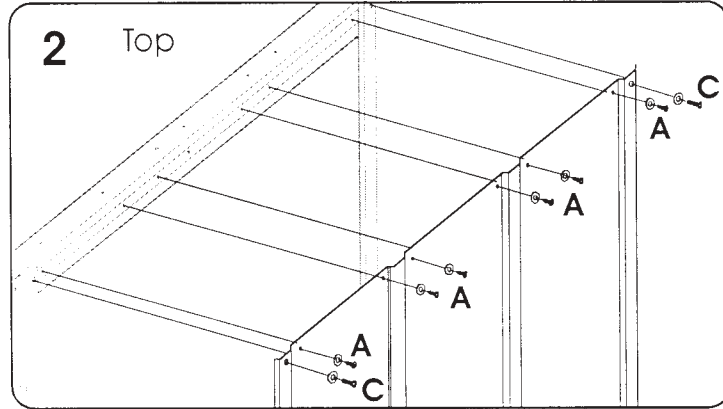
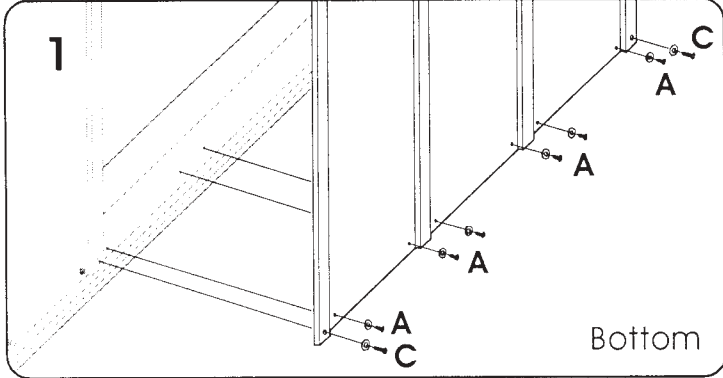
4 Fasten bottom.



Step 7 Wall Panels



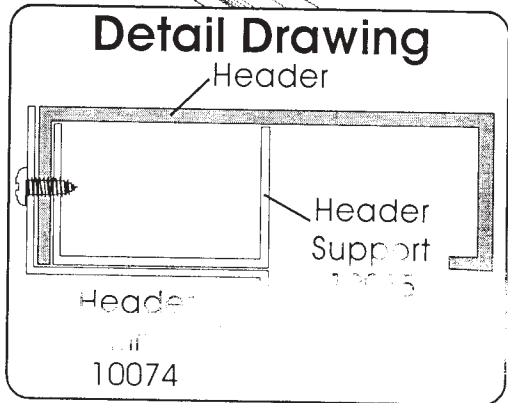
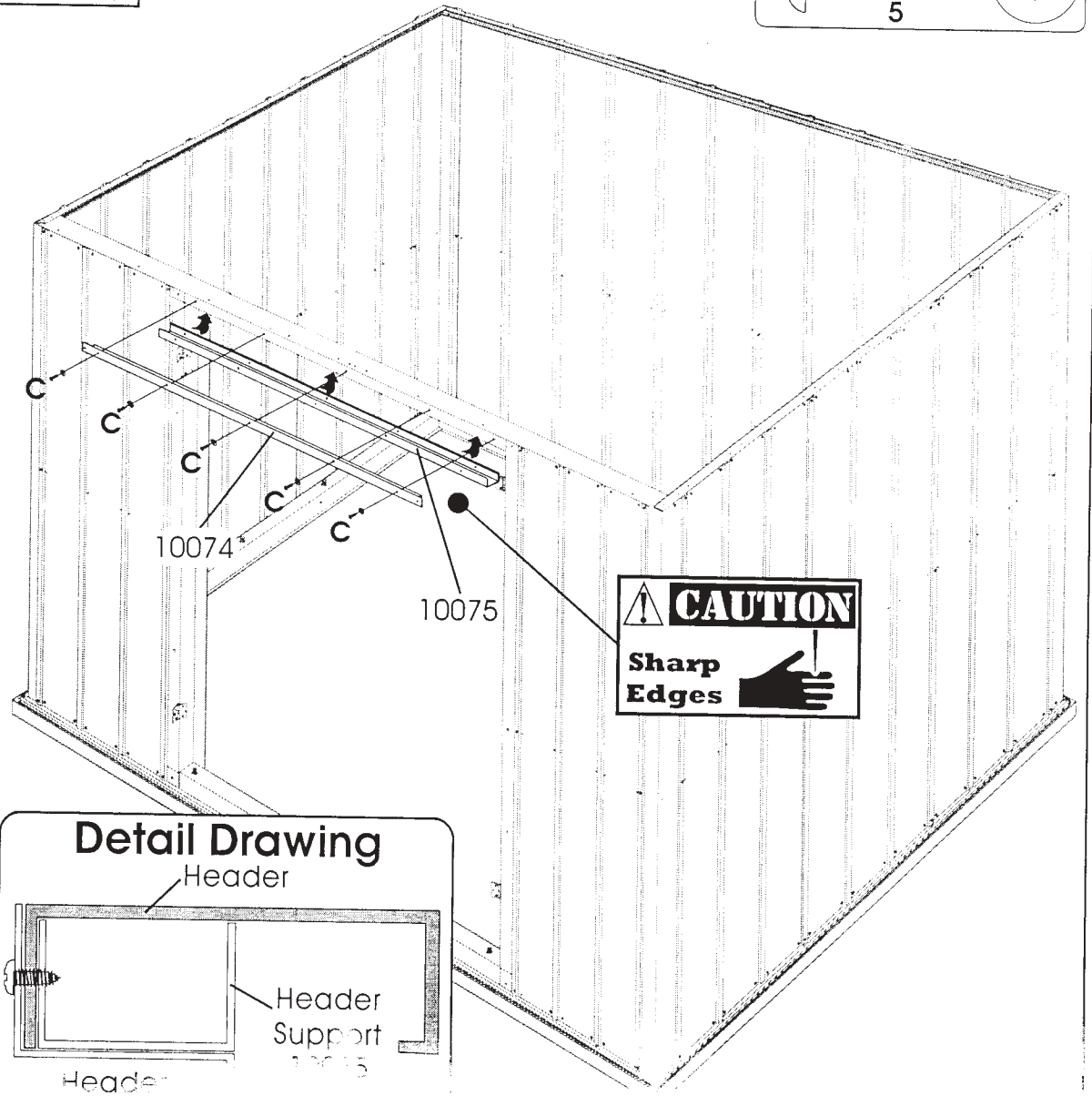
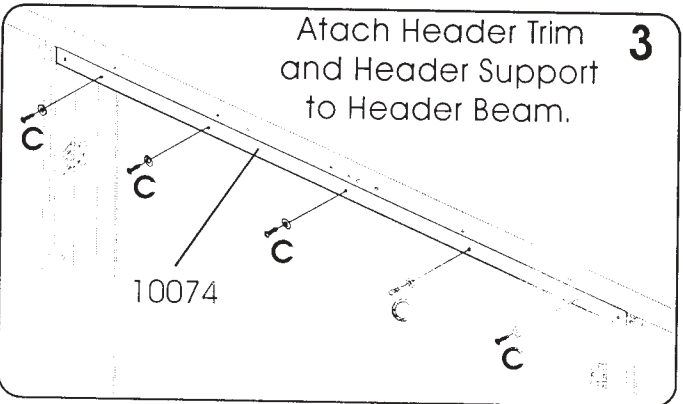
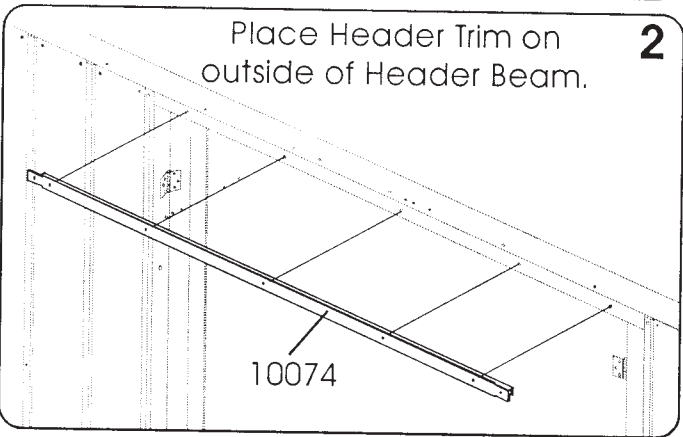
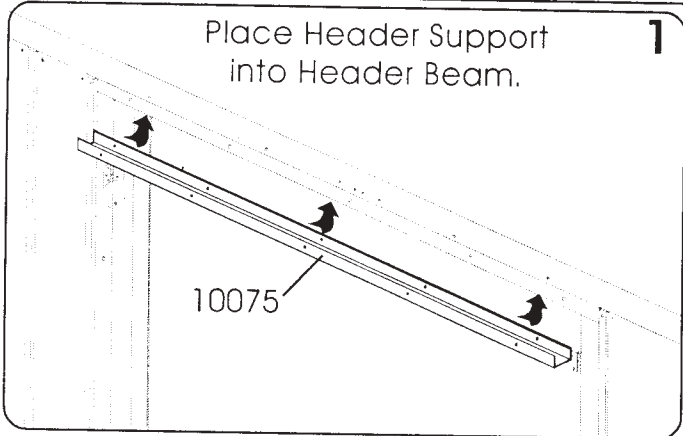
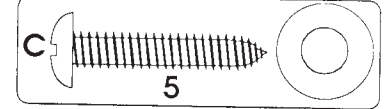
Assemble remaining Wall Panels.



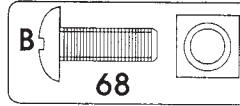
Step 8 Header Support & Trim



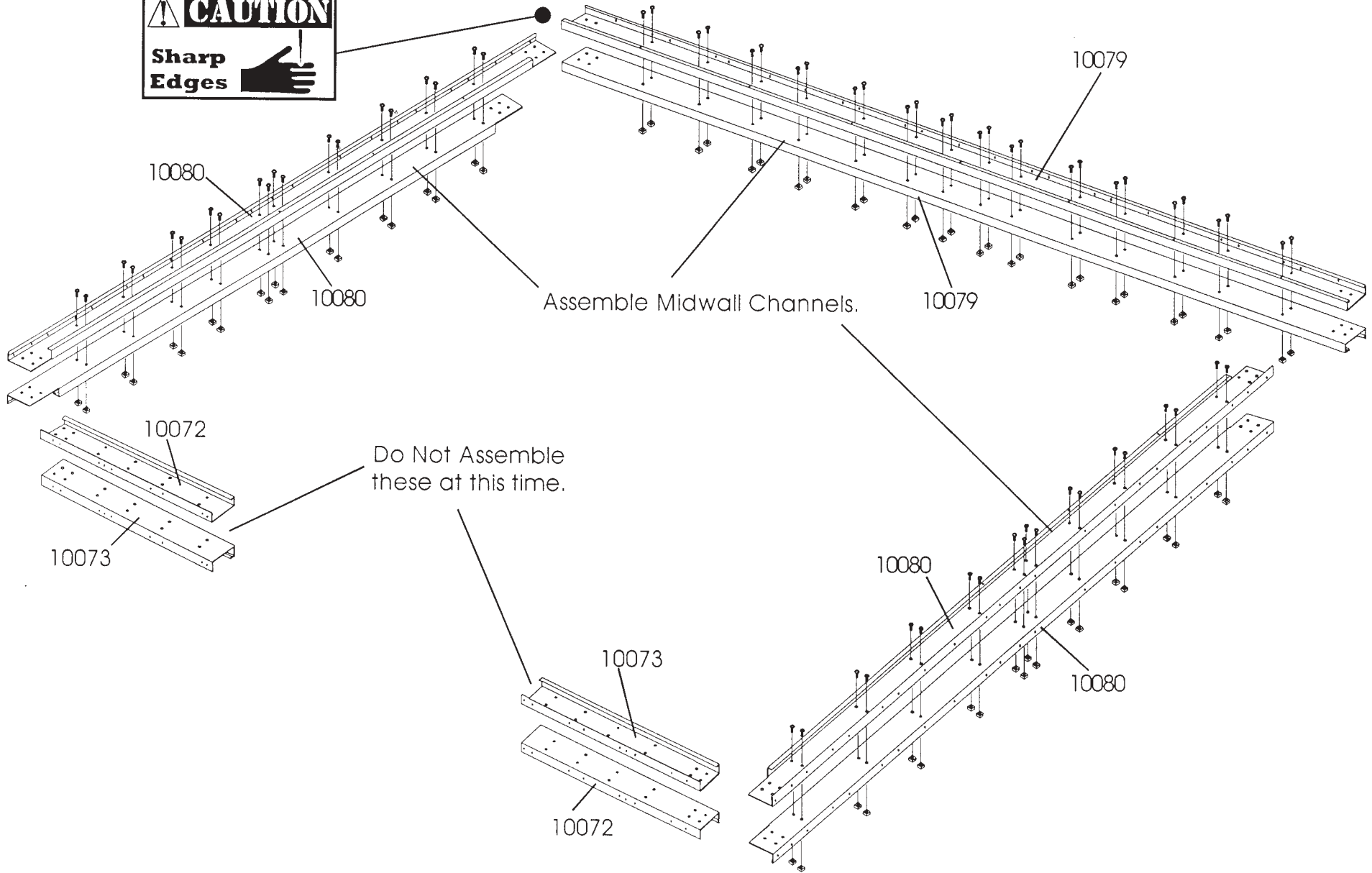
Assemble Header Support inside Header and attach with Header Trim.



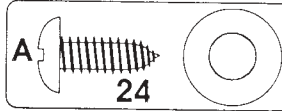
Step 9 Midwall Channel Assembly



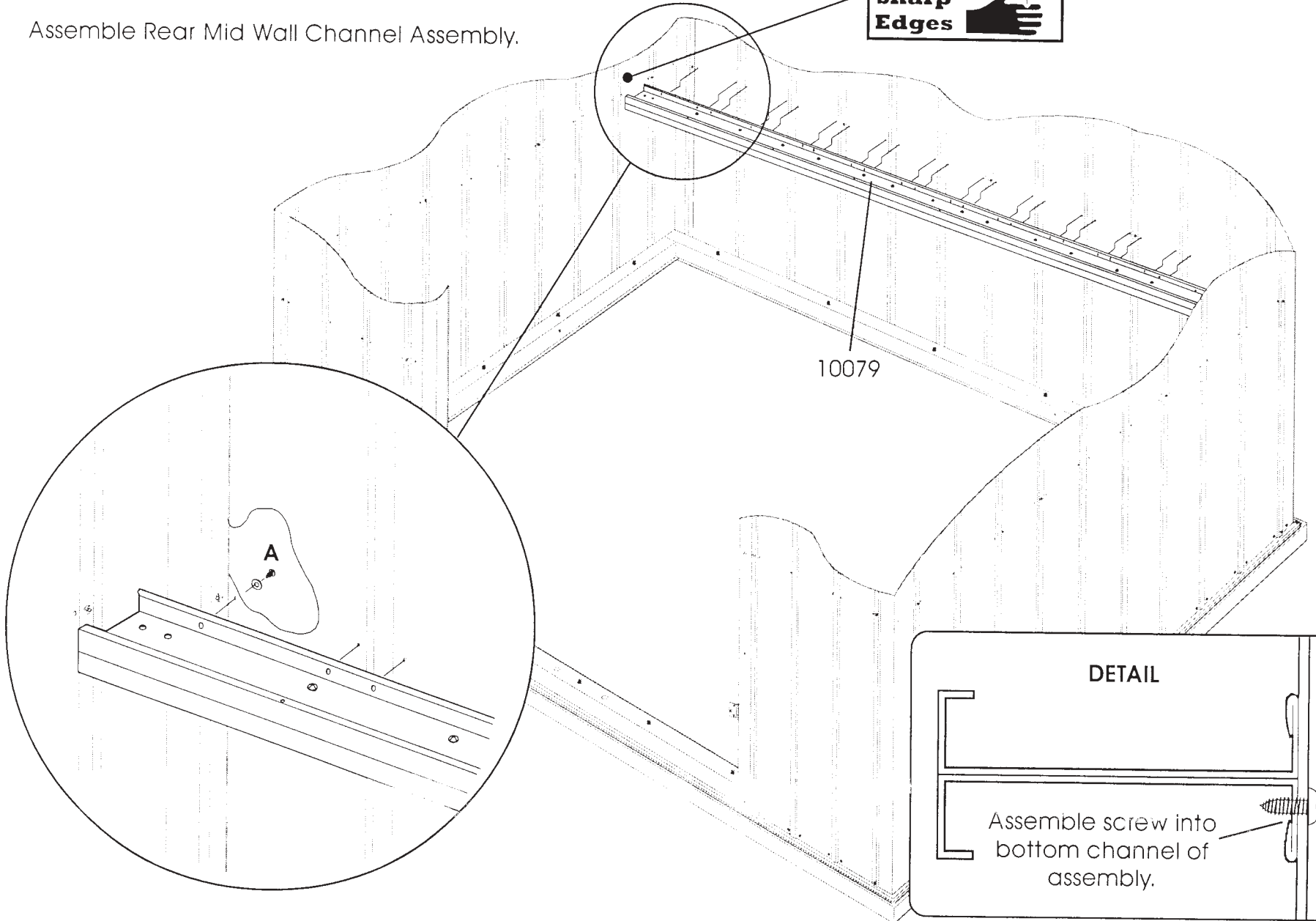
CAUTION
Sharp Edges



Mid Wall Channels . . .Continued



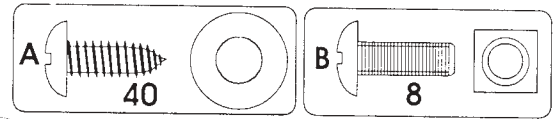
Assemble Rear Mid Wall Channel Assembly.



DETAIL

Assemble screw into bottom channel of assembly.

Mid Wall Channels . . .Continued



Assemble side Mid Wall Channel Assemblies.

10080

1 Make small gap & Insert Side Mid Wall Channels.

10080

10079

CAUTION
Sharp Edges

10080

2

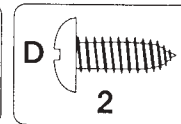
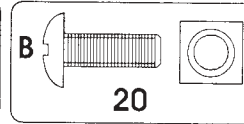
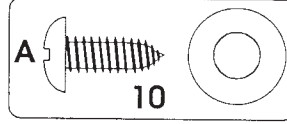
A

B

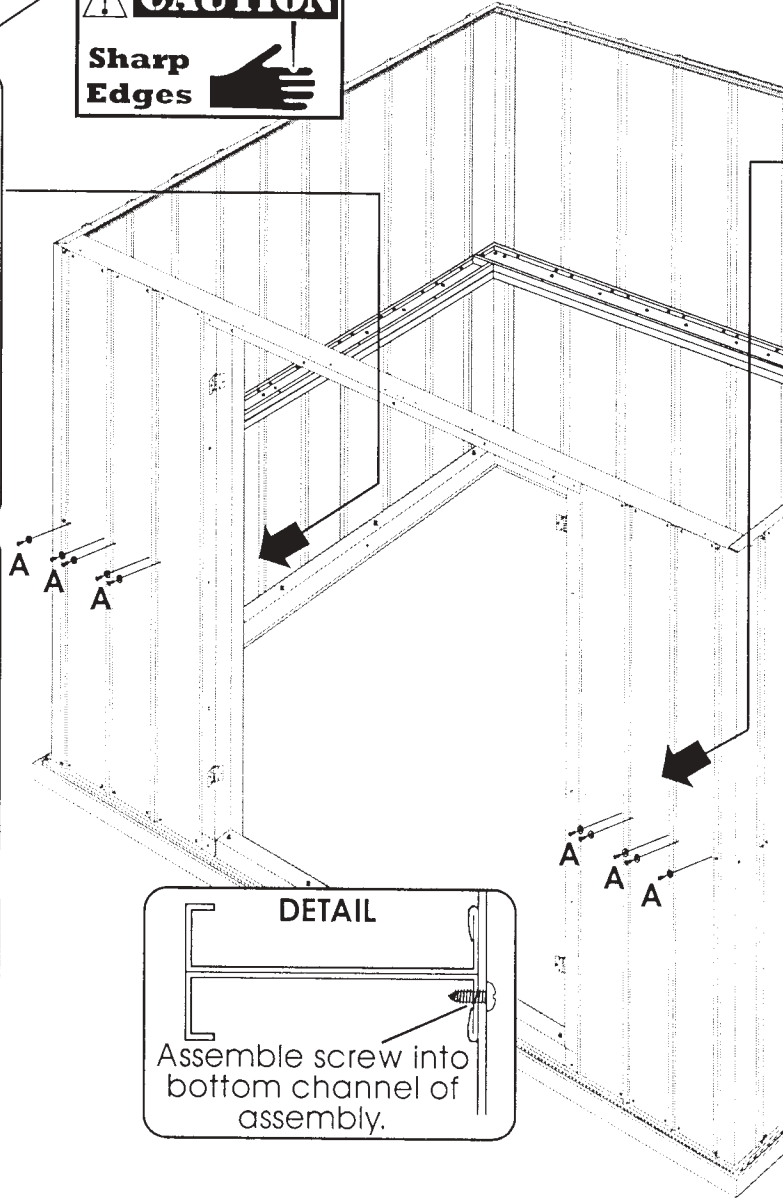
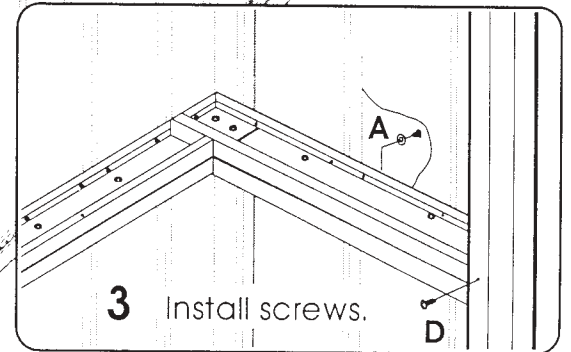
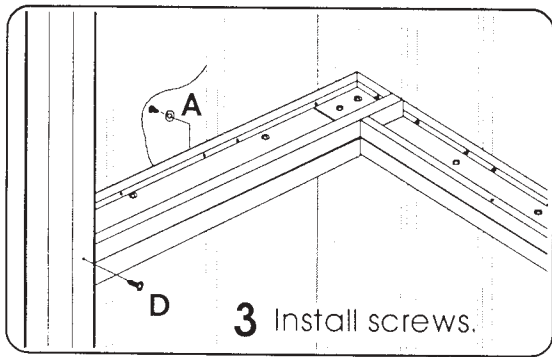
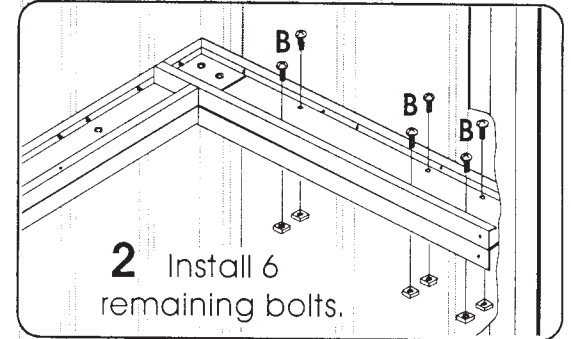
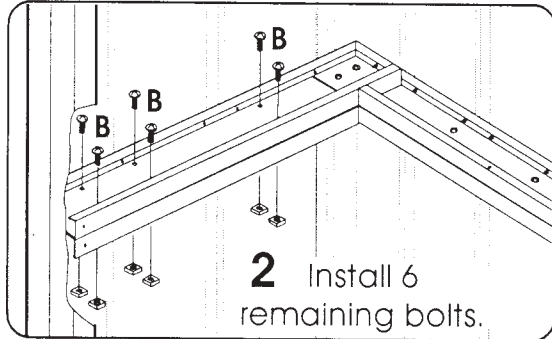
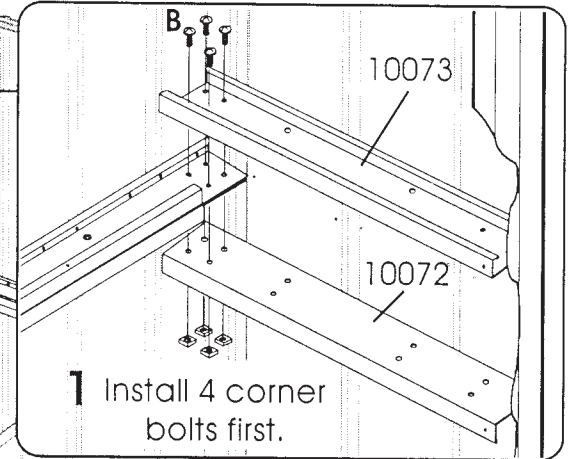
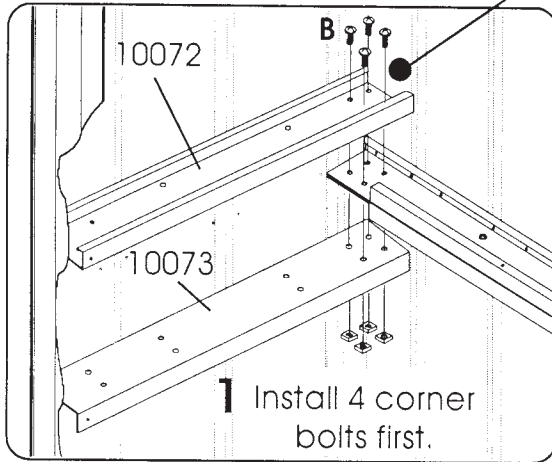
DETAIL

Assemble screw into bottom channel of assembly.

Mid Wall Channels Continued.....



CAUTION
Sharp Edges

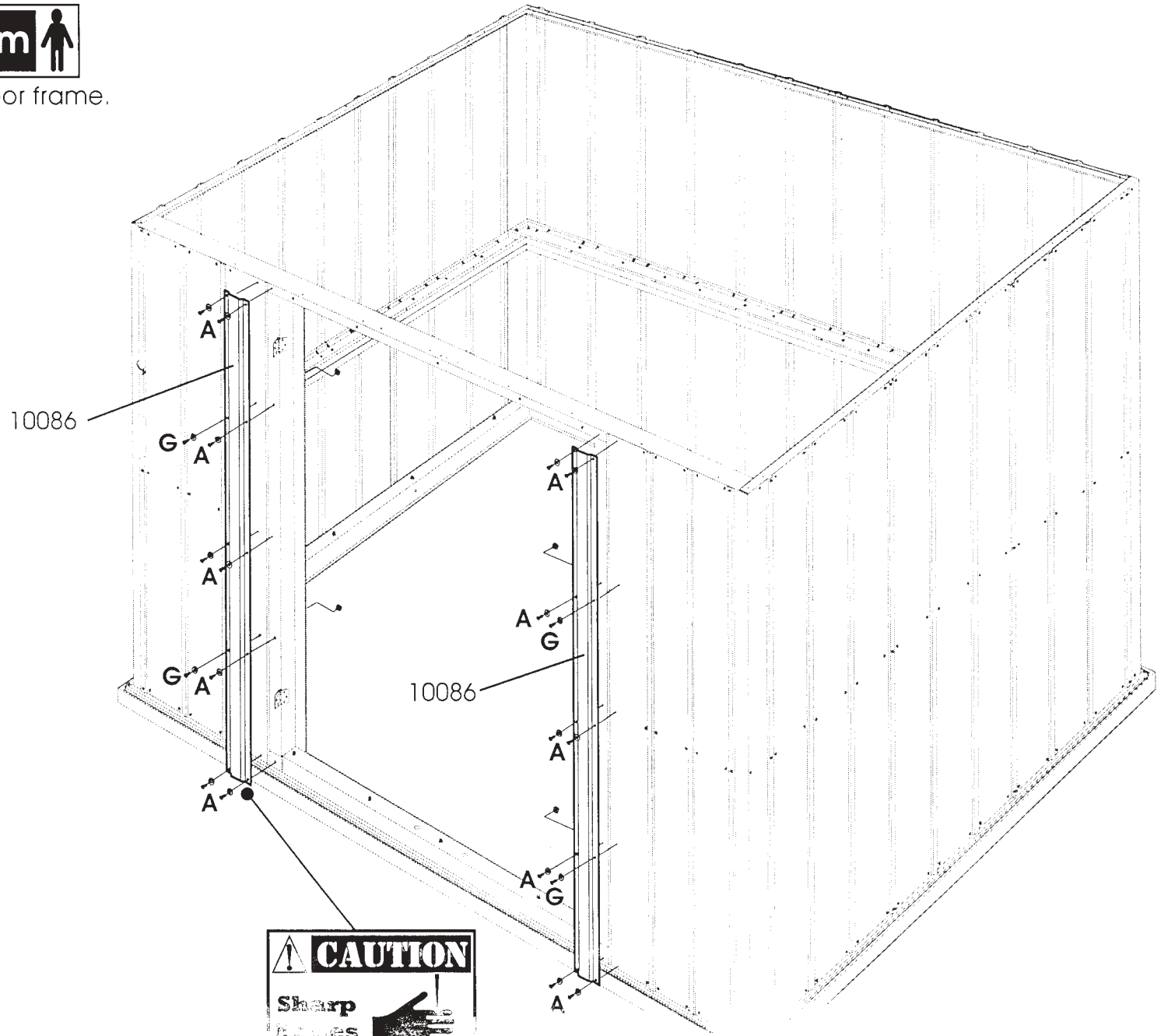
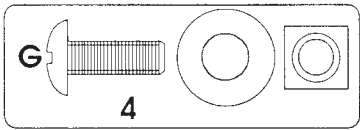
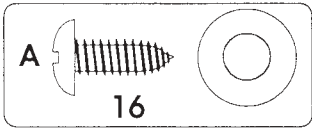


DETAIL

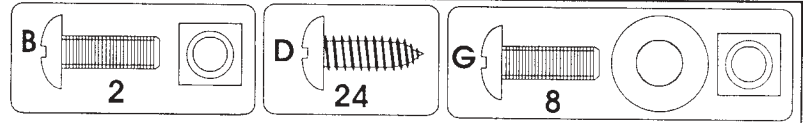
Assemble screw into bottom channel of assembly.

Step 10 Door Trim

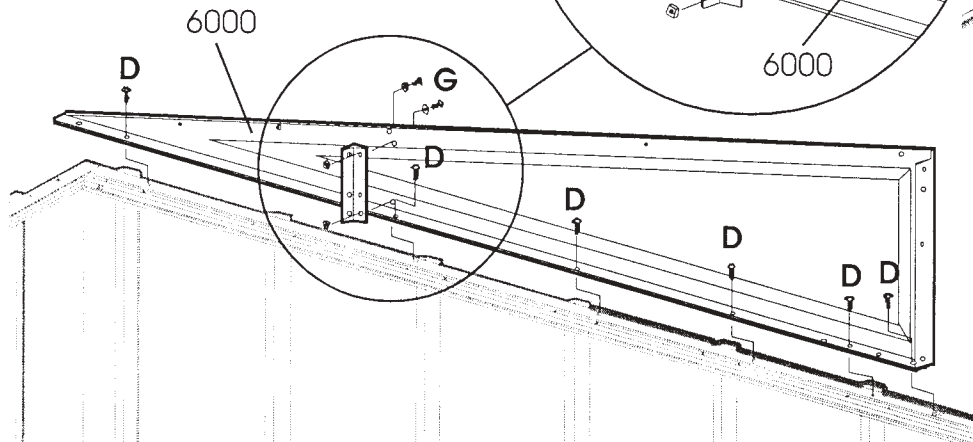
Assemble Door Trim to door frame.



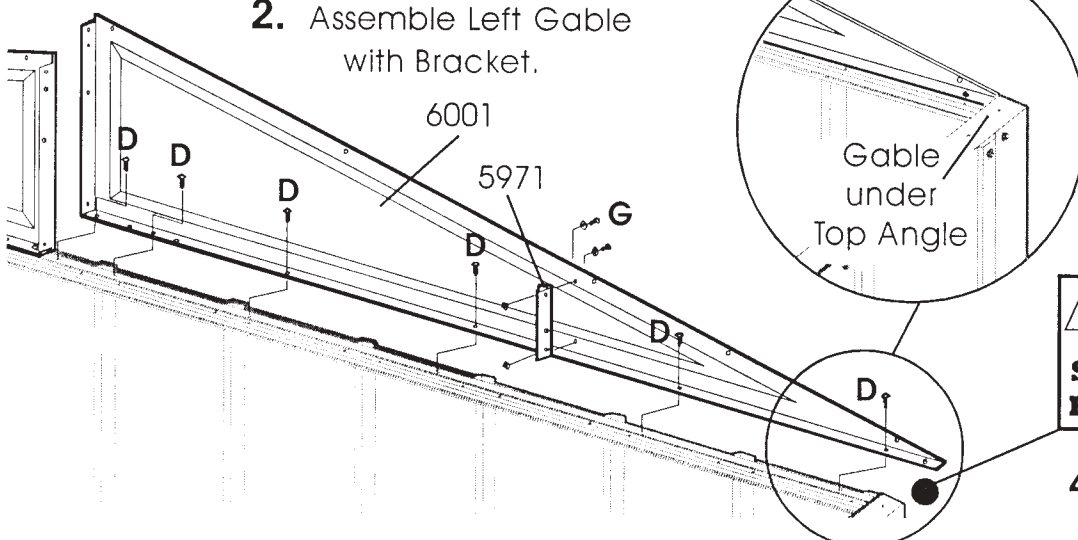
Step 11 Gables



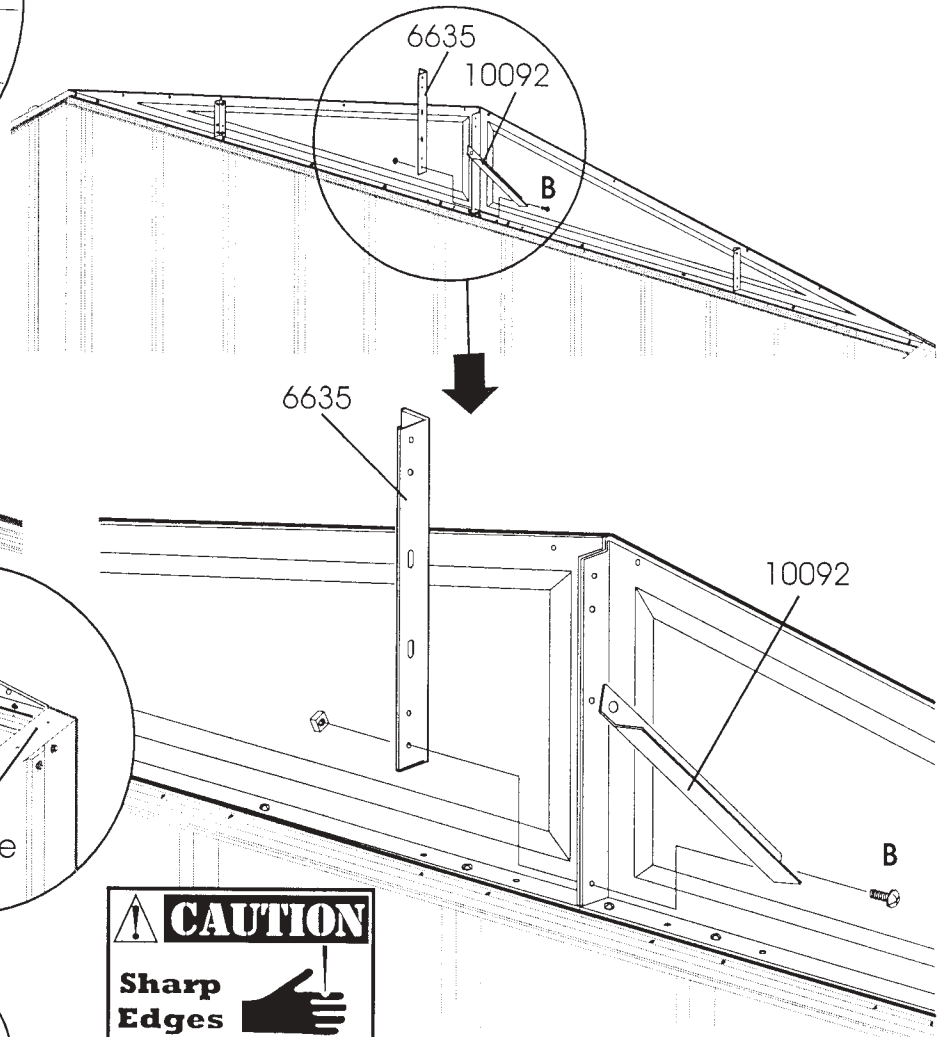
1. Assemble Right Gable with Bracket.



2. Assemble Left Gable with Bracket.

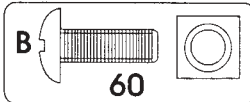


3. Assemble Gable Brace & Roof Brace

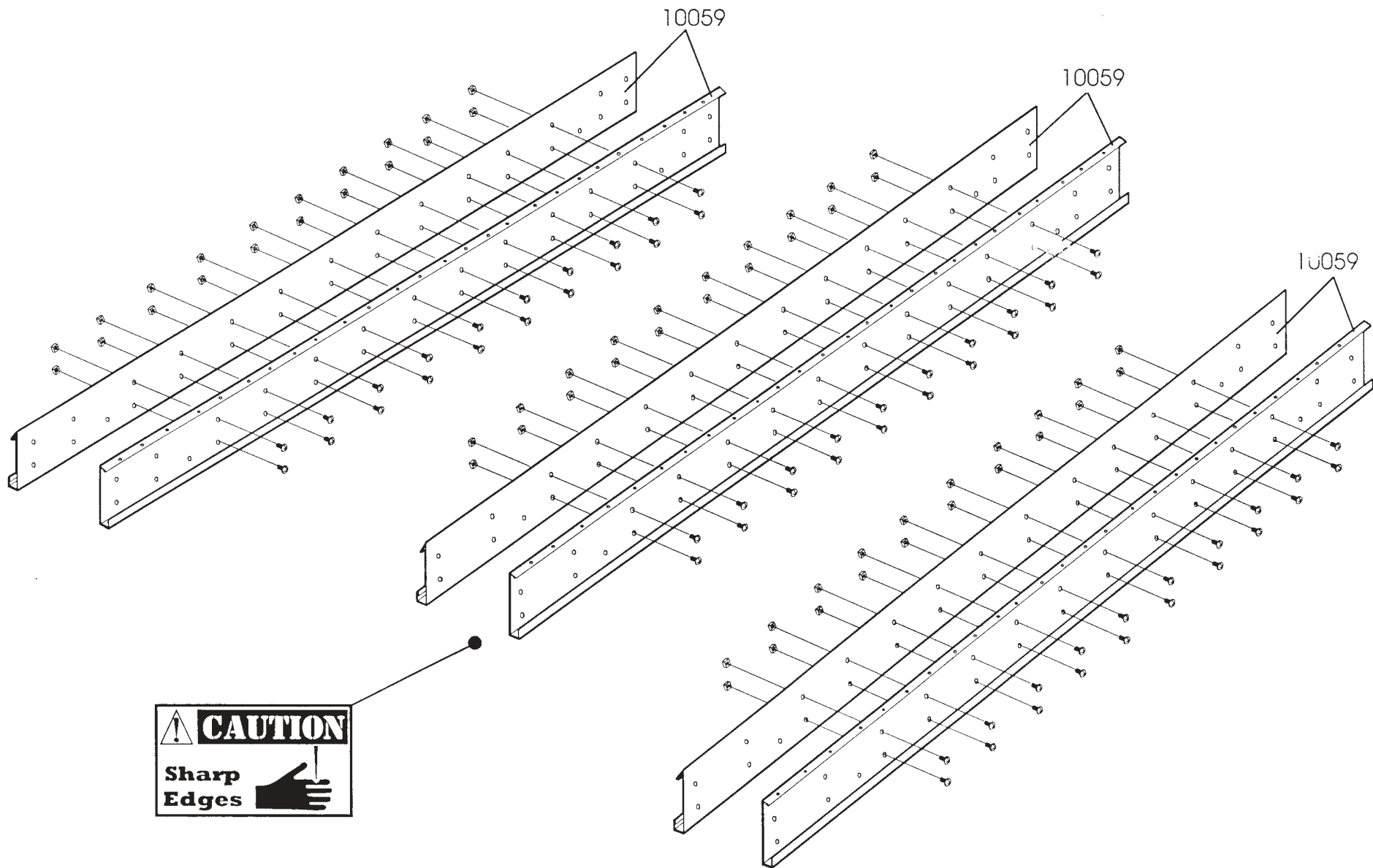


4. Repeat these steps to assemble Gables on front of building.

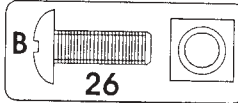
Step 12 Roof Beams



Assemble Roof Beams.



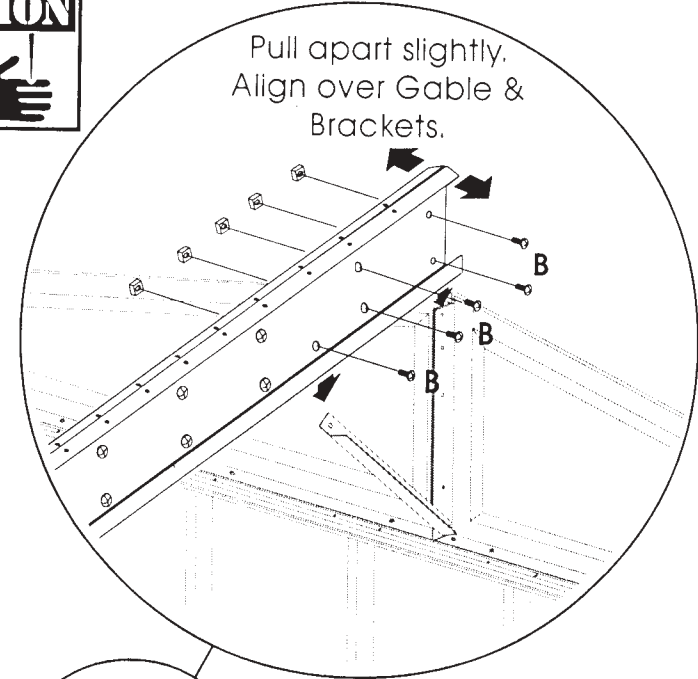
Roof Beams Continued . . .



Assemble Roof Beams to Brackets.

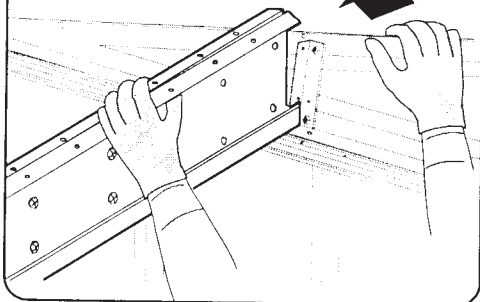
10059

10059

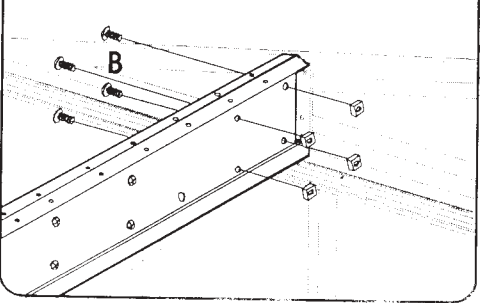


Pull apart slightly.
Align over Gable &
Brackets.

1 Make small gap in Beams.
Push Gable out slightly.
Insert lower end of bracket
between beams.
Pull Gable back until bolt
holes align.

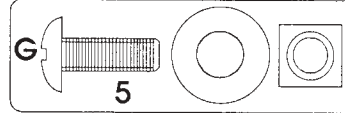
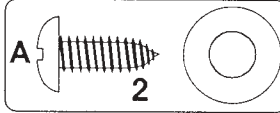


2



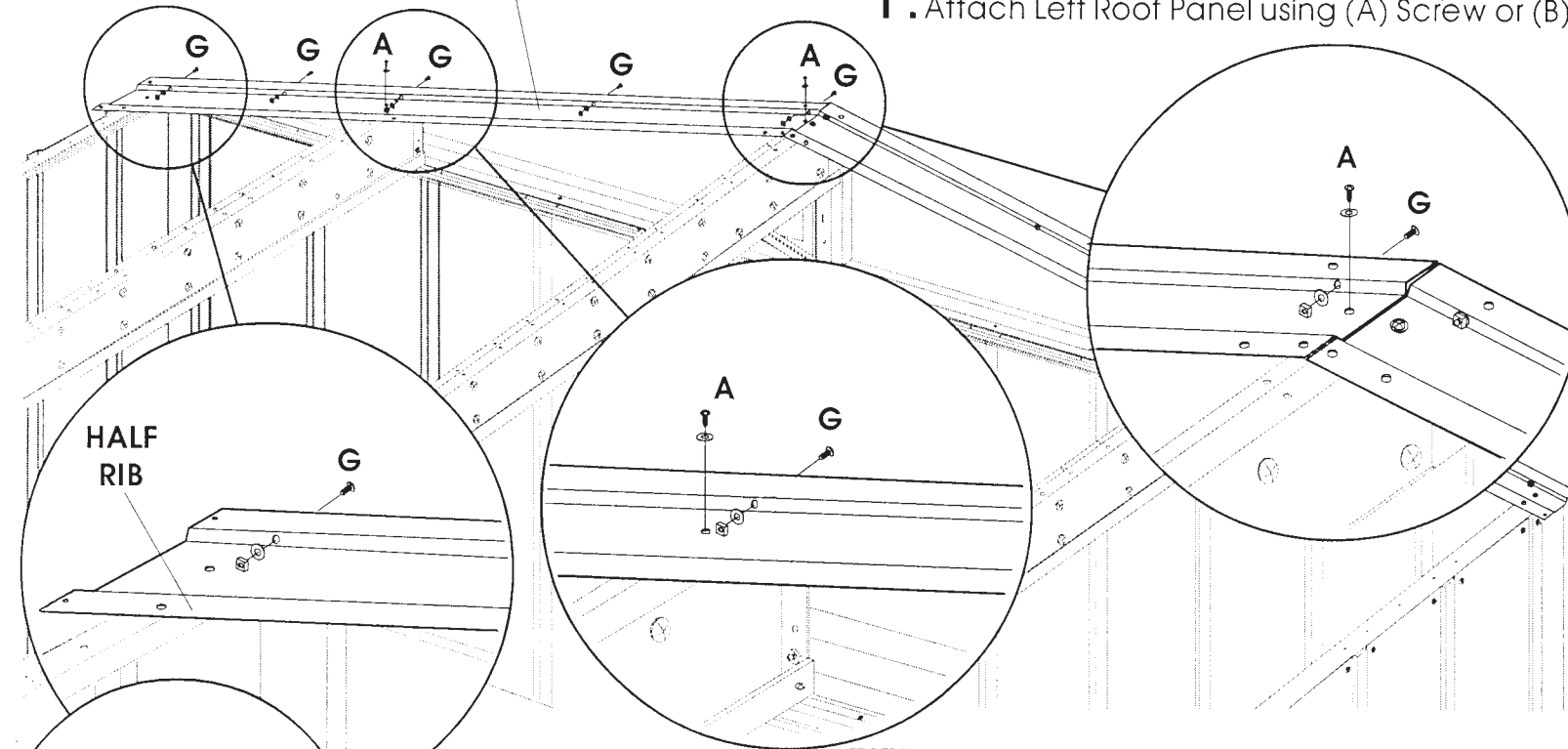
10059

Roof Panels Continued . . .

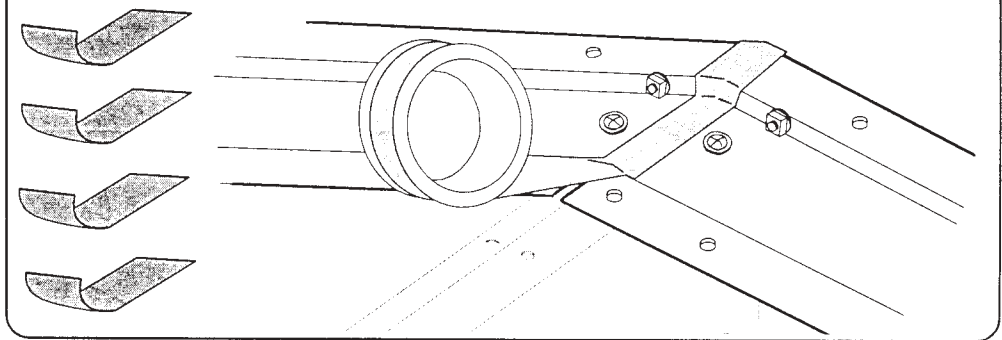


10067

1. Attach Left Roof Panel using (A) Screw or (B) Bolt as indicated.



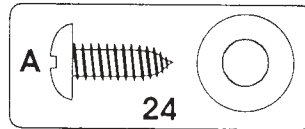
2. Tear off 4 (four) 2 inch pieces of Weather Stripping Tape and reserve for later. Start applying weather stripping tape where Panels meet at Peak. Press firmly into crevices.



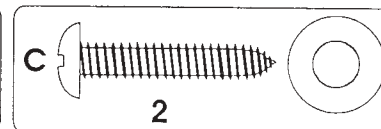
Roof Panels Continued . . .



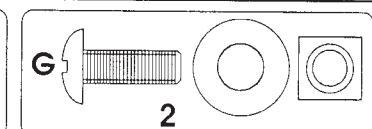
Assemble two Roof Panels (10069).



24



2



2

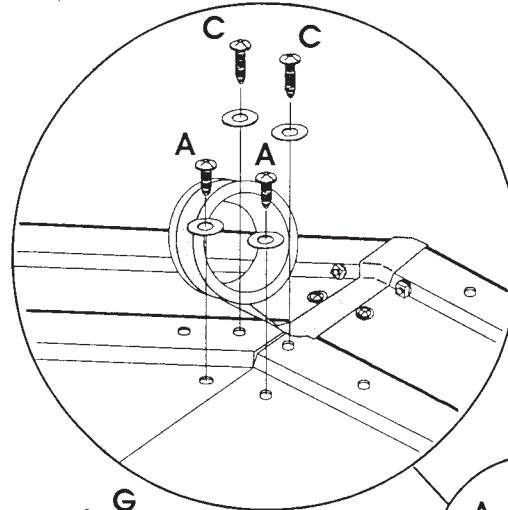
The Roof Panels on this side join with a Small Rib and a Half Rib. The Small Rib is placed over the Half Rib.

Small Rib

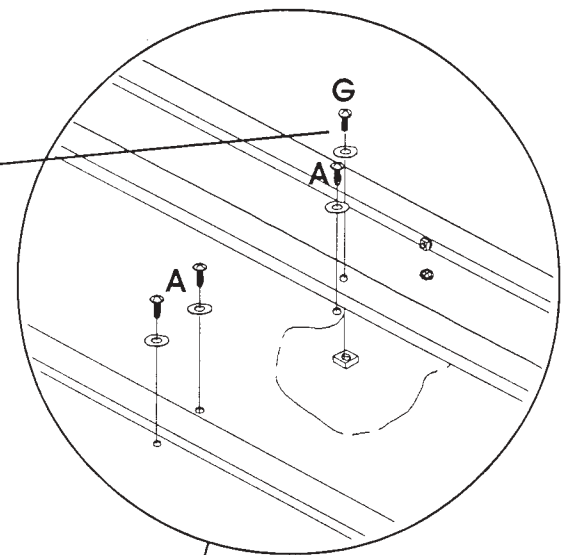
Half Rib



10069



All Panels are assembled with Bolt Washer & Nut at center where Panels overlap.



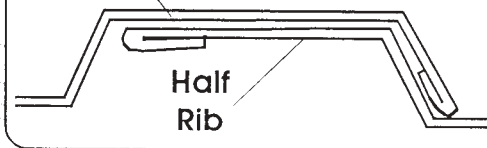
10069



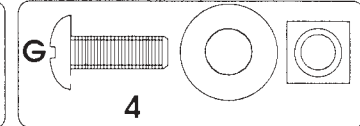
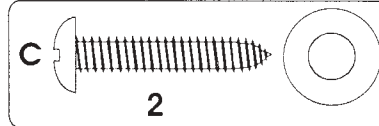
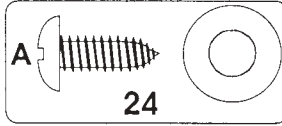
The Roof Panels on this side join with a Large Rib and a Half Rib. The Large Rib is placed over the Half Rib.

Large Rib

Half Rib

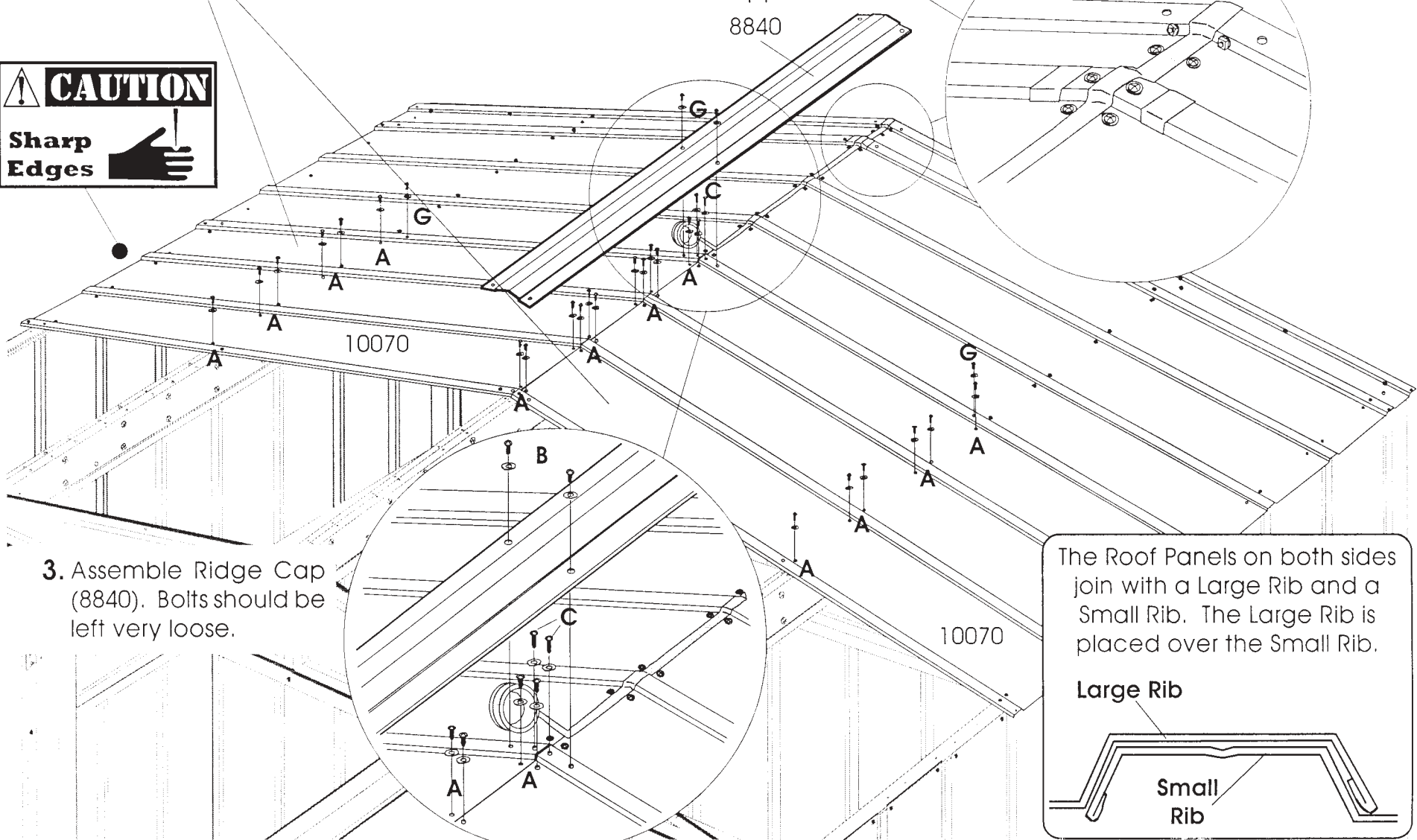


Roof Panels Continued . . .



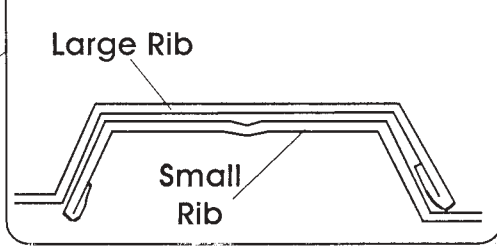
1. Assemble Roof Panels (10070).

2. Continue applying Weather Stripping Tape. Place two of the 2" pieces of tape on Bolt hole of first overlapped Panel.

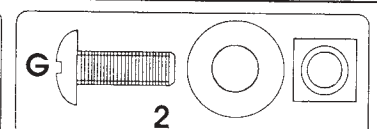
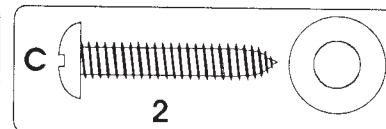
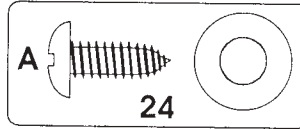


3. Assemble Ridge Cap (8840). Bolts should be left very loose.

The Roof Panels on both sides join with a Large Rib and a Small Rib. The Large Rib is placed over the Small Rib.



Roof Panels Continued . . .

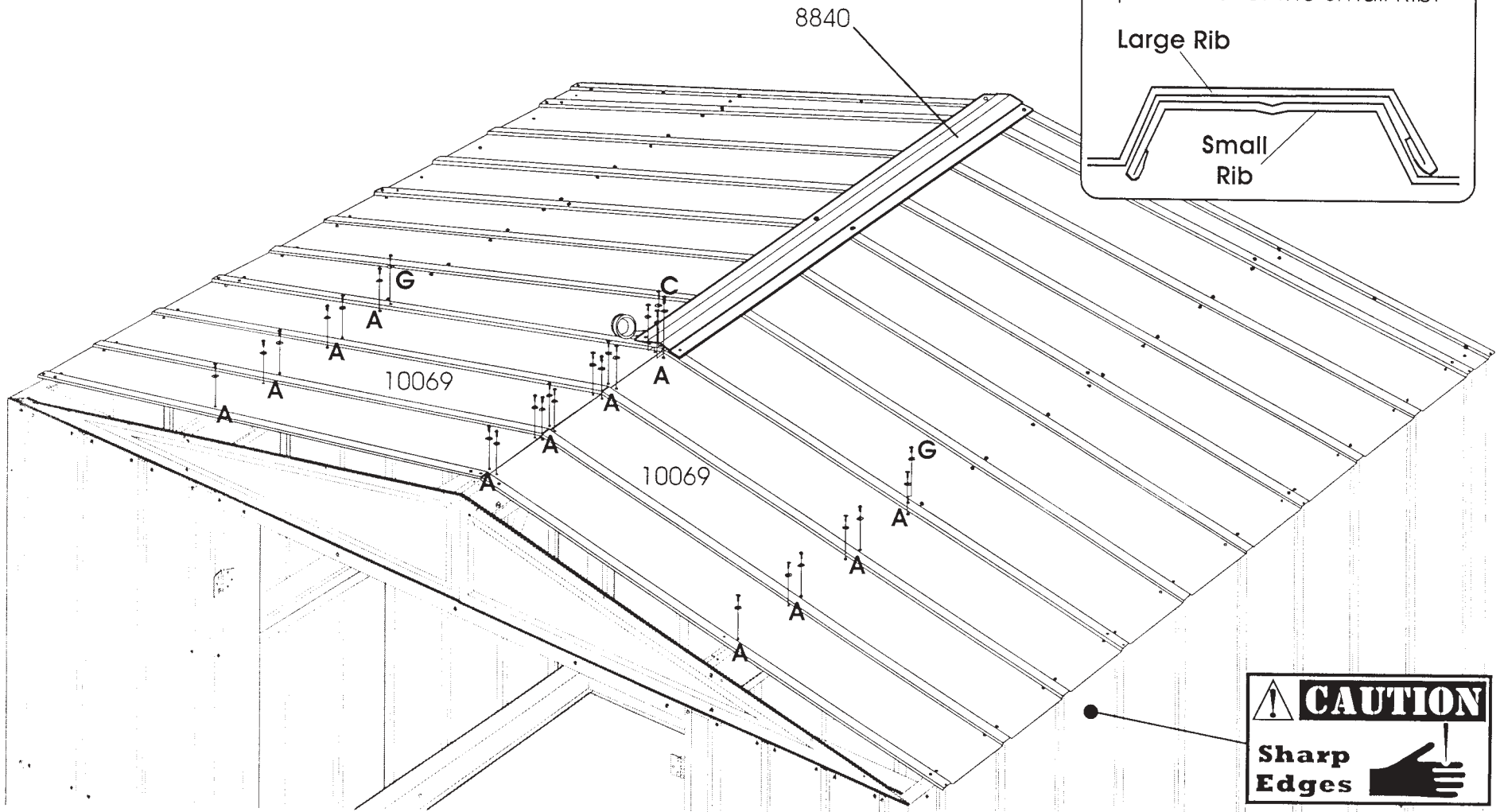


Assemble Roof Panels (10069). Ridge Cap (8840) will have to be moved slightly from side to side to allow (C) Screw to be assembled in Panel overlap.

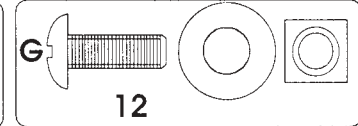
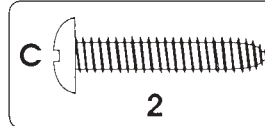
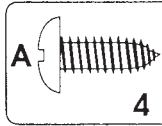
The Roof Panels on both sides join with a Large Rib and a Small Rib. The Large Rib is placed over the Small Rib.

Large Rib

Small Rib

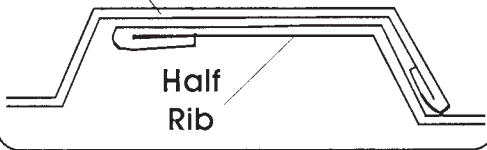


Roof Panels Continued . . .



The Roof Panels on this side join with a Large Rib and a Half Rib. The Large Rib is placed over the Half Rib.

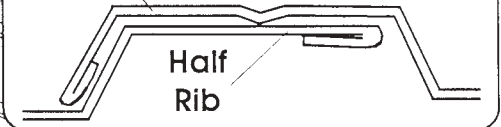
Large Rib



Half Rib

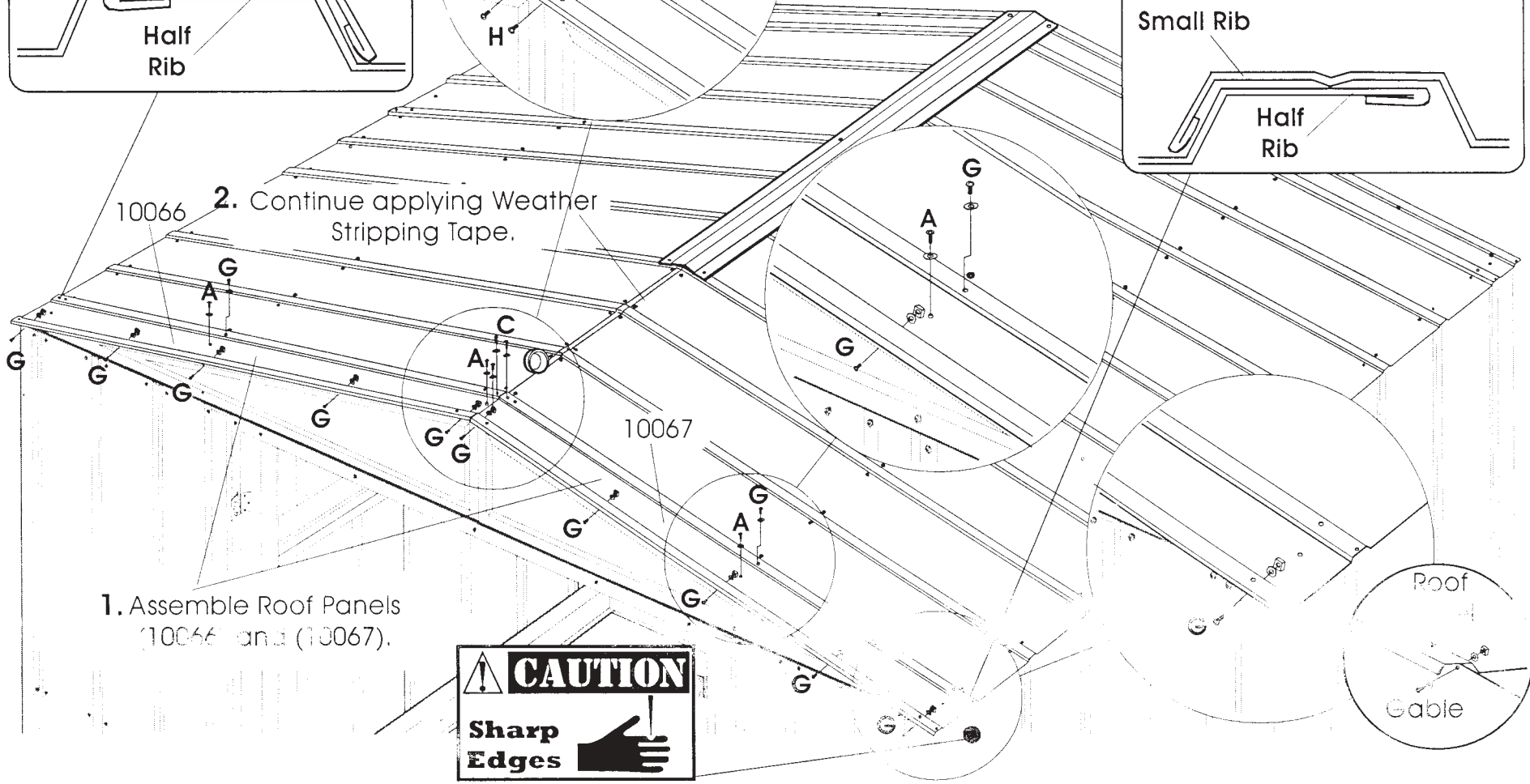
The Roof Panels on this side join with a Small Rib and a Half Rib. The Small Rib is placed over the Half Rib.

Small Rib

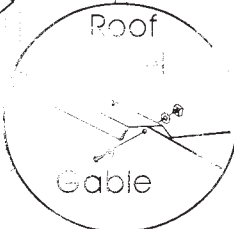


Half Rib

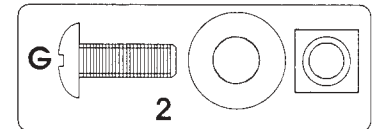
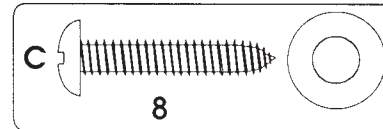
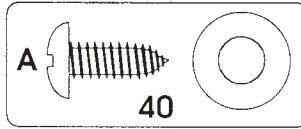
10066 2. Continue applying Weather Stripping Tape.



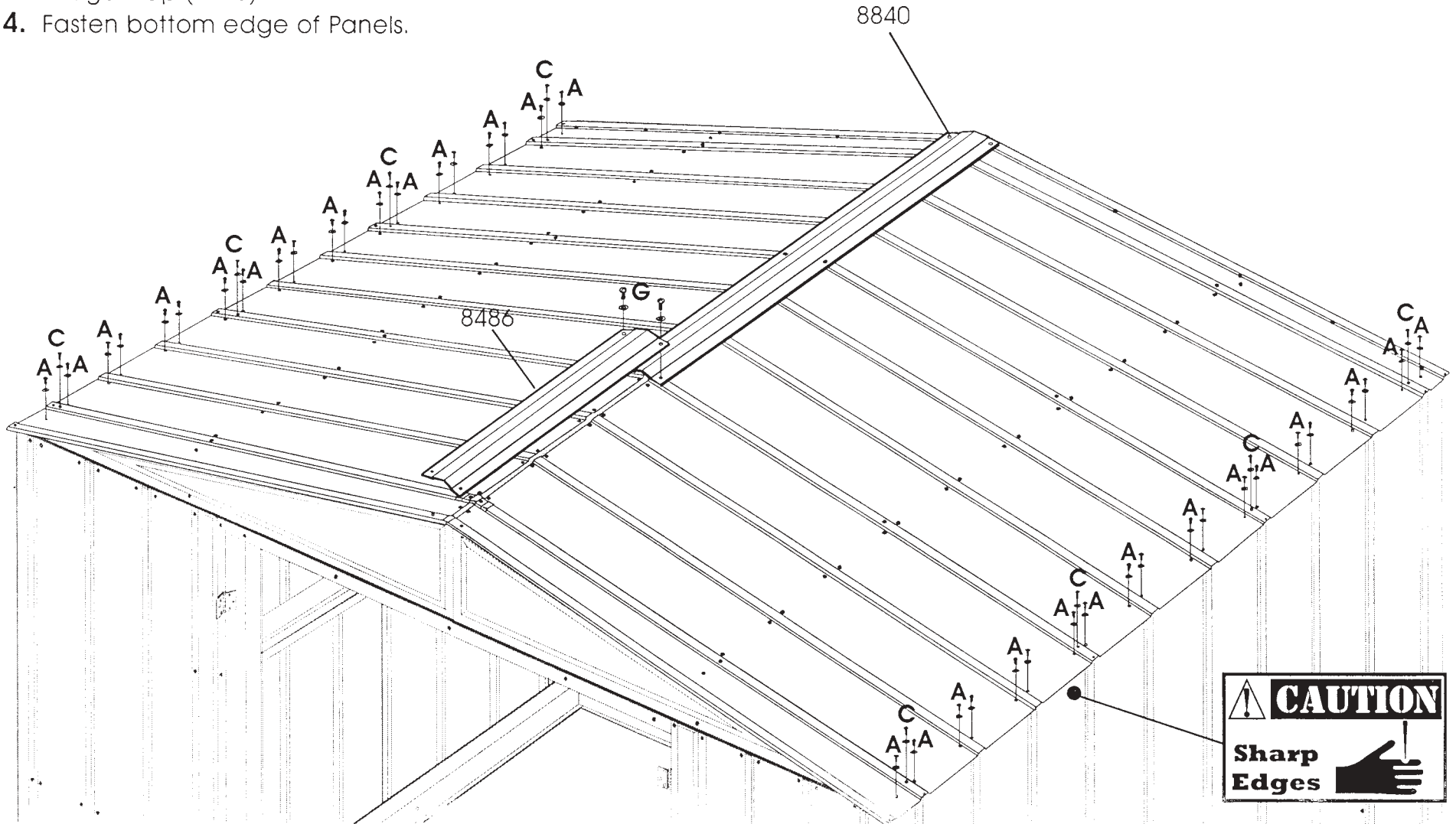
1. Assemble Roof Panels (10066 and 10067).



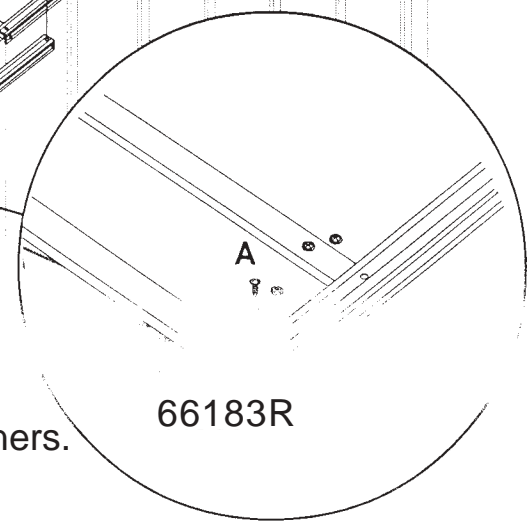
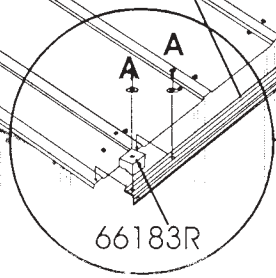
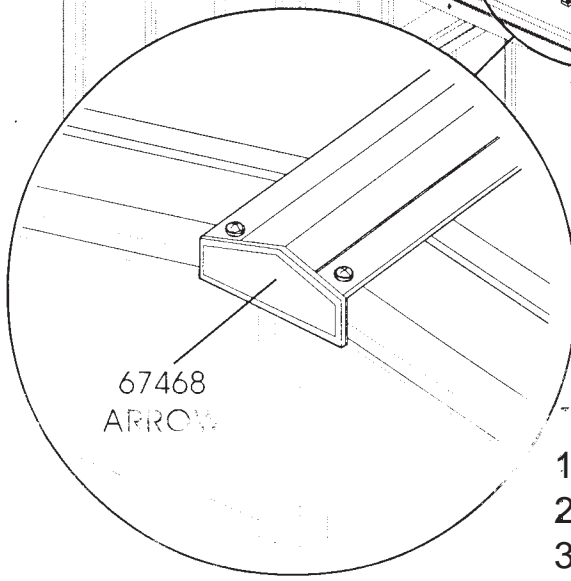
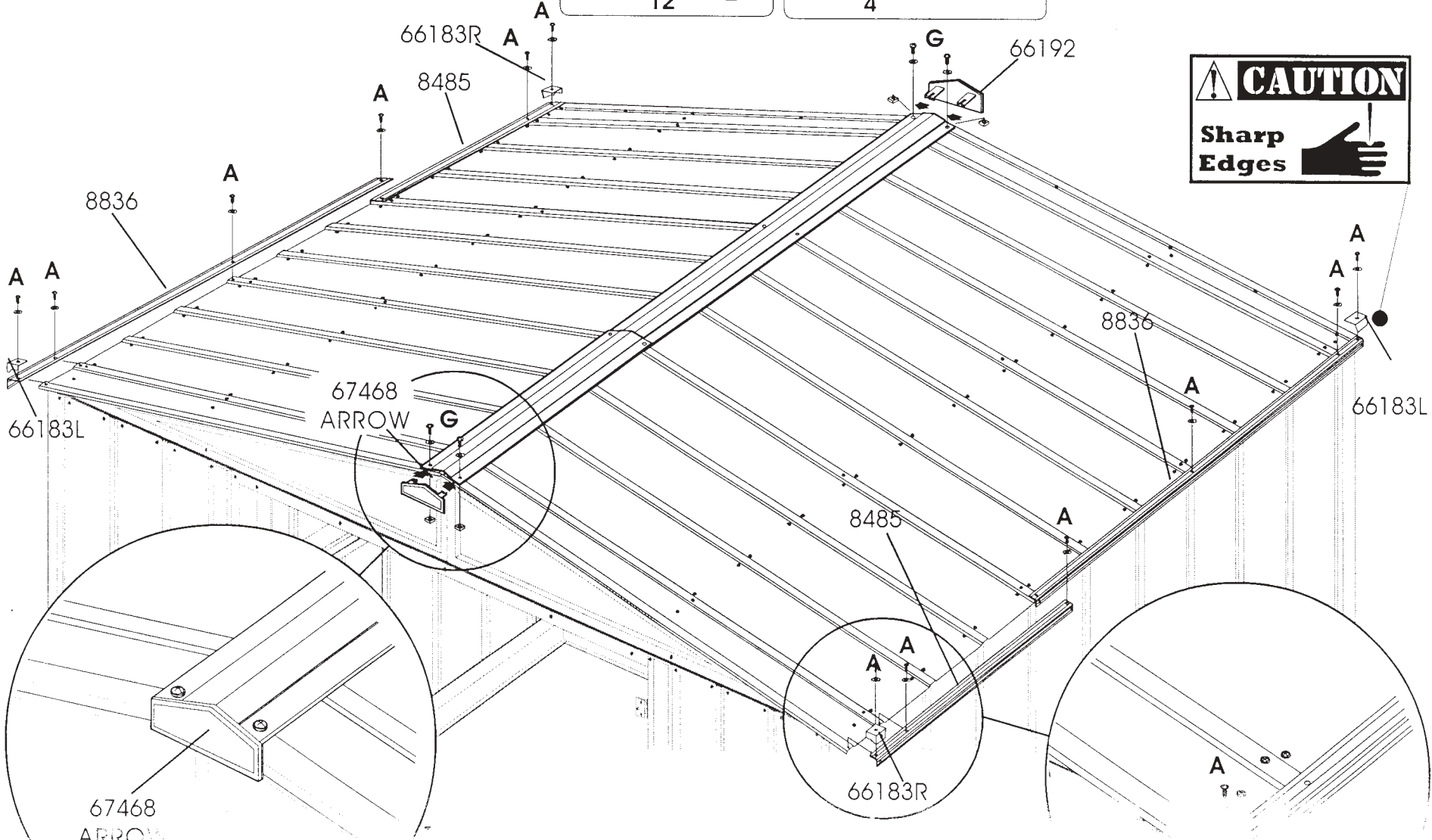
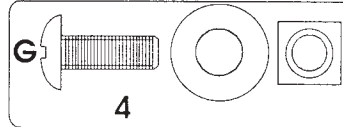
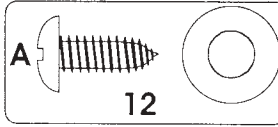
Roof Panels Continued . . .



1. Continue applying Weather Stripping Tape.
2. Apply two inch pieces of Tape to Bolt Hole on last overlapped Panels.
3. Assemble Ridge Cap (8486) and tighten bolts on Ridge Cap (8840).
4. Fasten bottom edge of Panels.



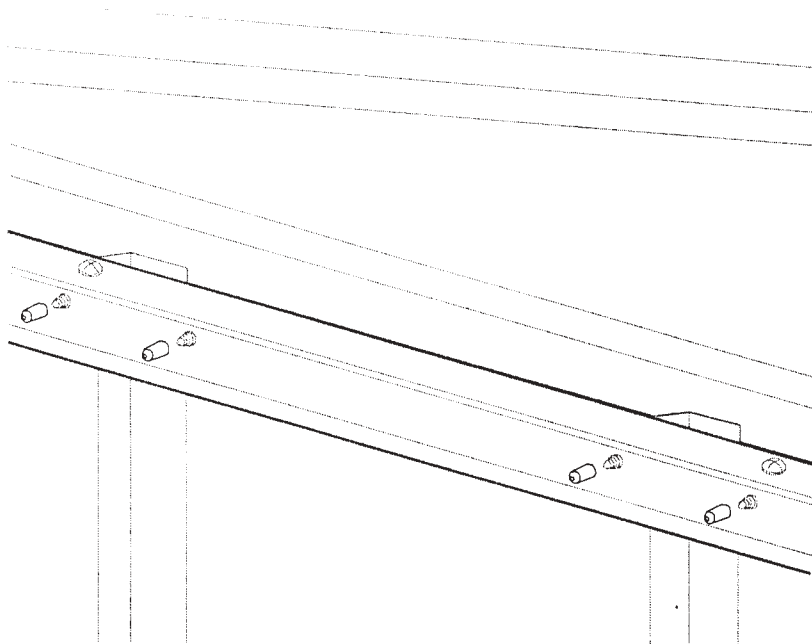
Step 14 Trim and Caps



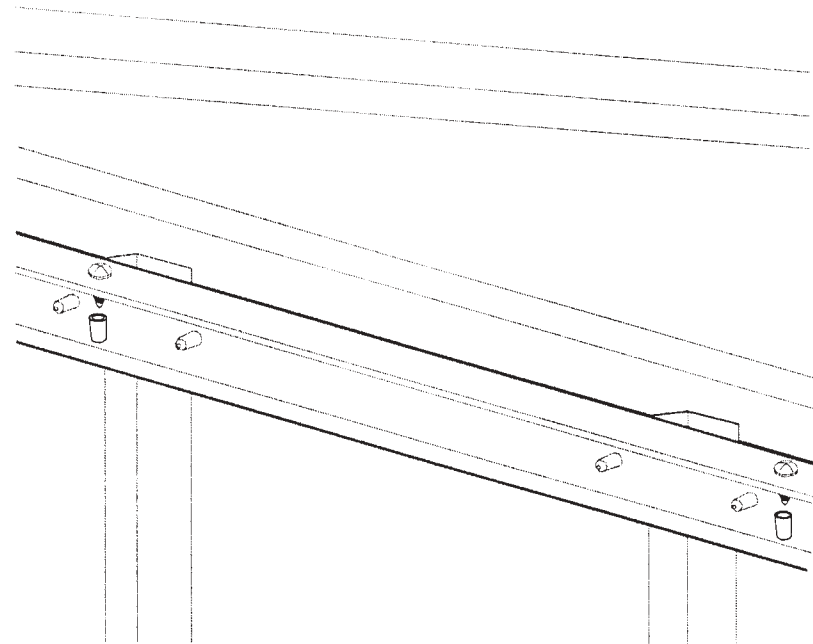
1. Attach Trim (8836) & (8485).
2. Attach Trim Caps (66183R & 66183L) to corners.
3. Attach Peak Caps (67468 & 66192).

66183R

Step 15 Screw Caps



Place Screws Caps on screws ends protruding from the side of Top Wall Angles.

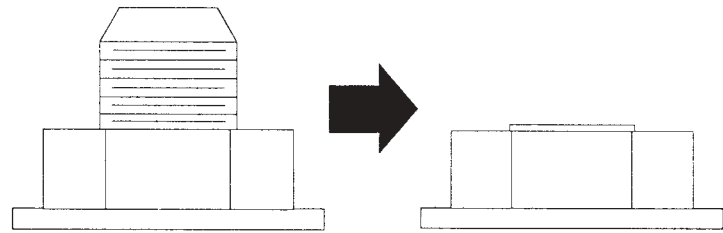
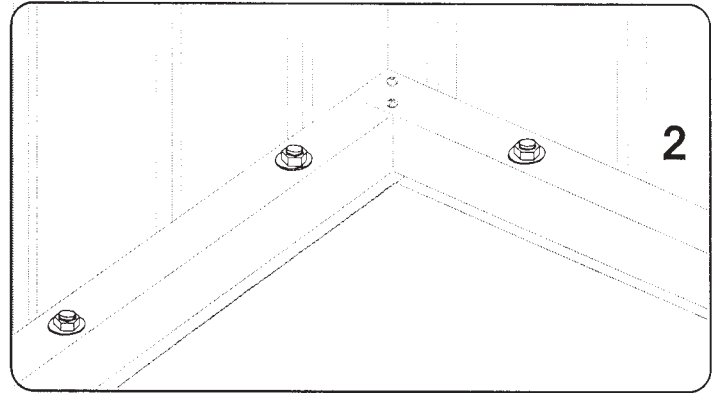
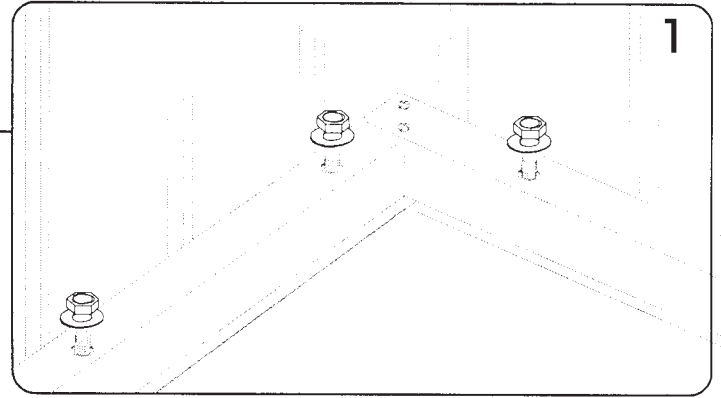
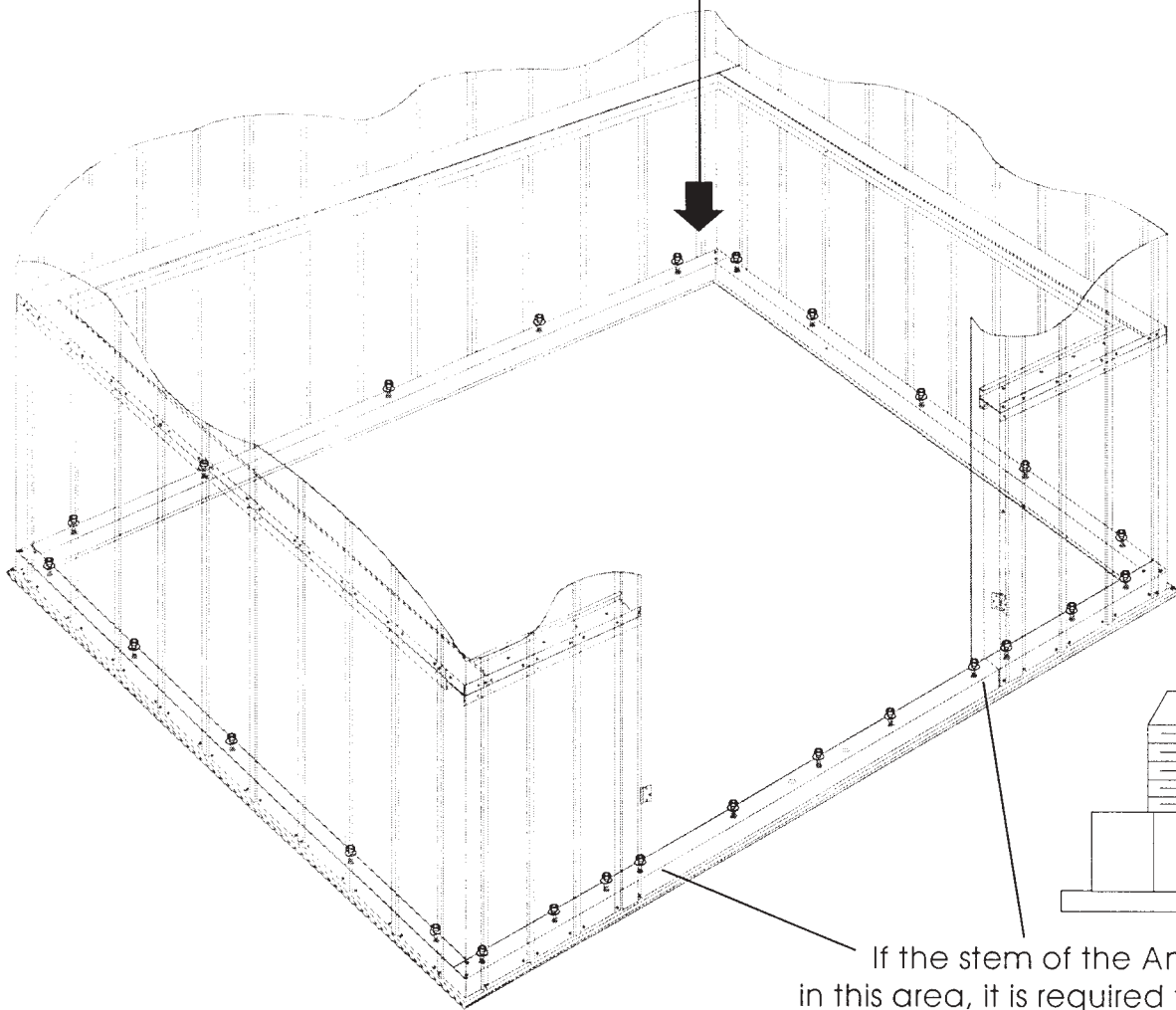


Place Screws Caps on screws ends protruding from underneath Top Wall Angles.

Step 16 Anchoring

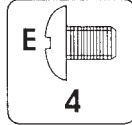
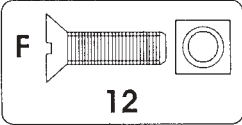


Place Hex Nut and Washer on all Anchor Bolts and tighten.



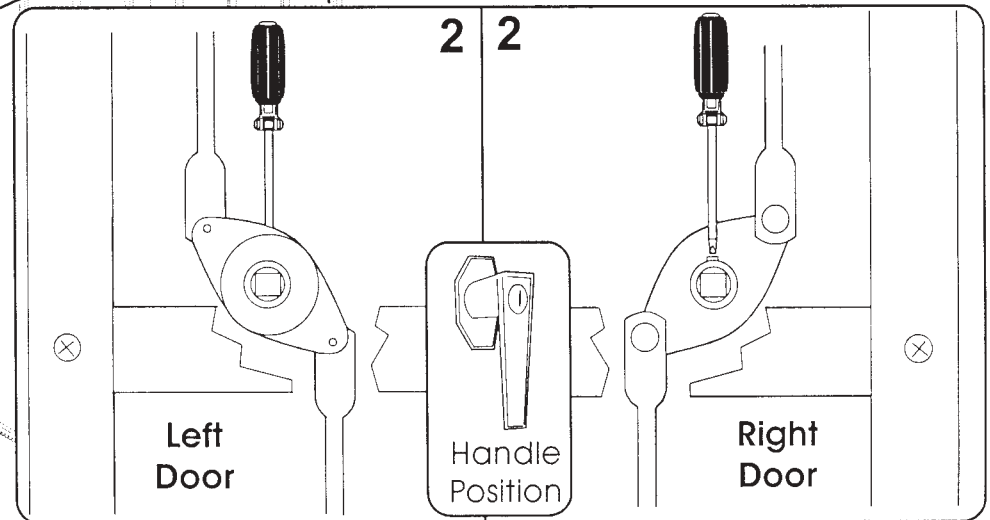
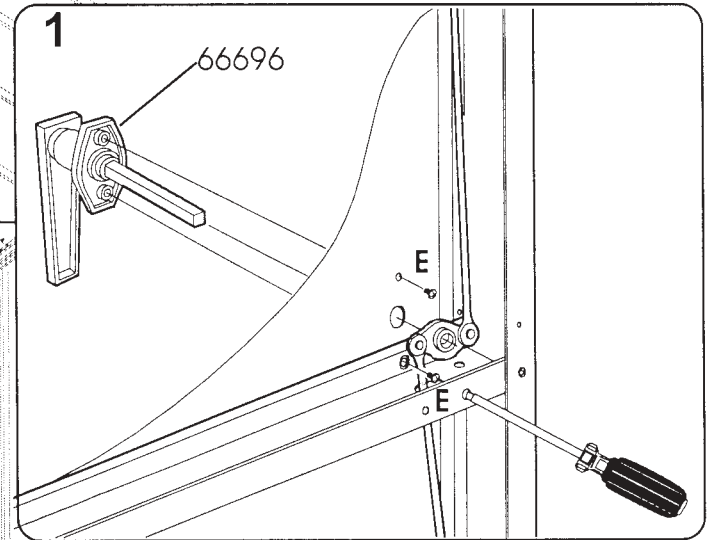
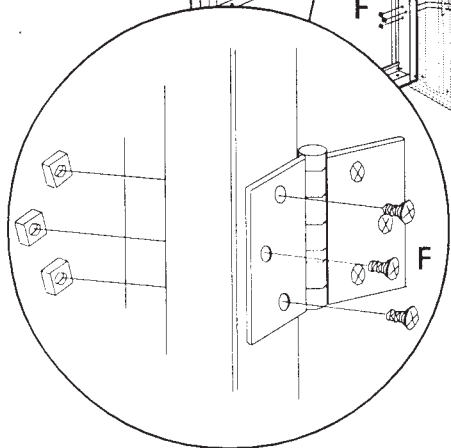
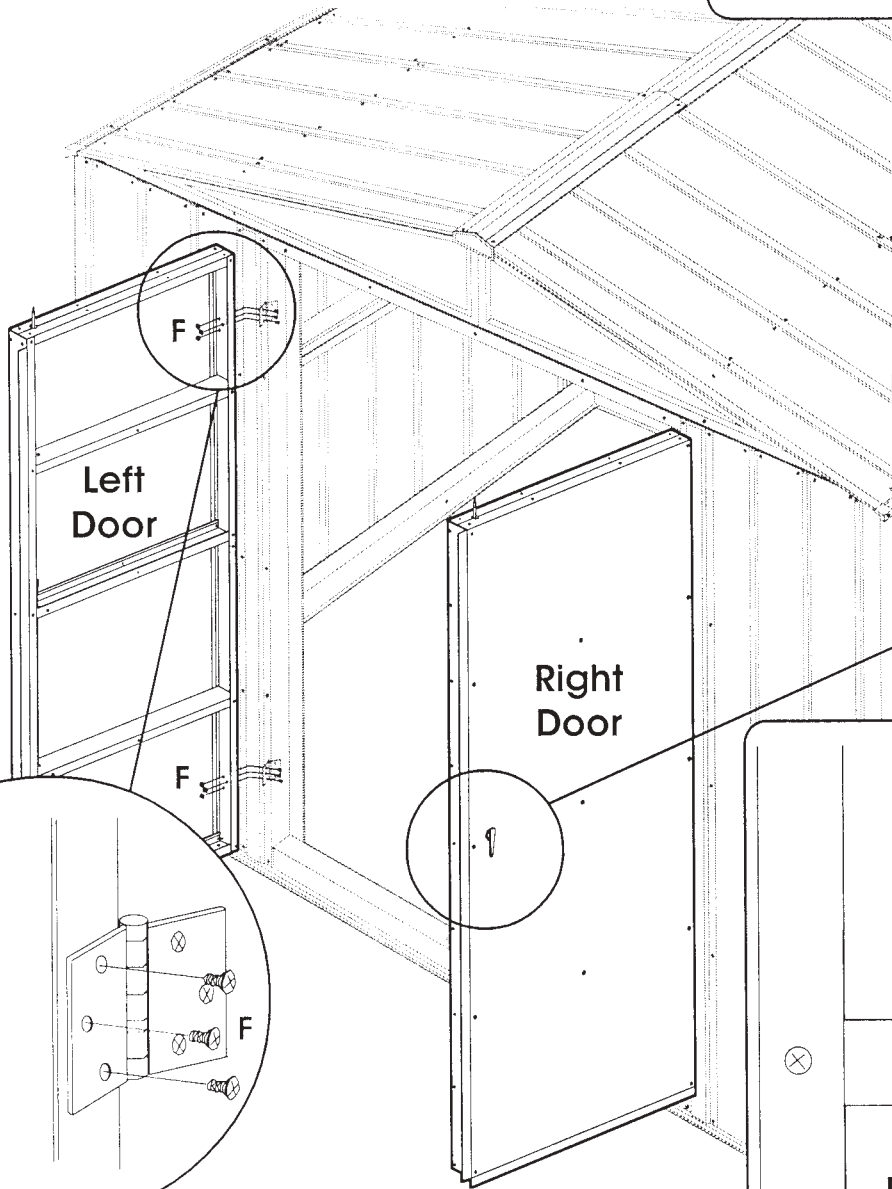
If the stem of the Anchor Bolt sticks out above the Hex Nut in this area, it is required that the stem be cut off above the Hex Nut.

Step 17 Doors



Before Installing Doors
Check All Fasteners
IF LOOSE, RETIGHTEN!

Attach both Right & Left Door
Handles (66696 & 66697) as
marked on bag.



Care & Maintenance

Finish: For long lasting finish, periodically clean and wax the exterior surface. Touch up scratches as soon as you notice them on your building. Immediately clean the area with a wire brush; wash it and apply touch up paint per manufacturer's recommendation.

Roof: Keep roof clean of leaves and snow with long handled, soft bristled broom. Heavy amounts of snow on roof can damage the building making it unsafe to enter.

Doors: Keep doors closed to prevent wind damage.

Fasteners: Regularly check you building for loose screws, bolts, nuts, etc. and retighten them as necessary.

Moisture: With changing temperatures, condensation will accumulate inside the building.

Other Tips: A noncorrosive caulking is helpful to seal the building.



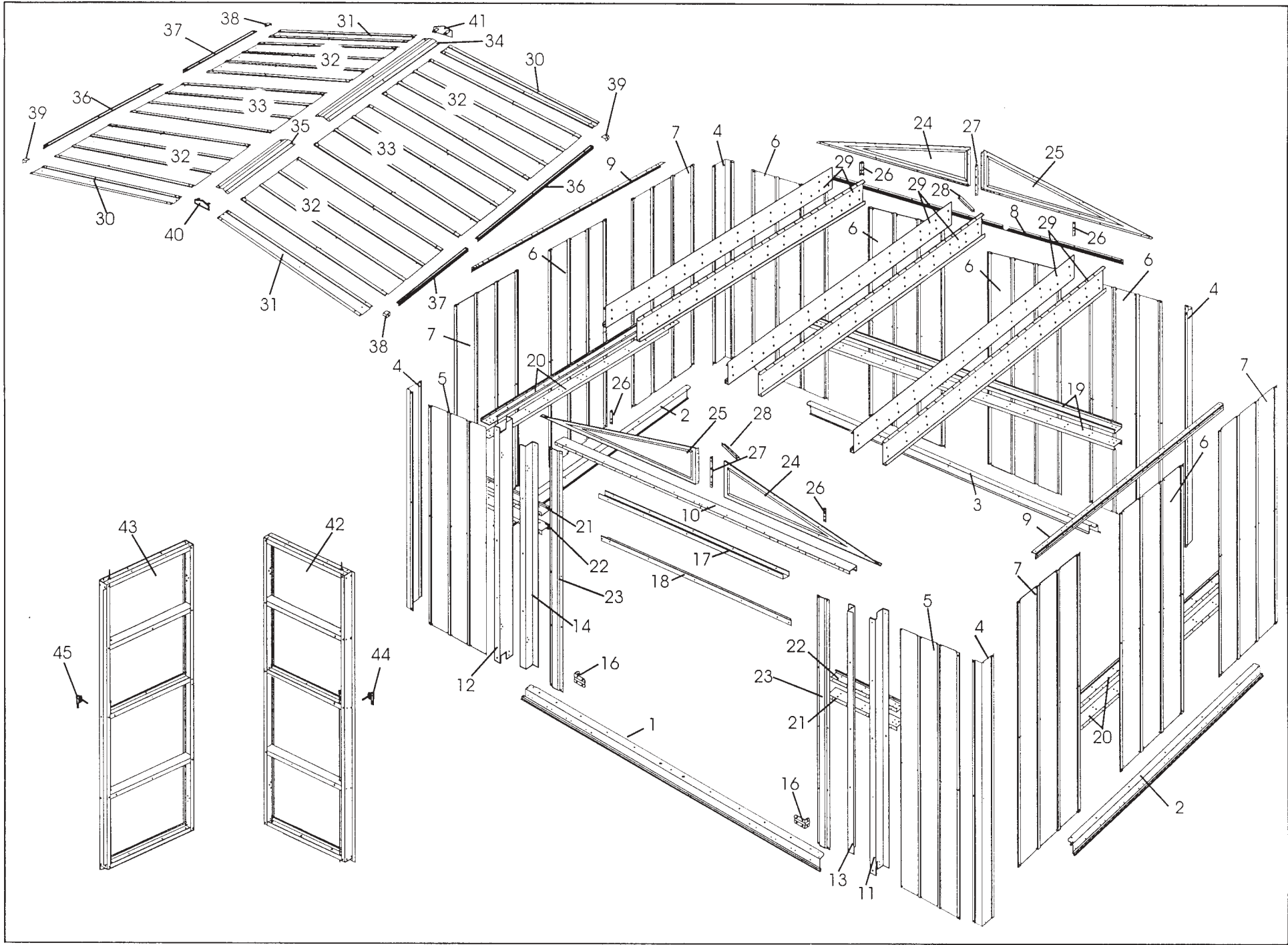
**Do Not store swimming pool chemicals in your building.
Combustibles and corrosives must be stored in air tight containers.**



Arrow Group Industries

1101 North Fourth Street
Breese, Illinois 62230





Homestead 108

Arrow Group Industries

1101 North Fourth Street
Breese, Illinois 62230

