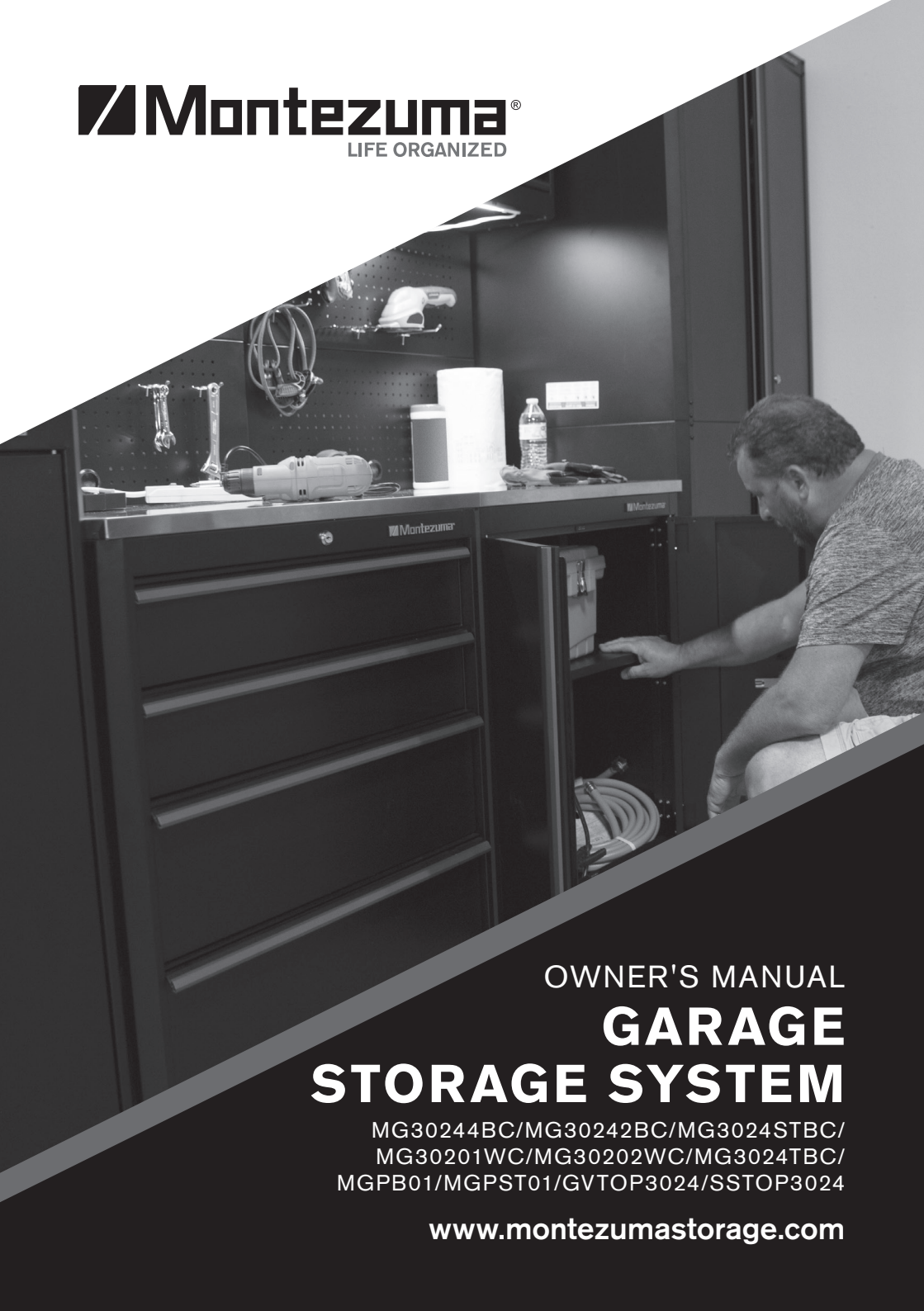


Montezuma[®]
LIFE ORGANIZED



OWNER'S MANUAL
**GARAGE
STORAGE SYSTEM**

MG30244BC/MG30242BC/MG3024STBC/
MG30201WC/MG30202WC/MG3024TBC/
MGPB01/MGPST01/GVTOP3024/SSTOP3024

www.montezumastorage.com

LIFE ORGANIZED

Montezuma is committed to helping you succeed in both your work and personal life by being organized, prepared and equipped with the right tools, gear and home supplies at your finger tips.

We are here to ensure that your life is organized.

Thank you for your purchase of this Montezuma Garage Storage System.

ATTENTION

TO REDUCE THE RISK OF INJURY, THE USER MUST READ AND UNDERSTAND THIS INSTRUCTION MANUAL BEFORE USING THIS PRODUCT FOR THE FIRST TIME. SAVE THESE INSTRUCTIONS FOR FUTURE REFERENCE.

Fill in the following information and retain this owner's manual for future reference:

MODEL(S):

DATE OF PURCHASE:

PLACE OF PURCHASE:

RECEIPT NO:

SPECIFICATIONS

4-DRAWER BASE CABINET

MG30244BC

OVERALL DIMENSIONS:

30-1/2" W x 24-1/8" D x 34-3/4" H
(77.6 cm W x 61.3 cm D x 88.1 cm H)

NET WEIGHT: 125.66 lb (57 kg)

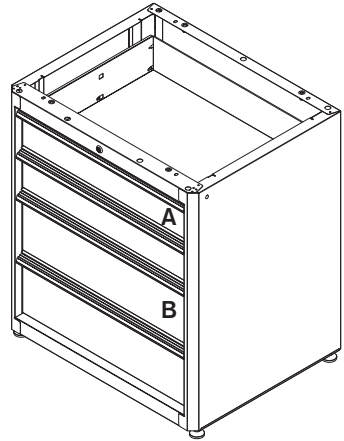
MAXIMUM WEIGHT CAPACITY: 500 lb (227 kg)

MAXIMUM DRAWER CAPACITY: 100 lb (45 kg)

INSIDE DRAWER DIMENSIONS:

REF	DIMENSIONS	QTY
A	26-3/8" W x 20-3/4" D x 5-1/4" H (67.1 cm W x 52.8 cm D x 13.4 cm H)	2
B	26-3/8" W x 20-3/4" D x 8-1/4" H (67.1 cm W x 52.8 cm D x 20.9 cm H)	2

* Dimensions do not include adjustable feet.



2-DOOR BASE CABINET

MG30242BC

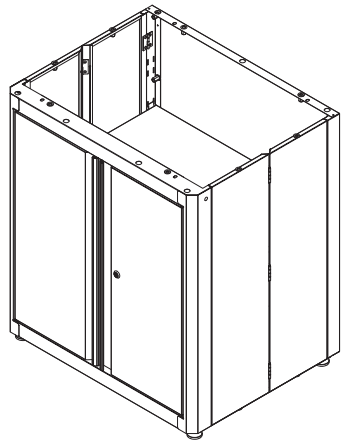
OVERALL DIMENSIONS:

30-1/2" W x 24" D x 34-3/4" H
(77.6 cm W x 61 cm D x 88.1 cm H)

NET WEIGHT: 77.16 lb (35 kg)

MAXIMUM SHELF WEIGHT CAPACITY: 100 lb (45 kg)

* Dimensions do not include adjustable feet.



2-DOOR STACKING CABINET

MG3024STBC

OVERALL DIMENSIONS:

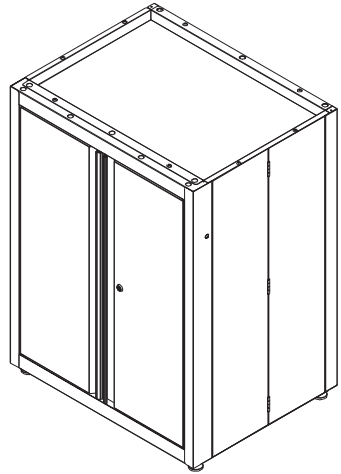
30-1/2" W x 24" D x 40" H

(77.6 cm W x 61 cm D x 101.6 cm H)

NET WEIGHT: 62.83 lb (28.5 kg)

MAXIMUM SHELF WEIGHT CAPACITY: 100 lb (45 kg)

** Dimensions do not include adjustable feet.*



1-DOOR WALL CABINET

MG30201WC

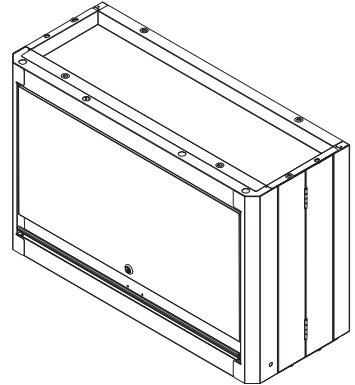
OVERALL DIMENSIONS:

30-1/2" W x 12" D x 20-1/8" H

(77.6 cm W x 30.5 cm D x 51 cm H)

NET WEIGHT: 28.66 lb (13 kg)

MAXIMUM SHELF WEIGHT CAPACITY: 50 lb (23 kg)



2-DOOR WALL CABINET

MG30202WC

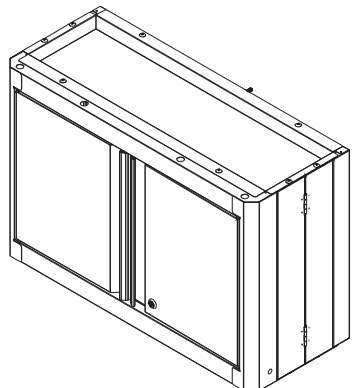
OVERALL DIMENSIONS:

30-1/2" W x 12" D x 20-1/8" H

(77.6 cm W x 30.5 cm D x 51 cm H)

NET WEIGHT: 28.66 lb (13 kg)

MAXIMUM SHELF WEIGHT CAPACITY: 50 lb (23 kg)



2-DOOR TALL CABINET

MG3024TBC

OVERALL DIMENSIONS:

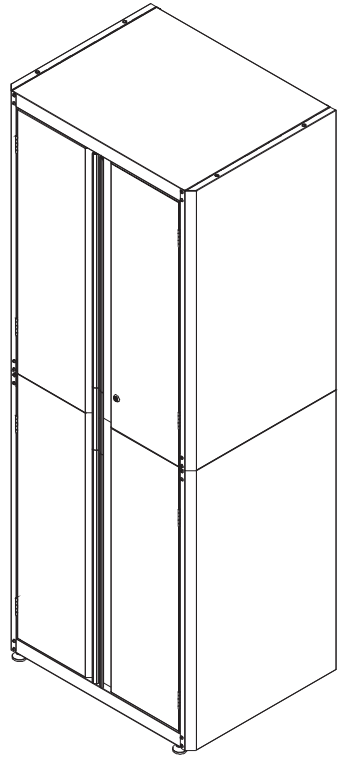
30-1/2" W x 24" D x 80" H

(77.6 cm W x 61 cm D x 203.1 cm H)

NET WEIGHT: 119.05 lb (54 kg)

MAXIMUM SHELF WEIGHT CAPACITY: 100 lb (45 kg)

** Dimensions do not include adjustable feet.*



PEGBOARD BACK WALL

MGPB01

OVERALL DIMENSIONS:

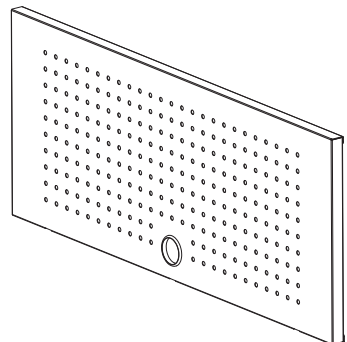
30-1/2" W x 12-5/8" D x 7/8" H

(77.5 cm W x 32 cm D x 2.2 cm H)

NET WEIGHT: 4.41 lb (2 kg)

MAXIMUM WEIGHT CAPACITY: 50 lb (23 kg)

** per each pegboard*

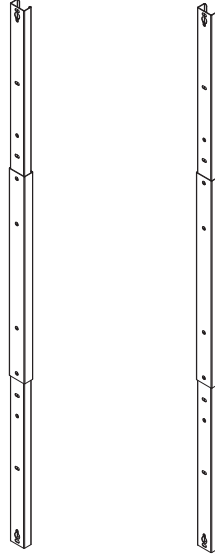


POSTS

MGPST01

OVERALL DIMENSIONS:

2-1/8" W x 1-1/4" D x 65-3/8" H
(5.5 cm W x 3.1 cm D x 166.1 cm H)
NET WEIGHT: 5.73 lb (2.6 kg)

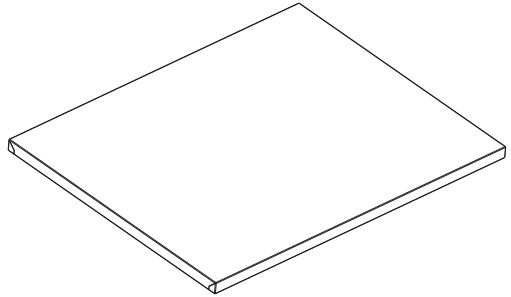


WORKTOPS

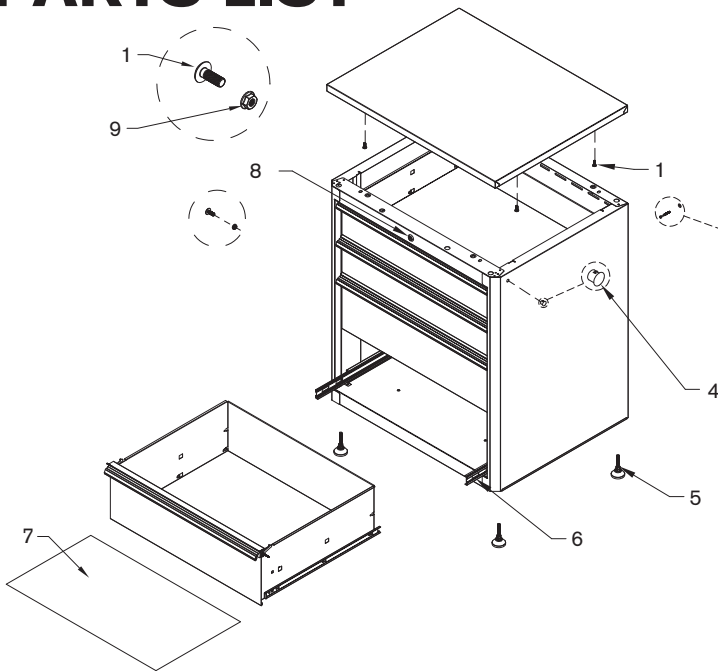
Galvanized Steel: GVTOP3024
Stainless Steel: SSTOP3024

OVERALL DIMENSIONS:

30-1/2" W x 24" D x 1" H
(77.6 cm W x 61 cm D x 2.7 cm H)
NET WEIGHT: 25.35 lb (11.5 kg)



4-DRAWER BASE CABINET PARTS LIST



Galvanized steel and stainless steel worktops available. See page 6.

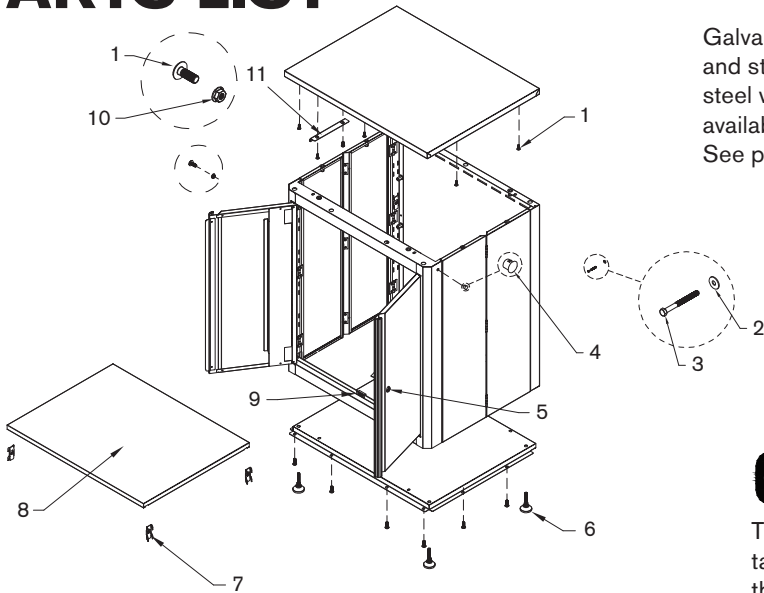


The keys are taped to the top drawer of the cabinet.

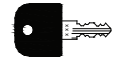
REF	DESCRIPTION	PART NUMBER	QTY
1	M6 x 16 Hex Socket Head Screw	320327	5
2	Washer	324050	3
3	M6 x 65 Hex Tapping Screw	320316	3
4	End Cover	314195	2
5	Adjustable Feet	110068	4
6	Slide Set	300176–300177	4
7	Drawer Liner	552120	4
8	Lock and Key	304178	1
9	M6 Hex Flange Nut	323085	1

To order replacement parts, email service@qualitycraft.com or call 1-800-459-4409 (Monday–Friday, 8:00 am–4:30 pm, CST). Have the part number and quantity ready. Replacement keys may be ordered using the code that appears on the face of the lock. Not all parts are covered under warranty. Those parts not covered can be purchased.

2-DOOR BASE CABINET PARTS LIST



Galvanized steel and stainless steel worktops available. See page 6.

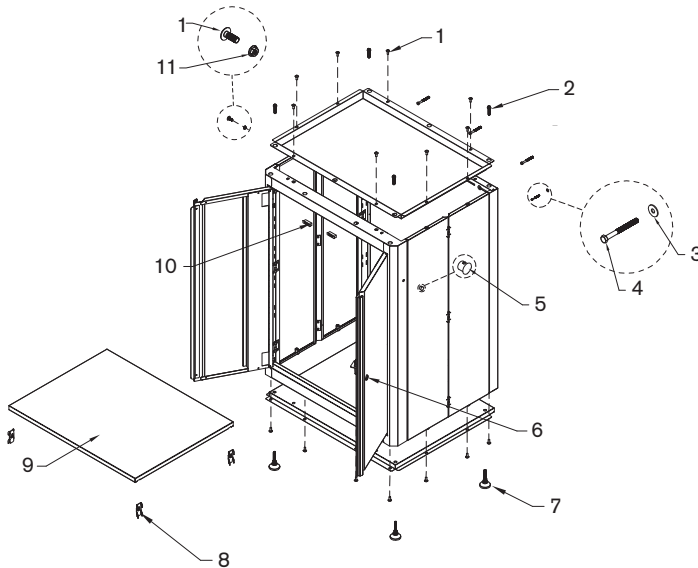


The keys are taped inside the cabinet.

REF	DESCRIPTION	PART NUMBER	QTY
1	M6 x 16 Hex Socket Head Screw	320327	20
2	Washer	324050	3
3	M6 x 65 Hex Tapping Screw	320316	3
4	End Cover	314195	2
5	Lock and Key	304178	1
6	Adjustable Feet	110068	4
7	Shelf Support	226078	4
8	Shelf	116214	1
9	Magnet	312033	2
10	M6 Hex Flange Nut	323085	1
11	Bracket	234542	2

To order replacement parts, email service@qualitycraft.com or call 1-800-459-4409 (Monday–Friday, 8:00 am–4:30 pm, CST). Have the part number and quantity ready. Replacement keys may be ordered using the code that appears on the face of the lock. Not all parts are covered under warranty. Those parts not covered can be purchased.

2-DOOR STACKING CABINET PARTS LIST

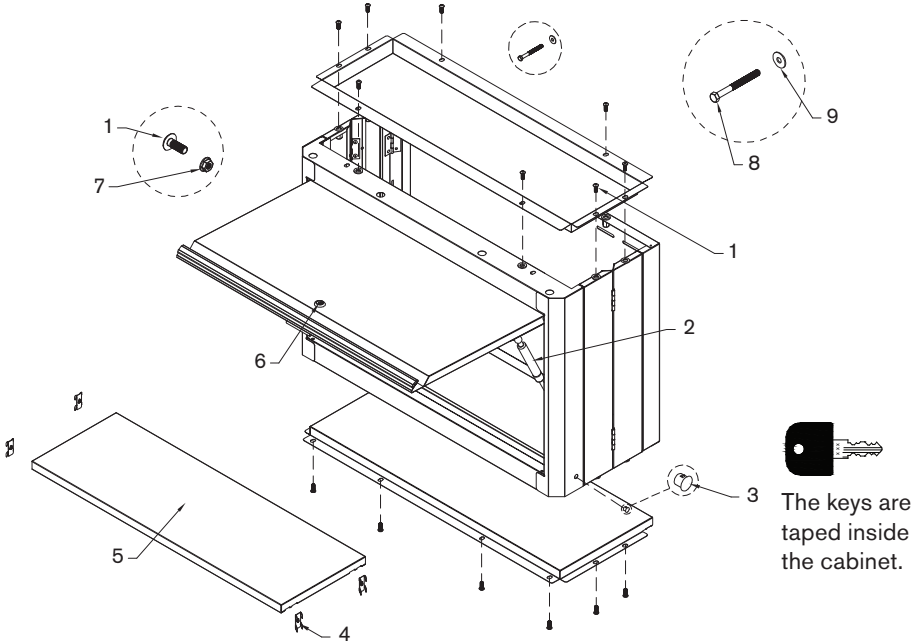


The keys are taped inside the cabinet.

REF	DESCRIPTION	PART NUMBER	QTY
1	M6 x 16 Hex Socket Head Screw	320327	20
2	M6 x 35 Hex Flange Bolt	321208	4
3	Washer	324050	3
4	M6 x 65 Hex Tapping Screw	320316	3
5	End Cover	314195	2
6	Lock and Key	304178	1
7	Adjustable Feet	110068	4
8	Shelf Support	226078	4
9	Shelf	116214	1
10	Magnet	312033	2
11	M6 Hex Flange Nut	323085	1

To order replacement parts, email service@qualitycraft.com or call 1-800-459-4409 (Monday–Friday, 8:00 am–4:30 pm, CST). Have the part number and quantity ready. Replacement keys may be ordered using the code that appears on the face of the lock. Not all parts are covered under warranty. Those parts not covered can be purchased.

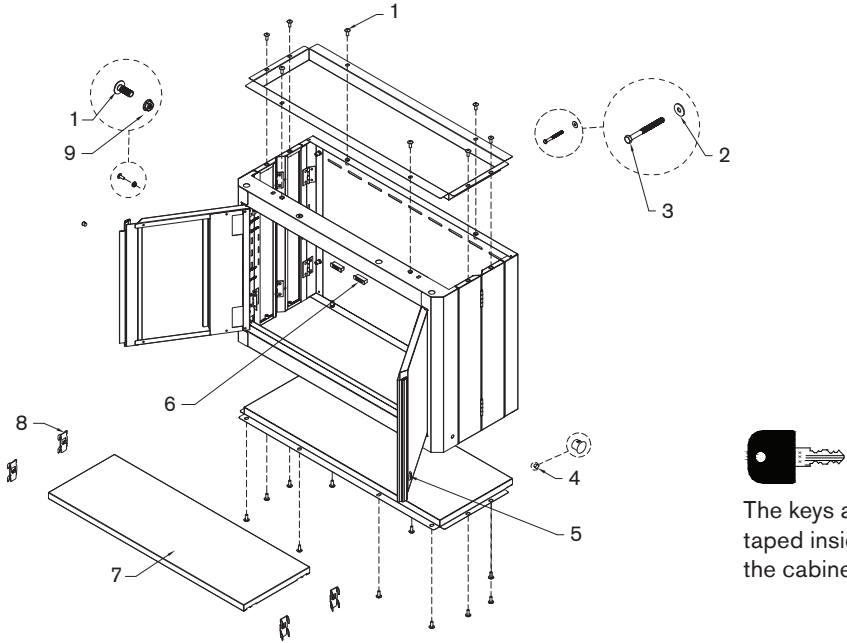
1-DOOR WALL CABINET PARTS LIST



REF	DESCRIPTION	PART NUMBER	QTY
1	M6 x 16 Hex Socket Head Screw	320327	20
2	Gas Strut	303002	2
3	End Cover	314195	2
4	Shelf Support	226078	4
5	Shelf	233955	1
6	Lock and Key	304178	1
7	M6 Hex Flange Nut	323085	1
8	M6 x 65 Hex Tapping Screw	320316	3
9	Washer	324050	3

To order replacement parts, email service@qualitycraft.com or call 1-800-459-4409 (Monday–Friday, 8:00 am–4:30 pm, CST). Have the part number and quantity ready. Replacement keys may be ordered using the code that appears on the face of the lock. Not all parts are covered under warranty. Those parts not covered can be purchased.

2-DOOR WALL CABINET PARTS LIST

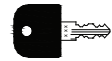
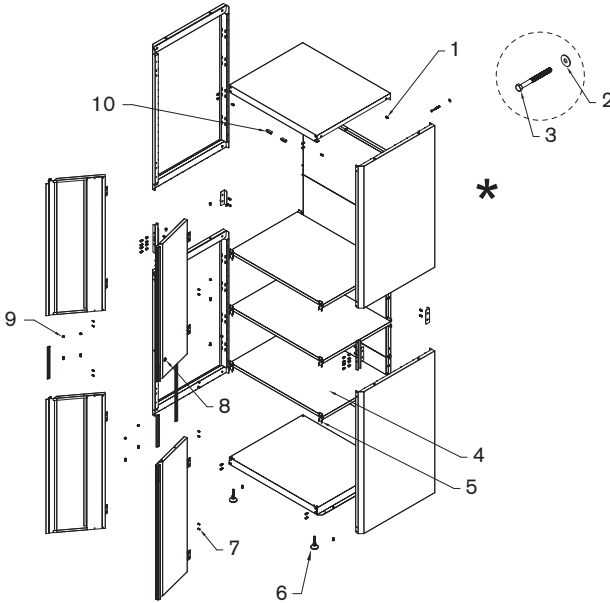


The keys are taped inside the cabinet.

REF	DESCRIPTION	PART NUMBER	QTY
1	M6 x 16 Hex Socket Head Screw	320327	20
2	Washer	324050	3
3	M6 x 65 Hex Tapping Screw	320316	3
4	End Cover	314195	2
5	Lock and Key	304178	1
6	Magnet	312033	2
7	Shelf	233955	1
8	Shelf Support	226078	4
9	M6 Hex Flange Nut	323085	1

To order replacement parts, email service@qualitycraft.com or call 1-800-459-4409 (Monday–Friday, 8:00 am–4:30 pm, CST). Have the part number and quantity ready. Replacement keys may be ordered using the code that appears on the face of the lock. Not all parts are covered under warranty. Those parts not covered can be purchased.

2-DOOR TALL CABINET PARTS LIST



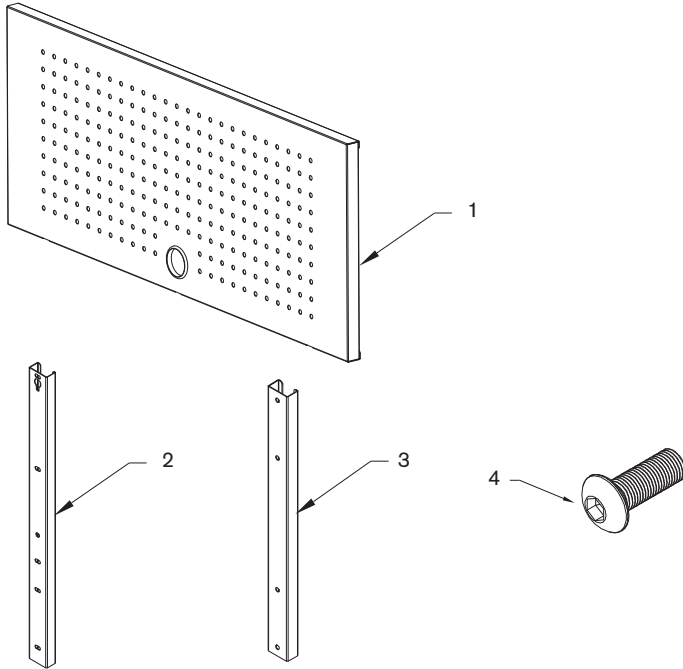
The keys are taped inside the cabinet.

REF	DESCRIPTION	PART NUMBER	QTY
1	M6 x 16 Hex Socket Head Screw	320327	53
2	Washer	324050	3
3	M6 x 65 Hex Tapping Screw	320316	3
4	Shelf	118986	3
5	Shelf Support	226078	12
6	Adjustable Feet	110068	4
7	M4 x 12 Phillips Head Bolt	320202	16
8	Lock and Key	304178	1
9	M6 Hex Flange Nut	323085	4
10	Magnet	312033	2

To order replacement parts, email service@qualitycraft.com or call 1-800-459-4409 (Monday–Friday, 8:00 am–4:30 pm, CST). Have the part number and quantity ready. Replacement keys may be ordered using the code that appears on the face of the lock. Not all parts are covered under warranty. Those parts not covered can be purchased.

PEGBOARD BACK WALL AND POSTS PARTS LIST

These parts are sufficient to attach one base cabinet to one wall cabinet. Pegboards and posts are sold separately.



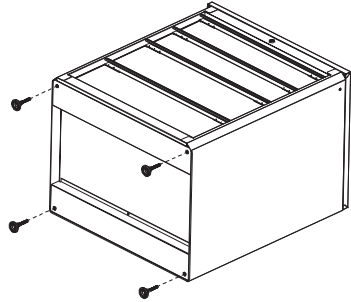
REF	DESCRIPTION	PART NUMBER	QTY
1	Pegboard	226913	2
2	Post A	226911	4
3	Post B	240368	2
4	M6 x 16 Hex Socket Head Screw	320327	18

To order replacement parts, email service@qualitycraft.com or call 1-800-459-4409 (Monday–Friday, 8:00 am–4:30 pm, CST). Have the part number and quantity ready. Replacement keys may be ordered using the code that appears on the face of the lock. Not all parts are covered under warranty. Those parts not covered can be purchased.

4-DRAWER BASE CABINET ASSEMBLY

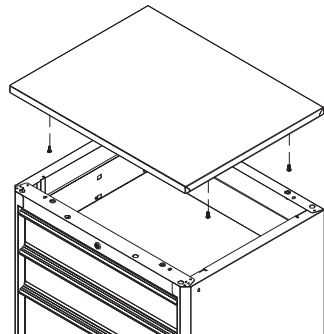
Carefully lay the cabinet on its back, with a soft mat underneath for protection.

Screw the four adjustable feet into the cabinet bottom. Turn the cabinet upright.



To add a worktop, remove the top drawer from the cabinet.

Attach the worktop to the cabinet using four M6 x 16 hex socket head screws.



WARNING: DO NOT STACK A BASE 4-DRAWER CABINET ON TOP OF ANOTHER CABINET.

IF YOU HAVE PURCHASED A PEGBOARD BACK WALL AND POST COMBINATION, PLEASE SEE PEGBOARD BACK WALL AND POST ASSEMBLY ON PAGE 35 TO COMPLETE ASSEMBLY.

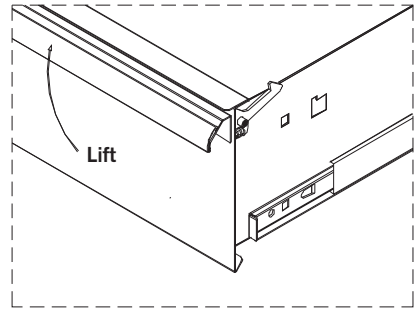
SEE FINISHING INSTALLATION ON PAGE 37 FOR HOW TO INSTALL YOUR ASSEMBLED UNIT IN YOUR GARAGE.

4-DRAWER BASE CABINET OPERATION

RAISE AND RELEASE DRAWER FRONTS

These units are equipped with raise and release drawer fronts. To open, lift up on the drawer front while pulling towards you. To close, shut the drawer firmly until the latch engages.

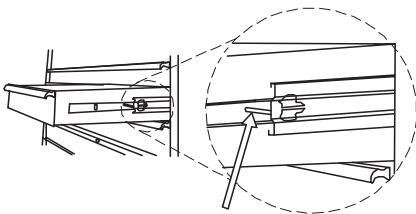
If the drawer does not stay closed, the hook may be bent, or it may be rubbing against the drawer slides. To fix this problem, lightly bend the hook until the drawer will engage in the slide.



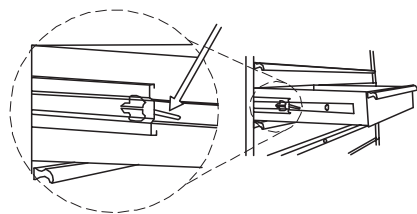
DRAWER REMOVAL

Pull the drawer out so that it's almost fully extended. Push up on the black release lever on one side, while pushing down on the black release lever on the other side. While holding the levers in these positions, pull the drawer outward until it is released from the drawer slide.

ONE SIDE – PUSH UP



OTHER SIDE – PUSH DOWN

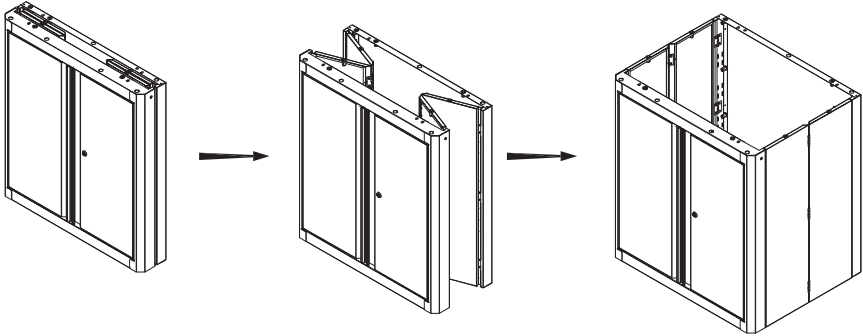


DRAWER REPLACEMENT

Extend the drawer slides from the unit. Insert the brackets on each side of the drawer into the slots in the slides, being careful that they are properly positioned. Once properly inserted, completely close the drawer to set the slides in position.

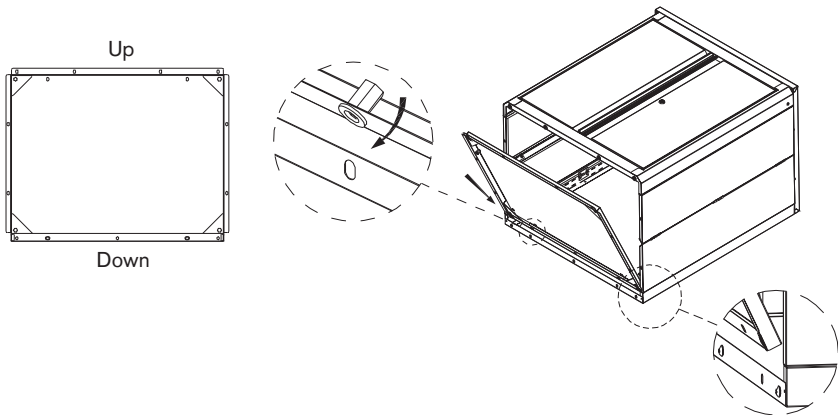
2-DOOR BASE CABINET ASSEMBLY

Carefully separate the front and back panels, allowing the side panels to unfold completely.

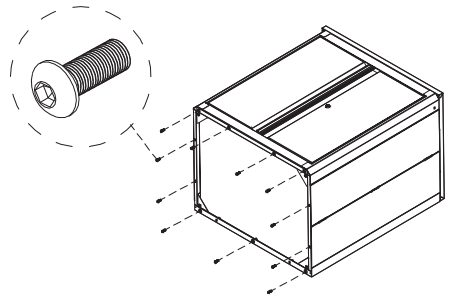


Carefully lay the cabinet on its back, with a soft mat underneath for protection.

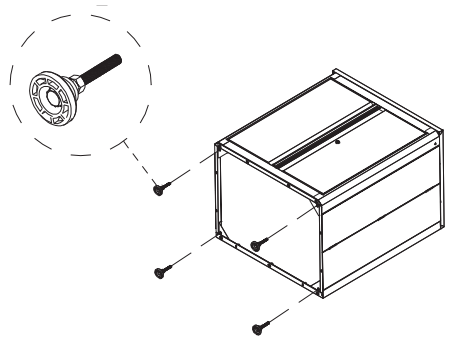
Insert the lip of the bottom panel into the slot in the back of the cabinet. Tilt the bottom panel onto the bottom of the cabinet. Make sure the holes align.



Attach the bottom panel using eleven M6 x 16 hex socket head screws.

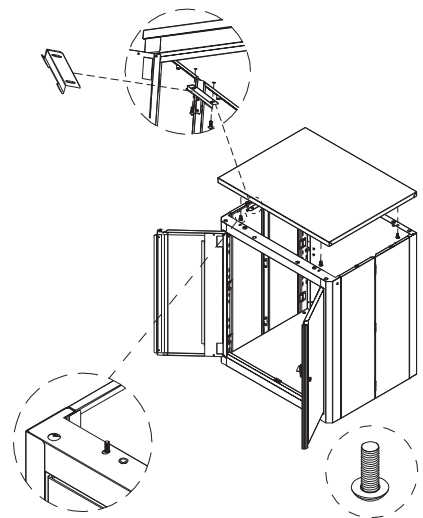


Screw the four adjustable feet into the cabinet bottom. Turn the cabinet upright.



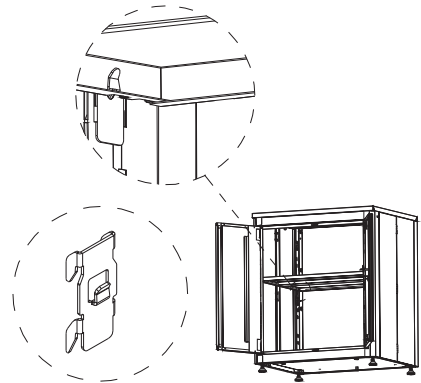
To add a worktop, attach a bracket on either side of the worktop using two M6 x 16 hex socket head screws per bracket. Make sure the lip of each bracket is secured under the lip of the cabinet.

Attach the worktop to the front and back of the cabinet using four M6 x 16 hex socket head screws. Not the correct holes in the cabinet.



Insert four shelf supports inside the cabinet at the desired height.

Place the shelf on the shelf supports.



WARNING: DO NOT STACK A 2-DOOR BASE CABINET ON TOP OF ANOTHER CABINET.

IF YOU HAVE PURCHASED A PEGBOARD BACK WALL AND POST COMBINATION, PLEASE SEE PEGBOARD BACK WALL AND POST ASSEMBLY ON PAGE 35 TO COMPLETE ASSEMBLY.

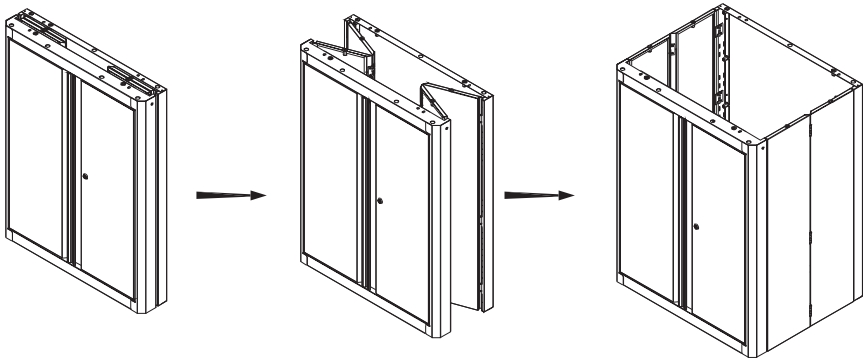
SEE FINISHING INSTALLATION ON PAGE 37 FOR HOW TO INSTALL YOUR ASSEMBLED UNIT IN YOUR GARAGE.

2-DOOR STACKING CABINET ASSEMBLY

BOTTOM CABINET ASSEMBLY

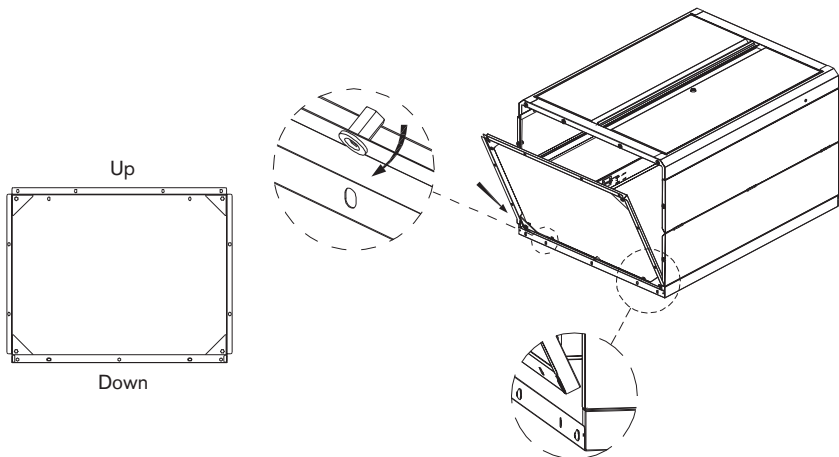
Choose one cabinet to be the bottom cabinet in your stack.

Carefully separate the front and back panels, allowing the side panels to unfold completely.

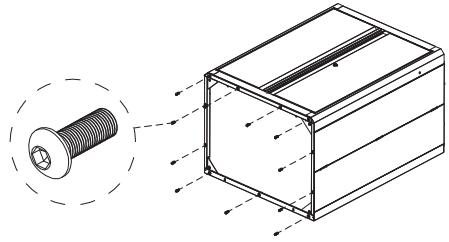


Carefully lay the cabinet on its back, with a soft mat underneath for protection.

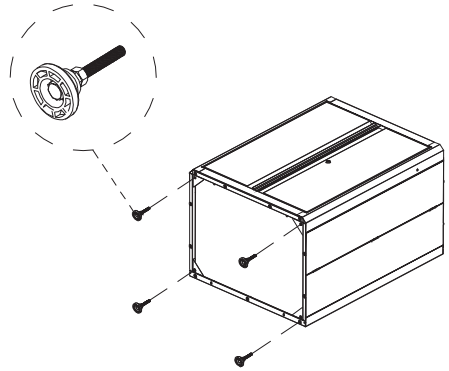
Insert the lip of the bottom panel into the slot in the back of the cabinet. Tilt the bottom panel onto the bottom of the cabinet. Make sure the holes align.



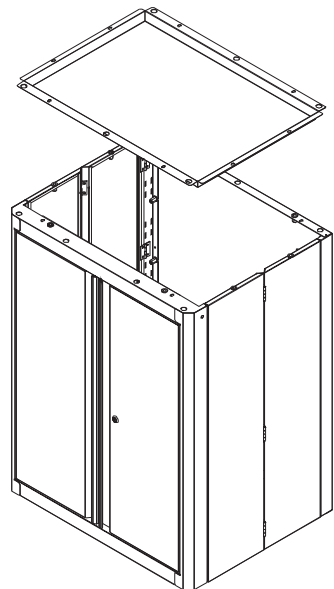
Attach the bottom panel using eleven M6 x 16 hex socket head screws.



Screw the four adjustable feet into the cabinet bottom. Turn the cabinet upright.

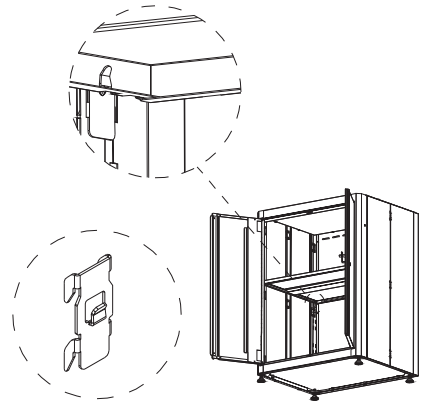


Place the top panel on the cabinet, but do not attach.



Insert four shelf supports inside the cabinet at the desired height.

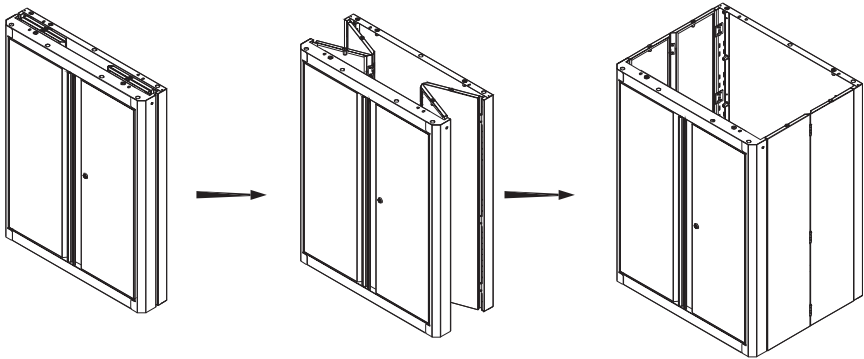
Place the shelf on the shelf supports.



TOP CABINET ASSEMBLY

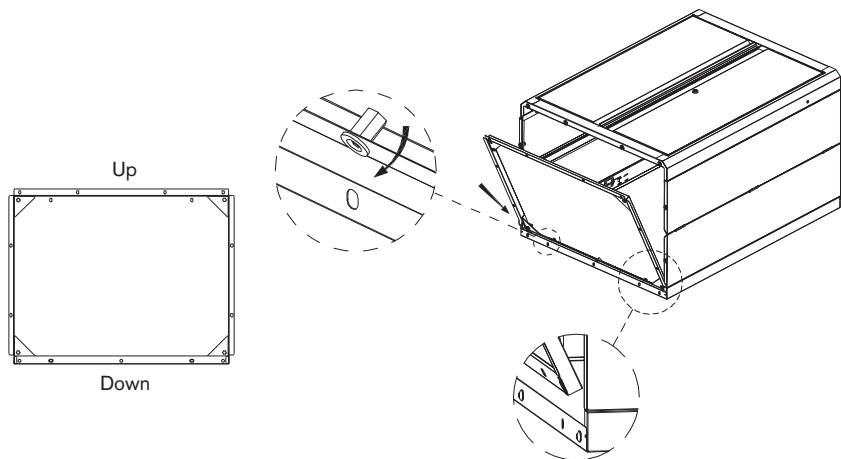
Choose another cabinet to be the top cabinet in your stack.

Carefully separate the front and back panels, allowing the side panels to unfold completely.

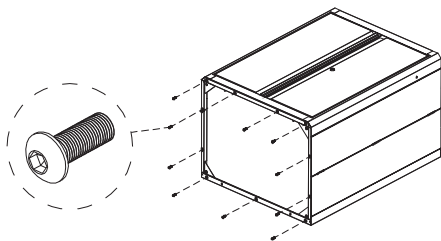


Carefully lay the cabinet on its back, with a soft mat underneath for protection.

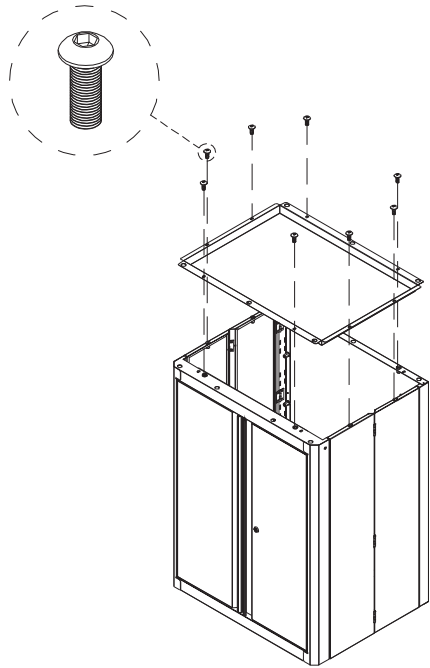
Insert the lip of the bottom panel into the slot in the back of the cabinet. Tilt the bottom panel onto the bottom of the cabinet. Make sure the holes align.



Attach the bottom panel using eleven M6 x 16 hex socket head screws. Turn the cabinet upright.

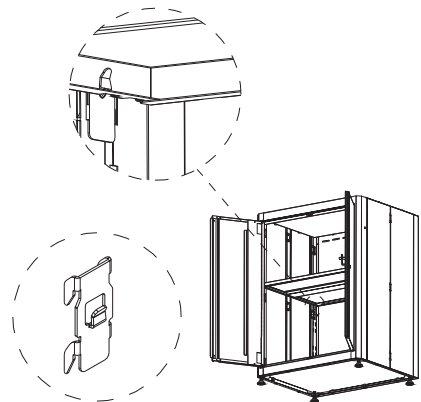


Attach the top panel to the cabinet using eight M6 x 16 hex socket head screws.



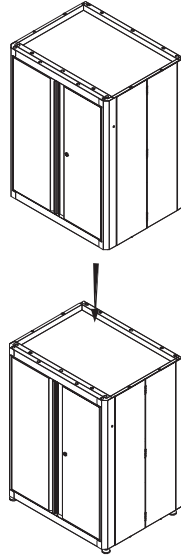
Insert four shelf supports inside the cabinet at the desired height.

Place the shelf on the shelf supports.

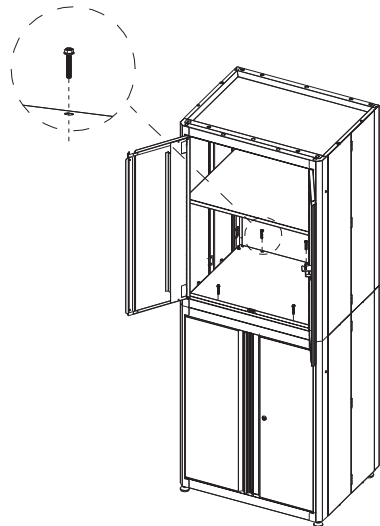


STACKING CABINETS

Stack your top cabinet on top of your bottom cabinet.



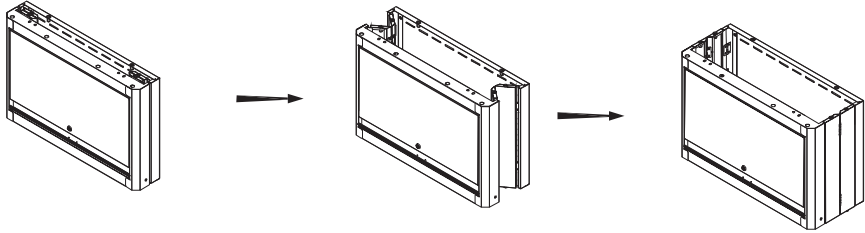
Attach your top cabinet to your bottom cabinet using four M6 x 35 hex flange bolts.



SEE FINISHING INSTALLATION ON PAGE 37 FOR HOW TO INSTALL YOUR ASSEMBLED UNIT IN YOUR GARAGE.

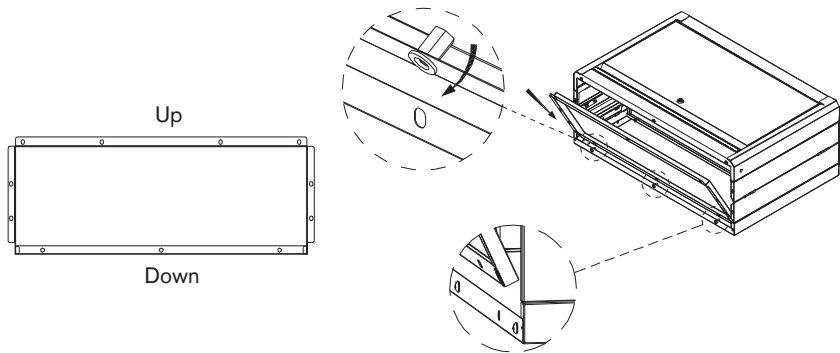
1-DOOR WALL CABINET ASSEMBLY

Carefully separate the front and back panels, allowing the side panels to unfold completely.

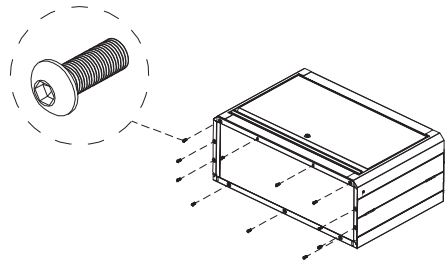


Carefully lay the cabinet on its back, with a soft mat underneath for protection.

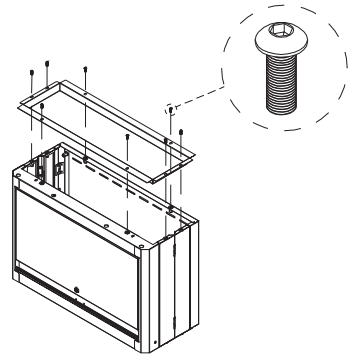
Insert the lip of the bottom panel into the slot in the back of the cabinet. Tilt the bottom panel onto the bottom of the cabinet. Make sure the holes align.



Attach the bottom panel using eleven M6 x 16 hex socket head screws. Turn the cabinet upright.

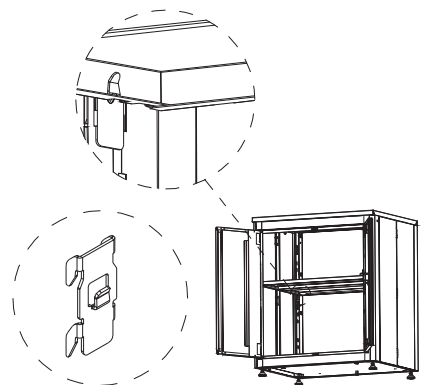


Attach the top panel using eight M6 x 16 hex socket head screws.



Insert four shelf supports inside the cabinet at the desired height.

Place the shelf on the shelf supports.

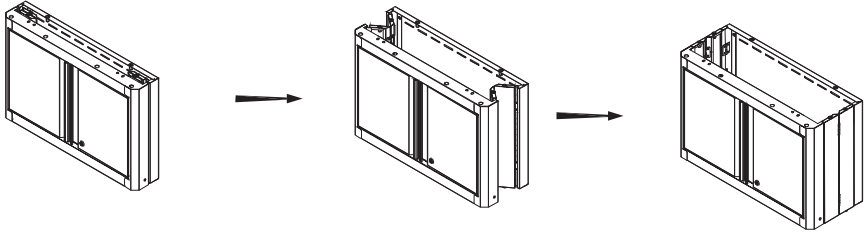


IF YOU HAVE PURCHASED A PEGBOARD BACK WALL AND POST COMBINATION, PLEASE SEE PEGBOARD BACK WALL AND POST ASSEMBLY ON PAGE 35 TO COMPLETE ASSEMBLY.

SEE FINISHING INSTALLATION ON PAGE 37 FOR HOW TO INSTALL YOUR ASSEMBLED UNIT IN YOUR GARAGE.

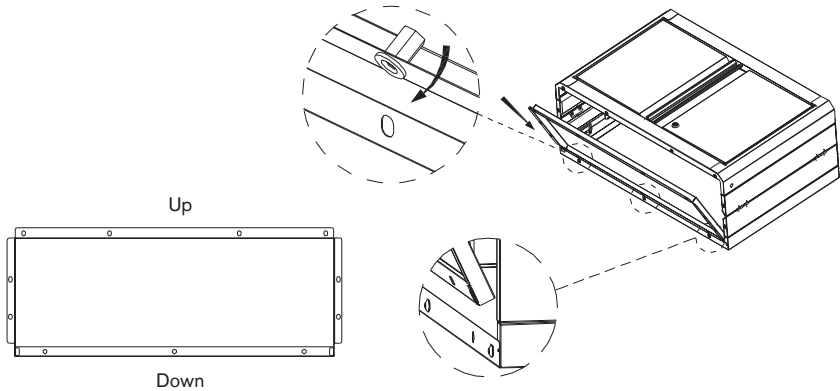
2-DOOR WALL CABINET ASSEMBLY

Carefully separate the front and back panels, allowing the side panels to unfold completely.

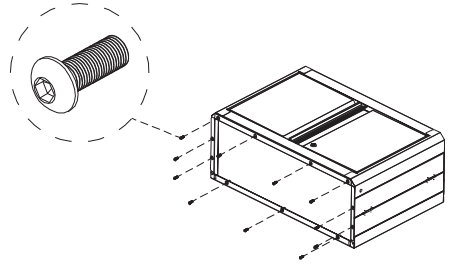


Carefully lay the cabinet on its back, with a soft mat underneath for protection.

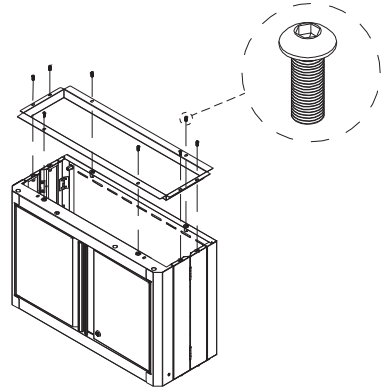
Insert the lip of the bottom panel into the slot in the back of the cabinet. Tilt the bottom panel onto the bottom of the cabinet. Make sure the holes align.



Attach the bottom panel using eleven M6 x 16 hex socket head screws. Turn the cabinet upright.

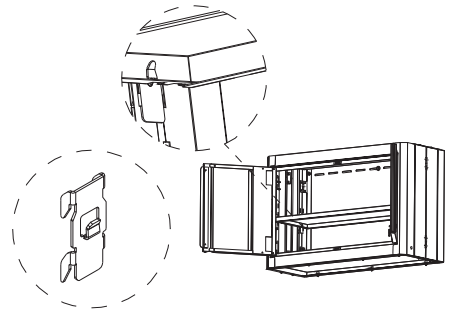


Attach the top panel using eight M6 x 16 hex socket head screws.



Insert four shelf supports inside the cabinet at the desired height.

Place the shelf on the shelf supports.



IF YOU HAVE PURCHASED A PEGBOARD BACK WALL AND POST COMBINATION, PLEASE SEE PEGBOARD BACK WALL AND POST ASSEMBLY ON PAGE 35 TO COMPLETE ASSEMBLY.

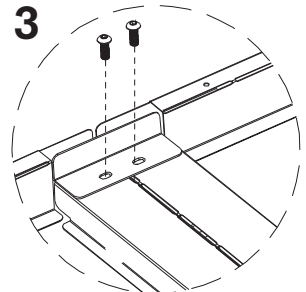
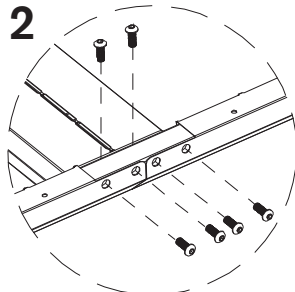
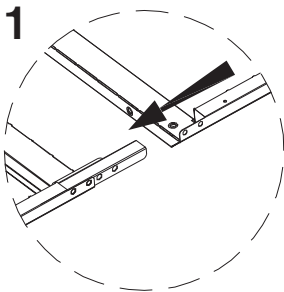
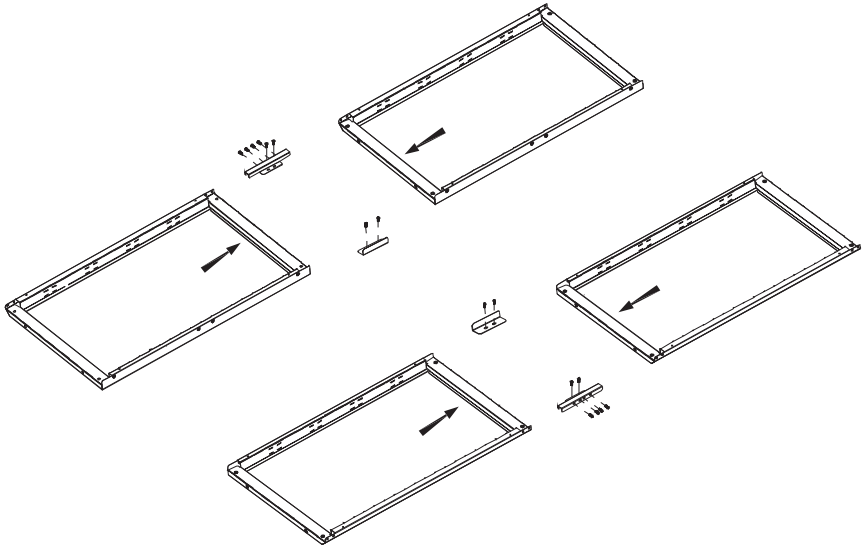
SEE FINISHING INSTALLATION ON PAGE 37 FOR HOW TO INSTALL YOUR ASSEMBLED UNIT IN YOUR GARAGE.

2-DOOR TALL CABINET ASSEMBLY

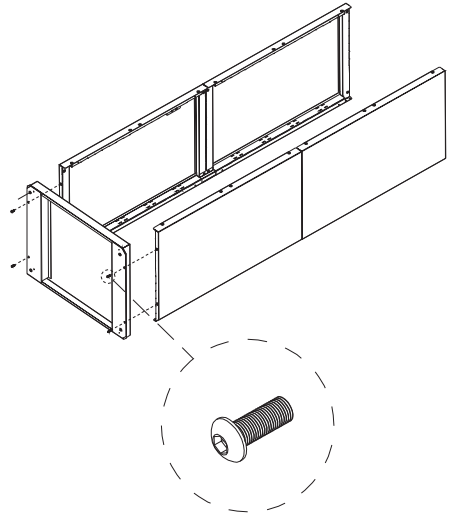
Assemble the side panels.

1. Insert a stiffener to connect two panels together on one side.
2. On the same side as the stiffener, attach the two panels together using six M6 x 16 hex socket head screws.
3. On the other side of the panels, attach a bracket using two M6 x 16 hex socket head screws.

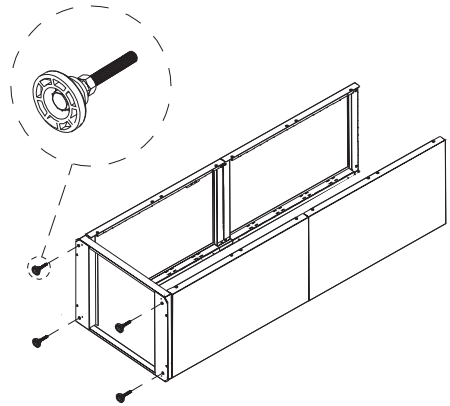
Repeat for the other two side panels.



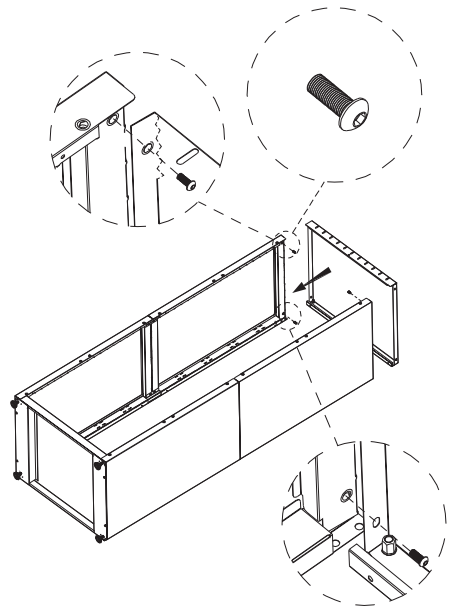
Attach the bottom panel to the side panel using four M6 x 16 hex socket head screws.



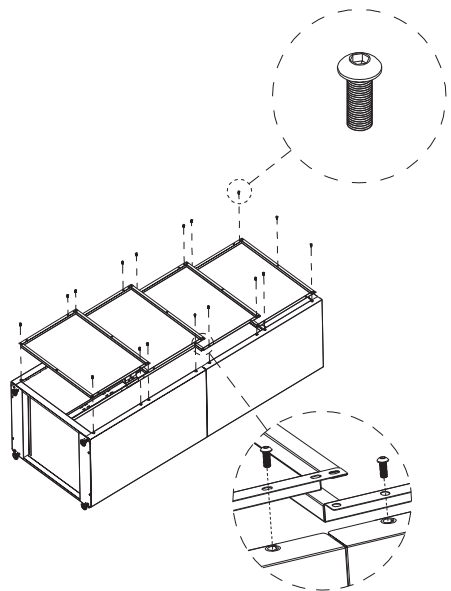
Screw the four adjustable feet into the cabinet bottom.



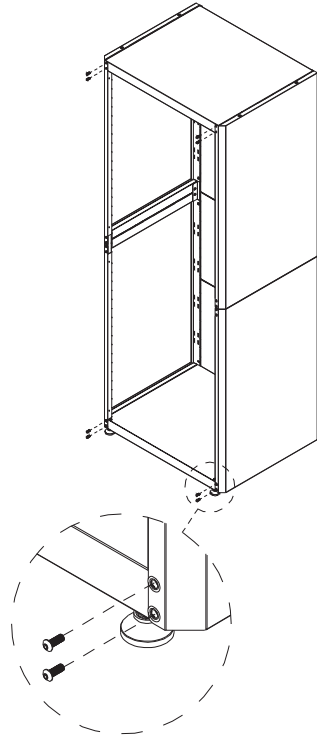
Attach the top panel using four M6 x 16 hex socket head screws.



Place the four back panels on the back of the cabinet, starting at the top and working down. Attach using seventeen M6 x 16 hex socket head screws.



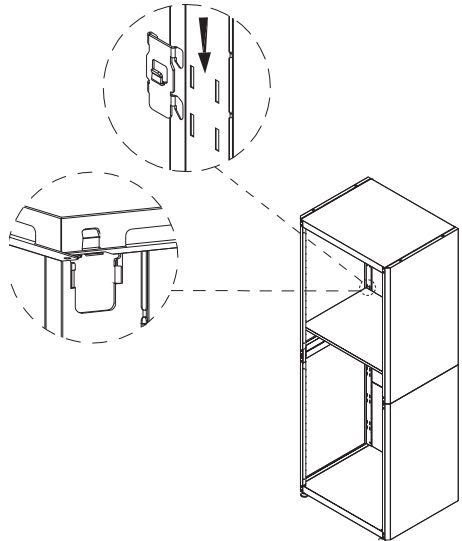
Secure the front corners of the cabinet with eight M6 x 16 hex socket head screws



Insert twelve shelf supports inside the cabinet at the desired heights.

Place the three shelves on the shelf supports.

NOTE: One shelf must be placed on the fourth set of holes, or the unit will not close properly.

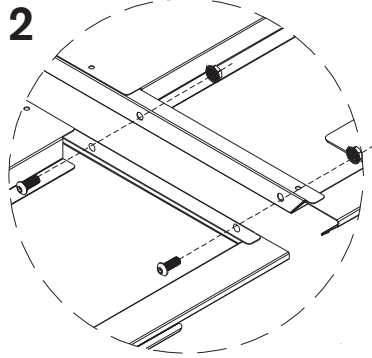
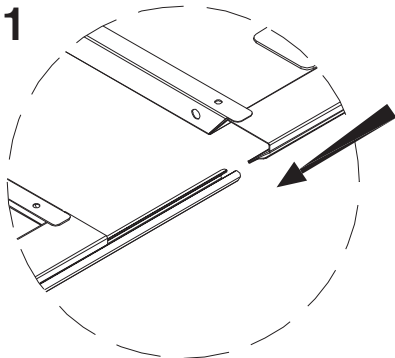
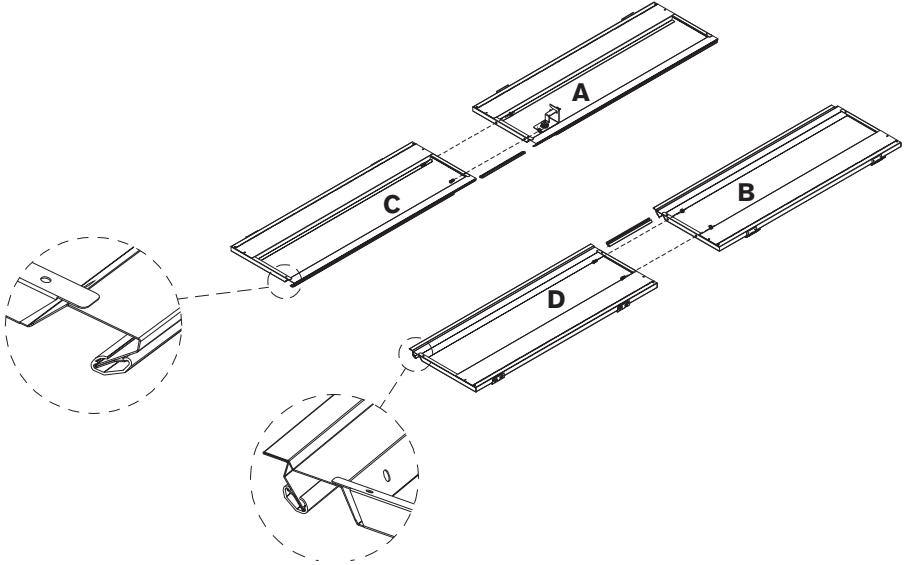


Assemble the doors.

NOTE: Panel B connects to Panel D, which has a doorstop at the bottom. Panel A connects to panel C, which does not have a doorstop at the bottom.

1. Insert a middle door pull to connect two panels together on one side.
2. Attach the two panels together using four M6 x 16 hex socket head screws and M6 hex flange nuts.

Repeat for the other door.

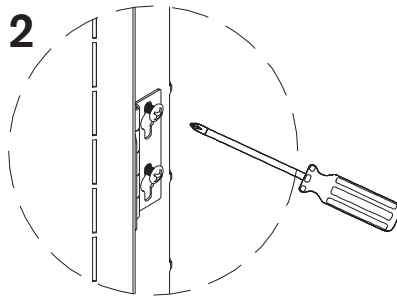
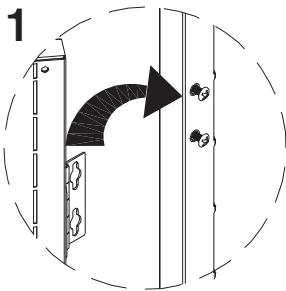
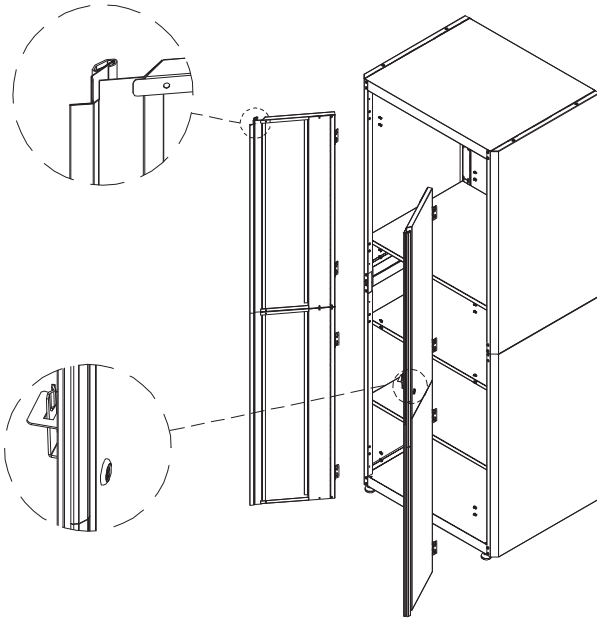


Install the door with the doorstop on the left hand side. Install the door with the lock on the right hand side, with the lock on the top.

1. Partially screw eight M4 x 12 Phillips head bolts into the cabinet. Hang the door on the screws.

2. Tighten the screws.

Repeat for the other door.

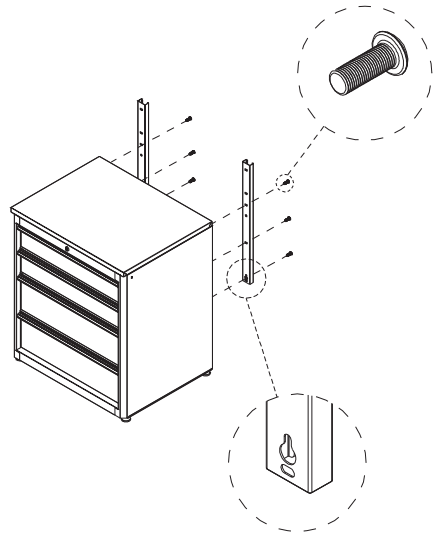


SEE FINISHING INSTALLATION ON PAGE 37 FOR HOW TO INSTALL YOUR ASSEMBLED UNIT IN YOUR GARAGE.

PEGBOARD BACK WALL AND POST ASSEMBLY

You can use a pegboard back wall and post combination to attach one base cabinet and one wall cabinet.

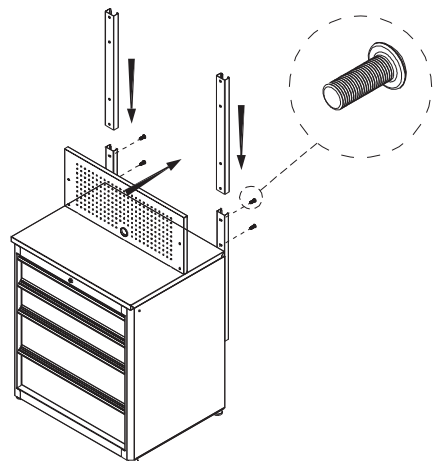
Attach two A posts to the back of the base cabinet using three M6 x 16 hex socket head screws per post.



Slide two B posts fully onto the A posts.

Place one pegboard on the front, making sure the grommet hole is on the bottom.

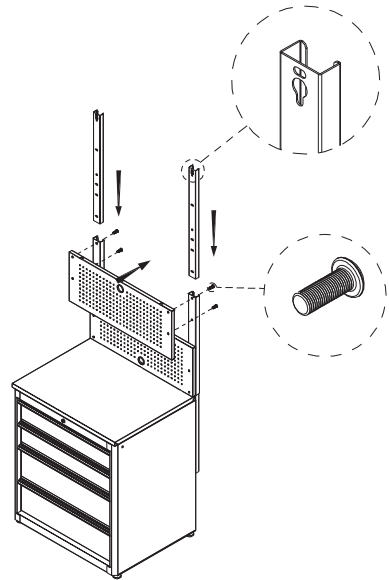
Attach using two M6 x 16 hex socket head screws per post.



Slide two A posts onto the B posts. Make sure to leave enough room at the top for the wall cabinet.

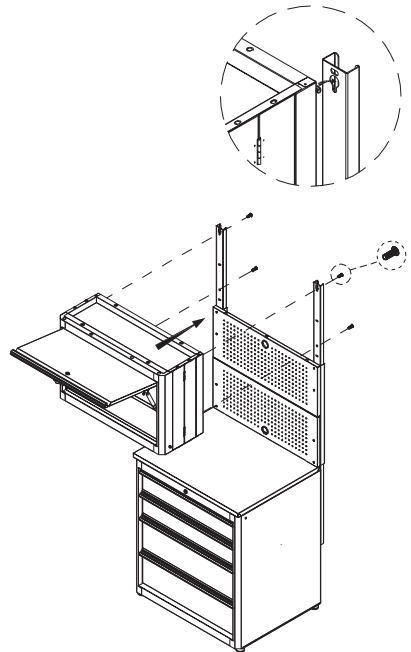
Place one pegboard on the front, making sure the grommet hole is on the top.

Attach using two M6 x 16 hex socket head screws per post.



Insert two M6 x 16 hex socket head screws into the top holes of the wall cabinet, but do not fully tighten. Hang the wall cabinet on the top of the posts, then fully tighten the screws.

Attach the bottom of the wall cabinet to the posts using two additional M6 x 16 hex socket head screws.

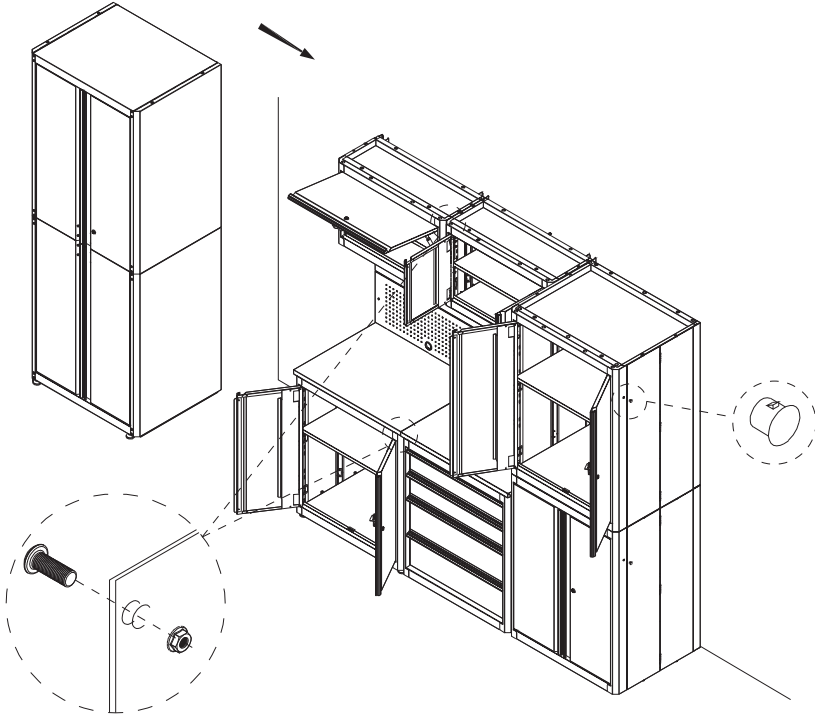


SEE FINISHING INSTALLATION ON PAGE 37 FOR HOW TO INSTALL YOUR ASSEMBLED UNIT IN YOUR GARAGE.

FINISHING INSTALLATION

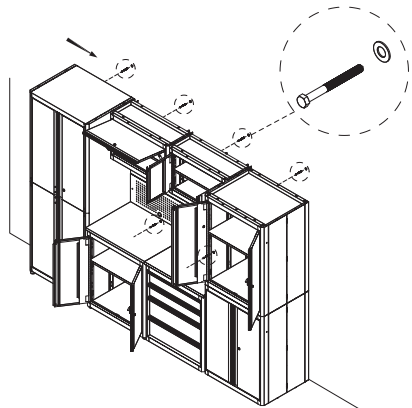
For a better appearance, attach units together using a M6 hex flange nut and washer. Holes are located at the top front side of each unit.

Hide holes on the exterior ends of the units with the supplied end covers.



For safety, secure the tops of the each unit to the wall using three M6 x 65 hex tapping screws and washers. For best results, mount to studs or other solid surfaces. Do not mount to drywall as it will not support the required weight and poses a danger if mounted incorrectly.

There are three holes located in the tops of all units, including the base cabinets.



MAINTENANCE

Periodically clean the door and drawer fronts, trim, and other surfaces with mild detergent and water.

Lubricate the slides (twice a year) with a product like WD40 or other quality lubricant. This is especially important in low temperatures, which can cause the bearing to become stiff.

Grease and oil can be removed with most standard cleaning fluids. For safety, use a nonflammable cleaning fluid.

SAFETY

Use two people to move the units into place. Failure to do so can result in back or other injuries.

DO NOT leave children unattended near the garage storage system.

DO NOT stand on this product or lean on the drawers or work surfaces.

WEAR SAFETY GLASSES when removing or repositioning the slides. The tool could slip, which may cause personal injury.

DO NOT alter this product in any manner. For example, do not weld external lock bars or attach electrical equipment. This may cause product damage or personal injury.

Close and lock the doors and drawers before moving this product. The drawers could come open and make the product unstable and tip, which may cause personal injury or product damage.

BE CAREFUL when opening more than one drawer. The product could become unstable and tip, which may cause personal injury or product damage.

Keep the product on level surfaces. The product could become unstable and tip if stored or moved on an uneven surface, which may cause personal injury or product damage.



This product is warranted to be free from defects in materials and workmanship for a period of five (5) years from the date of original purchase.

If this product is defective, email service@qualitycraft.com or call 1-800-459-4409 (Monday–Friday, 8:00 am–4:30 pm, CST). If the product is defective, we will replace the defective part at no cost to you.

Please do not ship your product back to the store or to us unless we send you written instructions for return.

In the event it becomes necessary for your product to be returned, we will notify you how to proceed.

A copy of your original purchase receipt must accompany the returned product.

Montezuma®

LIFE ORGANIZED



Manufactured by:

QUALITY CRAFT

Surrey, BC, Canada V3S 5N4

service@qualitycraft.com

1-800-459-4409

(Monday to Friday, 8:00 am–4:30 pm, CST)

Made in China

www.montezumastorage.com

08/18