

Montezuma[®]
LIFE ORGANIZED



OWNER'S MANUAL
**3-TIER STEEL
MOBILE REVOLVING
TOOL CART**

MRTC2623B

www.montezumastorage.com

LIFE ORGANIZED

Montezuma is committed to helping you succeed in both your work and personal life by being organized, prepared and equipped with the right tools, gear and home supplies at your finger tips.

Keep your life organized with Montezuma.

Thank you for your purchase of this Montezuma Revolving Tool Cart.

ATTENTION

TO REDUCE THE RISK OF INJURY, THE USER MUST READ AND UNDERSTAND THIS INSTRUCTION MANUAL BEFORE USING THIS PRODUCT FOR THE FIRST TIME. SAVE THESE INSTRUCTIONS FOR FUTURE REFERENCE.

Fill in the following information and retain this owner's manual for future reference:

MODEL(S):

DATE OF PURCHASE:

PLACE OF PURCHASE:

RECEIPT NO:

SPECIFICATIONS

MAXIMUM PRODUCT WEIGHT (INCLUDING CONTENTS): 660 lb (300 kg)

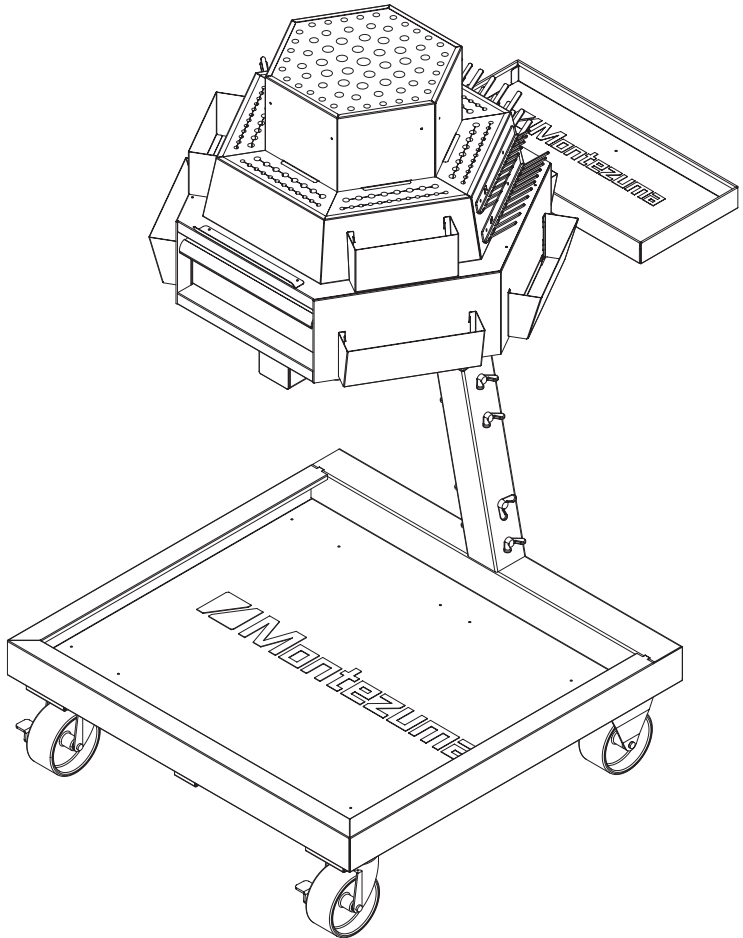
OVERALL DIMENSIONS: 27-5/8" W x 36-1/8" D x 48-1/4" H
(70.1 cm W x 91.8 cm D x 122.4 cm H)

MAXIMUM DRAWER WEIGHT: 100 lb (45.4 kg)

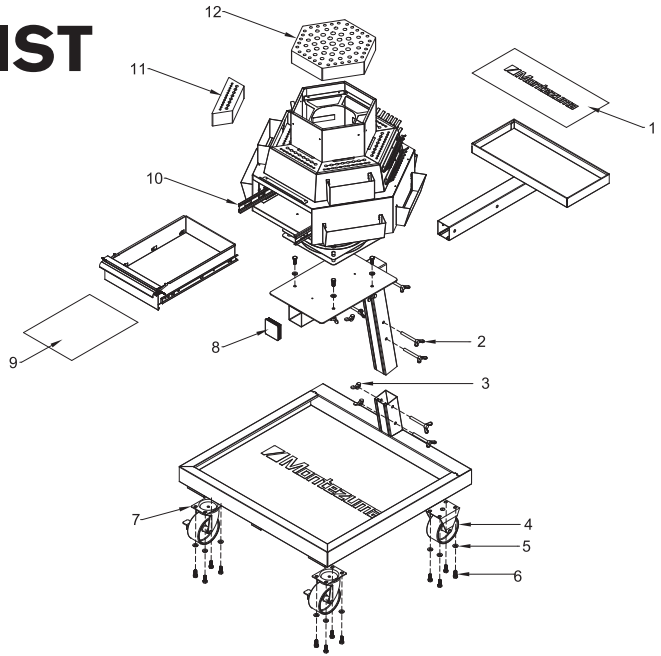
MAXIMUM BOTTOM TRAY WEIGHT: 286 lb (130 kg)

MAXIMUM STAGING TRAY WEIGHT: 44 lb (20 kg)

MAXIMUM REVOLVING SECTION WEIGHT: 220 lb (100 kg)



PARTS LIST



REF	DESCRIPTION	PART NUMBER	QTY
1	Tray Liner	552215	1
2	M8 x 70 mm Wing Bolt	321218	6
3	Wing Nut	323151	10
4	Rigid Caster	302032	2
5	Washer	324008	24
6	M8 x 20 mm Hex Bolt	321024	24
7	Swivel Caster	302031	2
8	End Cap	314073	1
9	Drawer Liner	552216	1
10	Slide Set	300022–300023	1
11	Middle Tier Foam Insert	552212	12
12	Top Tier Foam Insert	552211	1

To order replacement parts, email service@montezumastorage.com or call 1-800-459-4409 (Monday–Friday, 8:00 am–4:30 pm, CST). Have the part number and quantity ready. Not all parts are covered under warranty. Those parts not covered can be purchased.

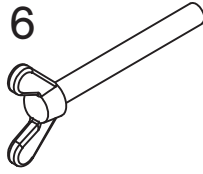
1



Tray Liner

For protecting the top tray

6



M8 x 70 mm Wing Bolt

4 for attaching the support arms
2 for attaching the top tray

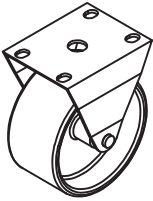
10



Wing Nut

For use with some
M8 x 70 mm Wing Bolts
and M8 x 20 mm Hex Bolts

2



Rigid Caster

For attaching to the bottom
of the cart

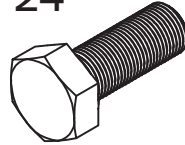
24



Washer

For use with M8 x 20 mm
Hex Bolt

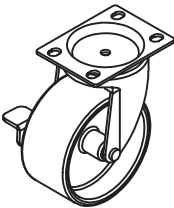
24



M8 x 20 mm Hex Bolt

16 for installing casters
8 for attaching the revolving
tool organizer

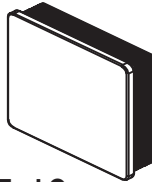
2



Swivel Caster

For attaching to the bottom
of the cart

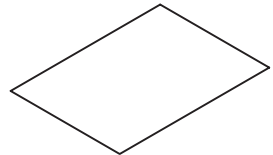
1



End Cap

For attaching at the end
of the support arm

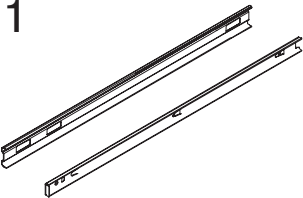
1



Drawer Liner

For protecting the drawer

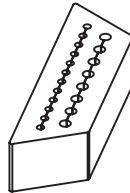
1



Slide Set

For supporting the drawer

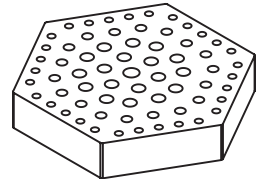
12



Middle Tier Foam Insert

For supporting tools

1



Top Tier Foam Insert

For supporting tools

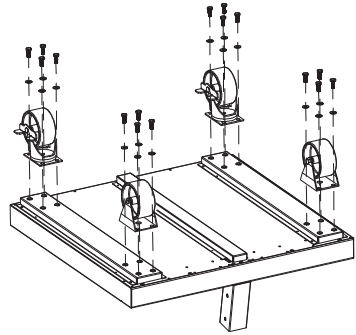
CASTER INSTALLATION

Carefully lay the bottom tray upside down, with a soft mat underneath for protection. Be careful not to damage the post support when you turn over the bottom tray.

Position the two swivel casters on the bottom of the tray, opposite of the post support on the left and right side. Insert four M8 x 20 mm hex bolts through washers, then through each caster fastening hole and into the bottom of the tray. Tighten securely.

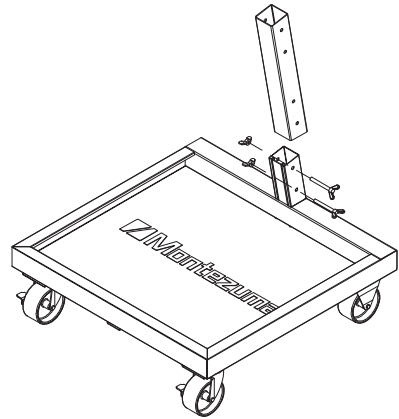
Repeat for the two rigid casters on the end of the bottom tray closest to the support post.

Turn the bottom tray over.



REVOLVING TOOL ORGANIZER INSTALLATION

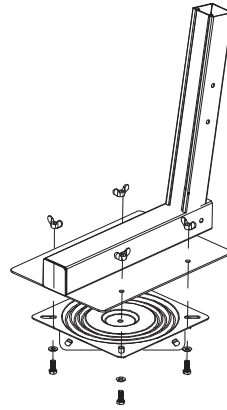
Insert the extension bar into the post support on the bottom tray. Attach using two M8 x 70 mm wing bolts and wing nuts. Tighten securely.



Attach the revolving plate to the support arm using four M8 x 20 mm hex bolts, washers and wing nuts.

NOTE: Use only the top set of holes in the revolving plate.

TIP: Rotate the revolving plate a quarter of a turn so that the top set of holes are easier to access when attaching the support arm.

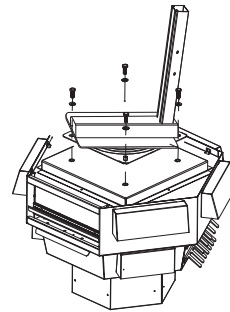


Carefully turn the revolving 3-tier tray upside down. Make sure it is on a flat, stable surface.

Attach the revolving 3-tier tray to the other side of the revolving plate using four M8 x 20 mm hex bolts and washers.

NOTE: Use only the bottom set of holes in the revolving plate.

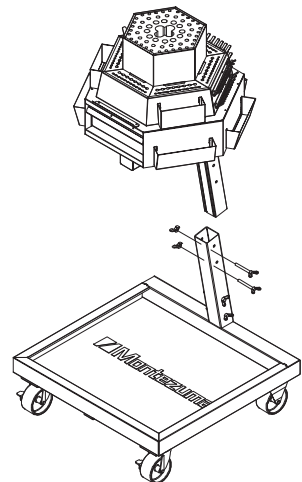
TIP: Again, rotate the revolving plate a quarter of a turn so you have better access to the bottom of the revolving 3-tier tray.



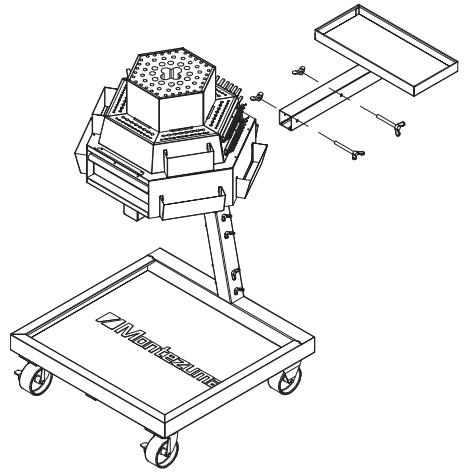
ATTENTION: This next step may require two people to make this transition and then to insert the support arm into the extension bar.

Carefully turn the revolving 3-tier tray with the support arm upright.

Insert the top support arm into the extension bar. Attach using two M8 x 70 mm wing bolts and wing nuts. Tighten securely.



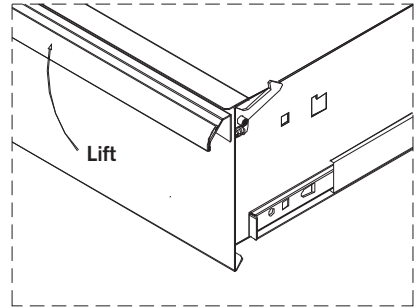
Insert the staging tray. Attach using two M8 x 70 mm wing bolts and wing nuts. Tighten securely.



RAISE AND RELEASE DRAWER FRONTS

This unit is equipped with a raise and release drawer front. To open, lift up on the drawer front while pulling towards you. To close, shut the drawer firmly until the latch engages.

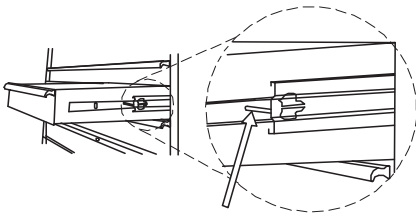
If the drawer does not stay closed, the hook may be bent, or it may be rubbing against the drawer slides. To fix this problem, lightly bend the hook until the drawer will engage in the slide.



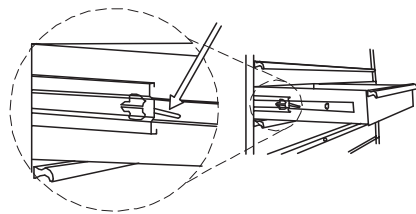
DRAWER REMOVAL

Pull the drawer out so that it's almost fully extended. Push up on the black release lever on one side, while pushing down on the black release lever on the other side. While holding the levers in these positions, pull the drawer outward until it is released from the drawer slide.

ONE SIDE – PUSH UP



OTHER SIDE – PUSH DOWN



DRAWER REPLACEMENT

Extend the drawer slides from the unit. Insert the brackets on each side of the drawer into the slots in the slides, being careful that they are properly positioned. Once properly inserted, completely close the drawer to set the slides in position.

MAINTENANCE

Periodically clean the drawer front, trim, and other surfaces with mild detergent and water.

Lubricate the casters with high quality bearing grease (annually/yearly).

Lubricate the slides (twice a year) with a product like WD40 or other quality lubricant. This is especially important in low temperatures, which can cause the bearing to become stiff.

Grease and oil can be removed with most standard cleaning fluids. For safety, use a nonflammable cleaning fluid.

SAFETY

DO NOT stand or lean on this product.

WEAR SAFETY GLASSES when removing or repositioning the slides. The tool could slip, which may cause personal injury.

When moving this product, do not pull it. Push the product to prevent personal injury.

USE THE BRAKES when not moving this product. This will prevent the product from rolling, which may cause personal injury or product damage.

DO NOT mount this product on a truck bed or any other moving object. This may cause personal injury or product damage, and will void the warranty.

DO NOT tow with power equipment. The product could tip, which may cause personal injury or product damage.

Keep the product on level surfaces. The product could become unstable and tip if stored or moved on an uneven surface, which may cause personal injury or product damage.



This product is warranted to be free from defects in materials and workmanship for a period of one (5) years from the date of original purchase.*

If this product is defective, email service@montezumastorage.com or call 1-800-459-4409 (Monday–Friday, 8:00 am–4:30 pm, CST). If the product is defective, we will replace the defective part at no cost to you.

Please do not ship your product back to the store or to us unless we send you written instructions for return.

In the event it becomes necessary for your product to be returned, we will notify you how to proceed.

A copy of your original purchase receipt must accompany the returned product.

* Warranty does not include wear and tear, including damage to the foam inserts.



WARNING

Cancer and Reproductive Harm – www.P65Warnings.ca.gov

Montezuma[®]
LIFE ORGANIZED



Manufactured by:

QUALITY CRAFT

Romeoville, IL 60446

service@montezumastorage.com

1-800-459-4409

(Monday to Friday, 8:00 am–4:30 pm, CST)

Made in China

www.montezumastorage.com

MRTC2623B_05/20