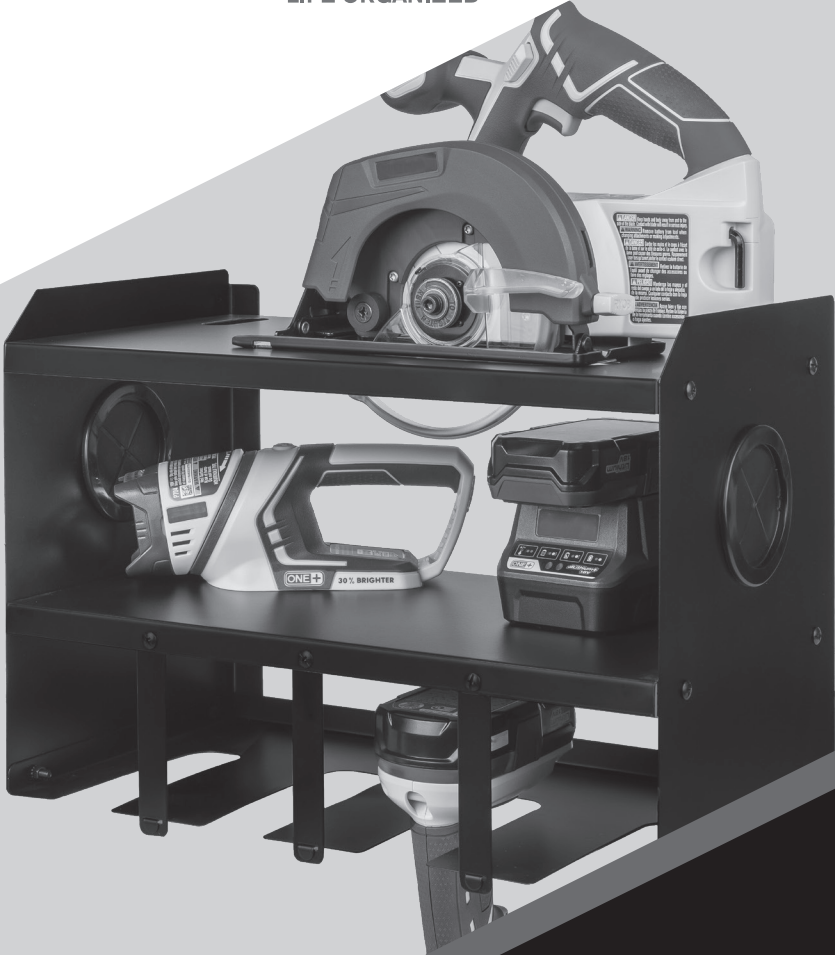


**Montezuma**<sup>®</sup>  
LIFE ORGANIZED



OWNER'S MANUAL  
**4-BAY**  
**POWER TOOL**  
**ORGANIZER**

MPSO-4B

[www.montezumastorage.com](http://www.montezumastorage.com)

# LIFE ORGANIZED

Montezuma is committed to helping you succeed in both your work and personal life by being organized, prepared and equipped with the right tools, gear and home supplies at your finger tips.

Keep your life organized with Montezuma.

Thank you for your purchase of this Montezuma Power Tool Organizer.

## ATTENTION

**TO REDUCE THE RISK OF INJURY, THE USER MUST READ AND UNDERSTAND THIS INSTRUCTION MANUAL BEFORE USING THIS PRODUCT FOR THE FIRST TIME. SAVE THESE INSTRUCTIONS FOR FUTURE REFERENCE.**

Fill in the following information and retain this owner's manual for future reference:

MODEL(S):

---

DATE OF PURCHASE:

---

PLACE OF PURCHASE:

---

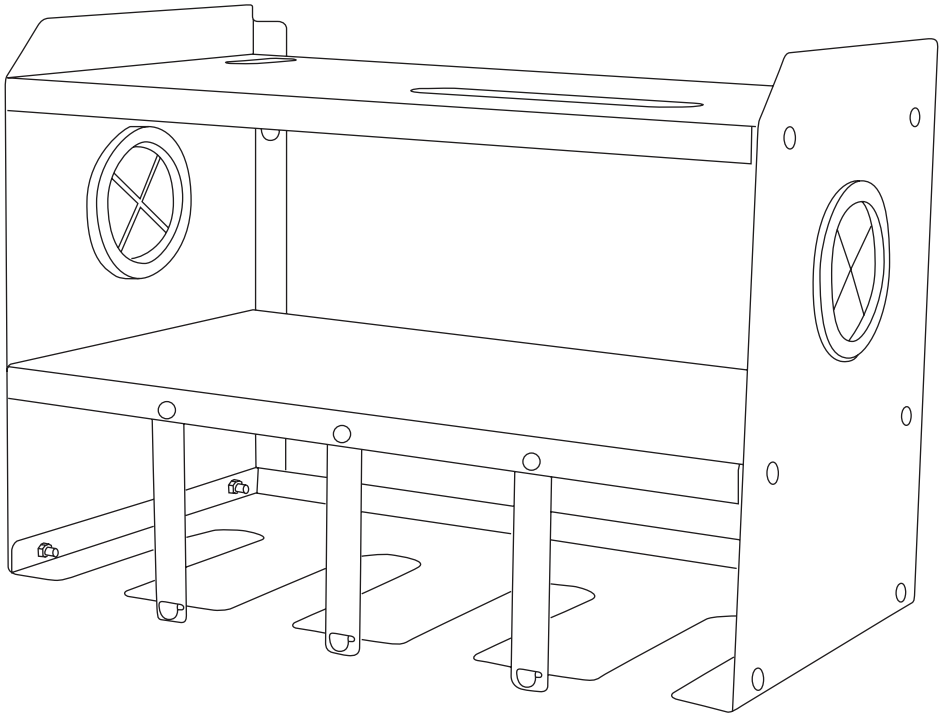
RECEIPT NO:

---

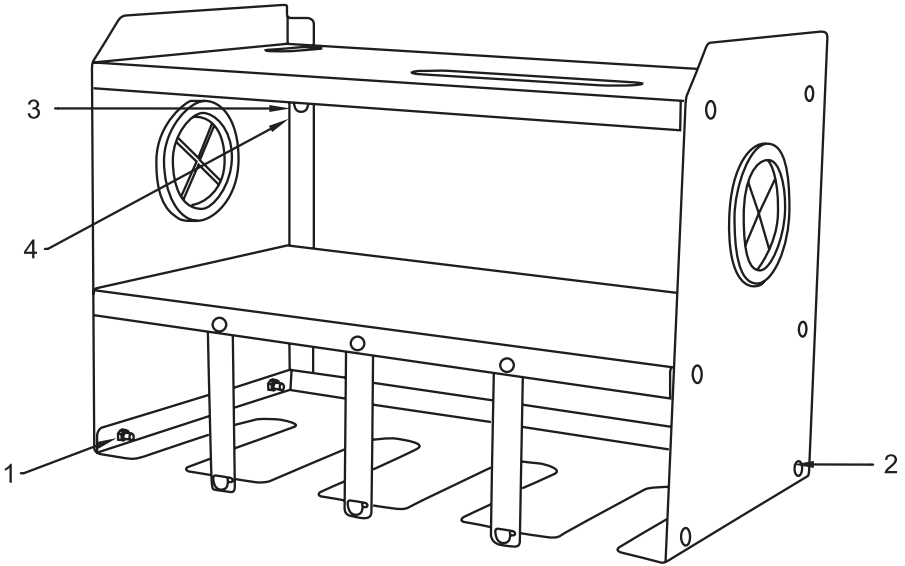
# SPECIFICATIONS

MAXIMUM WEIGHT FOR POWER TOOL BAYS: 5 lb (2.3 kg)

MAXIMUM WEIGHT FOR TOP AND MIDDLE SHELVES: 20 lb (9.1 kg)



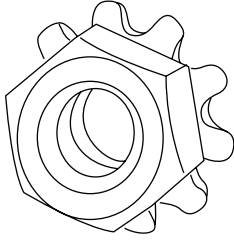
# PARTS LIST



REF	DESCRIPTION	PART NUMBER	QTY
1	Nut	122260	15
2	Bolt	122261	15
3	Self Tapping Screw	122262	4
4	Plastic Drywall Anchor	122263	4

To order replacement parts, email [service@montezumastorage.com](mailto:service@montezumastorage.com) or call 1-800-459-4409 (Monday–Friday, 8:00 am–4:30 pm, CST). Have the part number and quantity ready. Not all parts are covered under warranty. Those parts not covered can be purchased.

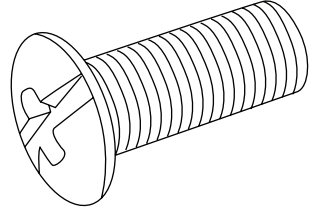
15



**Nut**

For use with bolts

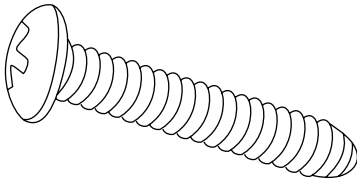
15



**Bolt**

For assembling the power tool organizer

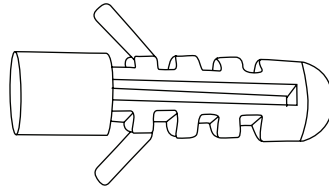
4



**Self Tapping Screw**

For attaching the power tool organizer to a wall or a pegboard

4



**Plastic Drywall Anchor**

For use with the self tapping screws

# TOOLS REQUIRED

Phillips head screwdriver

Socket wrench

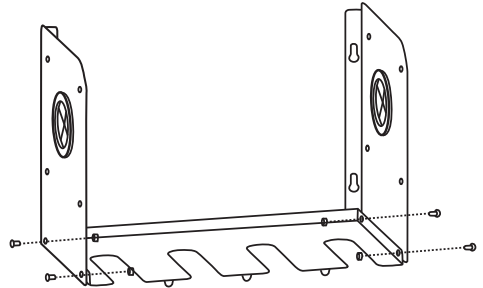
Power drill

Level

# ASSEMBLY

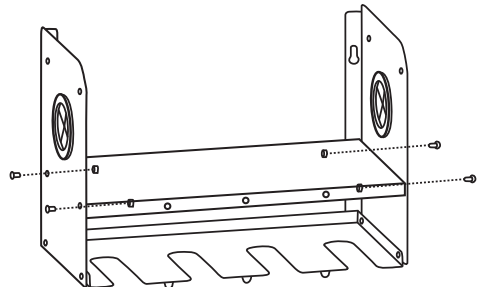
Attach the two side panels to the bottom panel using two bolts and nuts per side.

Note: the tabs on the front of the power tool slots should face down.



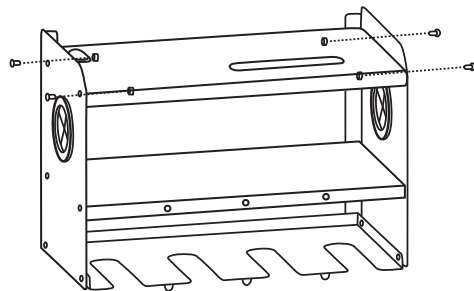
Attach the two side panels to the middle shelf using two bolts and nuts per side.

Note: the holes in the edge of the shelf should face forward.

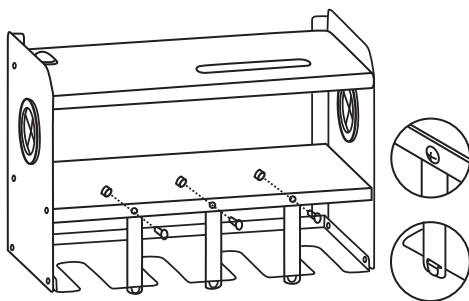


Attach the two side panels to the top shelf using two bolts and nuts per side.

Note: the flange on the top shelf should face downward.



Position the support bar so the slot passes through the tab on the bottom shelf with the power tool slots. Secure the bar by lining up the hole at the top of the support bar with the corresponding hole on the middle shelf. The support bar should be positioned behind the front edge of the middle shelf. Secure using a bolt and nut.



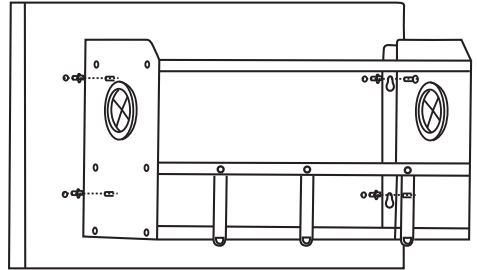
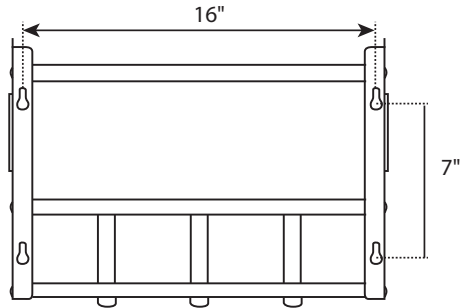
# INSTALLATION

This organizer is built for 16" on center wall studs. Locate the wall studs and mark the locations of the four holes shown in the illustration. Use a level to make sure the organizer is straight.

Pre-drill pilot holes into the wall studs. Secure the self-tapping screws into the marked locations, leaving enough room to position the organizer in place using the keyhole slots.

Then tighten down the screws to secure the organizer in place.

Note: To secure into dry wall, use the plastic drywall anchors. For safety and security, the organizer should be mounted into at least one stud wall.







This product is warranted to be free from defects in materials and workmanship for a period of one (1) year from the date of original purchase.

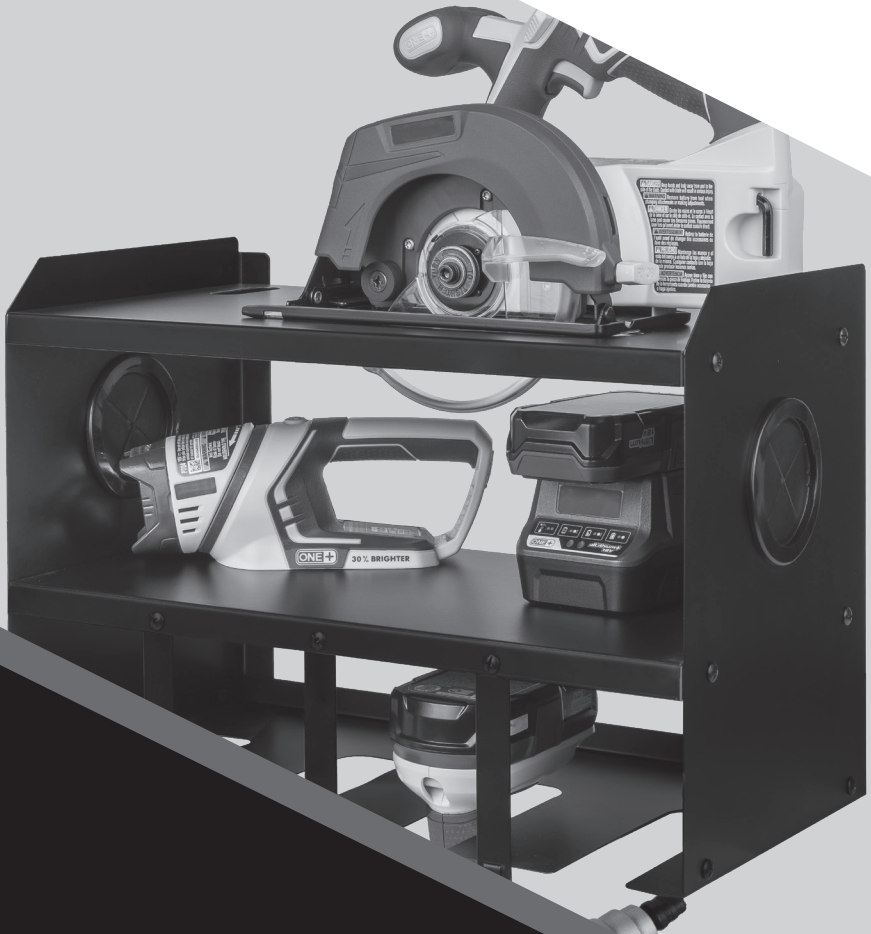
If this product is defective, email [service@montezumastorage.com](mailto:service@montezumastorage.com) or call 1-800-459-4409 (Monday–Friday, 8:00 am–4:30 pm, CST). If the product is defective, we will replace the defective part at no cost to you.

Please do not ship your product back to the store or to us unless we send you written instructions for return.

In the event it becomes necessary for your product to be returned, we will notify you how to proceed.

A copy of your original purchase receipt must accompany the returned product.

**Montezuma**<sup>®</sup>  
LIFE ORGANIZED



Manufactured by:

**QUALITY CRAFT**

Romeoville, IL 60446

service@montezumastorage.com

1-800-459-4409

(Monday to Friday, 8:00 am–4:30 pm, CST)

Made in China

[www.montezumastorage.com](http://www.montezumastorage.com)

MPSO4B\_01/21