

OWNER'S MANUAL
**2-BAY
POWER TOOL
ORGANIZER**

MPSO-2B

www.montezumastorage.com

LIFE ORGANIZED

Montezuma is committed to helping you succeed in both your work and personal life by being organized, prepared and equipped with the right tools, gear and home supplies at your finger tips.

Keep your life organized with Montezuma.

Thank you for your purchase of this Montezuma Power Tool Organizer.

ATTENTION

TO REDUCE THE RISK OF INJURY, THE USER MUST READ AND UNDERSTAND THIS INSTRUCTION MANUAL BEFORE USING THIS PRODUCT FOR THE FIRST TIME. SAVE THESE INSTRUCTIONS FOR FUTURE REFERENCE.

Fill in the following information and retain this owner's manual for future reference:

MODEL(S):

DATE OF PURCHASE:

PLACE OF PURCHASE:

RECEIPT NO:

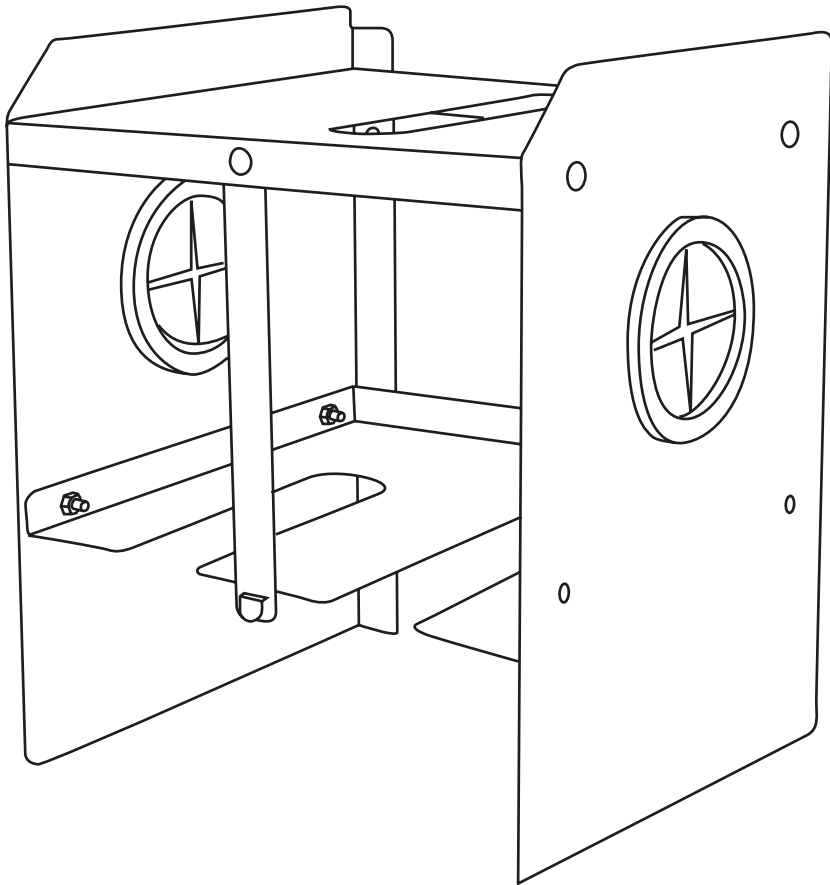
SPECIFICATIONS

MAXIMUM WEIGHT FOR POWER TOOL BAYS: 5 lb (2.3 kg)

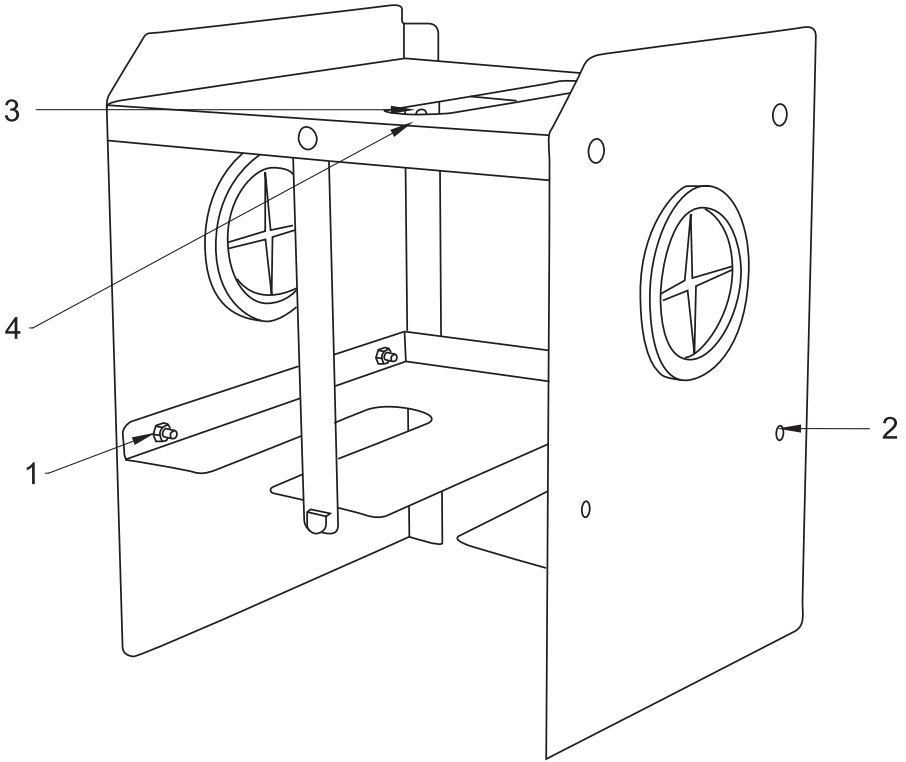
MAXIMUM WEIGHT FOR TOP SHELF: 15 lb (6.8 kg)

OVERALL DIMENSIONS:

9" W x 9-5/8" D x 11-3/4" H (23 cm W x 24.6 cm D x 30 cm H)



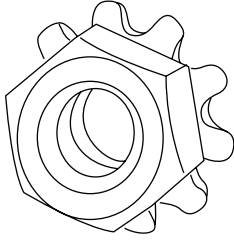
PARTS LIST



REF	DESCRIPTION	PART NUMBER	QTY
1	Nut	122260	9
2	Bolt	122261	9
3	Self Tapping Screw	122262	4
4	Plastic Drywall Anchor	122263	4

To order replacement parts, email service@montezumastorage.com or call 1-800-459-4409 (Monday–Friday, 8:00 am–4:30 pm, CST). Have the part number and quantity ready. Not all parts are covered under warranty. Those parts not covered can be purchased.

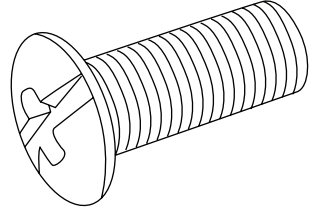
9



Nut

For use with bolts

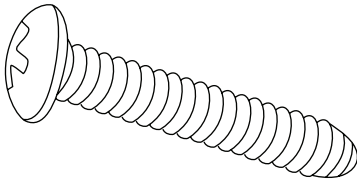
9



Bolt

For assembling the power tool organizer

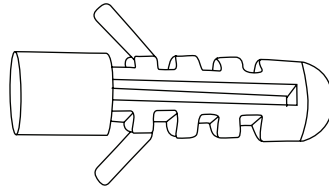
4



Self Tapping Screw

For attaching the power tool organizer to a wall or a pegboard

4



Plastic Drywall Anchor

For use with the self tapping screws

TOOLS REQUIRED

Phillips head screwdriver

Socket wrench

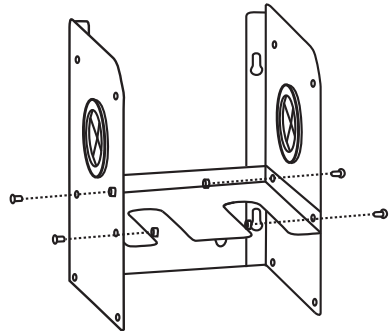
Power drill

Level

ASSEMBLY

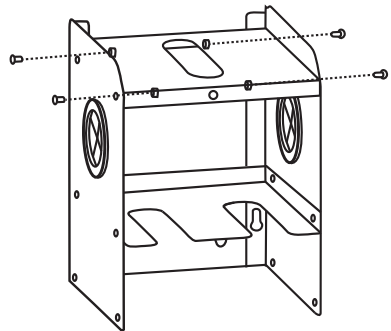
Attach the two side panels to the bottom shelf using two bolts and nuts per side.

Note: the tab on the front of the power tool slots should face down.

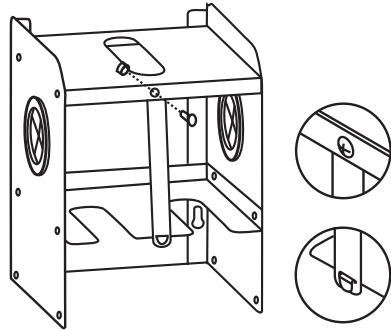


Attach the two side panels to the top shelf using two bolts and nuts per side.

Note: the flange on the top shelf should face downward with the center hole on the side of the flange facing forward.



Position the support bar so the slot passes through the tab on the bottom shelf with the power tool slots. Secure the bar by lining up the hole at the top of the support bar with the corresponding hole on the top shelf. The support bar should be positioned behind the front edge of the top shelf. Secure using a bolt and nut.



INSTALLATION

This unit can be installed onto a Montezuma garage storage pegboard or on a wall.

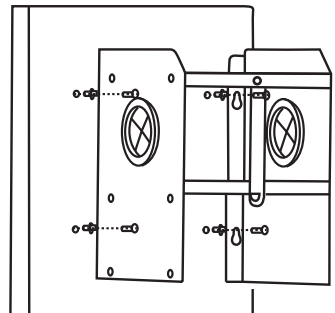
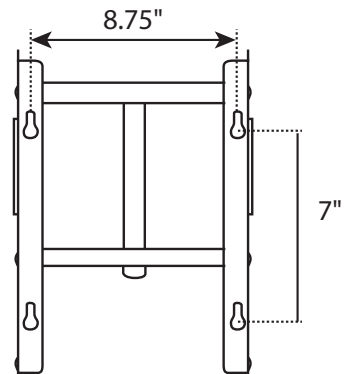
To install on a Montezuma pegboard, line up the holes of the organizer with the pegboard holes, and secure using nuts and bolts. You will need access to the back of the pegboard panel – installation may be easier with two people.

If you are installing the organizer on a wall, you will need to secure one side into a wall stud and use the plastic anchors in the drywall/sheet rock.

Hold organizer in place with a level and make sure it is straight, then mark holes in the drywall for the plastic anchors. Pre-drill pilot holes.

Secure the self-tapping screws and plastic drywall anchors into the marked locations, leaving enough room to position the organizer in place using the keyhole slots. Then tighten down the screws to secure the organizer in place.

Note: For safety and security, the organizer should be mounted into at least one stud wall.





This product is warranted to be free from defects in materials and workmanship for a period of one (1) year from the date of original purchase.

If this product is defective, email service@montezumastorage.com or call 1-800-459-4409 (Monday–Friday, 8:00 am–4:30 pm, CST). If the product is defective, we will replace the defective part at no cost to you.

Please do not ship your product back to the store or to us unless we send you written instructions for return.

In the event it becomes necessary for your product to be returned, we will notify you how to proceed.

A copy of your original purchase receipt must accompany the returned product.



Manufactured by:

QUALITY CRAFT

Romeoville, IL 60446

service@montezumastorage.com

1-800-459-4409

(Monday to Friday, 8:00 am–4:30 pm, CST)

Made in China