

OWNER'S MANUAL  
**2-DOOR  
TALL CABINET**

FG30TCL

# LIFE ORGANIZED

Montezuma is committed to helping you succeed in both your work and personal life by being organized, prepared and equipped with the right tools, gear and home supplies at your finger tips.

We are here to ensure that your life is organized.

Thank you for your purchase of this Montezuma 2-Door Tall Cabinet.

## ATTENTION

**TO REDUCE THE RISK OF INJURY, THE USER MUST READ AND UNDERSTAND THIS INSTRUCTION MANUAL BEFORE USING THIS PRODUCT FOR THE FIRST TIME. SAVE THESE INSTRUCTIONS FOR FUTURE REFERENCE.**

Fill in the following information and retain this owner's manual for future reference:

MODEL(S):

---

DATE OF PURCHASE:

---

PLACE OF PURCHASE:

---

RECEIPT NO:

---

# SPECIFICATIONS

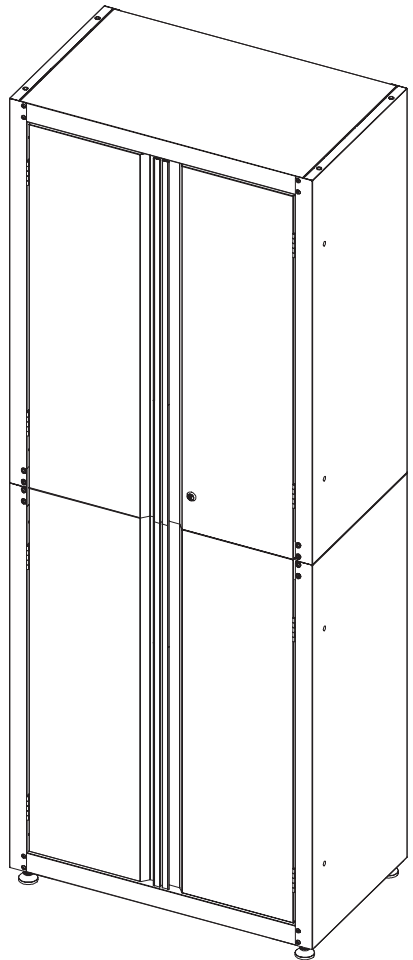
## 2-DOOR TALL CABINET

### OVERALL DIMENSIONS:

77.6 cm W x 46 cm D x 206.6 cm H  
(30-1/2" W x 18-1/8" D x 81-3/8" H)

MAXIMUM SHELF WEIGHT: 100 lb (45 kg)

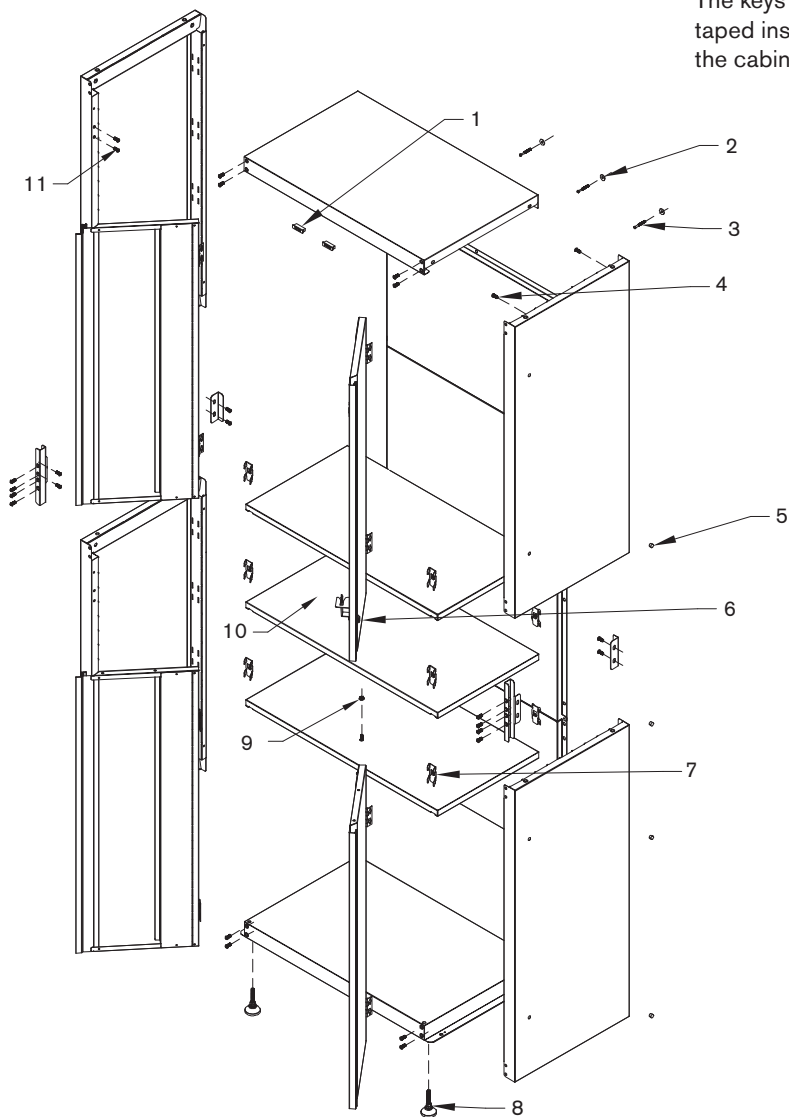
*\* Dimensions do not include adjustable feet.*



# PARTS LIST



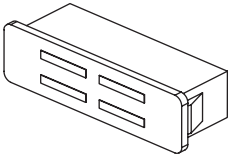
The keys are taped inside the cabinet.



<b>REF</b>	<b>DESCRIPTION</b>	<b>PART NUMBER</b>	<b>QTY</b>
1	Magnet	312033	2
2	Washer	324050	3
3	M6 x 65 mm Hex Tapping Screw	320316	3
4	M6 x 16 mm Hex Socket Head Screw	320327	52
5	End Cover	314195	8
6	Lock and Key (001)	304178	1
7	Shelf Support	226078	12
8	Adjustable Feet	110068	4
9	M6 Hex Flange Nut	323085	5
10	Shelf	121418	3
11	M4 x 12 mm Phillips Head Bolt	320202	16

To order replacement parts, email [service@montezumastorage.com](mailto:service@montezumastorage.com) or call 1-800-459-4409 (Monday–Friday, 8:00 am–4:30 pm, CST). Have the part number and quantity ready. Replacement keys may be ordered using the code that appears on the face of the lock. Not all parts are covered under warranty. Those parts not covered can be purchased.

2



**Magnet**

Pre-installed  
For keeping doors closed

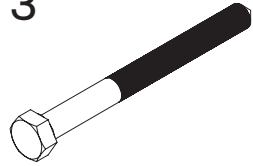
3



**Washer**

For use with M6 x 65 mm  
Hex Tapping Screw

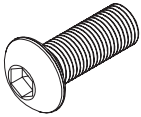
3



**M6 x 65 mm Hex  
Tapping Screw**

For securing unit  
to the wall

52



**M6 x 16 mm Hex Socket Head Screw**

16 for assembling side panels  
4 for attaching bottom panel  
4 for attaching top panel  
15 for attaching back panels  
8 for securing front corners  
4 for assembling the doors  
1 for attaching unit to other units

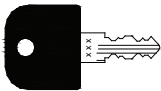
8



**End Cover**

For covering holes for  
attaching to other units,  
if not in use

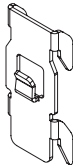
1



**Lock and Key**

For securing  
your valuables

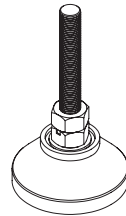
12



**Shelf Support**

For supporting  
adjustable shelves

4



**Adjustable Feet**

For attaching  
to bottom panel

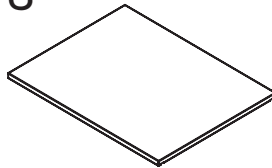
5



**M6 Hex Flange Nut**

For use with M6 x 16 mm  
Hex Socket Head Screw  
when assembling the doors  
and attaching to other units

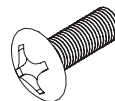
3



**Shelf**

For placing at  
desired height

16



**M4 x 12 mm Phillips  
Head Bolt**

For hanging doors

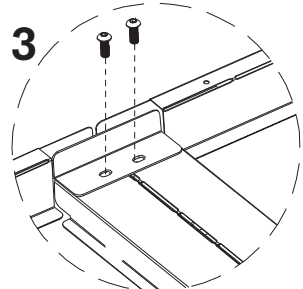
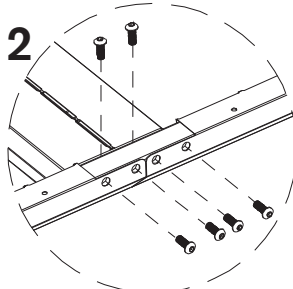
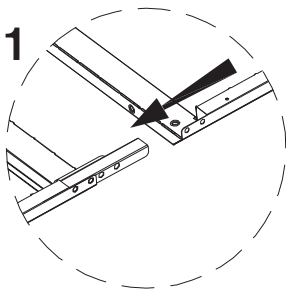
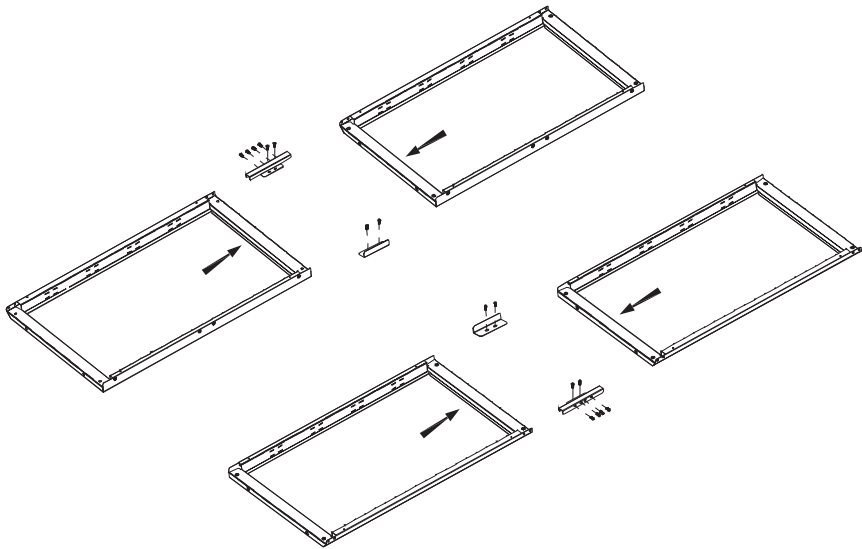
# ASSEMBLY

**NOTE:** To assemble this unit, you will require a screwdriver for M4 x 12 mm Phillips head bolts.

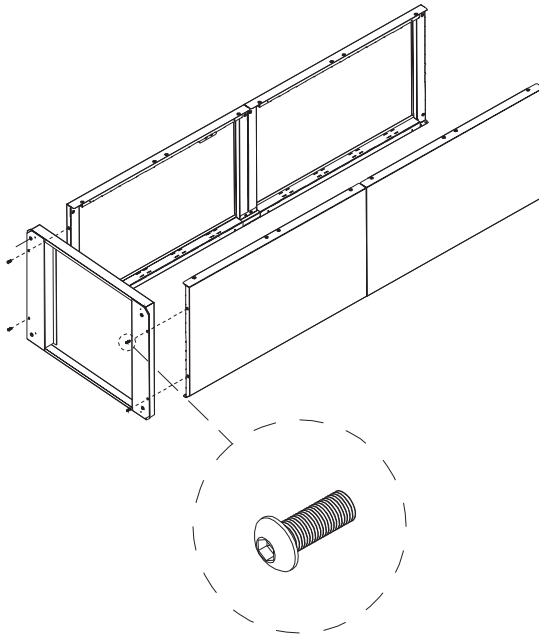
Assemble the side panels.

1. Insert a stiffener to connect two panels together on one side.
2. On the same side as the stiffener, attach the two panels together using six M6 x 16 hex socket head screws.
3. On the other side of the panels, attach a bracket using two M6 x 16 mm hex socket head screws.

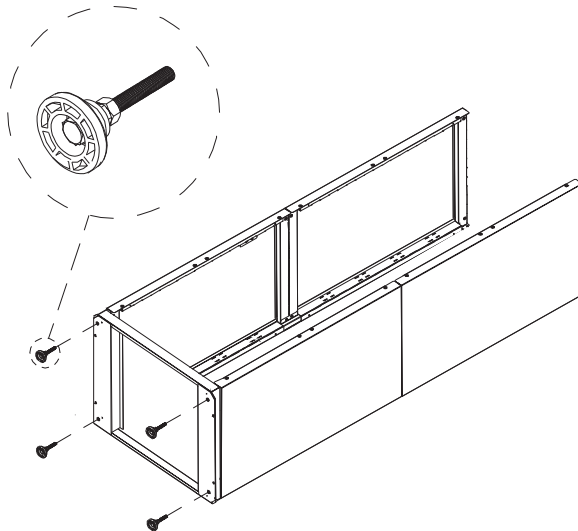
Repeat for the other two side panels.



Place assembled side panels on their side with stiffener sides facing in. Attach the bottom panel to the side panels using four M6 x 16 mm hex socket head screws.

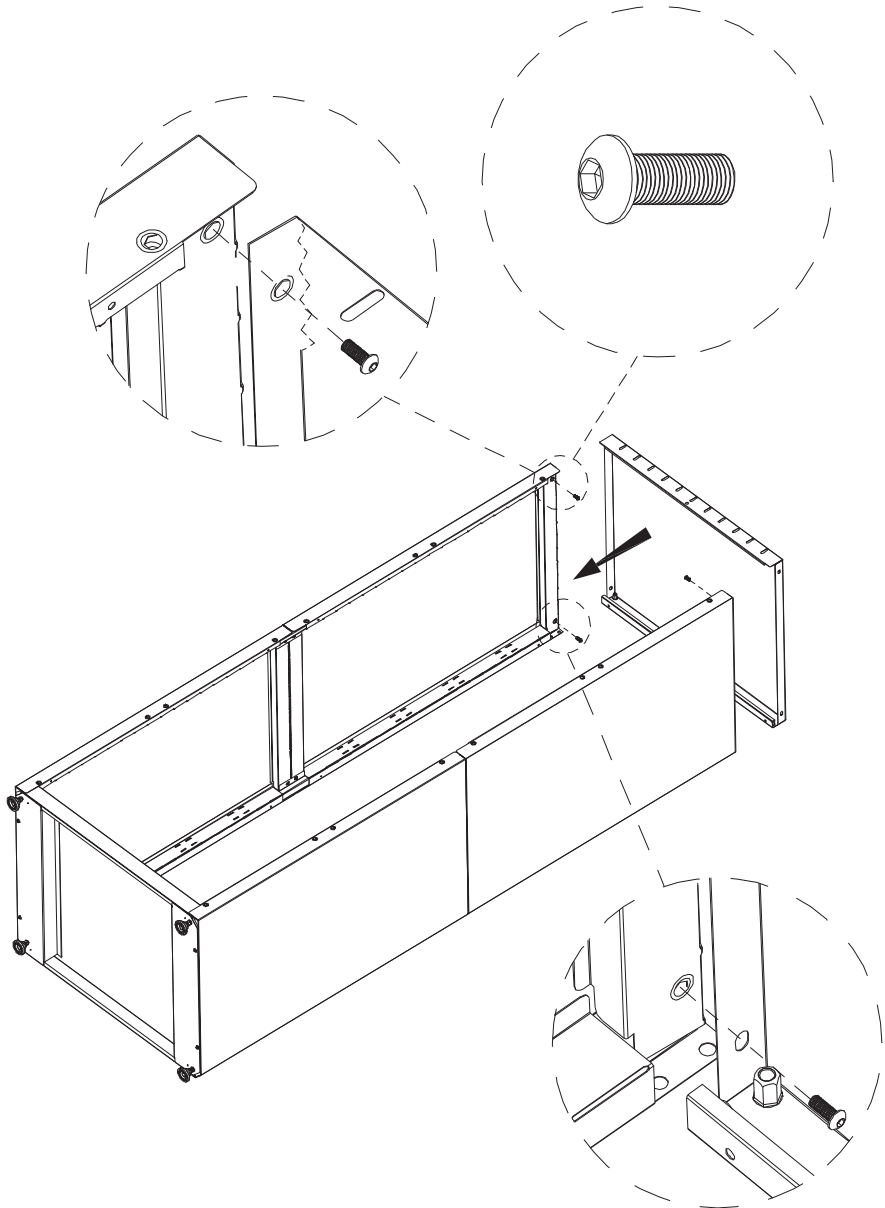


Screw the four adjustable feet into the cabinet bottom.

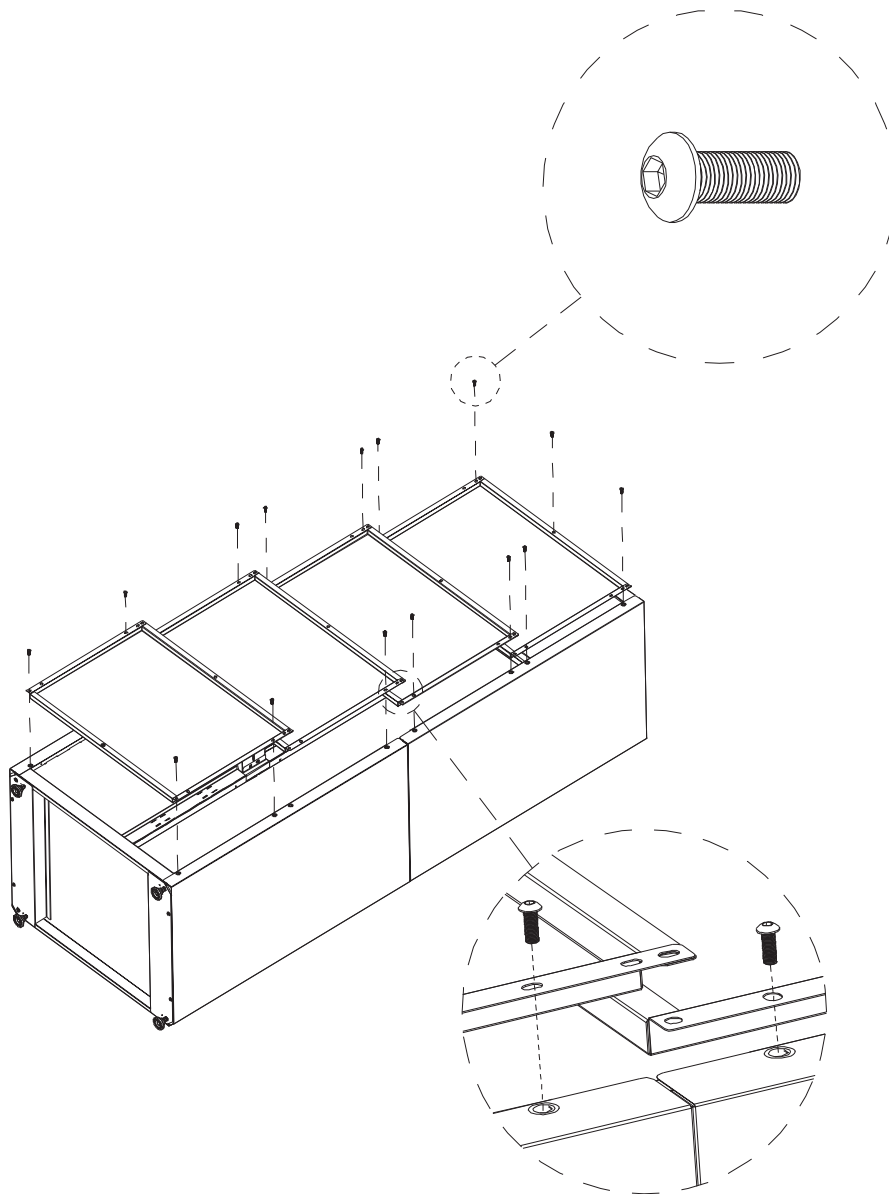




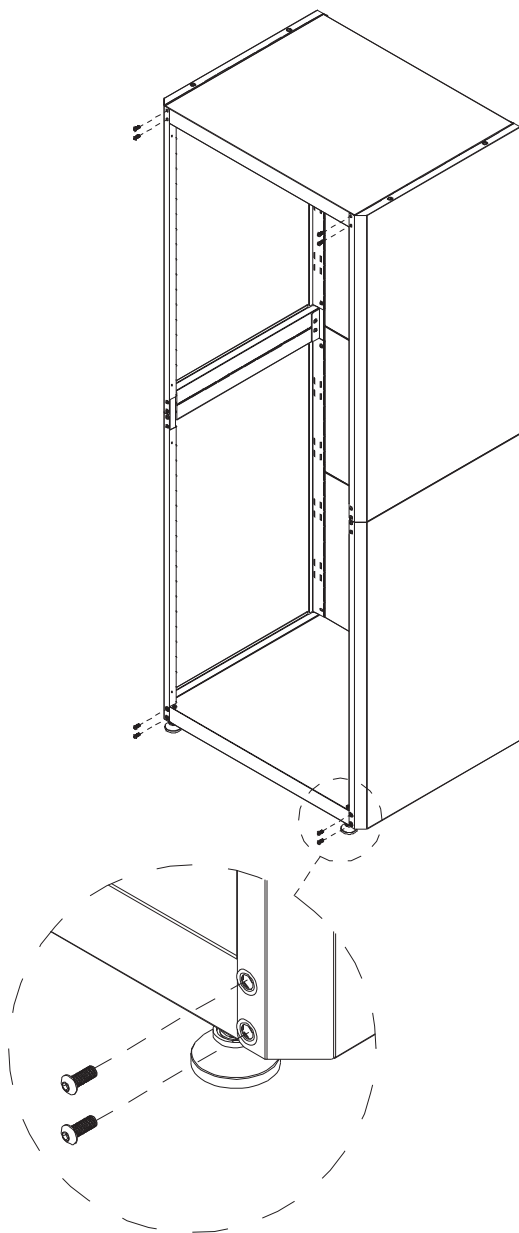
Attach the top panel using four M6 x 16 mm hex socket head screws.



Place the four back panels on the back of the cabinet, starting at the top and working down. Attach using fifteen M6 x 16 mm hex socket head screws.



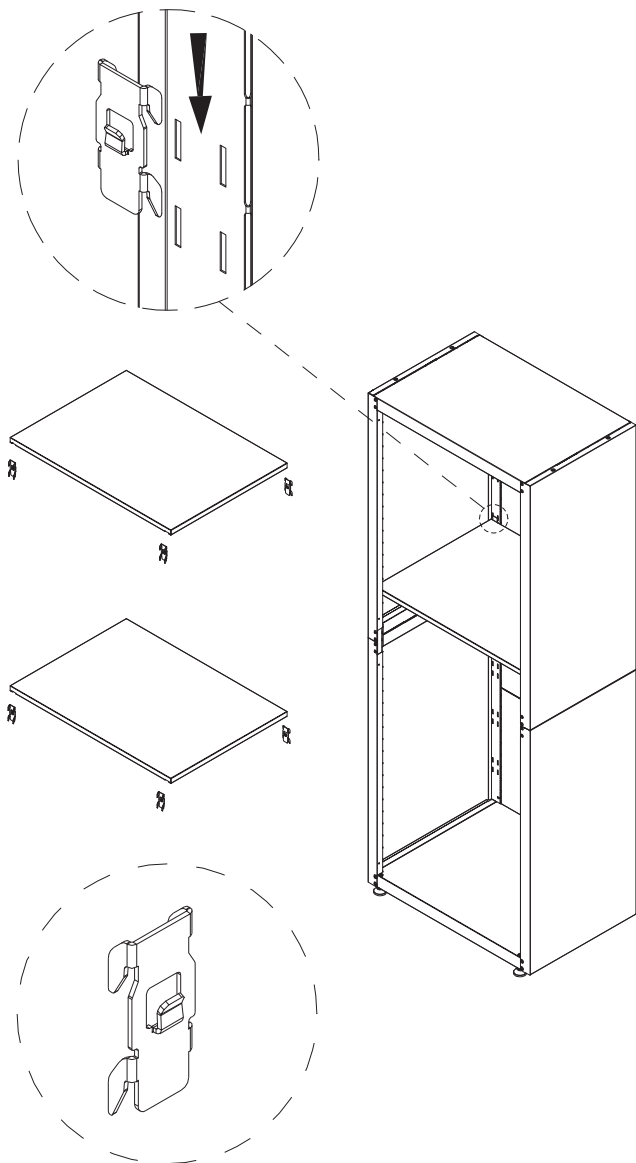
Secure the front corners of the cabinet with eight M6 x 16 mm hex socket head screws.



Insert shelf supports inside the cabinet at the desired heights.

Place the shelves on the shelf supports.

**IMPORTANT:** One shelf must be put on the fourth set of holes to ensure that the doors close and lock properly.

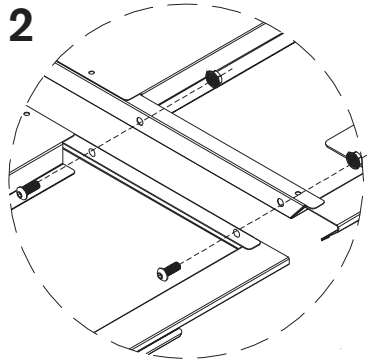
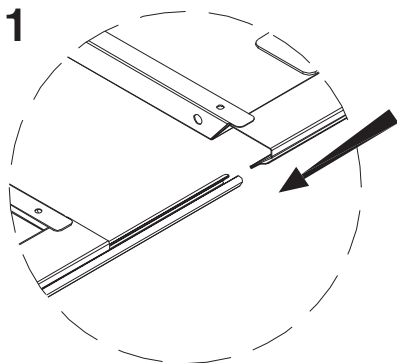
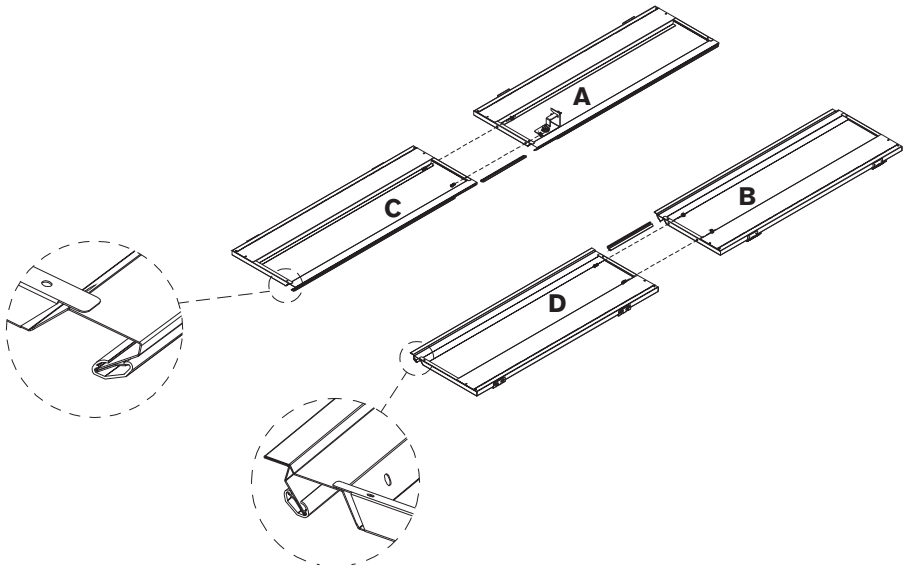


Assemble the doors.

NOTE: Panel B connects to Panel D, which has a doorstop at the bottom. Panel A connects to panel C, which does not have a doorstop at the bottom.

1. Insert a middle door pull to connect two panels together on one side.
2. Attach the two panels together using four M6 x 16 mm hex socket head screws and M6 hex flange nuts.

Repeat for the other door.

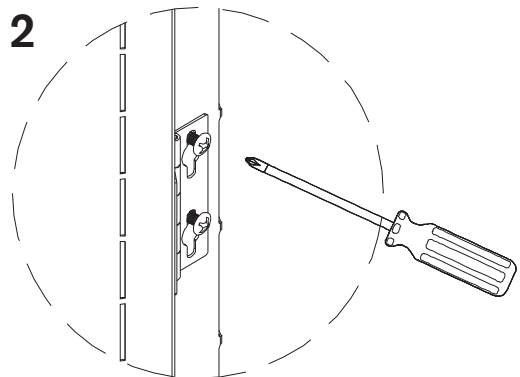
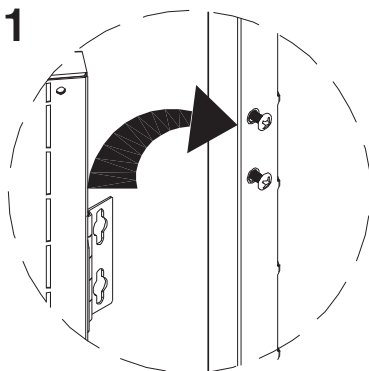
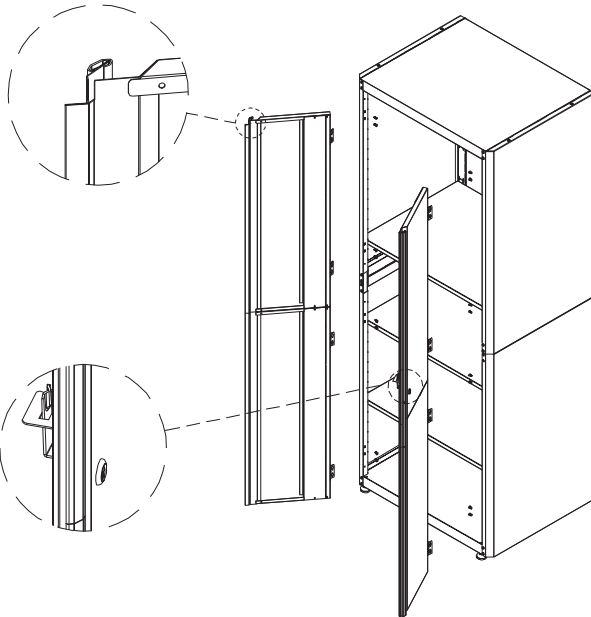


Install the door with the doorstop on the left hand side. Install the door with the lock on the right hand side, with the lock on the top.

1. Partially screw eight M4 x 12 mm Phillips head bolts into the cabinet. Hang the door on the screws.

2. Tighten the screws.

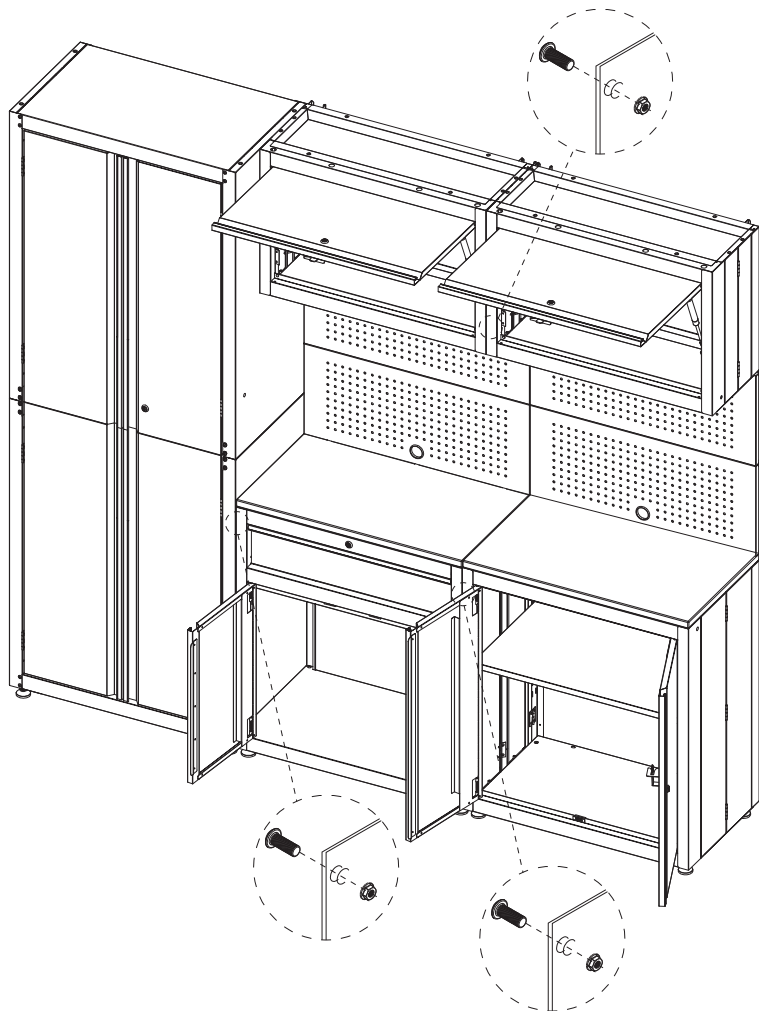
Repeat for the other door.



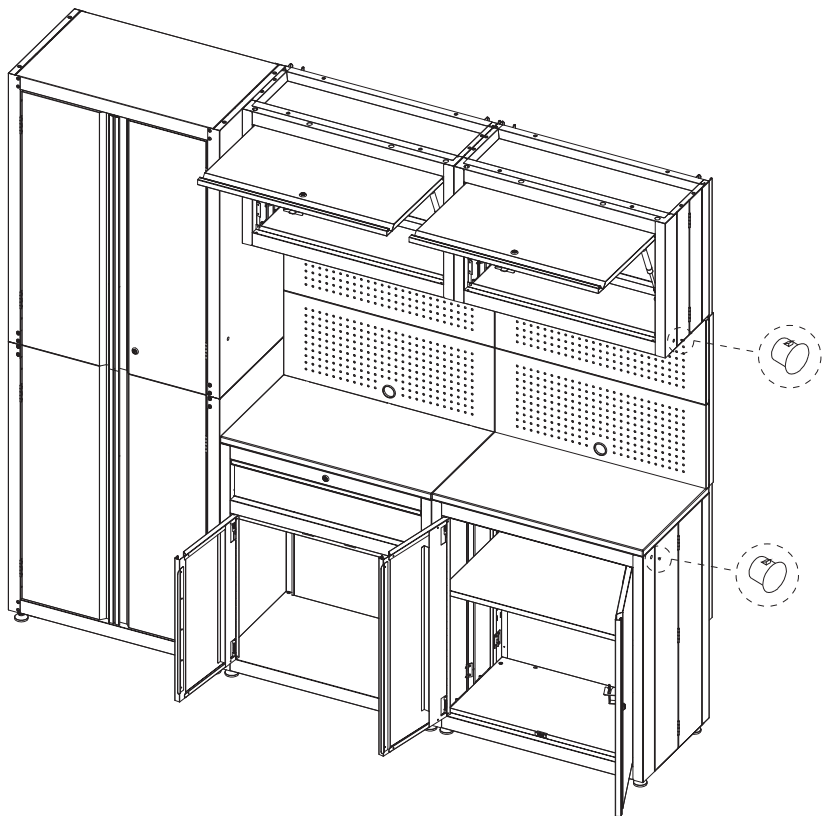
# INSTALLATION

If you have purchased other units, assemble them now, then put all units together to build your garage.

For a better appearance, attach the sides of each unit together using M6 x 16 mm hex socket head screws and M6 hex flange nuts at both top and bottom.



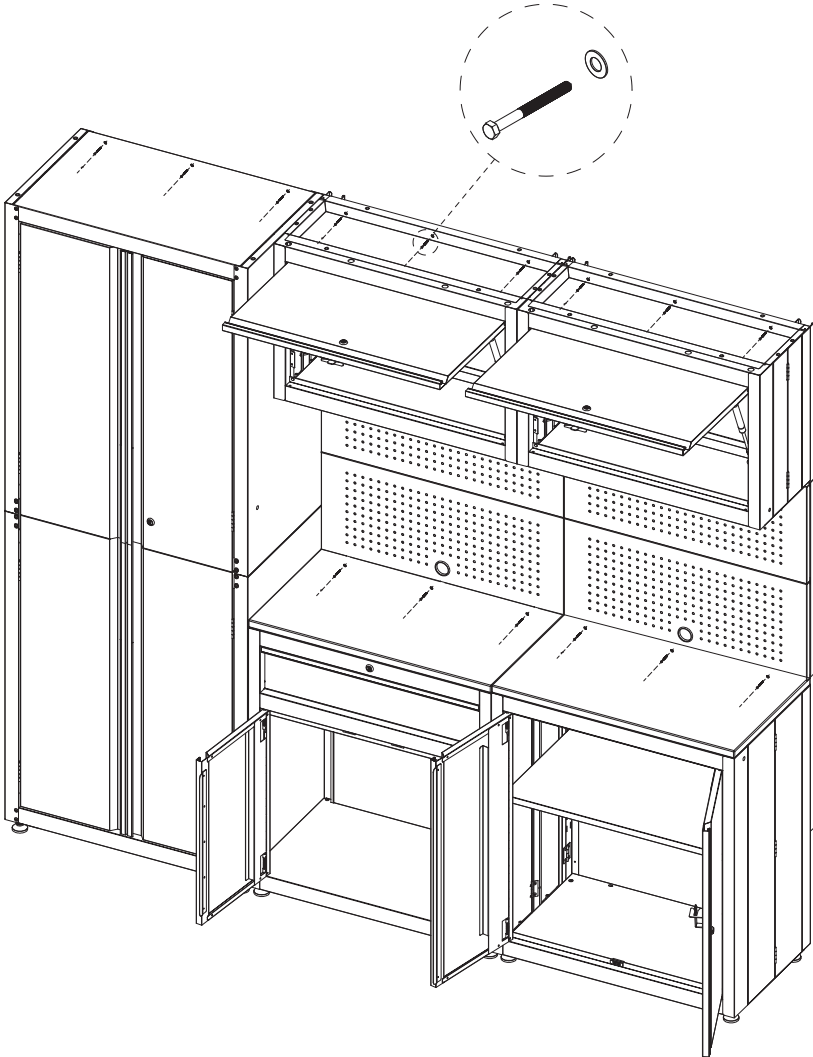
Hide holes on the exterior ends of the units with the supplied end covers, if necessary.  
si nécessaire.





For safety, secure the tops of the each unit to the wall using M6 x 65 mm hex tapping screws and washers. Use three M6 x 65 mm hex tapping screws and washers on tall cabinets.

For best results, mount to studs or other solid surfaces. Do not mount to drywall as it will not support the required weight and poses a danger if mounted incorrectly.



# MAINTENANCE

Periodically clean the door fronts, trim, and other surfaces with mild detergent and water.

Grease and oil can be removed with most standard cleaning fluids. For safety, use a nonflammable cleaning fluid.

# SAFETY

Use two people to move the units into place. Failure to do so can result in back or other injuries.

DO NOT leave children unattended near the garage storage system.

DO NOT alter this product in any manner. For example, do not weld external lock bars or attach electrical equipment. This may cause product damage or personal injury.

Close and lock the doors before moving this product. The doors could come open and make the product unstable and tip, which may cause personal injury or product damage.

Keep the product on level surfaces. The product could become unstable and tip if stored or moved on an uneven surface, which may cause personal injury or product damage.



This product is warranted to be free from defects in materials and workmanship for a period of five (5) years from the date of original purchase.

If this product is defective, email [service@montezumastorage.com](mailto:service@montezumastorage.com) or call 1-800-459-4409 (Monday–Friday, 8:00 am–4:30 pm, CST). If the product is defective, we will replace the defective part at no cost to you.

Please do not ship your product back to the store or to us unless we send you written instructions for return.

In the event it becomes necessary for your product to be returned, we will notify you how to proceed.

A copy of your original purchase receipt must accompany the returned product.



**Montezuma**<sup>®</sup>  
LIFE ORGANIZED

Manufactured by:

**QUALITY CRAFT**

Surrey, BC, Canada V3S 5N4

[service@montezumastorage.com](mailto:service@montezumastorage.com)

1-800-459-4409

(Monday to Friday, 8:00 am–4:30 pm, CST)

Made in China

[www.montezumastorage.com](http://www.montezumastorage.com)

FG30TCL-EN/FR-06/19