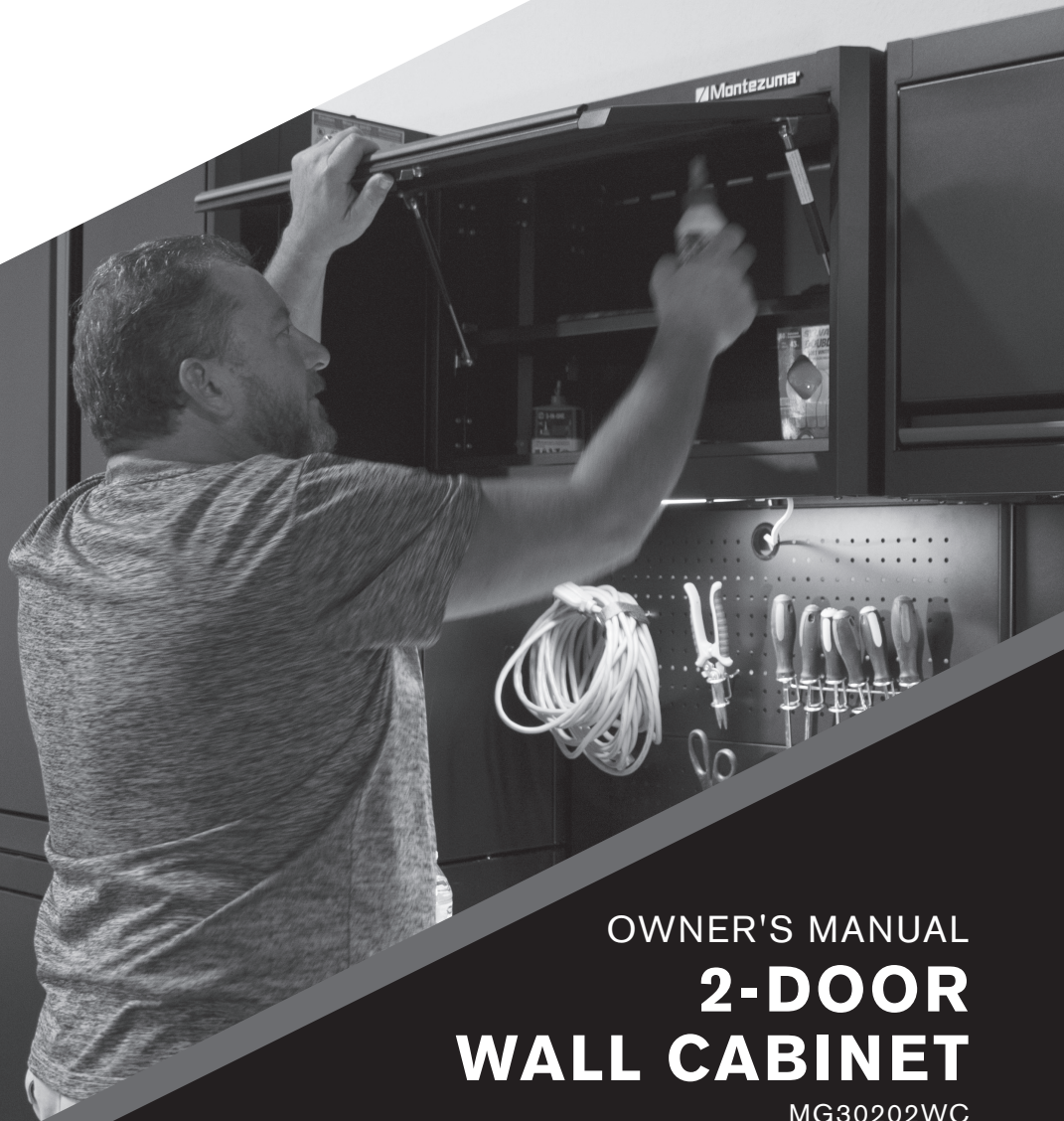


**Montezuma**<sup>®</sup>  
LIFE ORGANIZED



OWNER'S MANUAL  
**2-DOOR**  
**WALL CABINET**

MG30202WC

[www.montezumastorage.com](http://www.montezumastorage.com)

# LIFE ORGANIZED

Montezuma is committed to helping you succeed in both your work and personal life by being organized, prepared and equipped with the right tools, gear and home supplies at your finger tips.

We are here to ensure that your life is organized.

Thank you for your purchase of this Montezuma 2-Door Wall Cabinet.

## ATTENTION

**TO REDUCE THE RISK OF INJURY, THE USER MUST READ AND UNDERSTAND THIS INSTRUCTION MANUAL BEFORE USING THIS PRODUCT FOR THE FIRST TIME. SAVE THESE INSTRUCTIONS FOR FUTURE REFERENCE.**

Fill in the following information and retain this owner's manual for future reference:

MODEL(S):

DATE OF PURCHASE:

PLACE OF PURCHASE:

RECEIPT NO:

# SPECIFICATIONS

## 2-DOOR WALL CABINET

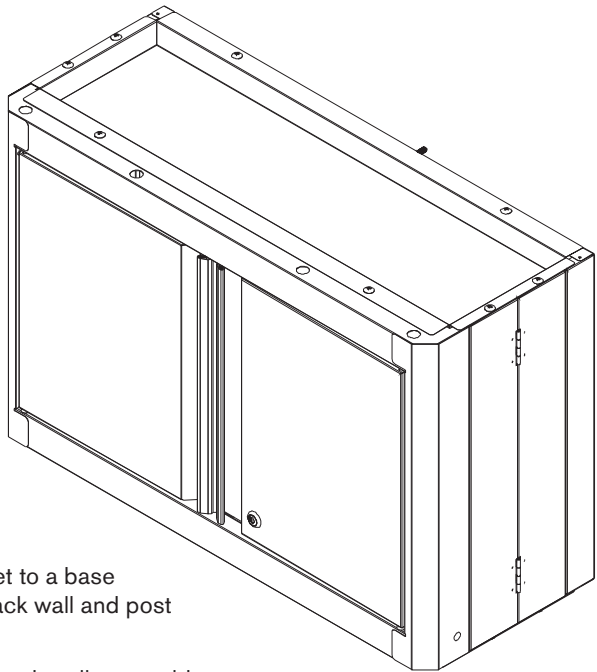
MG30202WC

### OVERALL DIMENSIONS:

30-1/2" W x 12" D x 20-1/8" H  
(77.6 cm W x 30.5 cm D x 51 cm H)

NET WEIGHT: 28.7 lb (13 kg)

MAXIMUM SHELF WEIGHT CAPACITY: 50 lb (23 kg)



You can attach this wall cabinet to a base cabinet using the pegboard back wall and post combination.

Base cabinets and pegboard back walls are sold separately. The following units are available:

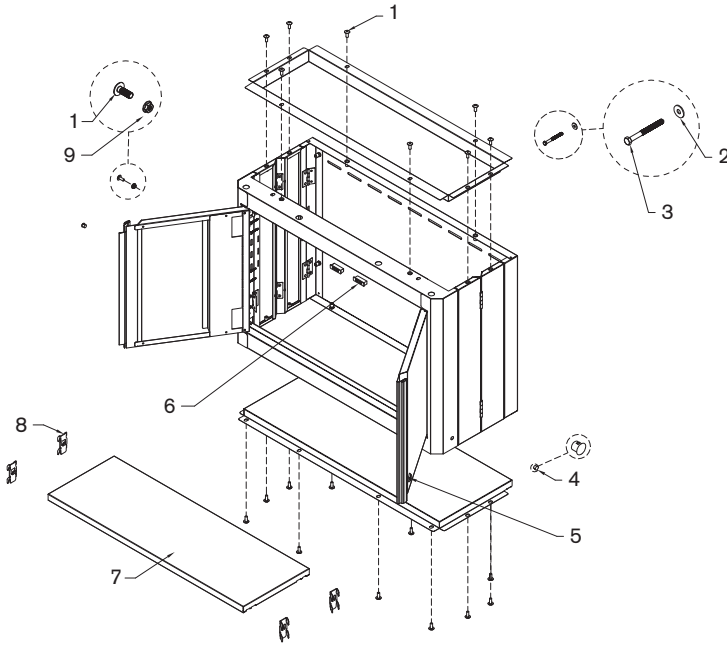
**4-Drawer Base Cabinet** MG30244BC

**2-Door Base Cabinet** MG30242BC

**Pegboard Back Wall and Posts** MGBWC01

Visit [www.montezumastorage.com](http://www.montezumastorage.com)  
for more information.

# PARTS LIST

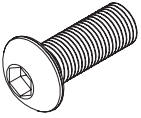


The keys are taped inside the cabinet.

REF	DESCRIPTION	PART NUMBER	QTY
1	M6 x 16 Hex Socket Head Screw	320327	20
2	Washer	324050	3
3	M6 x 65 Hex Tapping Screw	320316	3
4	End Cover	314195	2
5	Lock and Key	304178	1
6	Magnet	312033	2
7	Shelf	233955	1
8	Shelf Support	226078	4
9	M6 Hex Flange Nut	323085	1

To order replacement parts, email [service@montezumastorage.com](mailto:service@montezumastorage.com) or call 1-800-459-4409 (Monday–Friday, 8:00 am–4:30 pm, CST). Have the part number and quantity ready. Replacement keys may be ordered using the code that appears on the face of the lock. Not all parts are covered under warranty. Those parts not covered can be purchased.

20



**M6 x 16 Hex Socket Head Screw**

8 for attaching top panel

11 for attaching bottom panel

1 for attaching unit to other units

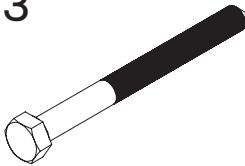
3



**Washer**

For use with M6 x 65 Hex Tapping Screw

3



**M6 x 65 Hex Tapping Screw**

For securing unit to the wall

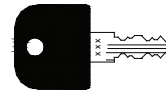
2



**End Cover**

For covering holes for attaching to other units, if not in use

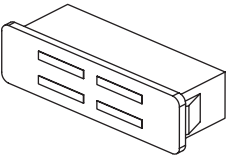
1



**Lock and Key**

For securing your valuables

2

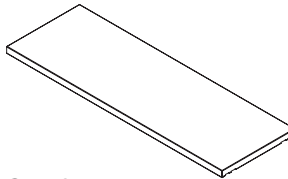


**Magnet**

Pre-installed

For keeping doors closed

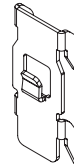
1



**Shelf**

For placing at desired height

4



**Shelf Support**

For supporting adjustable shelf

1



**M6 Hex Flange Nut**

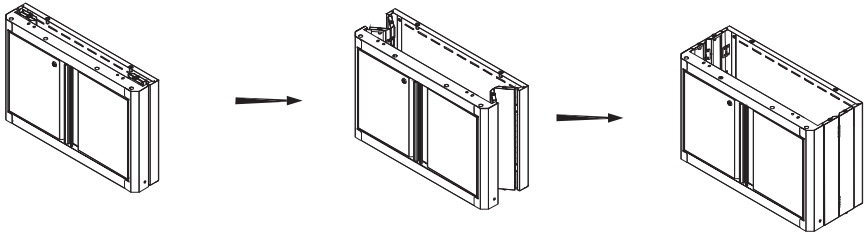
For use with M6 x 16 hex Socket Head Screw when attaching unit to other units

# ASSEMBLY

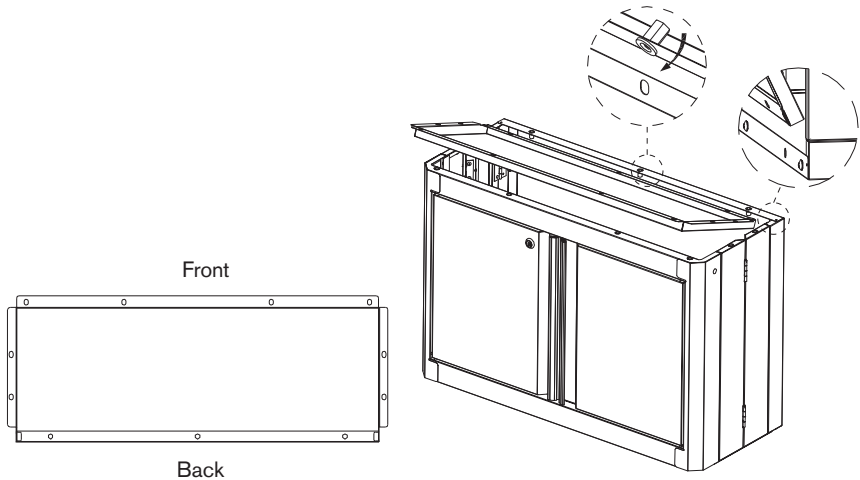
Visit [www.montezumastorage.com](http://www.montezumastorage.com) to watch the how-to video.

Carefully separate the front and back panels, allowing the side panels to unfold completely.

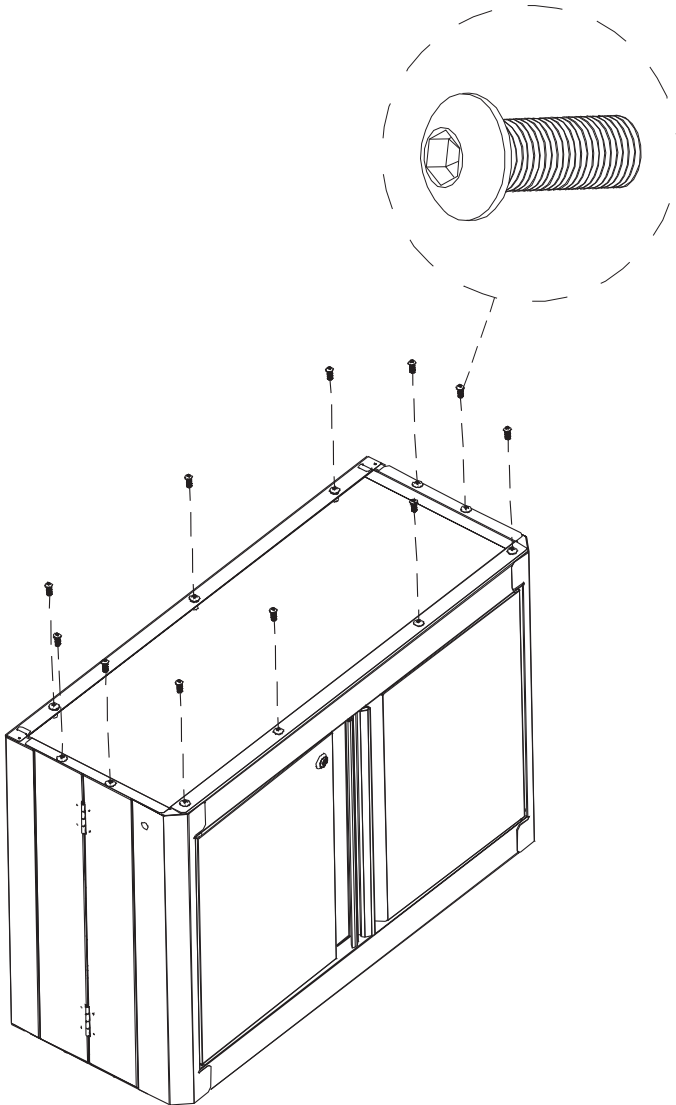
Make sure the unit is upside down.



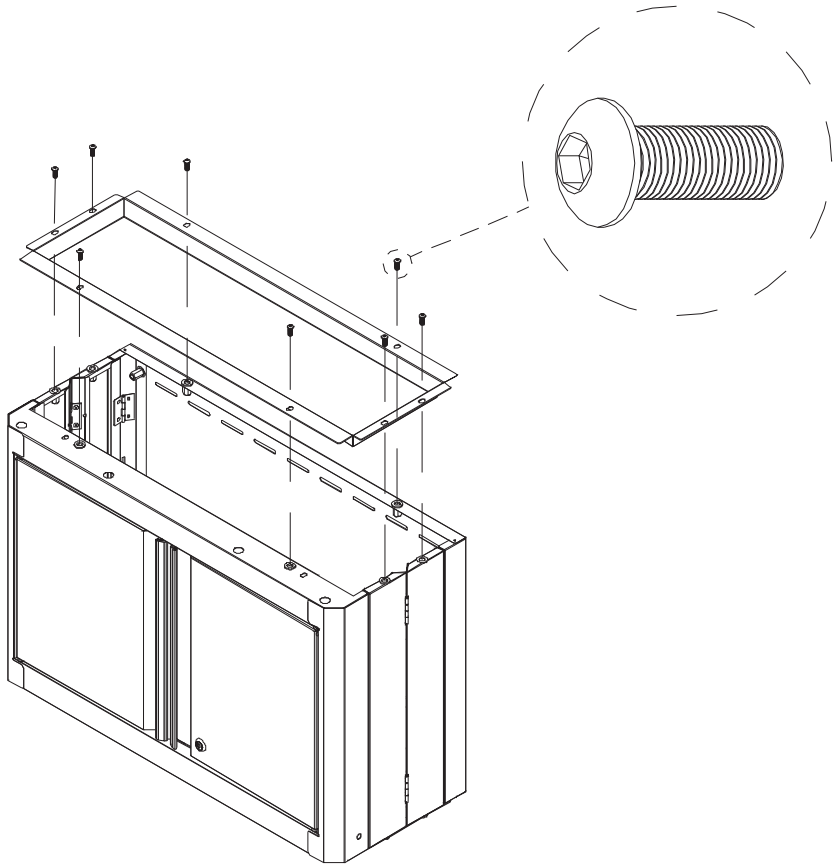
Insert the lip of the bottom panel into the slot in the back of the cabinet, then tilt the bottom panel down. Make sure the holes are aligned.



Attach the bottom panel using eleven M6 x 16 hex socket head screws.

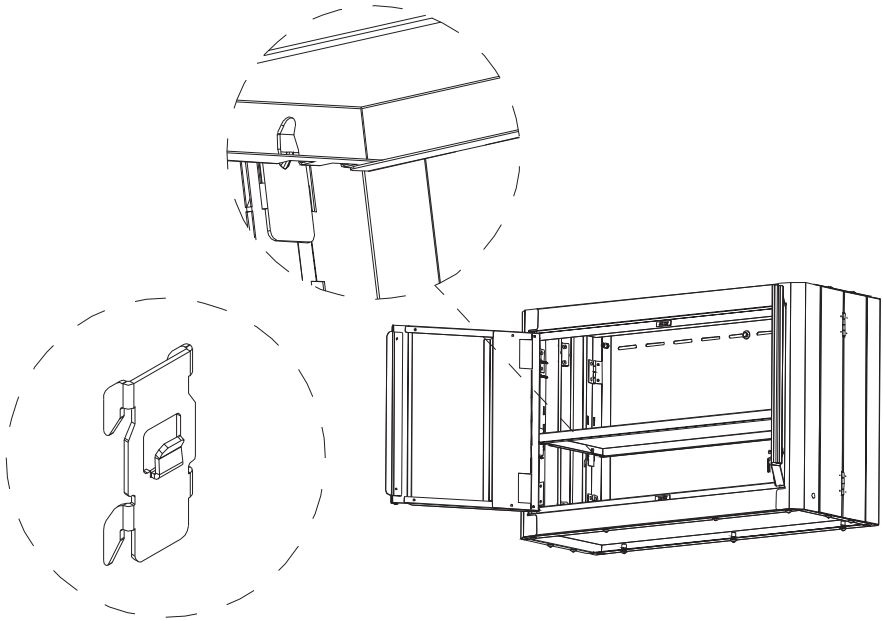


Turn the cabinet back to the upright position. Attach the top panel using eight M6 x 16 hex socket head screws.





Insert four shelf supports inside the cabinet at the desired height.  
Place the shelf on the shelf supports.

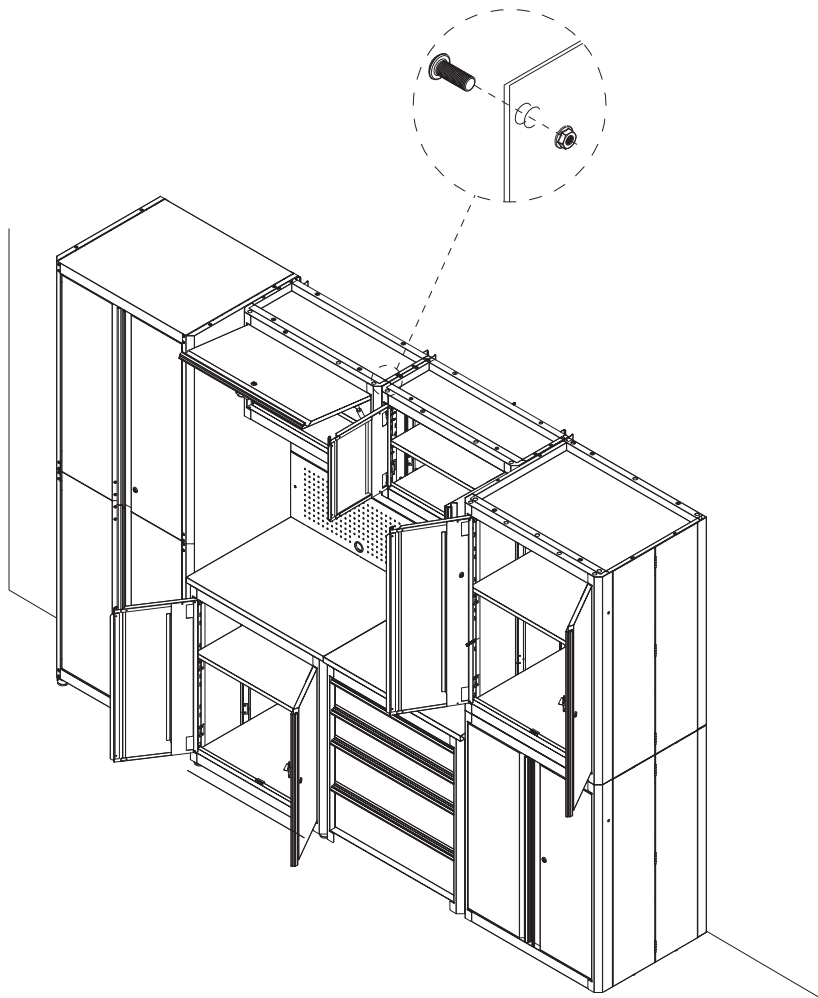


If you have purchased a pegboard back wall, posts and base cabinet, refer to the owner's manual for the pegboard back wall and posts for how to install your wall cabinet on your base cabinet.

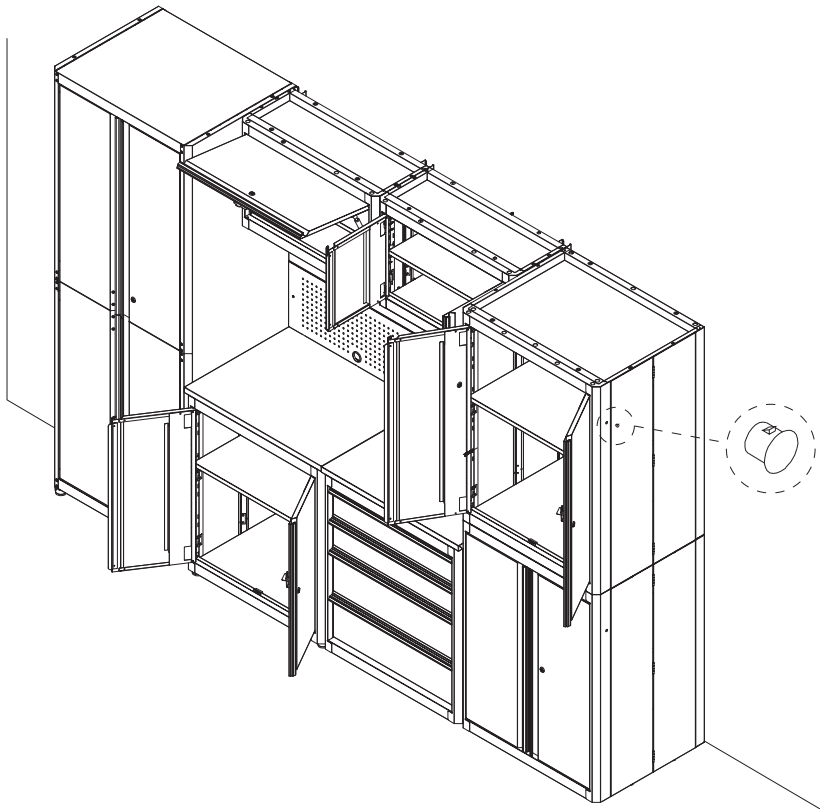
# INSTALLATION

If you have purchased other units, assemble them now, then put all units together to build your garage.

For a better appearance, attach units together using a M6 x 16 hex socket head screw and M6 hex flange nut. Holes are located at the top front side of each unit.

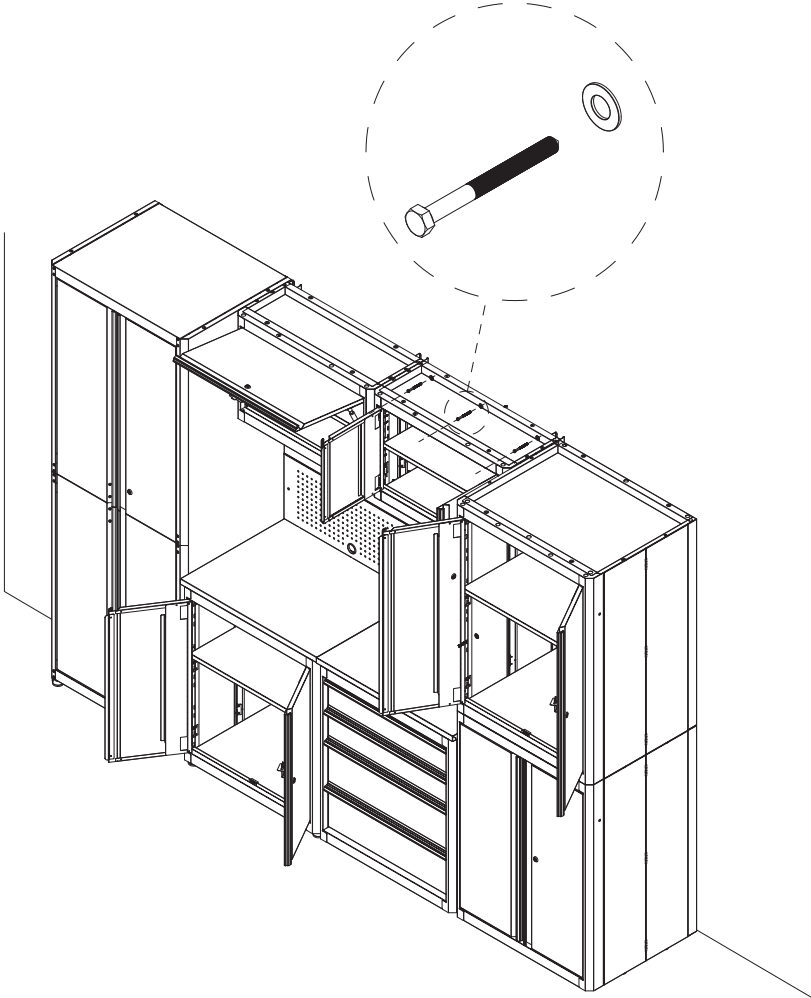


Hide holes on the exterior ends of the units with the supplied end covers, if necessary.



For safety, secure the tops of the each unit to the wall using three M6 x 65 hex tapping screws and washers.

For best results, mount to studs or other solid surfaces. Do not mount to drywall as it will not support the required weight and poses a danger if mounted incorrectly.



# MAINTENANCE

Periodically clean the door fronts, trim, and other surfaces with mild detergent and water.

Grease and oil can be removed with most standard cleaning fluids. For safety, use a nonflammable cleaning fluid.

# SAFETY

Use two people to move the units into place. Failure to do so can result in back or other injuries.

DO NOT leave children unattended near the garage storage system.

DO NOT alter this product in any manner. For example, do not weld external lock bars or attach electrical equipment. This may cause product damage or personal injury.

Close and lock the doors before moving this product. The doors could come open and make the product unstable and tip, which may cause personal injury or product damage.

Keep the product on level surfaces. The product could become unstable and tip if stored or moved on an uneven surface, which may cause personal injury or product damage.



This product is warranted to be free from defects in materials and workmanship for a period of five (5) years from the date of original purchase.

If this product is defective, email [service@montezumastorage.com](mailto:service@montezumastorage.com) or call 1-800-459-4409 (Monday–Friday, 8:00 am–4:30 pm, CST). If the product is defective, we will replace the defective part at no cost to you.

Please do not ship your product back to the store or to us unless we send you written instructions for return.

In the event it becomes necessary for your product to be returned, we will notify you how to proceed.

A copy of your original purchase receipt must accompany the returned product.





# Montezuma®

LIFE ORGANIZED

Manufactured by:

**QUALITY CRAFT**

Surrey, BC, Canada V3S 5N4

[service@montezumastorage.com](mailto:service@montezumastorage.com)

1-800-459-4409

(Monday to Friday, 8:00 am–4:30 pm, CST)

Made in China

[www.montezumastorage.com](http://www.montezumastorage.com)

MG30202WC-12/18