



OWNER'S MANUAL

56" X 24"

**WORKBENCH WITH
BAMBOO WORKTOP**

5624BNC

www.montezumastorage.com

LIFE ORGANIZED

Montezuma is committed to helping you succeed in both your work and personal life by being organized, prepared and equipped with the right tools, gear and home supplies at your finger tips.

We are here to ensure that your life is organized.

Thank you for your purchase of this Montezuma Workbench

ATTENTION

TO REDUCE THE RISK OF INJURY, THE USER MUST READ AND UNDERSTAND THIS INSTRUCTION MANUAL BEFORE USING THIS PRODUCT FOR THE FIRST TIME. SAVE THESE INSTRUCTIONS FOR FUTURE REFERENCE.

Fill in the following information and retain this owner's manual for future reference:

MODEL(S):

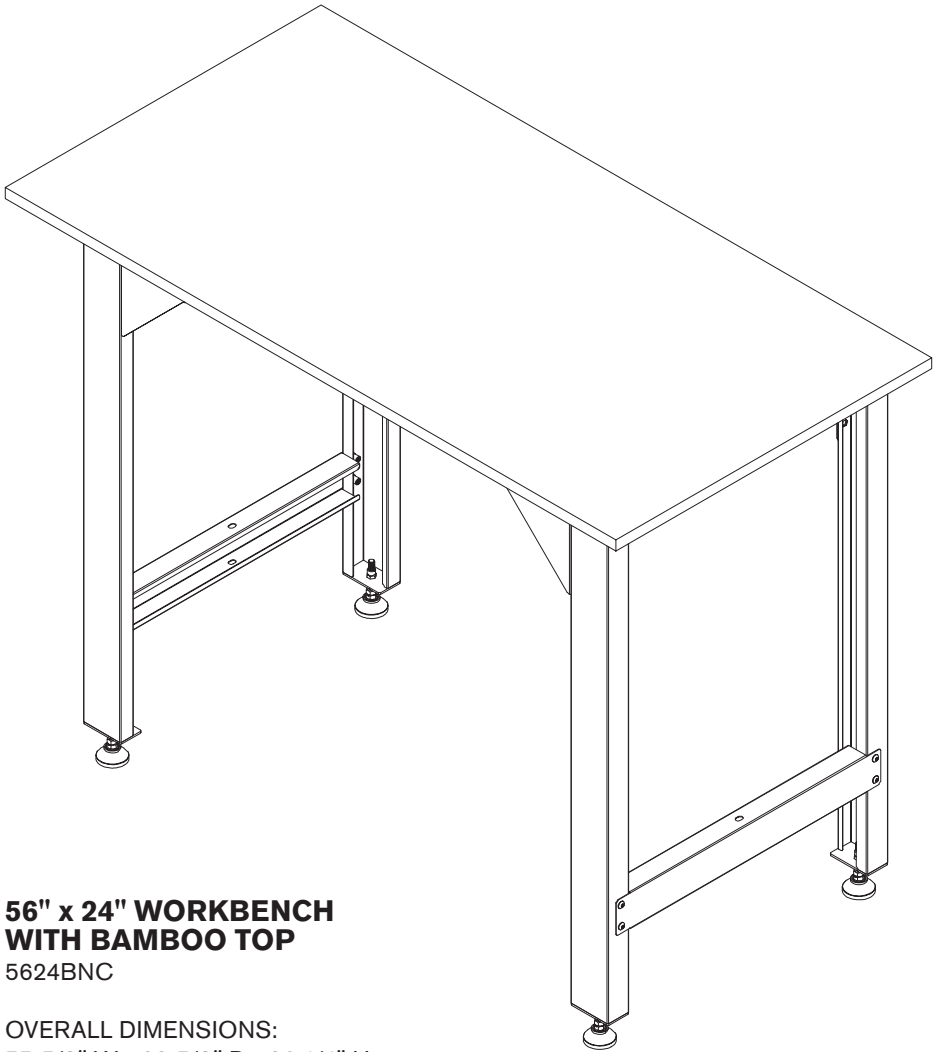
DATE OF PURCHASE:

PLACE OF PURCHASE:

RECEIPT NO:

SPECIFICATIONS

MAXIMUM PRODUCT WEIGHT (INCLUDING CONTENTS): 500 kg (1102 lb)



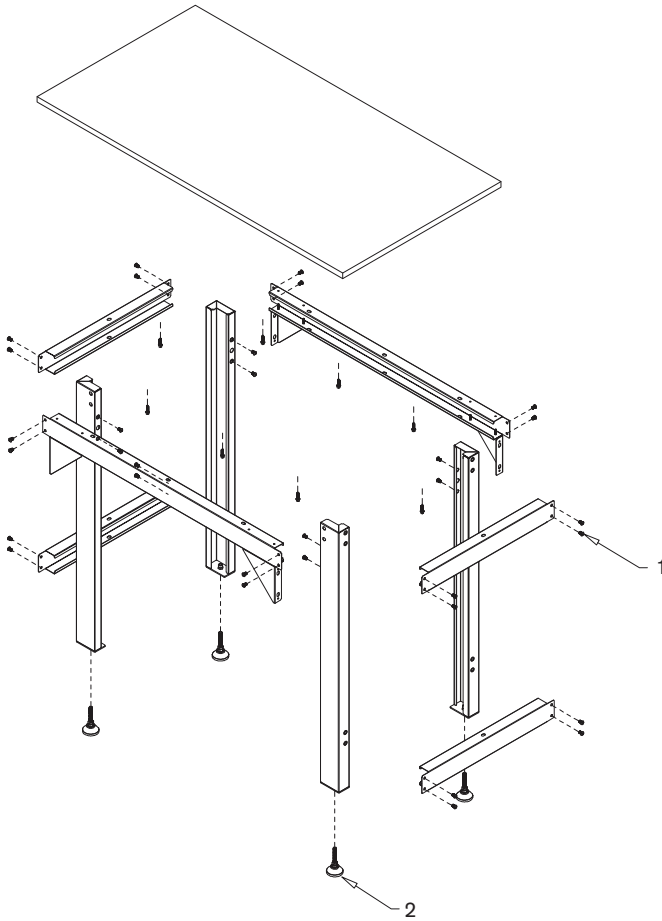
56" x 24" WORKBENCH WITH BAMBOO TOP

5624BNC

OVERALL DIMENSIONS:

55-5/8" W x 23-5/8" D x 36-1/4" H
(141.2 cm W x 60 cm D x 92 cm H)

PARTS LIST



| REF | DESCRIPTION | PART NUMBER | QTY |
|-----|----------------------------------|-------------|-----|
| 1 | M6 x 16 mm Hex Socket Head Screw | 320327 | 40 |
| 2 | Adjustable Leveling Feet | 110068 | 4 |

To order replacement parts, email service@montezumastorage.com or call 1-800-459-4409 (Monday–Friday, 8:00 am–4:30 pm, CST). Have the part number and quantity ready. Replacement keys may be ordered using the code that appears on the face of the lock. Not all parts are covered under warranty. Those parts not covered can be purchased.

FRAME ASSEMBLY

Assemble one end of the workbench by attaching (2) short cross braces to (1) Post A and (1) Post B using (4) M6 x 16 mm hex socket head screws per cross brace. See Figure 1.

Screw (2) leveling feet into the bottom of the legs. See Figure 1.

Repeat to create the other end of the workbench.

Connect the (2) ends together using the (2) long cross braces and (8) M6 x 16 mm hex bolts per cross brace. See Figure 2.

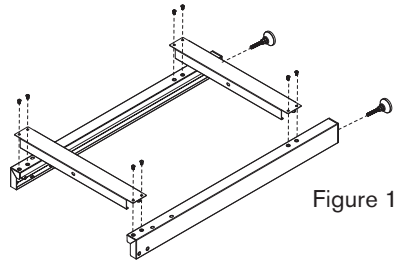


Figure 1

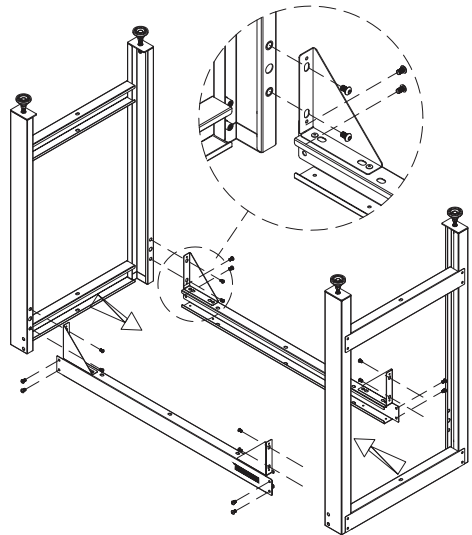
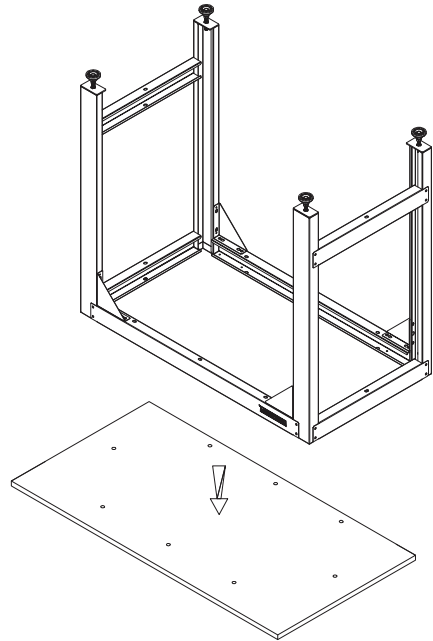


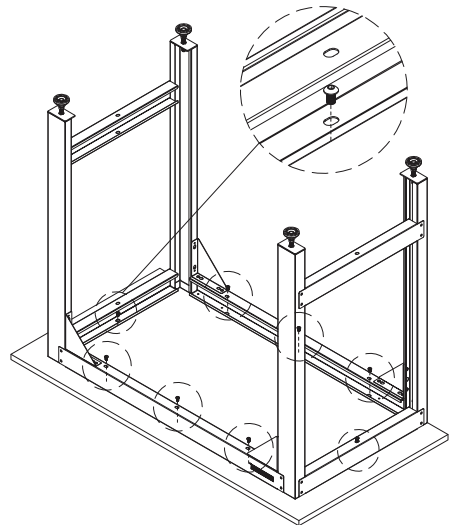
Figure 2

WORKTOP INSTALLATION

Lay the bamboo worktop upside down on a soft mat for protection. Place the assembled frame upside down on the worktop. The bamboo worktop should be flush with the back of the frame.



Attach the frame to the worktop using (8) M6 x 16 mm hex socket screws.



MAINTENANCE

Periodically clean the frame and wood top with mild detergent and water.

Grease and oil can be removed from the steel portions of the workbench using most standard cleaning fluids. For safety, use a nonflammable cleaning fluid.

SAFETY

DO NOT stand or lean on the work top.

DO NOT mount this product on a truck bed or any other moving object. This may cause personal injury or product damage.

DO NOT alter this product in any manner. For example, do not weld external lockbars or attach electrical equipment. This may cause product damage or personal injury.

Adjust the levelling feet so that the product is level. The product may become unstable and tip if uneven, which may cause personal injury or product damage.



This product is warranted to be free from defects in materials and workmanship for a period of one (1) year from the date of original purchase.

If this product is defective, email service@montezumastorage.com or call 1-800-459-4409 (Monday–Friday, 8:00 am–4:30 pm, CST). If the product is defective, we will replace the defective part at no cost to you. Please do not ship your product back to the store or to us unless we send you written instructions for return.

In the event it becomes necessary for your product to be returned, we will notify you how to proceed. A copy of your original purchase receipt must accompany the returned product.



Manufactured by:

QUALITY CRAFT

Surrey, BC, Canada V3S 5N4

service@montezumastorage.com

1-800-459-4409

(Monday to Friday, 8:00 am–4:30 pm, CST)

Made in China