



OWNER'S MANUAL
16" X 24"
SIDE LOCKER

M162403SL

www.montezumastorage.com

LIFE ORGANIZED

Montezuma is committed to helping you succeed in both your work and personal life by being organized, prepared and equipped with the right tools, gear and home supplies at your finger tips.

We are here to ensure that your life is organized.

Thank you for your purchase of this Montezuma Side Locker.

ATTENTION

TO REDUCE THE RISK OF INJURY, THE USER MUST READ AND UNDERSTAND THIS INSTRUCTION MANUAL BEFORE USING THIS PRODUCT FOR THE FIRST TIME. SAVE THESE INSTRUCTIONS FOR FUTURE REFERENCE.

Fill in the following information and retain this owner's manual for future reference:

MODEL(S):

DATE OF PURCHASE:

PLACE OF PURCHASE:

RECEIPT NO:

SPECIFICATIONS

MAXIMUM PRODUCT WEIGHT (INCLUDING CONTENTS): 450 lb (204 kg)

MAXIMUM DRAWER WEIGHT: 100 lb (45 kg)

MAXIMUM SHELF WEIGHT CAPACITY: 100 lb (45 kg)

16" x 24" 3-DRAWER SIDE LOCKER

M162403SL

OVERALL DIMENSIONS:

15-7/8" W x 24-5/8" D x 59-3/4" H

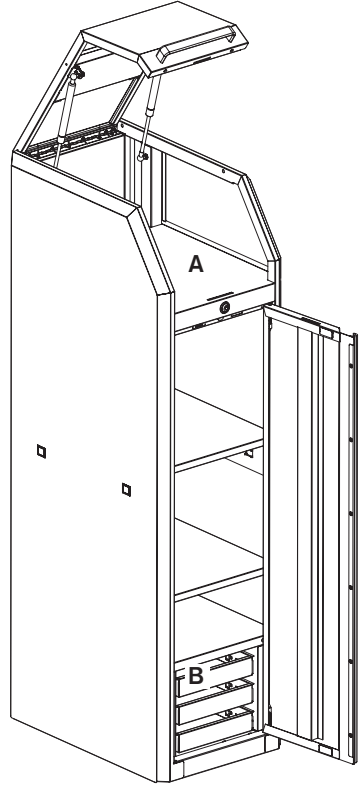
(40.3 cm W x 62.5 cm D x 151.9 cm H)

NET WEIGHT: 128 lb (58 kg)

INSIDE TILL/DRAWER DIMENSIONS:

REF	DIMENSIONS	QTY
A	12-7/8" W x 17-3/4" D x 7-7/8" H (32.7 cm W x 45 cm D x 20 cm H)	1
B	16-3/4" W x 9-3/8" D x 2" H (42.7 cm W x 23.8 cm D x 5 cm H)	3

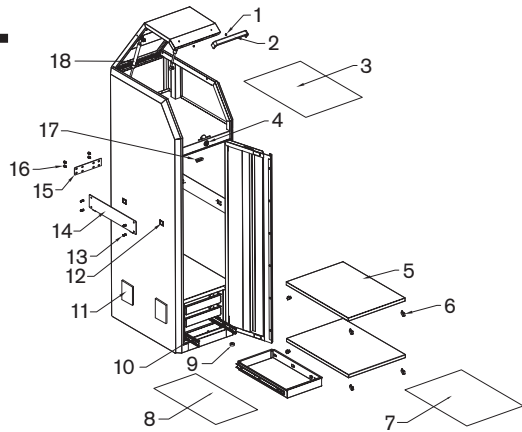
WE RECOMMEND USING THIS SIDE LOCKER WITH ANY MONTEZUMA 24" DEEP TOOL COMBO THAT IS 46" OR WIDER



PARTS LIST



The keys are taped to the shelf.



REF	DESCRIPTION	PART NUMBER	QTY
1	M4 x 5 mm Phillips Head Bolt	320060	2
2	Handle	301883	1
3	Till Liner	552158	1
4	Lock and Key (1201–1204)	304166	1
5	Shelf	242013	2
6	Shelf Support	203902	8
7	Shelf Liner	552157	3
8	Drawer Liner	552159	3
9	Mat	314219	1
10	Slide Set	300027–300028	3
11	EVA Liner	600100	2
12	End Cover	314047	4
13	M6 x 20 Counter Sink Screw	320049	4
14	Hanger	241998	1
15	Connector	241999	1
16	M6 x 12 Hex Bolt	321051	4
17	Cantridge Magnet	312033	1
18	Gas Strut	303217	2

To order replacement parts, email service@montezumastorage.com or call 1-800-459-4409 (Monday–Friday, 8:00 am–4:30 pm, CST). Have the part number and quantity ready. Replacement keys may be ordered using the code that appears on the face of the lock. Not all parts are covered under warranty. Those parts not covered can be purchased.

2



M4 x 5 mm Phillips Head Bolt

Pre-installed
For attached the handle

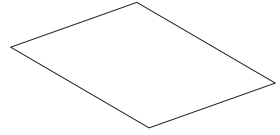
1



Handle

Pre-installed
For opening lid

1



Till Liner

For protecting your till

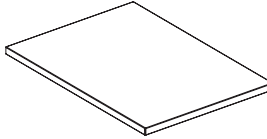
1



Lock and Key

For securing
your valuables

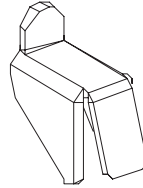
2



Shelf

For placing at
desired height

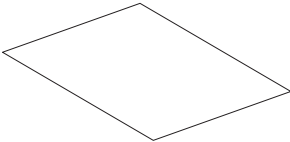
8



Shelf Support

For installing the shelf

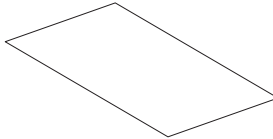
3



Shelf Liner

For protecting your shelves

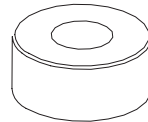
3



Drawer Liner

For protecting
your drawers

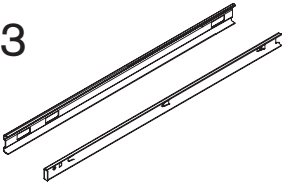
1



Mat

For the bottom pivot
of the door

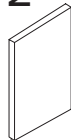
3



Slide Set

Pre-installed
For installing drawers

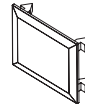
2



EVA Liner

For attaching to the
bottom of the side locker

4



End Cover

Pre-installed on side
panel – remove when
hanging on a tool cabinet

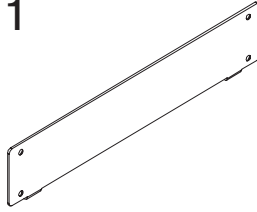
4



M6 x 20 Counter Sink Screw

For installing the hanger

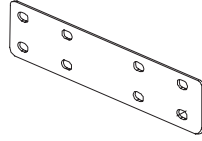
1



Hanger

For hanging the side cabinet on a tool cabinet

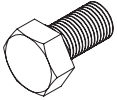
1



Connector

For attaching the side locker to a tool combo

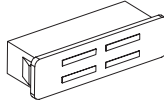
4



M6 x 12 mm Hex Bolt

For attaching the connector

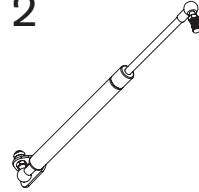
1



Cantridge Magnet

Pre-installed
For keeping door closed

2



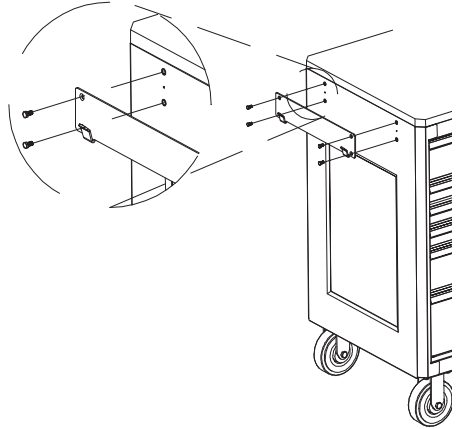
Gas Strut

Pre-installed
For lifting the hutch lid

HANGER INSTALLATION

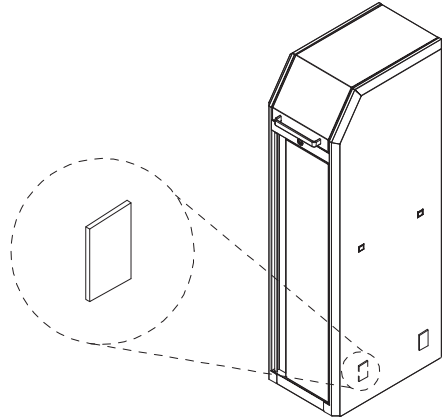
The hanger can be mounted on either side of a tool cabinet. If necessary, remove the side handles from the tool cabinet.

To install the hanger, position it over the holes in the tool cabinet and attach using four M6 x 20 counter sink screws. Tighten securely.



EVA LINER INSTALLATION

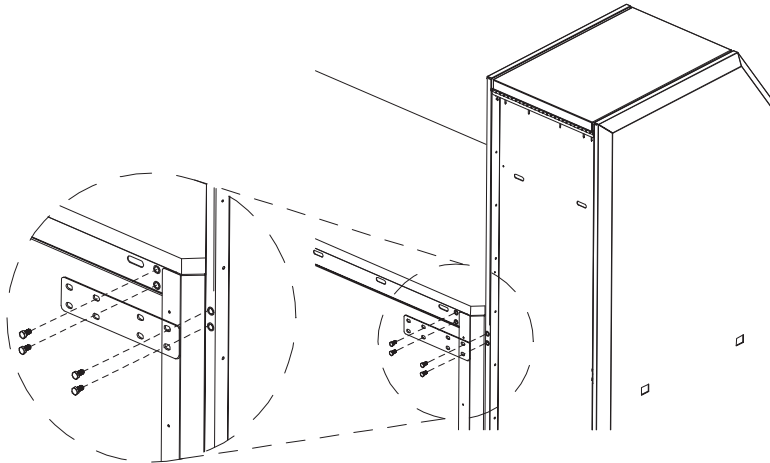
Attach two EVA liners to the side locker in the locations indicated.



SIDE LOCKER-CABINET CONNECTION

Remove the end covers from the side panel of the side locker. Hang the side locker on your tool cabinet.

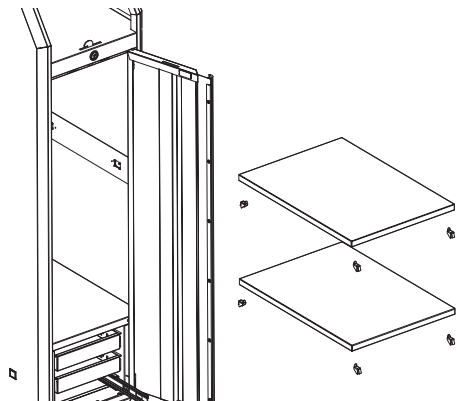
Position the connector on the back of the side locker and tool cabinet. Attach to the side locker using two M6 x 12 hex bolts and to the tool cabinet with two M6 x 12 hex bolts.



SHELF INSTALLATION

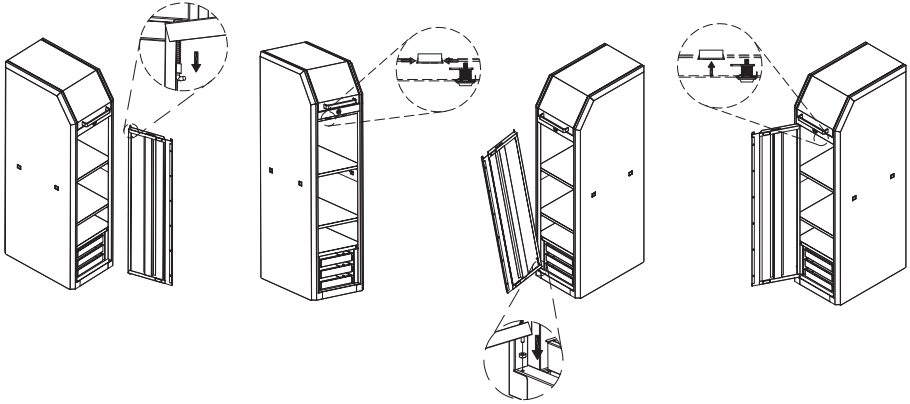
Insert shelf supports inside the side locker at the desired heights.

Place the shelves on the shelf supports.



DOOR REVERSAL

To reverse the door, pull off the pivot and remove the door. Then install the door on the other side by inserting the pivot. Be sure to move the mat on the bottom of the door and the magnet to the other side.

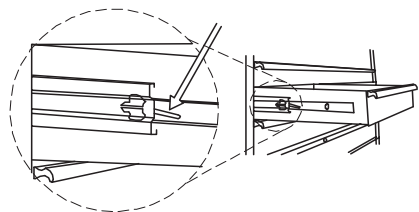
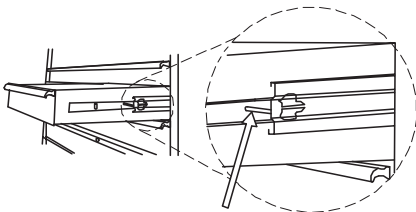


DRAWER REMOVAL

Pull the drawer out so that it's almost fully extended. Push up on the black release lever on one side, while pushing down on the black release lever on the other side. While holding the levers in these positions, pull the drawer outward until it is released from the drawer slide.

ONE SIDE – PUSH UP

OTHER SIDE – PUSH DOWN



DRAWER REPLACEMENT

Extend the drawer slides from the unit. Insert the brackets on each side of the drawer into the slots in the slides, being careful that they are properly positioned. Once properly inserted, completely close the drawer to set the slides in position.

MAINTENANCE

Periodically clean the drawer fronts, trim, and other surfaces with mild detergent and water.

Lubricate the slides (twice a year) with a product like WD40 or other quality lubricant. This is especially important in low temperatures, which can cause the bearing to become stiff.

Grease and oil can be removed with most standard cleaning fluids. For safety, use a nonflammable cleaning fluid.

SAFETY

Changes or modifications to this unit not expressly approved by the party responsible for compliance could void the user's authority to operate the equipment.

Close the cover and lock the door before moving this product.

DO NOT stand or lean on this product.

WEAR SAFETY GLASSES when removing or repositioning the slides. The tool could slip, which may cause personal injury.

BE CAREFUL when opening more than one drawer. The product could become unstable and tip, which may cause personal injury or product damage.

DO NOT mount this product on a truck bed or any other moving object. This may cause personal injury or product damage, and will void the warranty.

Secure this product properly before moving it with a forklift.

Keep the product on level surfaces. The product could become unstable and tip if stored or moved on an uneven surface, which may cause personal injury or product damage.



This product is warranted to be free from defects in materials and workmanship for a period of five (5) years from the date of original purchase.

If this product is defective, email service@montezumastorage.com or call 1-800-459-4409 (Monday–Friday, 8:00 am–4:30 pm, CST). If the product is defective, we will replace the defective part at no cost to you.

Please do not ship your product back to the store or to us unless we send you written instructions for return.

In the event it becomes necessary for your product to be returned, we will notify you how to proceed.

A copy of your original purchase receipt must accompany the returned product.



Manufactured by:

QUALITY CRAFT

Surrey, BC, Canada V3S 5N4

service@montezumastorage.com

1-800-459-4409

(Monday to Friday, 8:00 am–4:30 pm, CST)

Made in China