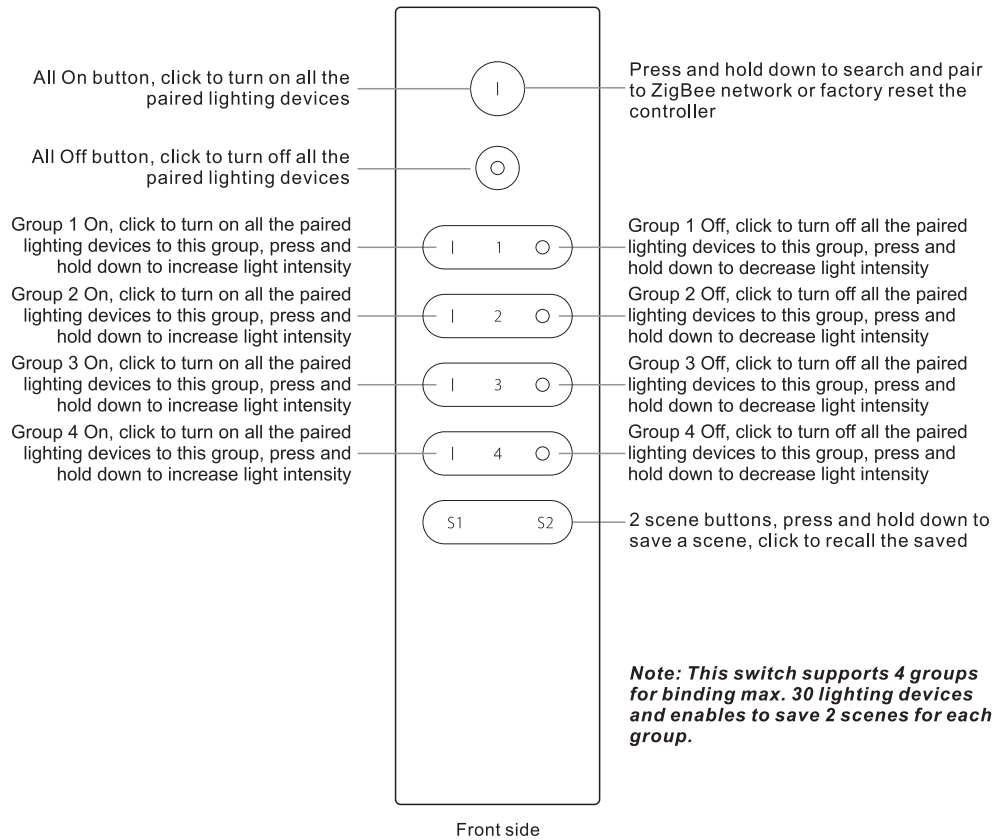


Vesternet Zigbee Remote Control - 12 Button



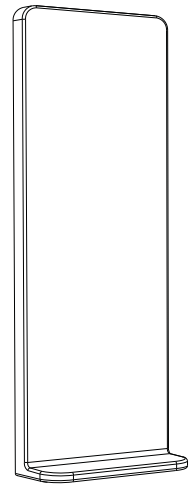
VES-ZB-REM-013

Important: Read All Instructions Prior to Installation
Function introduction



Product Data

Protocol	ZigBee 3.0
Operation Voltage	3VDC (CR2032)
Transmission Frequency	2.4GHz
Transmission Range (free field)	30m
Protection Type	IP20
Dimming Range	0.1%-100%
Dimension	150x38.6x12mm
Protection Grade	IP20



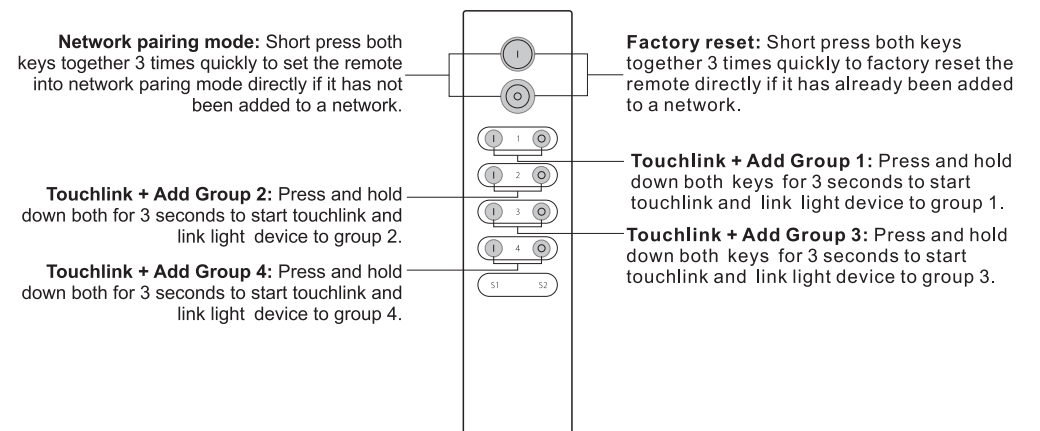
Magnetic Bracket

- ZigBee dimmer switch based on ZigBee 3.0
- Enables to pair ZigBee lighting devices via touchlink commissioning without coordinator
- Supports find and bind mode to pair with ZigBee lighting devices in the same network
- Supports 4 groups for binding max. 30 lighting devices
- 2.4 GHz global operation
- Long battery life mesh technology
- Transmission range up to 30m
- Compatible with universal ZigBee Gateway products
- Compatible with universal single color ZigBee lighting devices

Safety & Warnings

- This device contains a button lithium battery that shall be stored and disposed properly.
- DO NOT expose the device to moisture.

Quick Start (Simplified Operations Compared to Standard Operations in "Operation" part)



ZigBee Clusters Supported by This Remote Are As Follows:

Input clusters:

- Basic
- Power Configuration
- Identify
- Diagnostics

Output clusters:

- Identify
- Scenes
- Group
- On/off
- Level control
- Ota

Operation

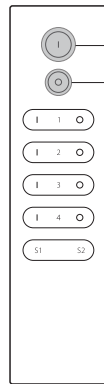
1. This ZigBee Dim remote is a wireless transmitter that communicates with a variety of ZigBee compatible systems. This transmitter sends wireless radio signals that are used to remotely control a compatible system.

2. This ZigBee remote supports 4 groups for binding max. 30 lighting devices and enables to control single color ZigBee lighting devices.

3. Zigbee Network Pairing through Coordinator or Hub (Added to a Zigbee Network)

Step 1: Remove the remote from previous zigbee network if it has already been added to it, otherwise pairing will fail. Please refer to the part "Factory Reset Manually".

Step 2: From your zigbee controller or hub interface, choose to add device or accessory and enter Pairing mode as instructed by the controller.

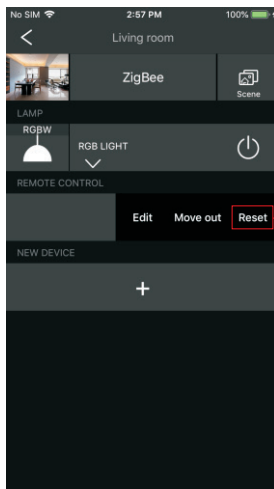


Step 3: Press and hold down until LED indicator turns on.

Step 4: Immediately short press to search nearby network, indicator flashes every 1 second, 20 seconds timeout if there is no network. Indicator will then blink 5 times quickly for successful pairing.

Note: 1) After pairing successfully, the remote information will appear on the controller or hub interface.
2) No remote information will appear on the hub interface if pairing to Philips Hue Bridge.

4. Removed from a Zigbee Network through Coordinator or Hub Interface



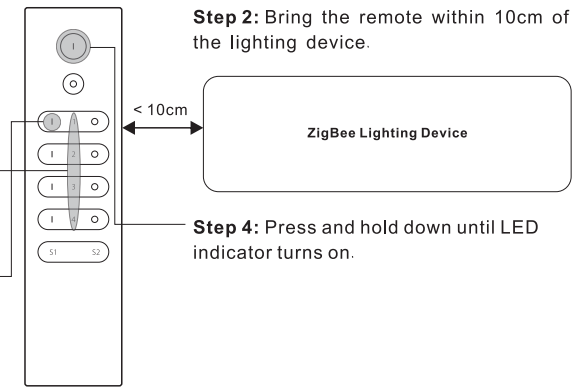
From your ZigBee controller or hub interface, choose to delete or reset the remote as instructed, indicator flashes 3 times quickly to indicate successful removing.

5. TouchLink to a Zigbee Lighting Device

Step 1: Set the zigbee lighting device to start TouchLink commissioning, please refer to its manual to learn how.

Step 3: Short press ON button | of group 1/2/3/4 to choose a group that you would like to pair the device to.

Step 5: Short press to start TouchLink pairing procedure of the remote. LED indicator will flash fast for 3s to start TouchLink and then flash 6 times slowly to indicate successful pairing to the device.



Step 2: Bring the remote within 10cm of the lighting device.

Step 4: Press and hold down until LED indicator turns on.

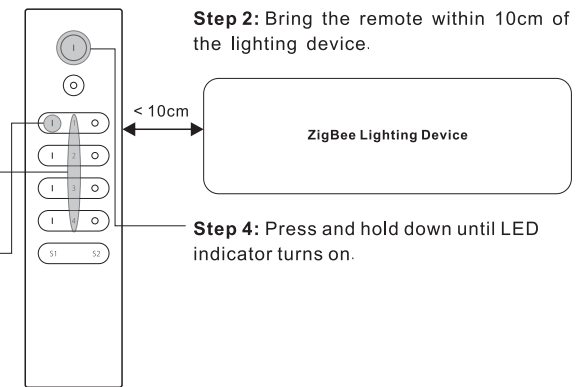
Note: 1) Directly TouchLink (both not added to a ZigBee network), each remote can link with 30 devices.
2) TouchLink after both added to a ZigBee network, each remote can link with max. 30 devices.
3) For Hue Bridge & Amazon Echo Plus, add remote and device to network first then TouchLink.
4) After TouchLink, the remote can control the linked lighting devices.

6. Remove a Touchlink Paired ZigBee Lighting Device

Step 1: Set the Touchlink paired zigbee device to start TouchLink commissioning, please refer to its manual to learn how.

Step 3: Short press ON button | of group 1/2/3/4 to choose a group that the device was linked to.

Step 5: Immediately short press twice to start TouchLink removing of the remote. LED indicator flashes fast for 3S, then flash 6 times slowly to indicate successful removing.



Step 2: Bring the remote within 10cm of the lighting device.

Step 4: Press and hold down until LED indicator turns on.

7. Factory Reset Manually

Step 1: Press and hold down until LED indicator turns on.

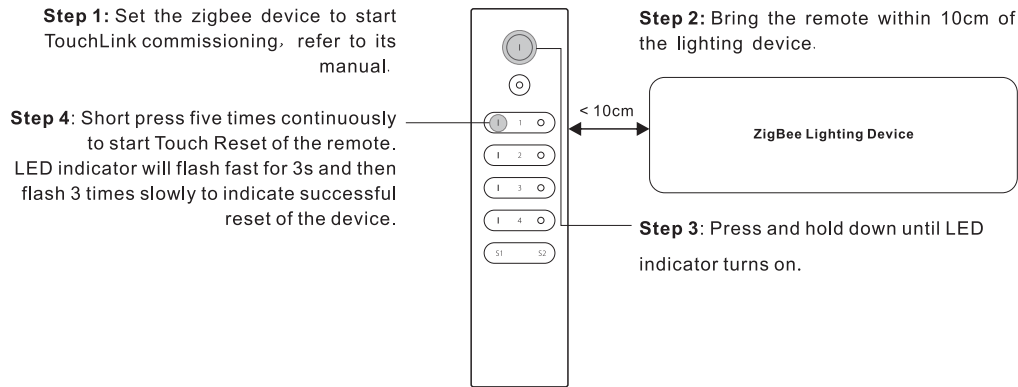
Step 2: Immediately short press 5 times continuously, indicator flashes 3 times quickly to indicate successful reset.

Note: All configuration parameters will be reset after the remote is reset or removed from the network.



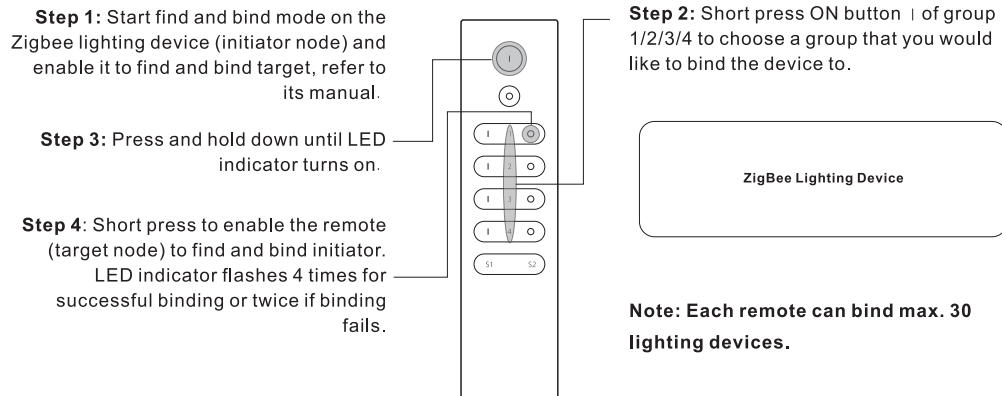
8. Factory Reset a Lighting Device (Touch Reset)

Note: the device shall be added to a network, the remote added to the same one or not added to any network.

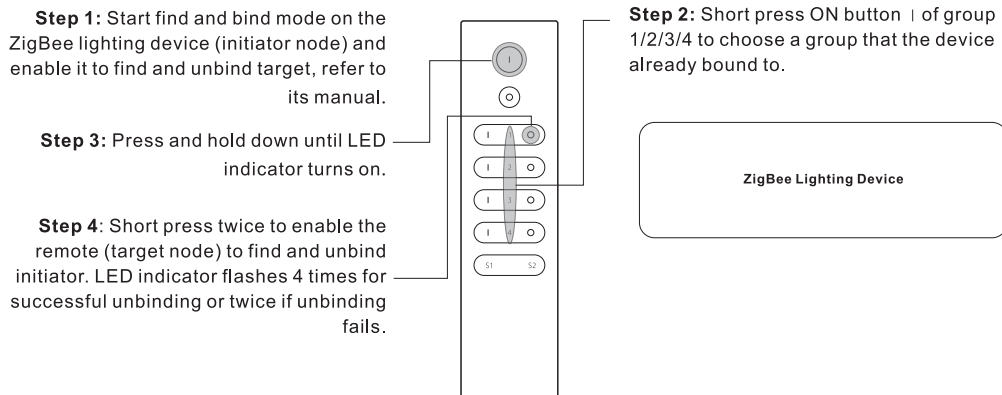


9. Find and Bind a Zigbee Lighting Device

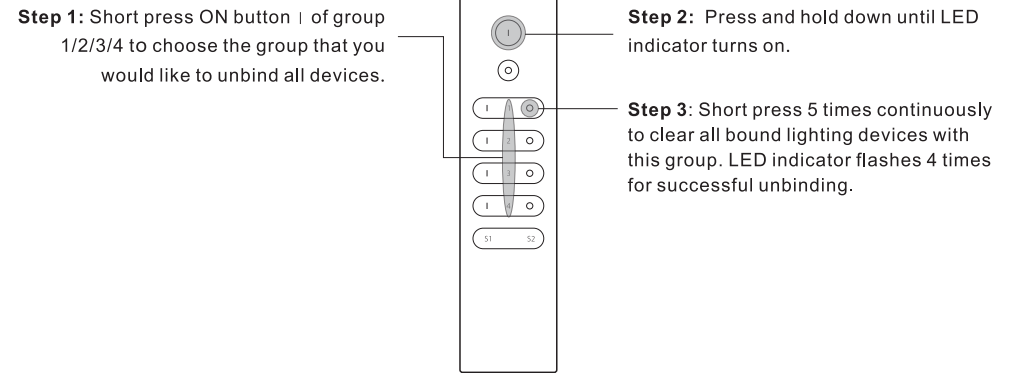
Note: Make sure the device and remote already added to the same zigbee network.



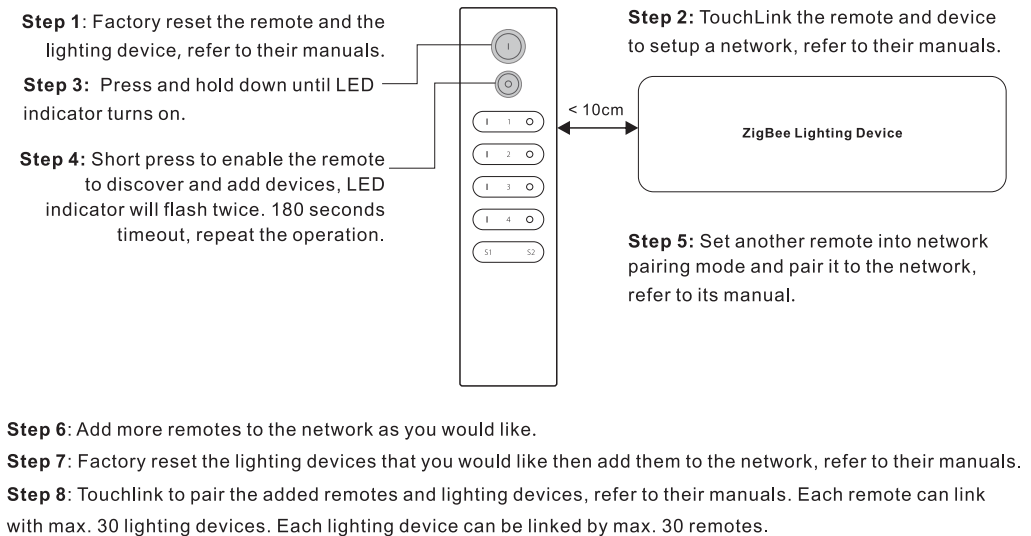
10. Find and Unbind a Zigbee Lighting Device



11. Clear All Find and Bind Mode Paired Lighting Devices of a Group

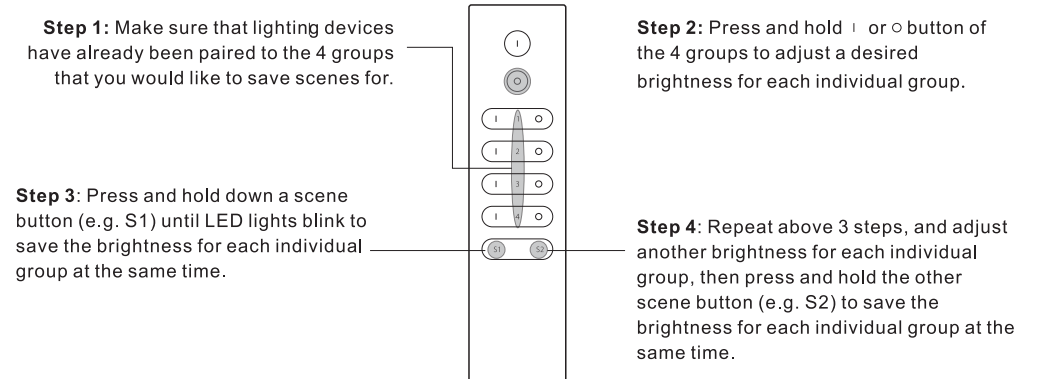


12. Setup a Network & Add Devices to the Network (No Coordinator or Hub Required)



13. How to Save and Recall Scenes

1) Save Scenes



2) Recall the Saved Scenes

Step 1: Short press button S1/S2 to recall a saved scene for each individual group at the same time.

14. OTA

The remote supports firmware updating through OTA, and will acquire new firmware from zigbee controller or hub every 10 minutes automatically.

15. How to Check Whether the Remote Belongs to a Network or not

Activate the remote by clicking All On/Off button (indicator on), then short press any other buttons except group buttons, indicator blinking 3 times means the remote does not belong to any network, blinking once or twice means it has already been added to a network.

16. Battery Power Monitor Function

The remote will report battery power value to the coordinator under following situations:

- When powered on.
- When short pressing both | and ○ buttons of group 1 simultaneously.
- When operating the switch to send data packets (over 4 hours since last operation).
- When added to the network by a coordinator.