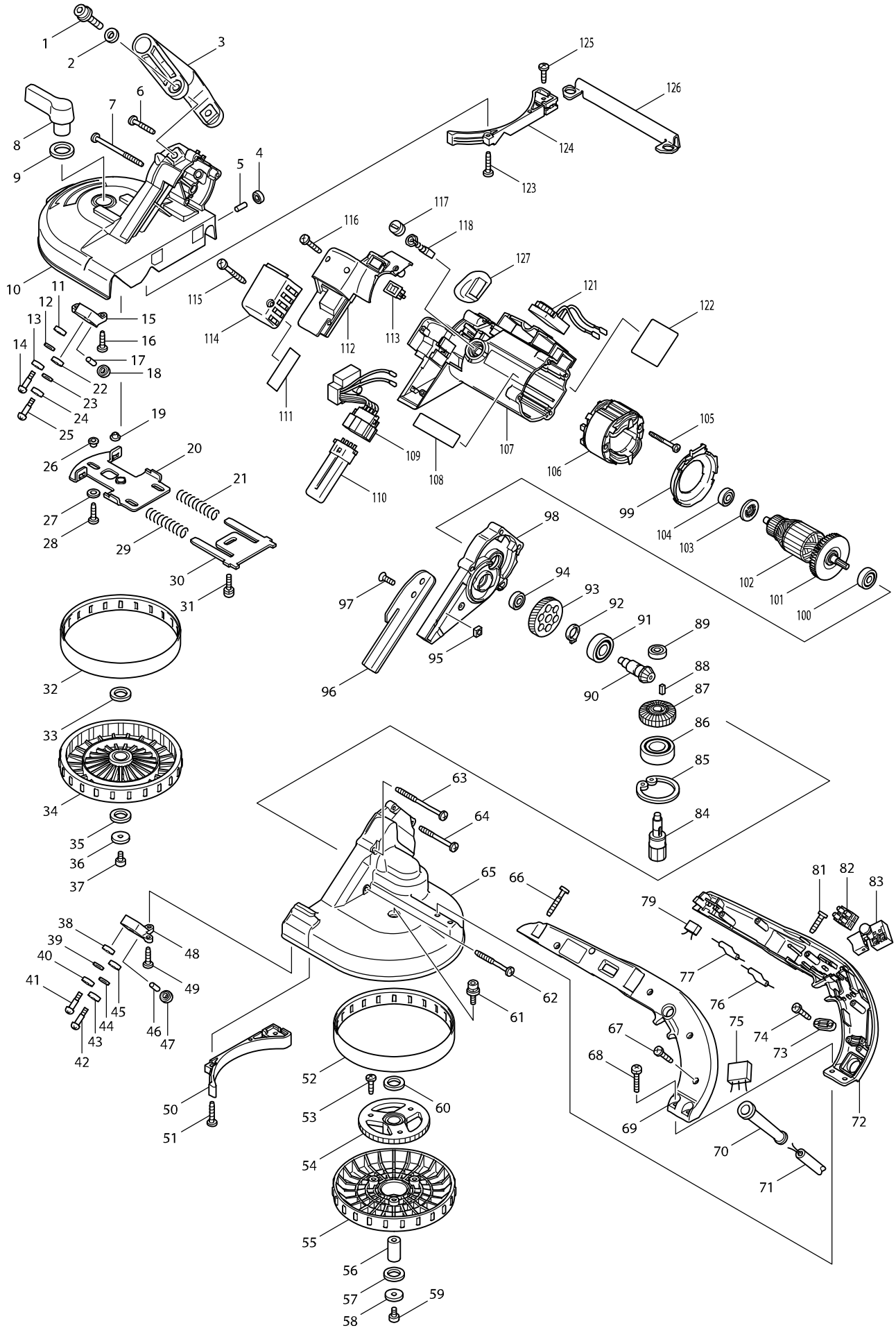
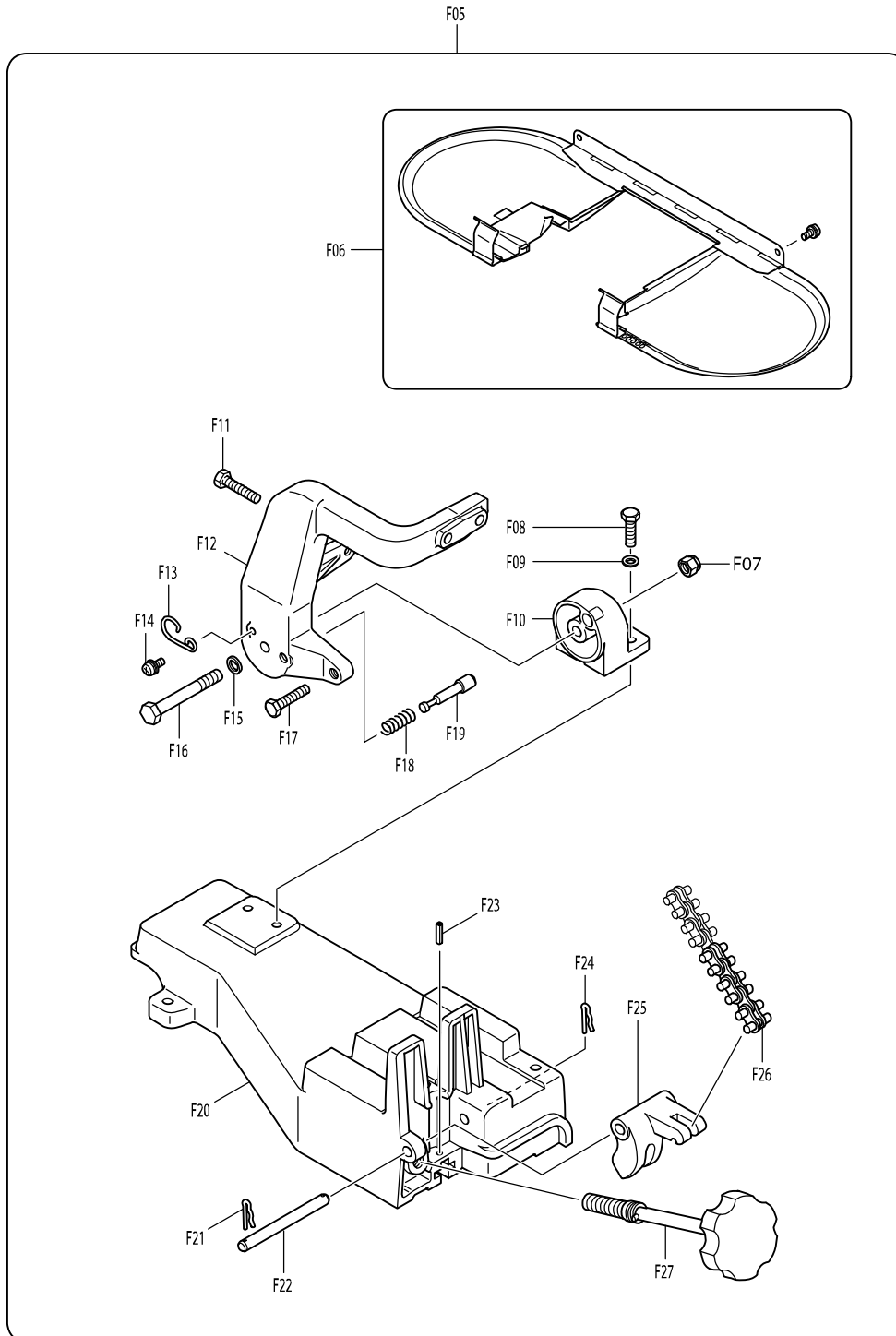


Model No. 2107F PORTABLE BAND SAW



Model No. 2107F PORTABLE BAND SAW



Model No. 2107F PORTABLE BAND SAW

| Item | Parts No. | Description | I/C | Qty | N/O | Opt. 1 | Opt. 2 | Note |
|-------|-----------|-----------------------------|-----|-----|-----|--------|--------|------|
| 001 | 922456-6 | HEX. SOCKET HEAD BOLT M8X35 | | 2 | | | | |
| 002 | 941202-8 | FLAT WASHER 8 | | 2 | | | | |
| 003 | 273614-0 | GRIP | | 1 | | | | |
| 004 | 210033-9 | BALL BEARING 696ZZ | | 1 | * | | | |
| 004-1 | 143517-1 | BLADE GUIDE COMPLETE | S | 1 | | | | |
| 005 | 256033-5 | PIN 6 | | 1 | * | | | |
| 005-1 | 268225-4 | PIN 5 | S | 1 | | | | |
| 006 | 265999-8 | TAPPING SCREW 4X25 | | 2 | | | | |
| 007 | 266147-2 | TAPPING SCREW 4X55 | | 2 | | | | |
| 008 | 272223-2 | LEVER 60 | | 1 | | | | |
| 009 | 267041-1 | FLAT WASHER 20 | | 1 | | | | |
| 010-2 | 158702-3 | FRONT WHEEL COVER COMPLETE | | 1 | | | | |
| C10 | 816212-3 | INDICATIONAL LABEL | | 1 | | | | |
| 011 | 210033-9 | BALL BEARING 696ZZ | | 1 | | | | |
| 012 | 941152-7 | FLAT WASHER 6 | | 1 | | | | |
| 013 | 210033-9 | BALL BEARING 696ZZ | | 1 | | | | |
| 014 | 251337-0 | + PAN HEAD SCREW M5 | | 1 | | | | |
| 015 | 317824-0 | UPPER HOLDER | | 1 | | | | |
| 016 | 266034-5 | TAPPING SCREW CT 4X16 | | 2 | | | | |
| 017 | 256033-5 | PIN 6 | | 1 | | | | |
| 018 | 210033-9 | BALL BEARING 696ZZ | | 1 | | | | |
| 019 | 343494-9 | SLEEVE 5 | | 1 | | | | |
| 020 | 163276-1 | SLIDE PLATE | | 1 | | | | |
| 021 | 231449-5 | COMPRESSION SPRING 11 | | 1 | | | | |
| 022 | 210033-9 | BALL BEARING 696ZZ | | 1 | | | | |
| 023 | 941152-7 | FLAT WASHER 6 | | 1 | | | | |
| 024 | 210033-9 | BALL BEARING 696ZZ | | 1 | | | | |
| 025 | 251337-0 | + PAN HEAD SCREW M5 | | 1 | | | | |
| 026 | 343494-9 | SLEEVE 5 | | 3 | | | | |
| 027 | 941051-3 | FLAT WASHER 4 | | 3 | | | | |
| 028 | 266034-5 | TAPPING SCREW CT 4X16 | | 3 | | | | |
| 029 | 231449-5 | COMPRESSION SPRING 11 | | 1 | | | | |
| 030 | 343489-2 | TENSION PLATE | | 1 | | | | |
| 031 | 911221-8 | PAN HEAD SCREW M5X16 | | 1 | | | | |
| 032 | 421333-4 | RUBBER TIRE | | 1 | | | | |
| 033 | 253749-3 | FLAT WASHER 16 | | 1 | | | | |
| 034 | 152325-9 | WHEEL COMPLETE | | 1 | | | | |
| 035 | 253749-3 | FLAT WASHER 16 | | 1 | | | | |
| 036 | 253010-8 | FLAT WASHER 6 | | 1 | | | | |
| 037 | 922312-0 | HEX. SOCKET HEAD BOLT M6X12 | | 1 | | | | |
| 038 | 210033-9 | BALL BEARING 696ZZ | | 1 | | | | |
| 039 | 941152-7 | FLAT WASHER 6 | | 1 | | | | |
| 040 | 210033-9 | BALL BEARING 696ZZ | | 1 | | | | |
| 041 | 251337-0 | + PAN HEAD SCREW M5 | | 1 | | | | |
| 042 | 251337-0 | + PAN HEAD SCREW M5 | | 1 | | | | |
| 043 | 210033-9 | BALL BEARING 696ZZ | | 1 | | | | |
| 044 | 941152-7 | FLAT WASHER 6 | | 1 | | | | |
| 045 | 210033-9 | BALL BEARING 696ZZ | | 1 | | | | |

Model No. 2107F PORTABLE BAND SAW

| Item | Parts No. | Description | I/C | Qty | N/O | Opt. 1 | Opt. 2 | Note |
|-------|-----------|-----------------------------|-----|-----|-----|--------|--------|------|
| 046 | 256033-5 | PIN 6 | | 1 | | | | |
| 047 | 210033-9 | BALL BEARING 696ZZ | | 1 | | | | |
| 048 | 317823-2 | LOWER HOLDER | | 1 | | | | |
| 049 | 266034-5 | TAPPING SCREW CT 4X16 | | 2 | | | | |
| 050 | 418784-0 | SAW GUARD HOLDER | | 1 | | | | |
| 051 | 266042-6 | TAPPING SCREW BIND CT 4X20 | | 2 | | | | |
| 052 | 421333-4 | RUBBER TIRE | | 1 | | | | |
| 053 | 266021-4 | TAPPING SCREW 5X20 | | 3 | | | | |
| 054 | 154474-8 | GEAR COMPLETE | | 1 | * | | | |
| 054-1 | 140140-3 | GEAR COMPLETE | < | 1 | | | | |
| 055-1 | 419506-1 | WHEEL | | 1 | | | | |
| 056 | 324513-0 | LOWER SHAFT | | 1 | | | | |
| 057 | 253749-3 | FLAT WASHER 16 | | 1 | | | | |
| 058 | 253010-8 | FLAT WASHER 6 | | 1 | | | | |
| 059 | 922312-0 | HEX. SOCKET HEAD BOLT M6X12 | | 1 | | | | |
| 060 | 253749-3 | FLAT WASHER 16 | | 1 | | | | |
| 061 | 922323-5 | HEX.SOCKET HEAD BOLT M6X16 | | 1 | | | | |
| 062 | 266203-8 | TAPPING SCREW BIND CT 4X40 | | 1 | | | | |
| 063 | 266147-2 | TAPPING SCREW 4X55 | | 2 | | | | |
| 064 | 266048-4 | TAPPING SCREW 4X40 | | 2 | | | | |
| 065-1 | 317847-8 | REAR WHEEL COVER | | 1 | | | | |
| 066 | 265995-6 | TAPPING SCREW 4X18 | | 2 | | | | |
| 067 | 265995-6 | TAPPING SCREW 4X18 | | 5 | | | | |
| 068 | 911243-8 | PAN HEAD SCREW M5X25 | | 2 | | | | |
| 069 | 183869-8 | HANDLE SET | | 1 | | | | |
| D10 | | INC. 72 | | | | | | |
| 070 | 682573-1 | CORD GUARD 10 | | 1 | | | | |
| 071 | 692527-0 | POWER SUPPLY CORD 1.0-2-2.5 | | 1 | | | | |
| 072 | 183869-8 | HANDLE SET | | 1 | | | | |
| D10 | | INC. 69 | | | | | | |
| 073 | 687052-4 | STRAIN RELIEF | | 1 | | | | |
| 074 | 265995-6 | TAPPING SCREW 4X18 | | 2 | | | | |
| 081 | 266042-6 | TAPPING SCREW BIND CT 4X20 | | 2 | | | | |
| 082 | 654531-7 | TERMINAL BLOCK 2P | | 1 | | | | |
| 083 | 651284-9 | SWITCH SGEL115CDY-6 | | 1 | | | | |
| 084 | 227139-6 | SPUR GEAR 8 | | 1 | | | | |
| 085 | 962203-3 | RETAINING RING R-47 | | 1 | | | | |
| 086 | 211306-3 | BALL BEARING 6204LLB | | 1 | | | | |
| 087 | 227470-0 | SPIRAL BEVEL GEAR 29 | | 1 | | | | |
| 088 | 254202-2 | KEY 4 | | 1 | | | | |
| 089 | 211031-6 | BALL BEARING 608LLB | | 1 | * | | | |
| 089-1 | 210029-0 | BALL BEARING 608ZZ | O | 1 | | | | |
| 090 | 227481-5 | SPIRAL BEVEL GEAR 11 | | 1 | | | | |
| 091 | 211206-7 | BALL BEARING 6202LLB | | 1 | * | | | |
| 091-1 | 211241-5 | BALL BEARING 6202DDW | O | 1 | | | | |
| 092 | 961055-9 | RETAINING RING S-15 | | 1 | | | | |
| 093 | 226593-1 | HELICAL GEAR 64 | | 1 | | | | |
| 094 | 211031-6 | BALL BEARING 608LLB | | 1 | * | | | |

Model No. 2107F PORTABLE BAND SAW

| Item | Parts No. | Description | I/C | Qty | N/O | Opt. 1 | Opt. 2 | Note |
|-------|-----------|-----------------------------|-----|-----|-----|--------|--------|------|
| 094-1 | 210029-0 | BALL BEARING 608ZZ | O | 1 | | | | |
| 095 | 252157-5 | SQUARE NUT M6 | | 2 | | | | |
| 096 | 345467-8 | STOPPER PLATE | | 1 | | | | |
| 097 | 251981-3 | HEX. SOCKET HEAD BOLT M6X16 | | 2 | | | | |
| 098 | 154475-6 | GEAR HOUSING COMPLETE | | 1 | | | | |
| 099 | 418785-8 | BAFFLE PLATE | | 1 | | | | |
| 100-2 | 211092-6 | BALL BEARING 629DDW | | 1 | | | | |
| 101 | 241850-6 | FAN 60 | | 1 | | | | |
| 102-2 | 513583-6 | ARMATURE ASS'Y 220-240V | | 1 | | | | |
| D10 | | INC. 100,101,103,104 | | | | | | |
| 103 | 681644-1 | INSULATION WASHER | | 1 | | | | |
| 104 | 211031-6 | BALL BEARING 608LLB | | 1 | * | | | |
| 104-1 | 210029-0 | BALL BEARING 608ZZ | O | 1 | | | | |
| 105 | 266056-5 | TAPPING SCREW 5X45 | | 2 | | | | |
| 106 | 599032-7 | FIELD ASS'Y 220-240V | | 1 | | | | |
| C10 | 654020-2 | RING TERMINAL | | 2 | | | | |
| C20 | 654501-6 | CONNECTOR P-1.25 | | 2 | | | | |
| 107-1 | 154472-2 | MOTOR HOUSING COMPLETE | | 1 | | | | |
| C10 | 643708-9 | BRUSH HOLDER 5-11 | | 2 | | | | |
| 109 | 631641-7 | LIGHT CIRCUIT | | 1 | | | | |
| 110 | 193730-1 | FLUORESCENT LIGHT SET | | 1 | * | | | |
| 110-1 | 193730-1 | FLUORESCENT LIGHT SET | O | 1 | * | | | |
| 110-2 | 193730-1 | FLUORESCENT LIGHT SET | O | 1 | | | | |
| 111 | 418850-3 | LENZ | | 1 | | | | |
| 112 | 418782-4 | LAMP COVER | | 1 | | | | |
| 113 | 651514-8 | SWITCH SLE6A | | 1 | | | | |
| 114 | 418783-2 | LAMP BOX | | 1 | | | | |
| 115 | 266048-4 | TAPPING SCREW 4X40 | | 1 | | | | |
| 116 | 265935-4 | TAPPING SCREW 3X20 | | 3 | | | | |
| 117 | 643750-0 | BRUSH HOLDER CAP 7-11 | | 2 | * | | | |
| 117-1 | 643515-0 | HOLDER CAP 7-11 | O | 2 | | | | |
| 118 | 191963-2 | CARBON BRUSH CB-303 | | 1 | | | | |
| 121 | 631639-4 | CONTROLLER | | 1 | | | | |
| 122 | 860922-4 | NAME PLATE 2107F | | 1 | | | | |
| 123 | 266042-6 | TAPPING SCREW BIND CT 4X20 | | 2 | | | | |
| 124 | 418784-0 | SAW GUARD HOLDER | | 1 | | | | |
| 125 | 266034-5 | TAPPING SCREW CT 4X16 | | 1 | | | | |
| 126 | 345468-6 | SAW GUARD | | 1 | * | | | |
| 126-1 | 346669-9 | SAW GUARD | < | 1 | | | | |
| 127 | 421885-5 | CAP | | 1 | | | | |
| A01 | 410048-8 | WRENCH HOLDER 3.4 | | 1 | | | | |
| A02 | 792559-8 | BAND SAW BLADE 18 (C.STEEL) | | 1 | | | | |
| A03 | 783202-0 | HEX. WRENCH 4 | | 1 | | | | |
| | | | | | | | | |
| | | | | | | | | |
| | | | | | | | | |
| | | | | | | | | |
| | | | | | | | | |