

newair®

EC300W

Evaporative Air Cooler



OWNERS MANUAL

Read and save these instructions.



A Name You Can Trust

Trust should be earned and we will earn yours. Customer happiness is the focus of our business.

From the factory to the warehouse, from the sales floor to your home, the whole NewAir family promises to provide you with innovative products, exceptional service, and support when you need it the most.

Count on NewAir.

As a proud NewAir owner, welcome to our family. There are no robots here, real people shipped your product and real people are here to help you.

Contact Us:

For questions regarding your product, please contact us at:

Call: 1-855-963-9247
Email: support@newair.com
Online: www.newair.com

Connect with Us:



Facebook.com/newairusa



Instagram.com/newairusa



YouTube.com/newairusa



Twitter.com/newairusa

For future reference, we recommend you attach a copy of your sales receipt here and record the following information. You will need this information if it becomes necessary to contact the manufacturer for service inquiries.

Date of Purchase: _____

Serial Number: _____

Model Number: _____

READ AND SAVE THESE INSTRUCTIONS.

TABLE OF CONTENTS

Specifications	3
Register Your Product Online.....	4
Safety Information & Warnings	5
Parts List.....	7
Features	8
Operating Instructions	9
Filling The Water Tank	9
Using The Remote Control	11
The Control & Display Panels.....	12
Cleaning and Maintenance	17
Product storage.....	17
Troubleshooting.....	18
Limited Manufacturer's Warranty	19

SPECIFICATIONS

MODEL NO	EC300W
RATED VOLTAGE	120 V~
RATED FREQUENCY	60 Hz
RATED POWER	110W
NOISE (STRONG MODE)	≤60dB
AIRFLOW	600CFM
DIMENSIONS	390.3mm×342mm×897.3mm
NET WEIGHT	8kg
WARRANTY	1 Year Manufacturer's Warranty

REGISTER YOUR PRODUCT ONLINE

Register Your NewAir Product Online Today!

Take advantage of all the benefits product registration has to offer:



Service and Support

Diagnose troubleshooting and service issues faster and more accurately



Recall Notifications

Stay up to date for safety, system updates and recall notifications



Special Promotions

Opt-in for NewAir promotions and offers

Registering your product information online is safe & secure and takes less than 2 minutes to complete:

Register.NewAir.com

Alternatively, we recommend you attach a copy of your sales receipt below and record the following information, located on the manufacturer's nameplate on the rear of the unit. You will need this information if it becomes necessary to contact the manufacturer for service inquiries.

Date of Purchase: _____

Serial Number: _____

Model Number: _____

SAFETY INFORMATION & WARNINGS



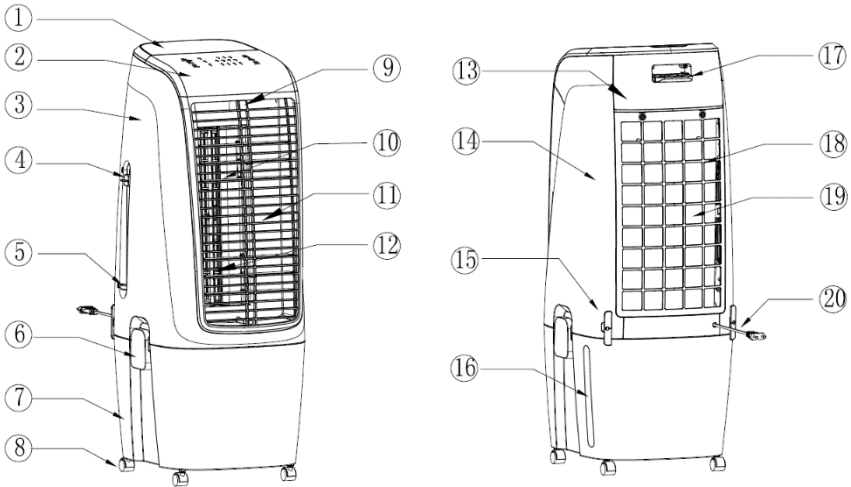
In order to use the product conveniently and to avoid any danger caused by wrong operation, please pay close attention to the warnings and instructions in this manual.

- The appliance is only for household and indoor use.
- **WARNING:** Unplug or disconnect the appliance from the power supply before user servicing or cleaning operation.
- This appliance has a polarized plug (one blade is wider than the other). To reduce the risk of electric shock, this plug is intended to fit in a polarized outlet only one way. If the plug does not fit fully in the outlet, reverse the plug. If it still does not fit, contact a qualified electrician. Do not attempt to defeat this safety feature.
- **WARNING-**To Reduce The Risk Of Fire Or Electric Shock, Do Not Use This Fan With Any Solid-State Speed Control Device.
- If the product has any failure, please send it to the repair station or notify the service center; do not disassemble or replace the parts. Disassembly or modification without permission will affect the safety of the product.
- Do not touch the power cord plug with wet hands. Risk of electrocution.
- Never insert wooden sticks, metal sticks and other objects into the inlet and the outlet. It may cause leakage, short circuit and damage to the product.
- Do not spray insecticides and flammable sprays around the product. It may cause damage to the product.
- Avoid facing the product air vents directly at children. It may cause illness.
- Do not pull the cord when removing the power plug. It may cause power cord damage, electric leakage and other hazards.
- Ensure that foreign bodies do not stick themselves to the power plug. It will lead to the risk of electric leakage.

- Exception handling; If you perceive an unpleasant smell or hear abnormal noises during use, immediately stop using and unplug from the power source.
- Do not use exposed or damaged power cord. It may cause electric leakage, short circuit, or fire.
- If the power cord is damaged, it should be replaced by the manufacturer, authorized service center, or qualified personnel in order to avoid hazard.
- Do not bend the power cord or place heavy objects on it. It will lead to the risk of electric leakage.
- The water level of the tank shouldn't exceed the maximum level, and shouldn't be lower than the minimum level when the cooling/humidification function is turned on.
- After water is filled, do not tilt or collide while placing or moving, to prevent water splashing.
- If the product has been dumped and there is water inside, immediately pull out the plug and wait for 24 hours before restarting.
- When you go out or if the device won't be used for a long time, shut down and disconnect the power plug from the outlet.
- Do not use the device when there is an unattended child, animal, or handicapped person.
- Only use conforming power outlets for this unit. The power voltage must match the voltage on the nameplate of the unit. Please confirm the voltage before moving.
- During humidifying, it is prohibited to remove or install air filter screen and wet curtain bracket assembly. It may cause water drops spraying out of the air outlet.



PARTS LIST



1. Water filling box cover
2. Top cover
3. Left cover
4. Water pump (raised)
5. Water pump (lowered)
6. Water tank latch
7. Water tank
8. Casters
9. Remote control receiver
10. Horizontal louver

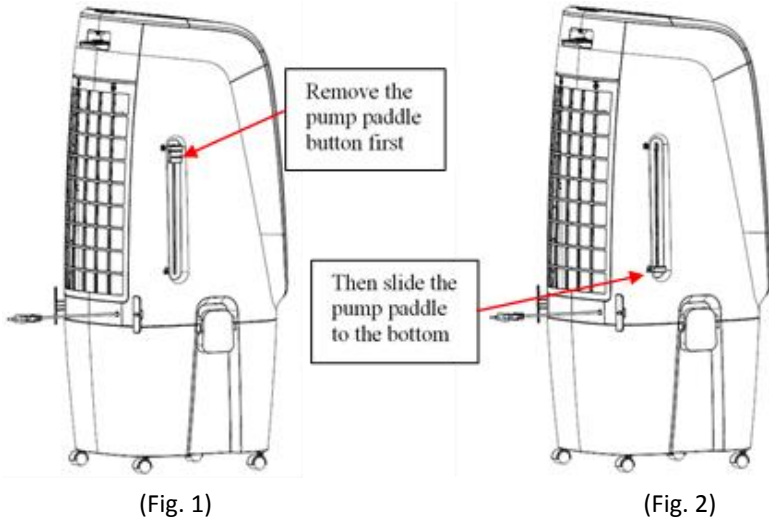
11. Front cover
12. Vertical louver
13. Back cover
14. Right cover
15. Power cord reel
16. Water gauge
17. Remote control
18. Dust-proof filter
19. Cooling pad
20. Power cord

FEATURES

1. Humidification and cooling function
2. Timing function: 1H, 2H, 4H, 8H;
3. Remote control;
4. Adding water from the top or taking out the water tank; water pump protection;
5. Four wind speed levels: high, medium, low, and silent;
6. Wind mode: Normal, natural, and sleep;
7. Touch-button control, LED display;
8. Automatic horizontal swinging, manual vertical swinging;
9. Universal roller design, easy to move;
10. Filter dry function;
11. Smart memory for unexpected power outage;
12. Prevent long time accidental working;
13. Power, shutdown, button sound reminder (power on: Bi Bi, button pressing: Bi, power off: Bi-)

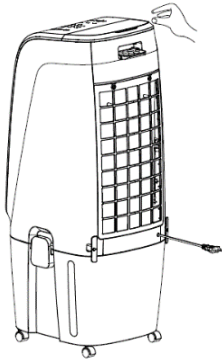
OPERATING INSTRUCTIONS

After taking out the product, first remove the pump paddle button as shown in Fig. 1, then slide the pump paddle to the bottom so that the pump extends down into the tank and allows normal operation.



FILLING THE WATER TANK

1. You need to add water to the tank if the cooler/humidifier function is turned on. The water can be filled from the top and by taking out the water tank.
2. From the top: First open the water filling box cover, and then slowly pour water into the tank with a kettle (Fig. 3 & 4), and then put the water filling cover in the original position.

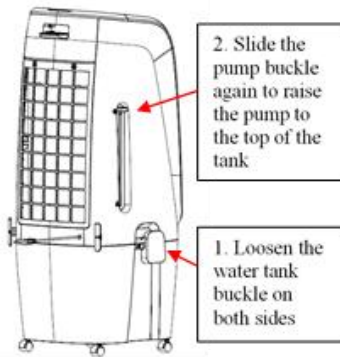


Open water filling cover (Fig. 3)

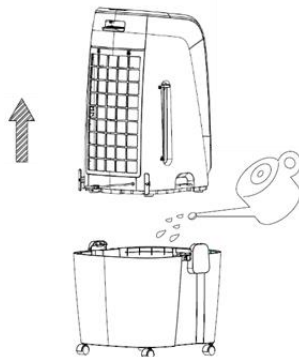


Fill water (Fig. 4)

3. Removing the water tank: Before adding water, first loosen the buckles on both sides, slide the pump buckle to move the pump to the tank top, take out the unit, then slowly pour water into the tank with a kettle (Fig. 5 & 6). After adding water, put the unit on the water tank, fasten the tank buckle, and slide the pump buckle to the tank bottom.

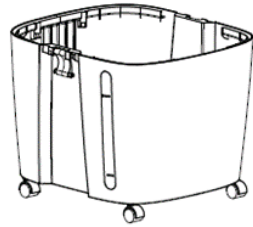


(Fig. 5)



(Fig. 6)

4. For manual water filling, please note the level indicator in front of the air cooler (Fig. 7)
 - a. Do not fill the water exceeding the maximum water level (Fig. 7).
 - b. Please remember to use clean tap water.
 - c. Tip: It is normal, non-toxic, and will not affect your health if the device has slight odor or the water in the tank has a slight discoloration when it is used for the first time.

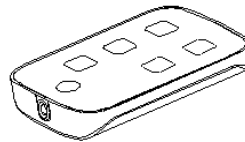


(Fig. 7)

USING THE REMOTE CONTROL

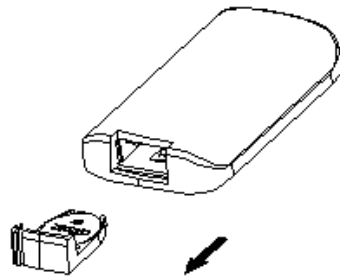
The EC300W is equipped with a remote control. A CR2032 3V coin-type replacement battery is included for your convenience.

Open the battery cover of the remote control, and insert a 3V CR2032 battery.



Please point to the receiver when using the remote control.

If the battery voltage is low, please open the battery cover as shown in the figure and replace with new battery (CR2032). Please note the positive pole and the negative pole of the battery; then put the battery cover back.



(Fig. 6)

THE CONTROL & DISPLAY PANELS



Note: The buzzer beeps twice when the power is first turned on, and the unit enters the standby state (power on sound: BiBi, button pressing sound: Bi, power off sound: Bi--). All buttons except On/Off are invalid.

ON/SPEED & OFF BUTTONS

1. In standby mode, all buttons except On/Off are invalid; press the On/Off to turn on the unit and it starts working. The initial wind speed of the unit is medium; it is normal mode and the corresponding LED turns on, but no timing, wind direction or cooler/humidifier function in this case.
2. When the unit is ON, press On/Off button then the unit will turn off and start standby. Press this On/Off button again, and the unit will resume last wind speed; if the wind speed is low or silent before shutdown, it starts from the medium wind and switches to low or silent wind after 3 seconds; if the wind speed is medium or high before shutdown, it starts with medium or high wind speed directly; the natural mode and sleep mode won't be memorized; in this case, the unit starts normal mode by default, and the swing function, timer, and humidifier are memorized
3. The wind speed can be converted in the following sequence: Silent → low → medium → high → silent... and so on. In this process, the wind speed LED changes accordingly.

COOLER/HUMIDIFIER BUTTON

When the unit is on, press this button to turn on/off the cooler/humidifier function. Press this button once to turn on the cooler/humidifier function, the pump turns on, and the cooler/humidifier LED turns on; press this button again to turn off the cooler/humidifier, and so on.

SWING

When the unit is on, press this button to switch on/off the wind direction function of left and right blades; press this button to turn on the swing function, and the swing LED turns on; press this button again to turn off the swing function, and so on.

TIMER

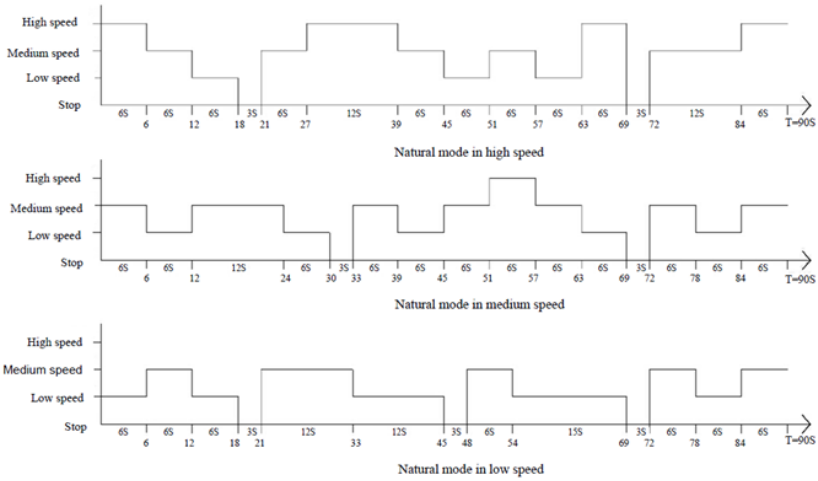
After turning on, the timer is turned off by default, and the timer LED is hidden. When you press this button, the timer cycles in the following sequence: 1H → 2H → 4H → 8H → Off → 1H → 2H ...; the time won't be accumulated. In this process, the timer LED changes accordingly.

MODE

The default mode after turning on is normal. You can press this button to switch between normal, natural, and sleep mode in the following sequence: normal → natural → sleep → normal... .. and so on. In this process, the mode LED changes accordingly (natural and sleep modes are unavailable at silent wind speed).

Press the Mode button to switch the mode, and the operations of various modes are as follows:

- a) Normal: Running at the set constant wind speed
- b) Natural: Running at changing wind speed; the indicator only shows the initial wind speed when the speed changes, while other changes are not indicated.



- c) Sleep: In natural sleep mode, the wind speed LED changes with the 30-minutes cycle change and does not change with the change of natural wind. The running rule of sleep wind is as follows
- High: 30 minutes high speed natural wind - 30 minutes medium speed natural wind - low speed natural wind (holding)
 - Medium: 30 minutes medium speed natural wind - low speed natural wind (holding)
 - Low: Low speed natural wind

ENVIRONMENTAL PROTECTION FUNCTION

If there is no operation for 60 seconds, all LEDs turn on semi-bright; when there is any operation, the LEDs enter fully bright state immediately, and so on.

WATER LEVEL PROTECTION FUNCTION

When the cooling function is turned on, the water pump works for 50 seconds, and if the program detects water level switch off (lack of water) for 5 seconds continuously, the pump stops working; the buzzer alarms for 10 seconds

SEPARATION POWER OFF FUNCTION

When the water pump is taken out from the tank, it turns off immediately. Humidifier function is invalid, while other functions are normal.

FILTER DRY

- a) After using the cooler/humidifier function, if you want to dry the cooling filter before packing, you can press the “speed” button for 3s to start the filter dry function.
- b) When filter dry function starts, the wind will run at high speed for 20 minutes and other functions are not available at the same time. The high speed LED will indicate on and off every 0.5s for 20 minutes until the unit turns off automatically when filter dry function finished.
- c) When using filter dry, all the buttons are not workable except “On/Off” button. If you turn off the unit before running filter dry for 20 minutes, the left filter dry timer can’t be memorized. If you re-start the unit to run filter dry, it’ll need to run another 20 minutes to finish the process.

POWER FAILURE MEMORY FUNCTION

- a) When turning on, the unit beeps 10 times when the power is restored after power failure, and there is no display or action; the unit waits 30 seconds and resumes the last state; if the power is interrupted in shutdown mode; the unit will still be off when the power is restored.
- b) If you press the ON button within 30 seconds when the power is restored, the last state is restored immediately.
- c) The countdown timer function also needs to be memorized, and each power failure allows no more than 5 minutes error (ignore the duration of power outage)

PREVENT LONG TIME ACCIDENTAL WORK

- a) This function can prevent the unit from long time work if the user forgets to turn off the unit or goes out when the power is cut and the power is restored later.
- b) This function requirement is as follows: The unit turns off automatically after continuous work of 15 hours if the timer is turned off. If the timer is turned on, the unit turns off at the set time.

UNINTERRUPTED MEMORY FUNCTION

When the unit is turned on in running state, it resumes the function before shutdown (except sleep and natural mode), and the timer also has uninterrupted memory function.

CLEANING AND MAINTENANCE

1. Do not use chemical agents for cleaning.
2. Turn off the power and unplug the power cord.
3. Always unplug the power cord before cleaning the device, or else it may cause electrocution.
4. If dust is accumulated on the surface, please wipe with soft cloth: if the surface is dirty, mix water lower than 122°F and neutral detergent, wipe with soft cloth and dry.
5. Do not use gasoline, thinner, or any substance that damages the surface easily for cleaning.

PRODUCT STORAGE

1. If the product won't be used for long, remove the water tank, drain the water, and then install the unit properly. Turn on air dryer function, fully dry the wet curtain, unplug the power cord, pack the unit properly to prevent dust, and place in a dry and ventilated place.

TROUBLESHOOTING

Problem	Possible Causes	Solution
The unit does not cool.	There is insufficient water in the tank.	Check the water level in the tank and make sure there is enough water.
	The water pump is not lowered all the way to the bottom.	Check the water pump to make sure it is lowered all the way to the bottom, then press the COOLER/HUMIDIFIER button.
	The cooler/humidifier button was not pressed.	Press the COOLER/HUMIDIFIER button.
	The pump is defective.	Contact customer service if there is an issue with the water pump.
The unit does not cool on high speed.	The cooling pad is not sufficiently saturated with water.	The cooling pad will be fully soaked after the unit runs for 10 minutes.
The empty tank indicator turns on when there is still enough water in the tank.	There is an issue with the water pump's sensor.	Clean the water pump by wiping it down with a damp cloth or try rinsing it with a water and vinegar solution.
The water tank is leaking.	The water tank is damaged.	Contact customer service if there is an issue with the water tank.

LIMITED MANUFACTURER'S WARRANTY

This appliance is covered by a limited manufacturer's warranty. For one year from the original date of purchase, the manufacturer will repair or replace any parts of this appliance that prove to be defective in materials and workmanship, provided the appliance has been used under normal operating conditions as intended by the manufacturer.

Warranty Terms:

During the first year, any components of this appliance found to be defective due to materials or workmanship will be repaired or replaced, at the manufacturer's discretion, at no charge to the original purchaser. The purchaser will be responsible for any removal or transportation costs.

Warranty Exclusions:

The warranty will not apply if damage is caused by any of the following:

- Power failure
- Damage in transit or when moving the appliance
- Improper power supply such as low voltage, defective household wiring or inadequate fuses
- Accident, alteration, misuse or abuse of the appliance such as using non-approved accessories, inadequate air circulation in the room or abnormal operating conditions (extreme temperatures)
- Use in commercial or industrial applications
- Fire, water damage, theft, war, riot, hostility or acts of God such as hurricanes, floods, etc.
- Use of force or damage caused by external influences
- Adjustments to temperature by removal of sticker and/or screw
- Partially or completely dismantled appliances

Obtaining Service:

When making a warranty claim, please have the original bill of purchase with purchase date available. Once confirmed that your appliance is eligible for warranty service, all repairs will be performed by a NewAir™ authorized repair facility. The purchaser will be responsible for any removal or transportation costs. Replacement parts and/or units will be new, re-manufactured or refurbished and is subject to the manufacturer's discretion. For technical support and warranty service, please email support@newairusa.com.